



PAUL'S PLAYHOUSES

Cool Play Structures & Playhouse Plans



Thanks for downloading the [Island Platform Plan!](#) Before beginning, I have provided a tool, lumber and hardware list for you to carefully go over. Many hardware stores offer a lumber delivery service and a bulk purchase discount, which I encourage you to take full advantage of to save time, money and hassle.

To make sure your framing is square, cross measure the corners to check if they're equal or use the [3,4,5 rule](#). When it comes to framing, use two, 3" decking screws to connect 2x4s together, three decking screws for 2x6s, etc.

When attaching 5/4" x 6" decking material, use two, 2" decking screws 3/4" away from the edges to attach them to framing. Check out this [page](#) for more comprehensive framing instructions. Make sure to paint all the exterior lumber to keep it safe from the rain and other elements. All exterior 2x and decking material should be pressure treated as it'll be out in the weather. Be advised that if an exact 8', 10' and 12' piece is required, you may still need to cut it as they can vary in length by up to an inch. Don't forget to also look at the [FAQ](#) page too.

Tools & Lumber that will be needed:

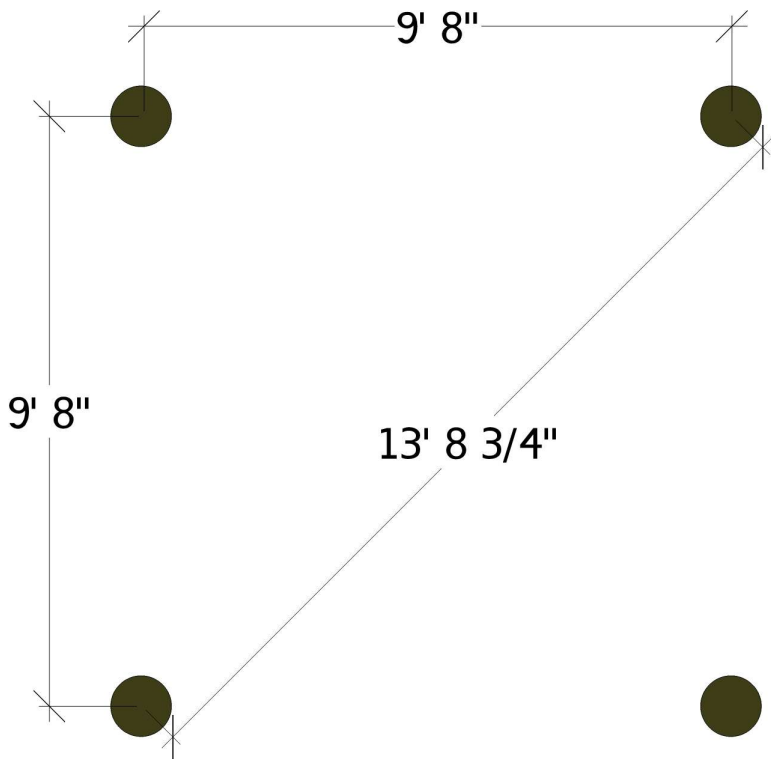
- | | | | |
|------------------------------------|--|-----------------------------------|------------------------------------|
| Pencils | Chalk Line (optional) | Measuring Tape | Speed Square |
| Hammer | Drill &/or Impact Driver | Circular Saw | Sander |
| Jig Saw (optional) | Miter Saw (optional) | Reciprocating saw | Compass (optional) |

Decking: (25) 5/4" x 6" x 12'	Framing: (6) 2" x 4" x 12' (6) 2" x 6" x 12' (12) 2" x 8" x 12' (2) 2" x 10" x 16'	Posts & Balusters (10) 4" x 4" x 8' (72) 2" x 2" x 36"
---	---	---

Hardware List:

[GRK 3" R4 Screws](#), [GRK 2.5" R4 Screws](#), [GRK 4" RSS Screws](#), [Play Accessories](#)

Constructing the Island Platform



Step 1: Digging holes

Four holes will need to be dug. No matter the angle of the grade, the center of the holes should always match the bird's eye view of the left illustration.

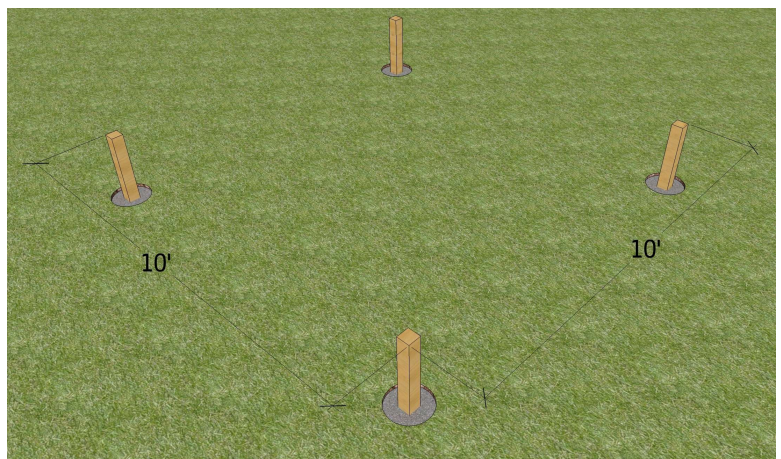
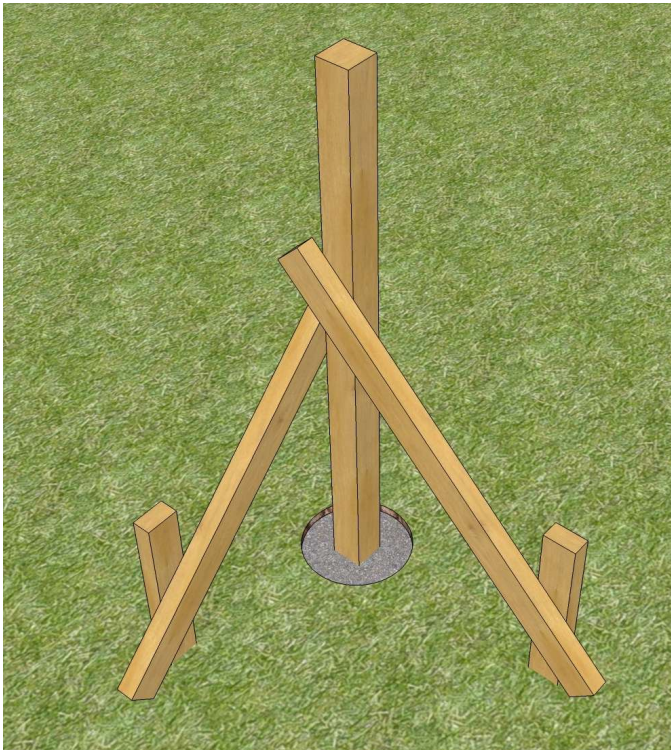
Check what the frost line is in your area and dig down accordingly. The holes should be approximately 12" in diameter.

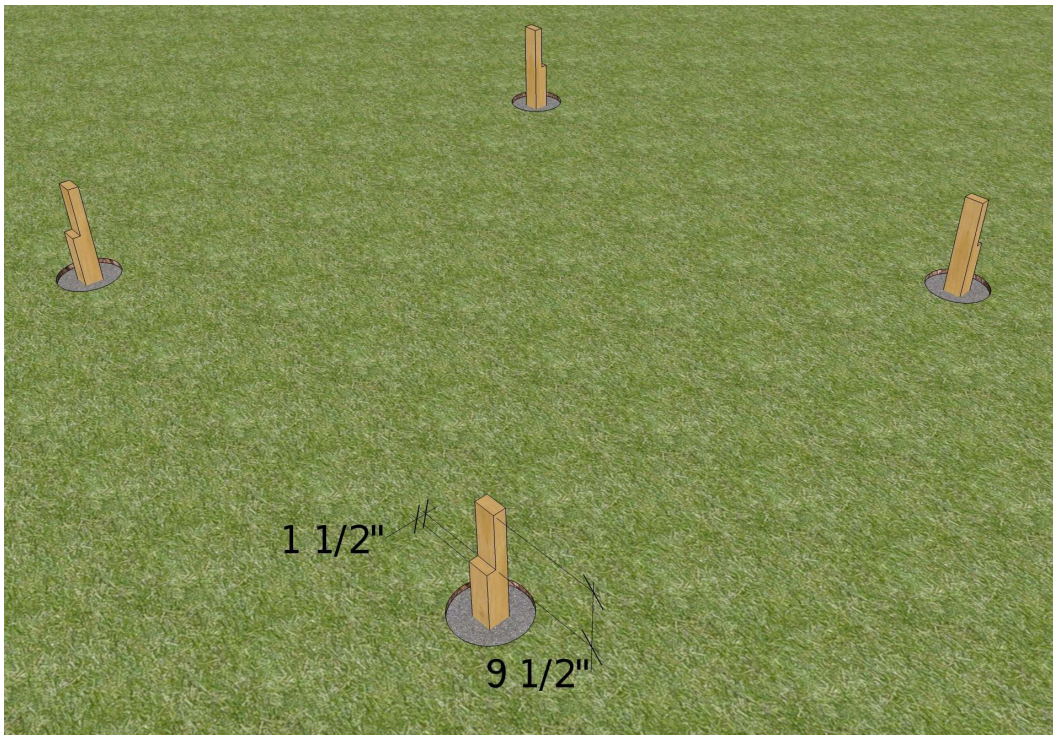
Step 2: Installing the Posts

Unless you have a severe ground slope or want your platform to be higher, an 8' 4x4 should be adequate for a single post.

Place each 4x4 in the four holes and plumb them with a level and two furring strips. After the post has been secured, fill the remainder of the hole with concrete, as depicted in the left illustration.

Repeat this four all four holes, as shown below.



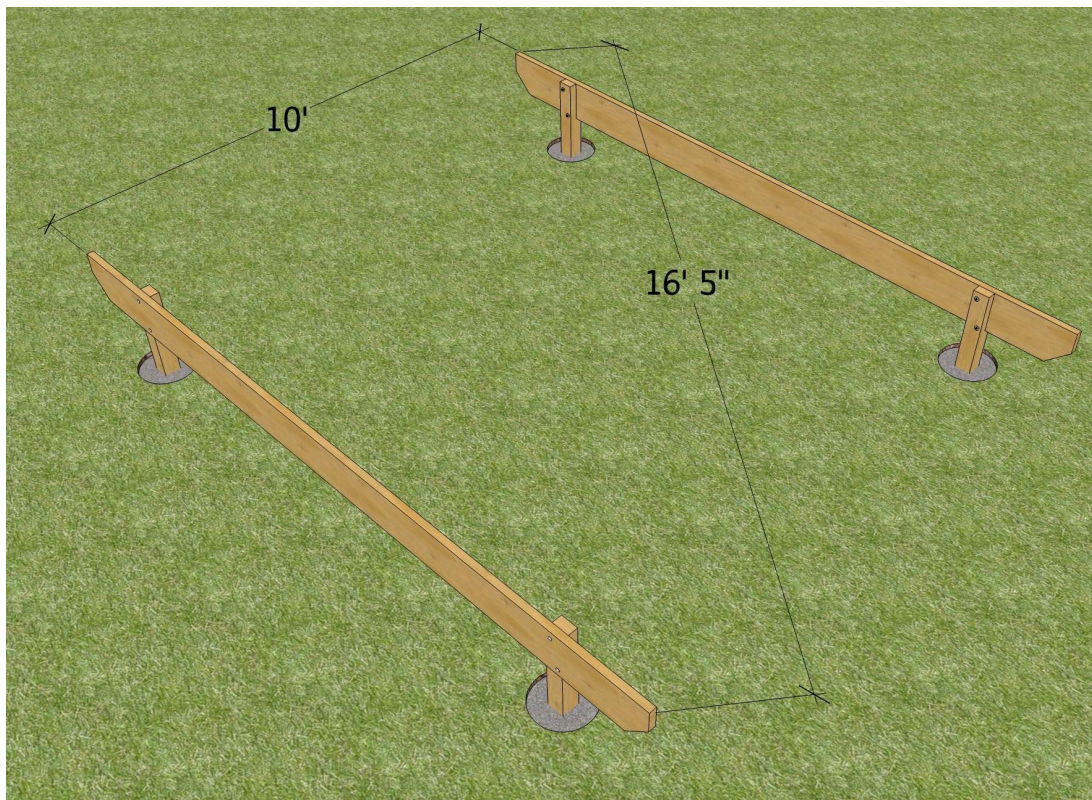
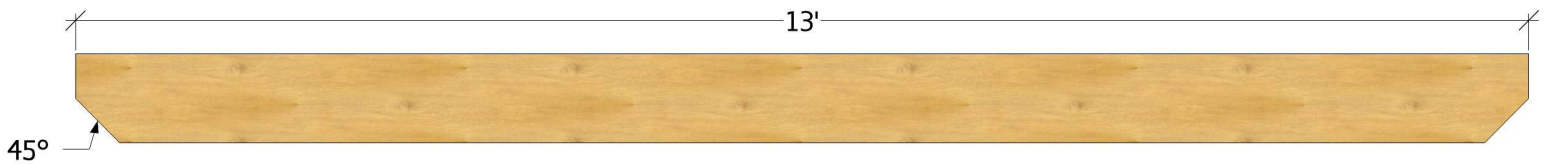


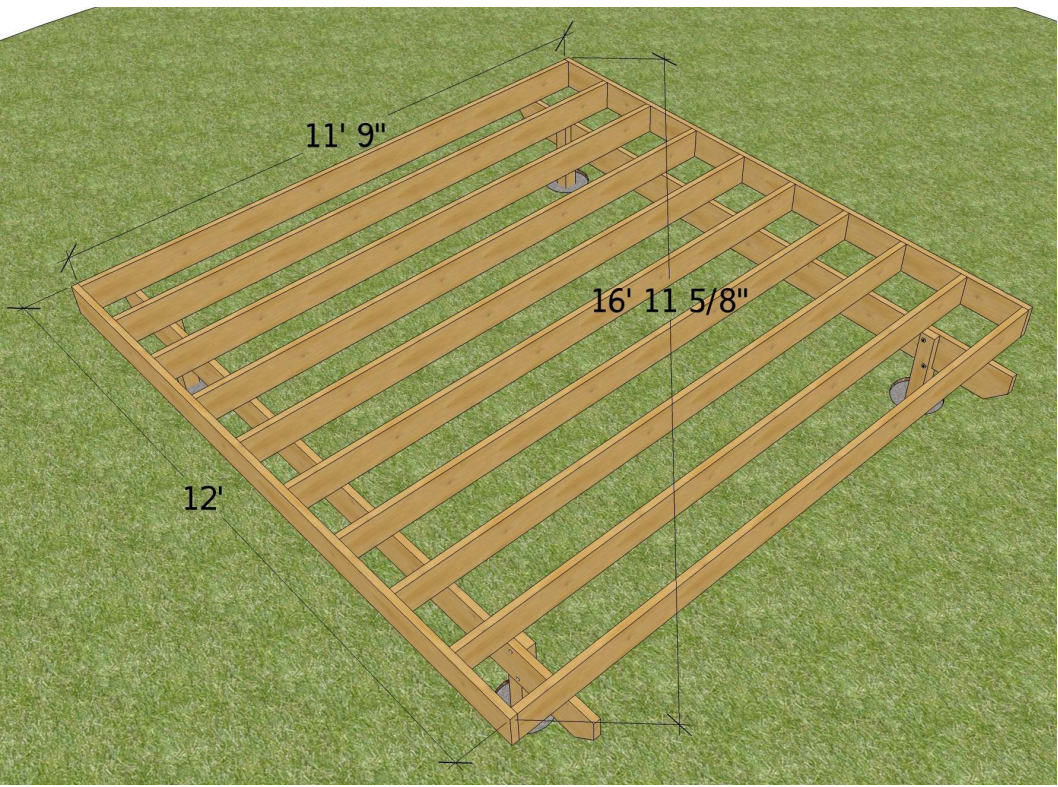
Step 3: Notching the posts

After the concrete has dried, the notches for the beams can be made in the posts. Use a [water level](#) to mark the bottom of where the notch will begin for all four of the posts. Once all four of the posts have been marked, make the 1 1/2" by 9 1/2" notch in each post as depicted in the left illustration.

Step 4: Beams

From (2) 2x10x16s, cut two 13' pieces. Install these pieces to the posts as depicted below. Be sure to have matching cross measurements to maintain squareness.



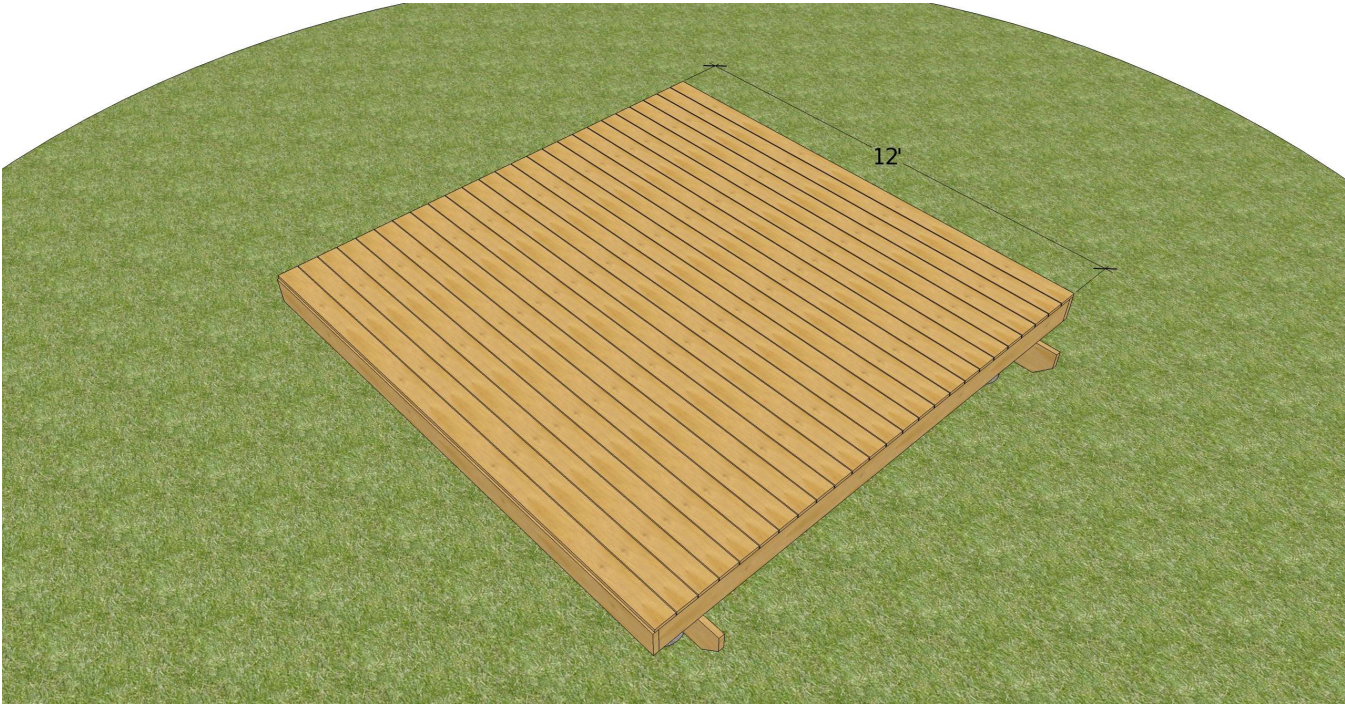


Step 5: Joists

From (12) 2x8x12s, cut ten 11' 9" pieces and two at 12'. Assemble these pieces together as depicted in the left illustration. Maintain a 16" on center joist layout. Be sure to have matching cross measurements to maintain squareness.

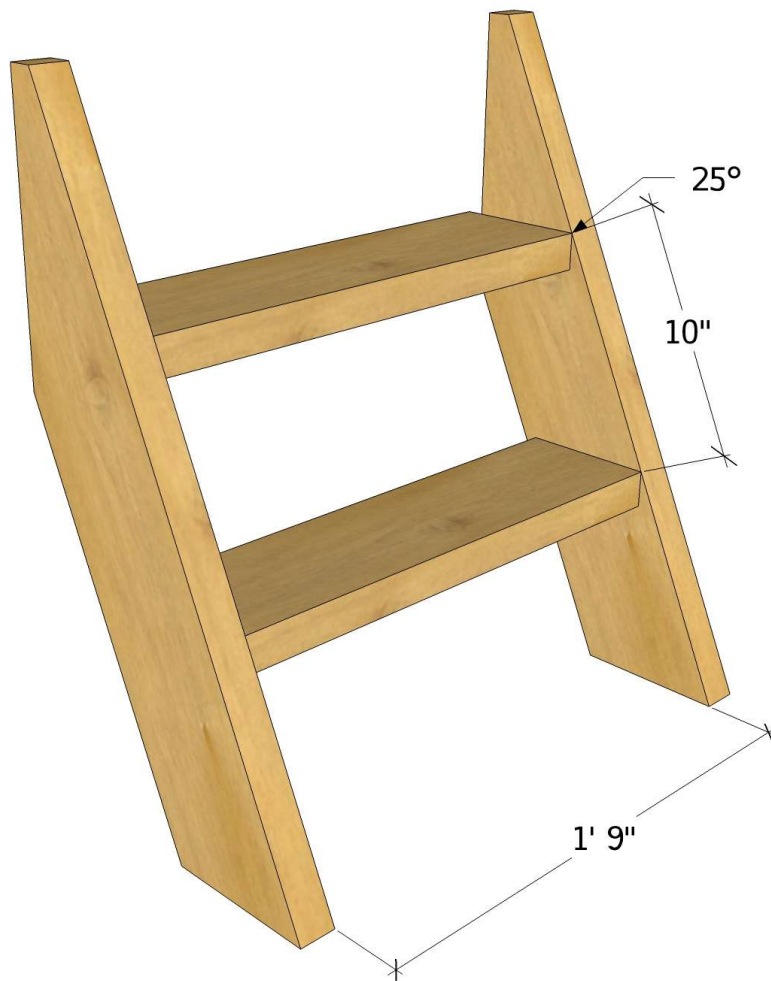
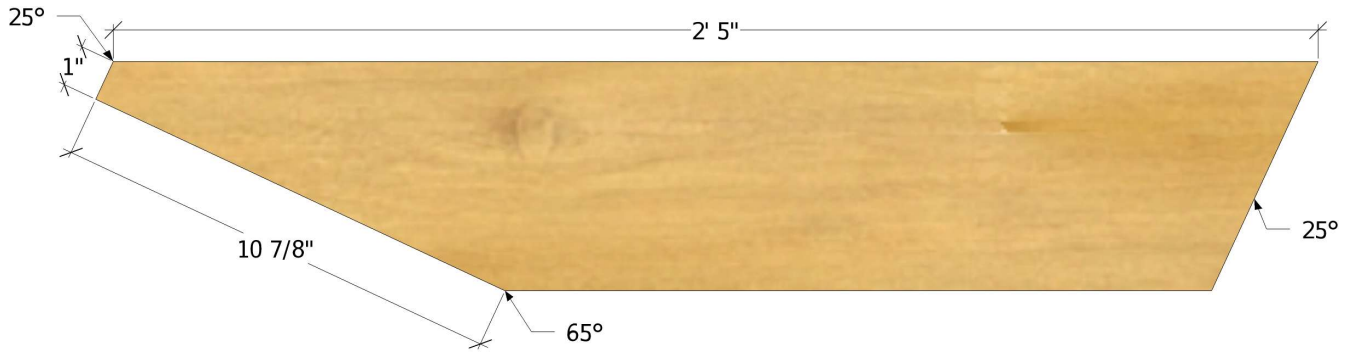
Step 6: Decking

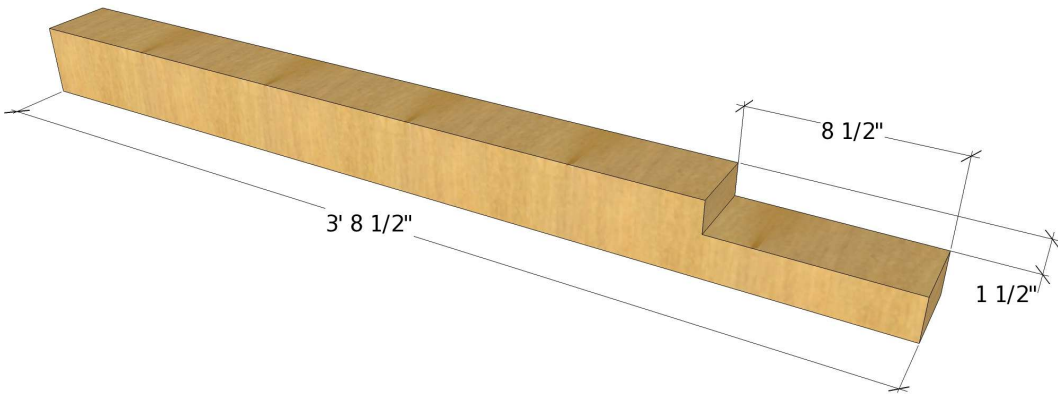
From (25) 12' decking boards, cover the joists as depicted in the below illustration. Space the decking boards apart by 1/4".



Step 7: Entry Ladder

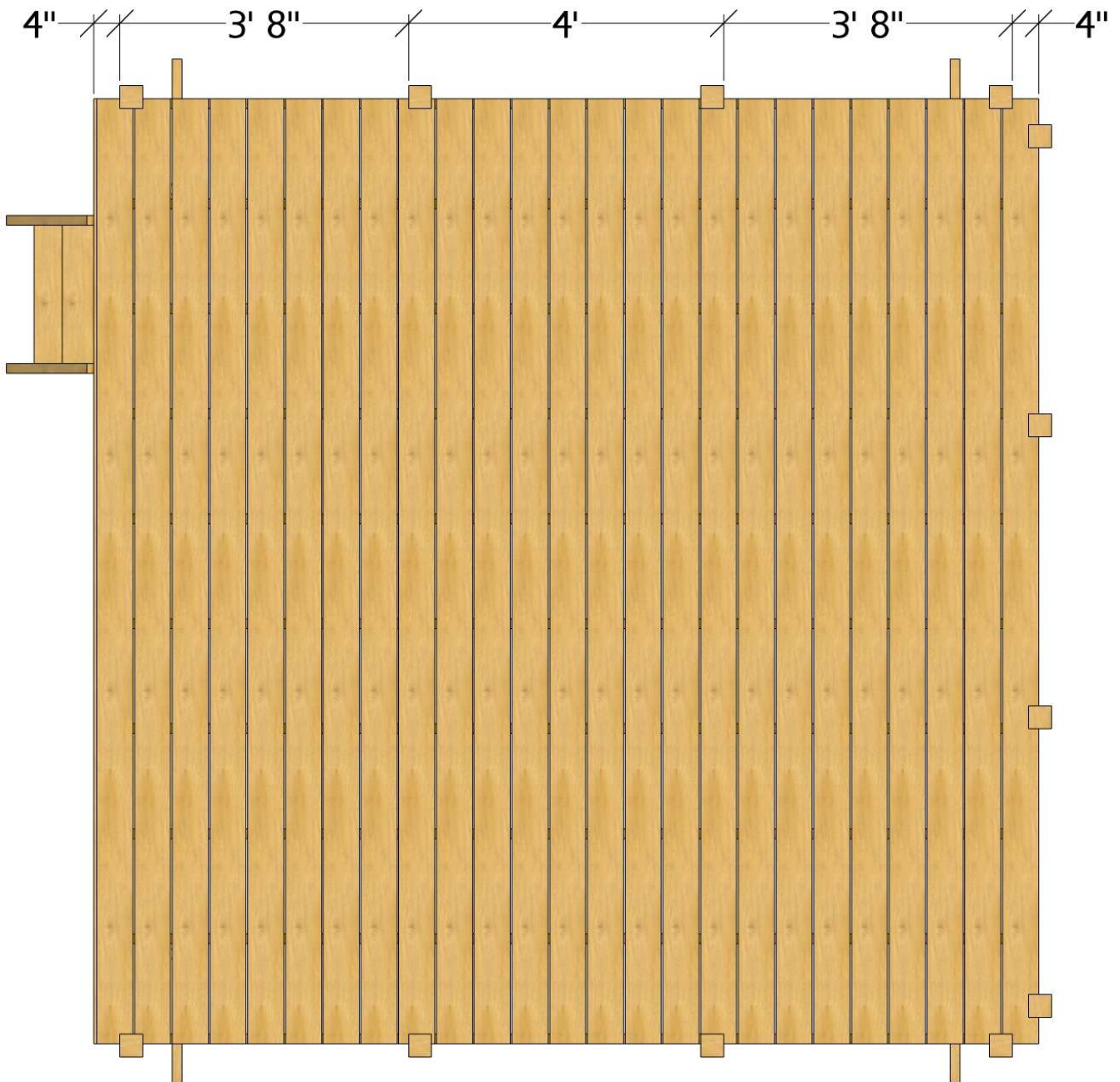
From (1) 2x6x12, build the ladder shown below. Note that the ladder stringers will need to be shortened or lengthened depending on the final height of your deck.

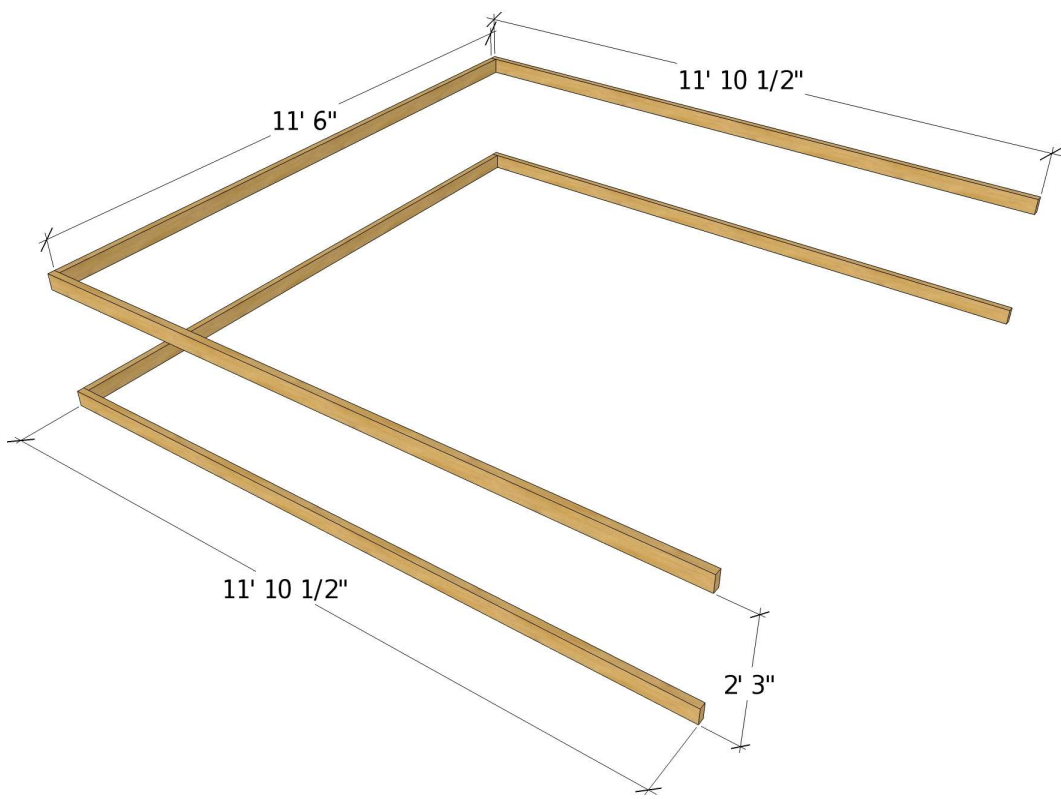




Step 8: Railing Posts

From (6) 4x4x8s, cut twelve of the piece shown in the left illustration. Install these twelve posts to the platform as depicted below.





Step 9: Rails

From (6) 2x4x12s, cut and install the six pieces as shown in the left and below illustrations.





Step 10: Balusters

From (72) 2x2x36" balusters, cut seventy two 32" pieces. Install these balusters to the rails as depicted in the left illustration. Install these balusters 5" on center.



Don't forget to send your finished project photos to our facebook page or paul@paulsplayhouses.com. We would love to add your project to our customer photo and social media pages for others to see and enjoy!



Be sure to check out our [accessory](#) page too!

