

NexBlue Edge

Product Sheet

Sweden Office:
+46 738981965
Sven Rinmans Gata 6
112 37 Stockholm, Sweden

Norway Office:
+47 40079095
Stemmane 11,
4636 Kristiansand, Norway

General Inquiry Email:
info@nexblue.com

NexBlue Edge

EV Charger for Residential and Commercial Scenarios

One for All and Future-oriented

- ✓ Adaptive to 1.4-22 kW charging power
- ✓ All grid systems compatible: TN/TT/IT
- ✓ OTA updates with WiFi / 4G eSIM / BLE
- ✓ Local OCPP 1.6-J supported

Cost Saving

- ✓ Automatic charging at the lowest cost with EcoPilot mode
- ✓ Schedule charging during off-peak hours
- ✓ Dynamic load balancing (with NexBlue Zen)
- ✓ Solar surplus charging

Safety and Reliability

- ✓ CE certified by leading testing agencies: SGS & TUV
- ✓ Quality charger structure: IP54, IK08 approved
- ✓ 19 smart sensors ensure protection and safety

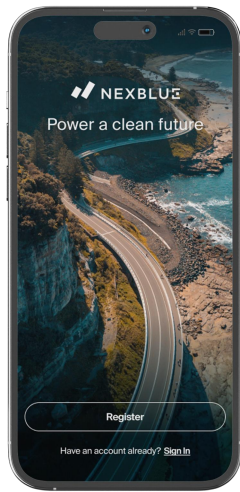
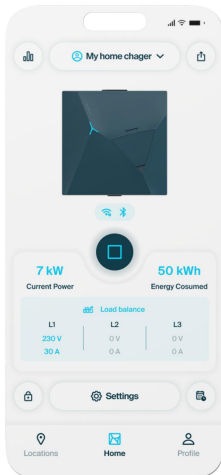
Easy Installation and Configuration

- ✓ 4-minute installation
- ✓ Back plate design enables easy installation, maintenance and scalability
- ✓ NexBlue APP & Portal provide convenient configurations



Build a Smart Charging Experience

Software Design for Users



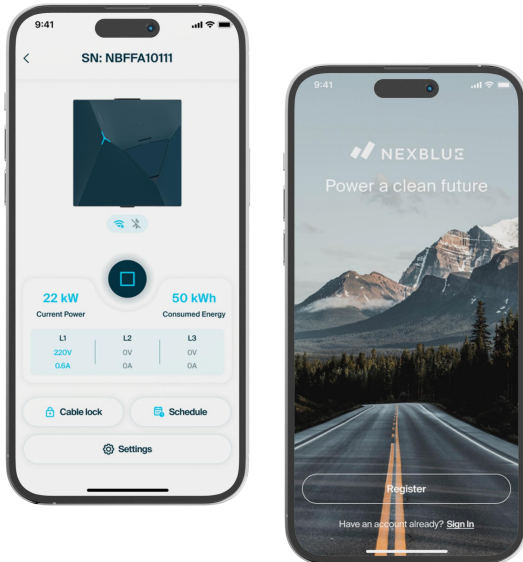
myNexBlue APP enables users to:

- ✓ Monitor and control your charging smartly
- ✓ Seamless Local Control via Bluetooth
- ✓ Schedule your charging in the most affordable and cleanest way
- ✓ Track your charging statistics and history
- ✓ Integrated with external service providers via local OCPP or our proprietary APIs
- ✓ Share your chargers' access with your family and friends
- ✓ Multiple charging on/off options: Plug&Play, RFID, mobile NFC, and APP control
- ✓ Online diagnosis and OTA upgrades



Build a Smooth Installation Experience

Software Design for Installers and Organizations

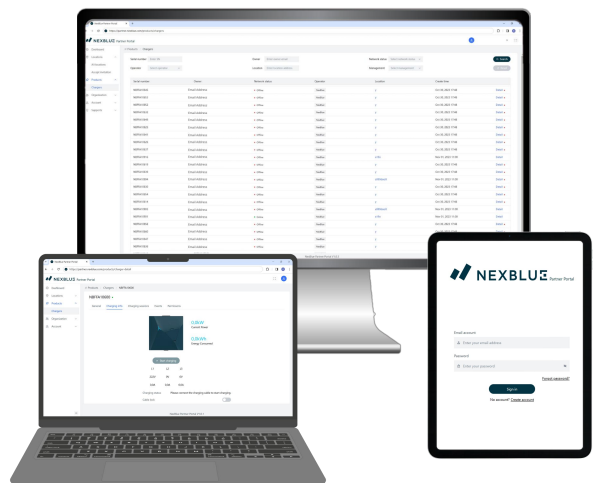


NexBlue Partner APP enables installers to:

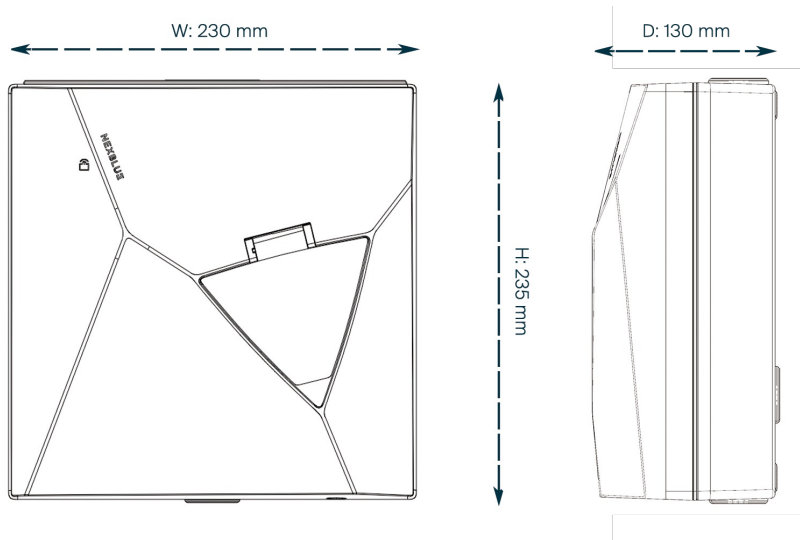
- ✓ Create new installation locations or manage existing ones
- ✓ Configure new chargers
- ✓ Conduct post-configuration testing for the chargers
- ✓ Facilitate the transfer of locations to new owners
- ✓ Monitor real-time status for maintenance purposes
- ✓ Change operators as the owners' preferences

NexBlue Partner Portal enables installers and organizations to:

- ✓ Oversee and monitor installation locations
- ✓ View and export charging consumption data by user, charger or RFID card
- ✓ Manage all installations within a NexBlue Registered Organization
- ✓ Provide real-time status monitoring and reconfiguration for installed chargers
- ✓ Facilitate pre-configurations prior to installations (Under development)



Dimensions



Technical information

General

Dimension (mm):

H: 235 x W: 230 x D: 130

Wall Mounting (mm):

H: 206 x W: 130

Weight: 1.8 kg

Operating Temperature:

-30 °C to +50 °C

Storage Temperature:

-40 °C to +70 °C

Working Humidity: 5% to 80%

Working Altitude: < 2000 m

External Package: Carton

Warranty: 3 years*

User Interface

Enclosure: Plastics

LED Indicator:

Red / Green / Blue / White / Orange

RFID Reader:

ISO / IEC 14443 Type A

Start Mode:

myNexBlue APP / RFID / NFC / Plug
& Play / NexBlue User Portal

Charging & Power grids

Charging Power: 1.4 to 22 kW

Charge Connector: Type 2 Socket

Rated Current:

6 A 1 phase to 32 A 3 phase

Maximum Output Current: 32 A

Voltage:

3 * 400 V AC / 230 V AC (±10%)

Installation Network:

TN, IT or TT (auto detect)

Mains Frequency: 50 Hz

Built-in Energy Meter: ±2%

Connectivity

Wi-Fi: 2.4 GHz 802.11b/g/n

Built-in eSIM:

4G (LTE Cat M1) / 2G / GPRS

Nexus RF

Bluetooth: BLE 4.2

OCPP: Local OCPP 1.6-J

Protection

Built-in Residual Current Protection:

RDC-DD (6 mA DC) according to IEC
62955 + 30 mA AC**

Ingress Protection: IP54

Impact Protection: IK08

UV resistant

Insulation class: I

Overvoltage category: III

EMC Level: CLASS B

Other Protection:

Overload protection

Residual current protection

Surge protection

Over/under voltage protection

Temperature protection

Relay welding protection

Regulations:

EU Type Examination Certificate

(Module B) confirming compliant with:

2014/53/EU (RED) | 2014/35/EU (LVD)

2014/30/EU (EMC) | 2011/65/EU (RoHS)

See DoC for details at

<https://nexblue.com/pages/document-and-manuals>

* Some countries may have extended warranty. Please visit: <https://nexblue.com/pages/warranty>

** External type A RCD is required.