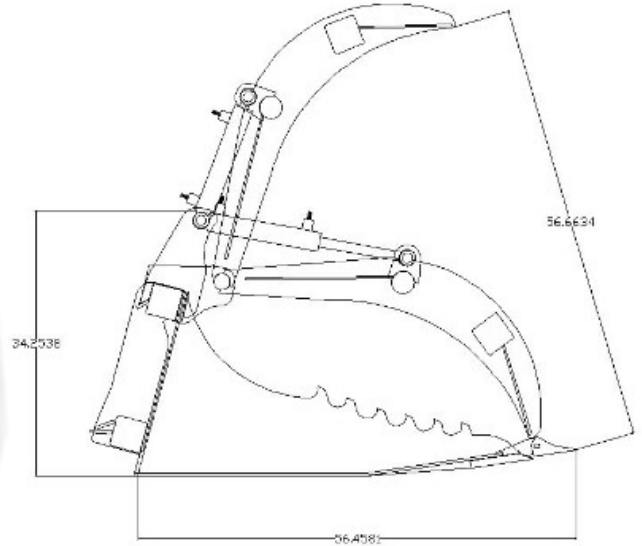


# STUMP GRAPPLE

11310000 - EX Class



The Extreme Stump Grapple's unique design is made for prying and removing stumps with ease, with the added gripping power of a tine for securing the load.

- (1) 2 X 10 cylinder
- 1 x 8 cutting edge
- Durable powder coat finish
- Countersunk grease pins
- (3) large cast replaceable teeth
- Made of .50 A-36 steel

Product Number	11310000
Weight (lbs.)	740
Max Opening (inches)	54
Front Bucket Width (inches)	14
Rear Bucket Width (inches)	20

(Specifications Subject to Change without Notice)



Phone: (336)476-2904

Fax: (336)476-0559

[northamericanimplements.com](http://northamericanimplements.com)