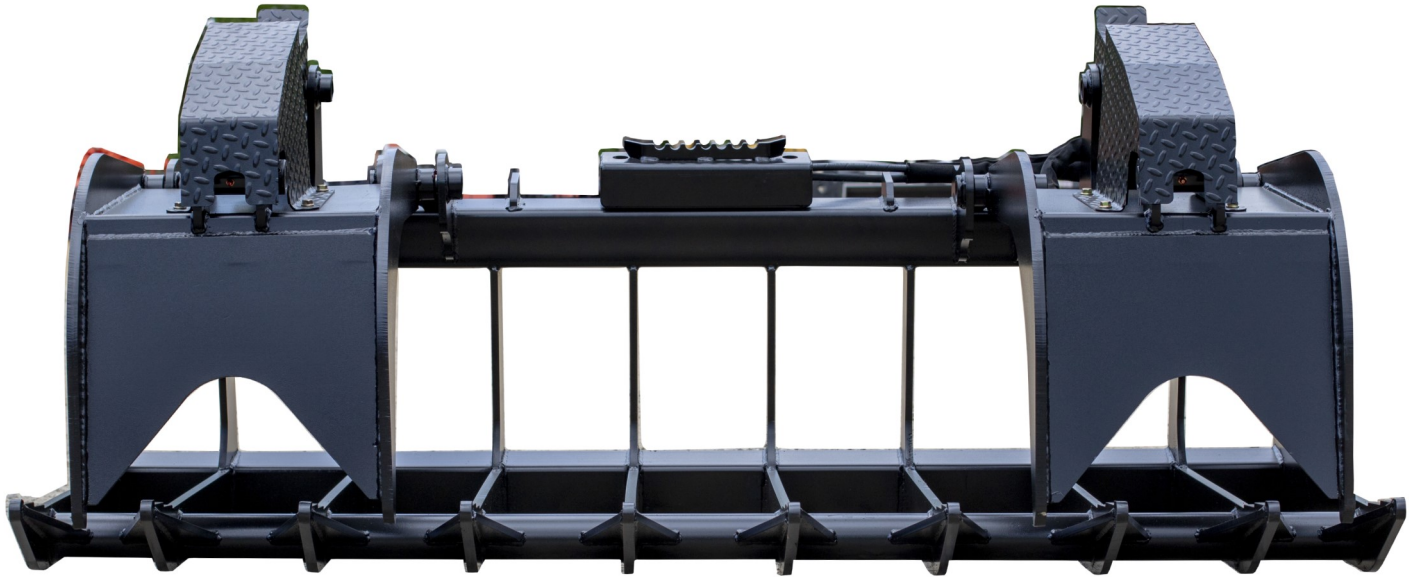


# ROOT GRAPPLE

1N22500 - EX Class



5/8 inch A-36 steel construction with counter-sunk grease pins and bushings at all hinge points. Diamond plate cylinder and rod covers.

- Durable powder coat finish
- Gusseted tines for added strength
- 4" x 4" x 1/4" tubing
- 3" O.D. schedule 40 pipe – 1/4" wall
- Flat face hose fittings factory installed and included

Width between lower tines (inches)	9 (on center)
Height with tines closed (inches)	16.5
Max opening (inches)	37
Tine length (inches)	39
Teeth construction	.50 A-36 steel

AVAILABLE COLORS



GREEN



ORANGE/RED



BLACK



YELLOW

Black is standard - upcharge for optional colors

SPECIFICATIONS SUBJECT TO CHANGE WITHOUT NOTICE

**Model: EX Class Root Grapple**

Size (inches)	72	78	84	96
Overall Height (inches)	36	36	36	36
Part Number	1N2250072	1N2250078	1N2250084	1N2250096
Weight (lbs.)	970	995	1045	1150



Phone: (336)476-2904

Fax: (336)476-0559

northamericanimplements.com