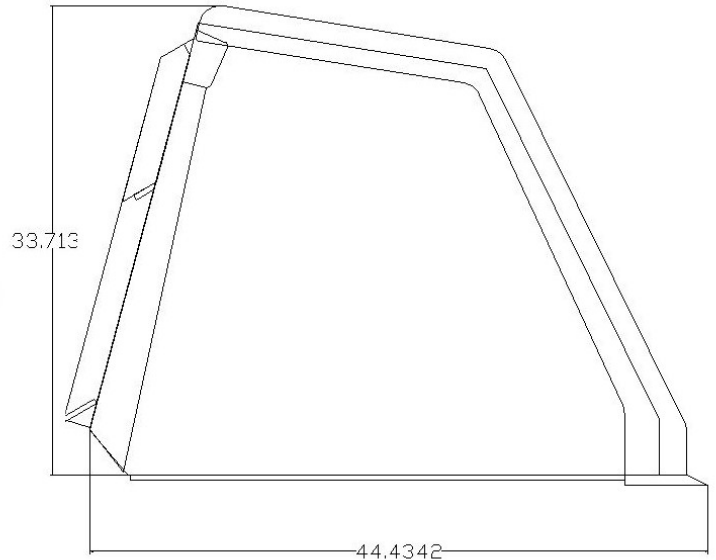


# MULCH & LITTER BUCKET

116100 - HD Class



This versatile bucket allows plenty of room to move mulch, litter, wood chips or any other light weight material without adding unnecessary weight to your machine.

- Durable powder coat finish
- Available weld on shanks and teeth
- Additional bolt on cutting edge available
- Available in 3/16 inch and 1/4 inch wraps
- Flat afce hose fittings factory installed and included

Cutting Edge (inches)	.75 x 6
Depth (inches)	41.5
Height (inches)	34
Wear Bars (inches)	(6) .50 x 3

(SPECIFICATIONS SUBJECT TO CHANGE WITHOUT NOTICE)

## Model: HD-Class Mulch & Litter Bucket 3/16

Size (inches)	72	74	78	80	84	90	96
Product Number	11610072	11610074	11610078	11610080	11610084	11610090	11610096
Weight (lbs.)	695	729	776	825	870	900	920

## Model: HD-Class Bucket Grapple with Teeth

Size (inches)	72	74	78	80	84	90	96
Product Number	11620072	11620074	11620078	11620080	11620084	11620090	11620096
Weight (lbs.)	755	789	836	885	930	960	980



Phone: (336)476-2904

Fax: (336)476-0559

northamericanimplements.com