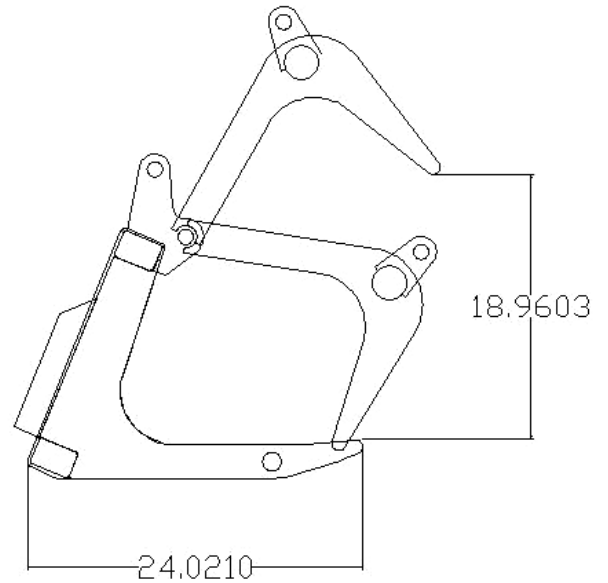


DINGO ROOT GRAPPLE

1W2210



The Dingo Root Grapple is designed with a Dingo hook up and is great for stump and debris removal and general landscaping.

- Durable powder coat finish
- Grease-able hinge points
- Flat face fittings, factory installed and included

Cylinder	(1) 1.5 x 6
Frame (inches)	.25 A-36 Steel
Max Opening	18.96
Closed Height (inches)	12.625
Tine Length (inches)	24.021
Tine Space O/C (inches)	6
Tine Thickness (inches)	.25 A-36 Steel

(Specifications subject to change without notice)

Model: Dingo Root Grapple

Size (inches)	42	48
Product Number	1W221042	1W221048
Weight (lbs.)	242	292



Phone: (336)476-2904 Fax: (336)476-0559

northamericanimplements.com