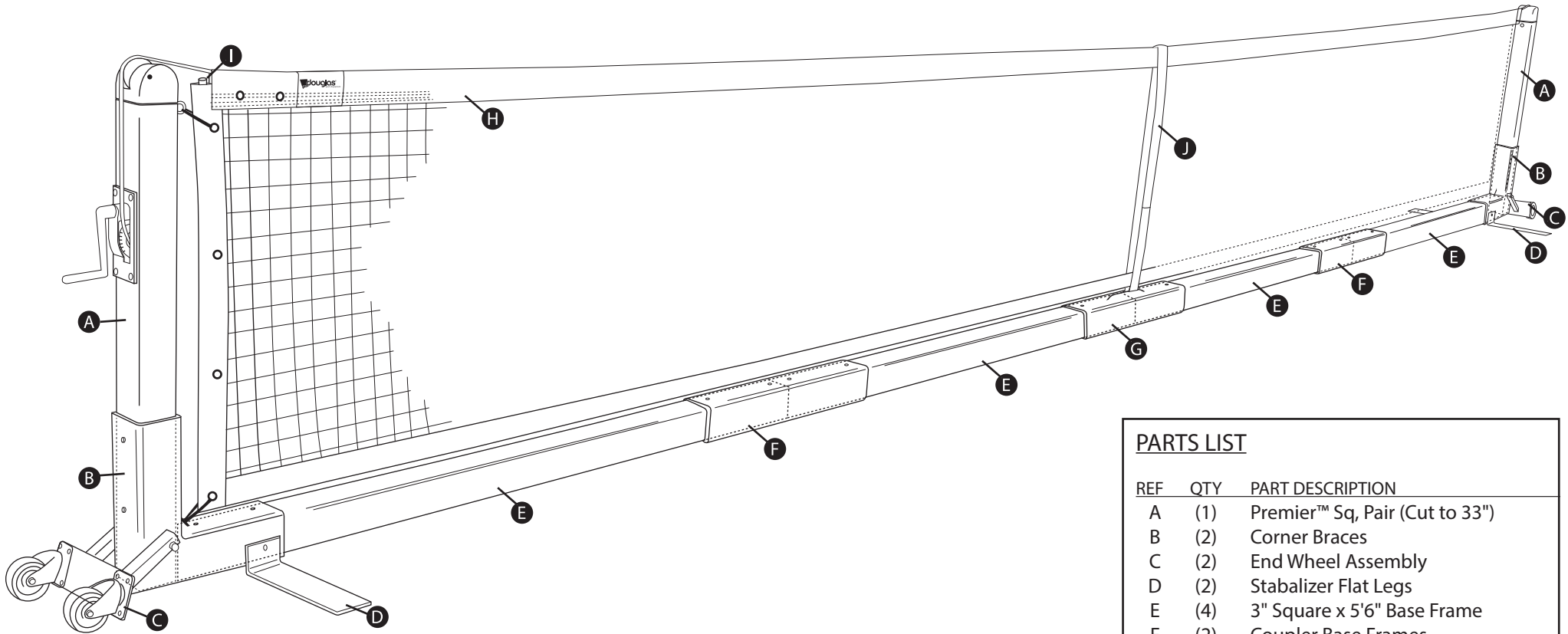


Douglas® PPS-22SQ  
Premier™ Portable Pickleball, 3' x 22'

Item # 63122



**PARTS LIST**

REF	QTY	PART DESCRIPTION
A	(1)	Premier™ Sq, Pair (Cut to 33")
B	(2)	Corner Braces
C	(2)	End Wheel Assembly
D	(2)	Stabalizer Flat Legs
E	(4)	3" Square x 5'6" Base Frame
F	(2)	Coupler Base Frames
G	(1)	Center Coupler Base Frame
H	(1)	PN-30 Pickleball Net (31" x 21'9")
I	(2)	Dowels
J	(1)	Velcro Center Strap
	(1)	Hardware Bag
<b>INCLUDES:</b>		(1) Handle
		(4) Eyebolts
		(6) Extra Screws
		(6) Tie Wraps
		(1) 3/16" Allen Wrench (for Set Screws)

**TOOLS NEEDED (NOT PROVIDED)**

9/16 Wrench or Socket  
Tape Measure

# Douglas® PPS-22SQ Premier™ Portable Pickleball, 3' x 22'

Item # 63122

## FRAME INSTALLATION

### STEP 1

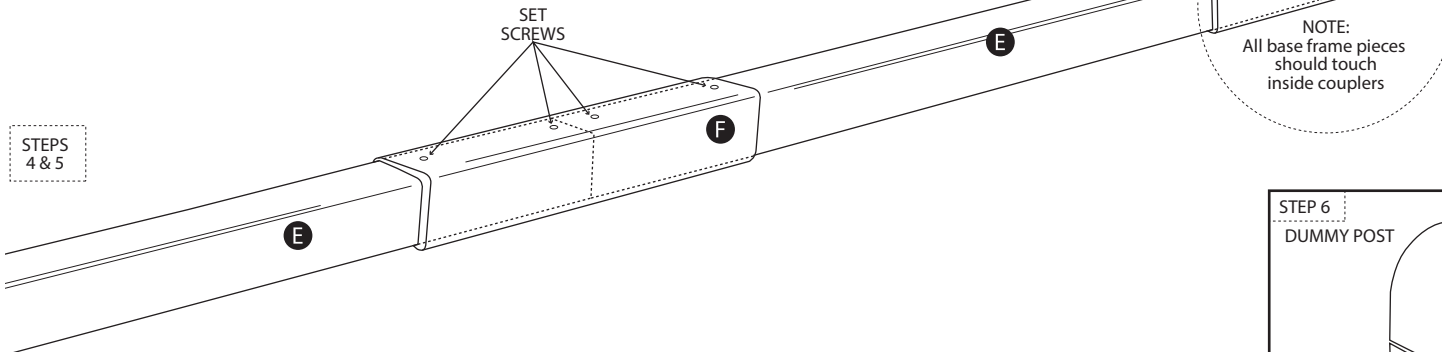
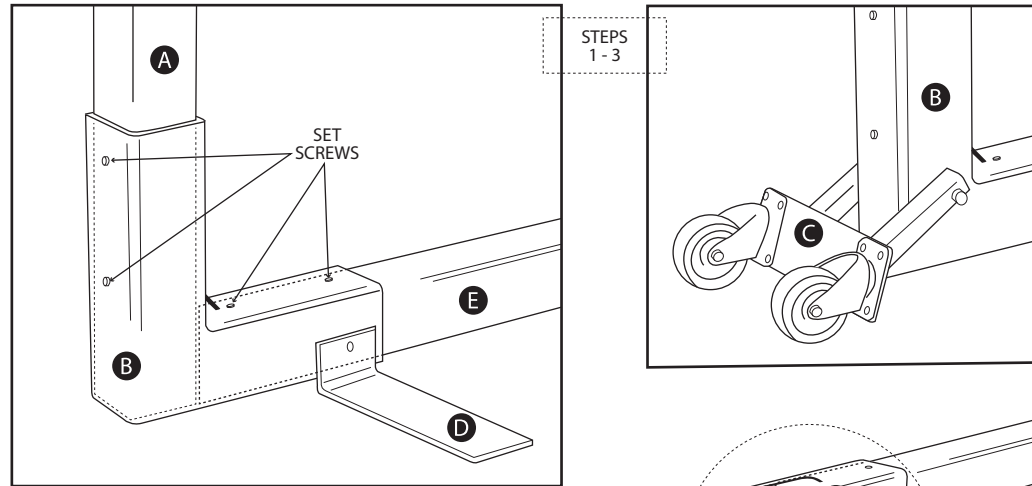
Lay out all parts as shown in drawing; start by attaching Stabilizer Legs (Ref. D) to Corner Braces (Ref. B)

### STEP 2

Insert the vertical end posts (Ref. A), into the corner braces (Ref. B). Vertical end posts should drop all the way down to ground level inside the corner brace.

### STEP 3

Attach and secure wheel assemblies to the corner braces with a 9/16 wrench.



STEPS  
4 & 5

### STEP 4

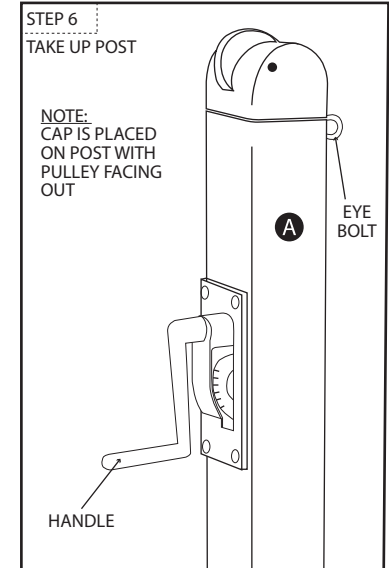
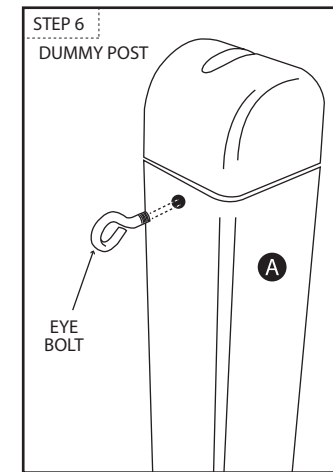
Assemble bottom frame by sliding together all (4) bottom frame pieces (Ref. E) using coupler pieces (Ref. F,G) in layout as shown in drawing. There should be no gaps between bottom pieces. Full length should be 22' once assembled. (Inside of Post to Inside of Post)

### STEP 5

Tighten all pre-attached set screws with provided allen wrench to secure framework into place. (Extra set screws are included in hardware bag in case any are missing from frame)

### STEP 6

Screw the (2) provided Eyebolts into the threaded hole at top of each vertical post. Note: The eyebolts and handle are located in a bag inside of the take up post. **\*\***(2) extra eyebolts are included.



# Douglas® PPS-22SQ Premier™ Portable Pickleball, 3' x 22'

Item # 63122

## NET INSTALLATION:

### STEP 1

On the Dummy post, Attach the "Loop" end of the cable to the hook. NOTE: Make sure to hold onto the opposite "cut end" of the cable so that it does not get pulled into the net headband.

### STEP 2

On the Take-up Post; bring the cable over the pulley on top of the post, down the side, and insert the cut end into the gear hole. Use provided chrome handle to start cranking the net up.

### STEP 3

Insert provided dowels through the end side tapes of net.

### STEP 4

Use (4) total Tie Raps to attach the top of the net to the Eyebolts, and bottom of the net to corner bars on bottom of frame. NOTE: Optional lacing cord is provided if desired in lieu of tie raps.

### STEP 5

Install center strap over the net and secure to Center Coupler (Ref. G). NOTE: Chrome loop snap is preinstalled on strap, but should be removed prior to installation, as attaching directly to coupler looks cleaner. Adjust strap so that the center of the net sits at 34".

