



Kit Contents

	Description	Part No	Pcs
1	Shock absorber front	TES 1U00/ TES 2U00	2
2	Dust boot	10216-02	2
3	Plastic spacer	25602-01	2
4	Spring	47010-35	2
5	Elastic spacer	25601-01	2
6	Upper spring seat	25618-37	2
7	Top pin spacer	24629-60	2
8	Flange lock nut M10	24626-01	2
9	Adjustment knob	24631-04	2
10	Wire adjuster	24631-03	2
11	Wire 65mm	24632-04	2
12	Adjustment wheel	24633-01	2
13	Adjustment wheel screw	24633-02	2
14	C-spanner	24639-01	1
15	C-spanner	24639-03	1
16	Öhlins sticker kit	10207-01	1
17	Öhlins owner manual		1

👁 Note!

Please note that there can be small differences between your product and the images in these instructions.

👁 Note!

Please note that during storage and transport, especially at high ambient temperature, some of the oil and grease used for assembly may leak and stain the packaging. This will not cause damage to the product, wipe off the excessive oil or grease with a cloth.

👁 Note!

Before you install this product, check the kit contents. If anything is missing, please contact an Öhlins dealer.

⚠ Warning!

Before you install this product, read the Öhlins Owner's manual. This product is an important part of the vehicle and the vehicle stability.

👁 Note!

If the vehicle is equipped with OE electronic shock absorbers, use Öhlins cancellation kit. See products news for part number.

Shock Absorber Kit for Tesla Model 3 & Model Y

TES MU00S1 front

Mounting Instructions



MOUNTING INSTRUCTIONS

⚠ Warning!

We strongly recommend to let an Öhlins dealer install this product.

⚠ Warning!

If you work with a lifted vehicle, make sure that it is safely supported to prevent it from tipping over.

👁 Note!

When you work with this product, see the vehicle service manual for vehicle specific procedures and important data.

👁 Note!

Before you install this product clean the vehicle.

1

Raise the vehicle and put it on jack stands.

2

Remove the front wheels.

3

Loosen the bolt for the lower shock absorber attachment and the nut for anti roll bar link.

👁 Note!

Support the wheel hubs in an appropriate way on each side of the vehicle so that the brake hoses can not be damaged.

4

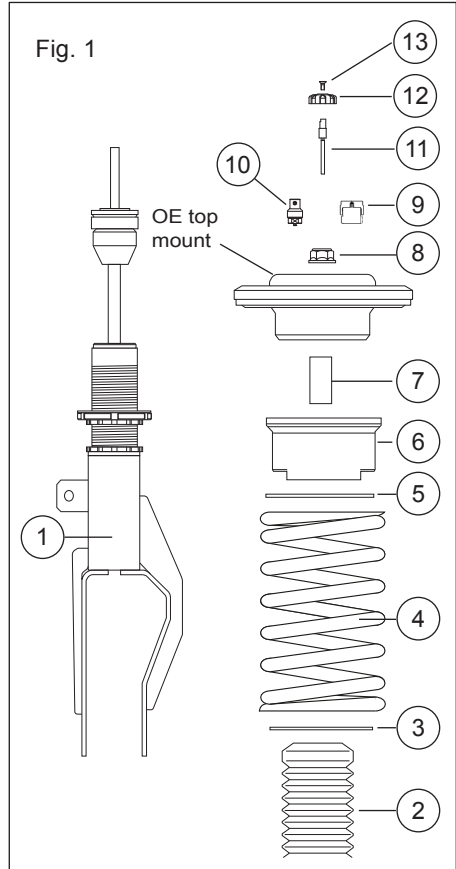
Loosen the upper control arm and upper attachments for the shock absorber and remove the shock absorber from the vehicle.

5

Install the dust boot (2), the plastic spacer (3), the spring (4), the rubber spacer (5), the upper spring seat (6), the top pin spacer (7), the OE top mount and the M10 lock nut (8) according to fig 1. Tighten the lock nut to 25 Nm and install the adjustment knob (9) for Model Y or the wire adjuster (10), wire 65mm (11) for model 3. Tighten the adjuster to 10 Nm.

👁 Note!

When tightening the top mount nut, the shock absorber shaft must be held in position with an Allen key.



MOUNTING INSTRUCTIONS

6
Position the lower spring seat and the lower fork bracket according to fig 3 and tighten with the c-spanner.

7
Fasten the upper attachments to the vehicle body.

8
Raise the wheel hub with a jack to remove the freeplay of the lower bracket attachment and tighten the bolt to OE spec.

👁 Note!

Make sure that all bolts are tightened to the correct torque and that nothing fouls or restricts movement of the strut when it is being fully compressed or extended. Test this over the whole steering range from lock to lock.

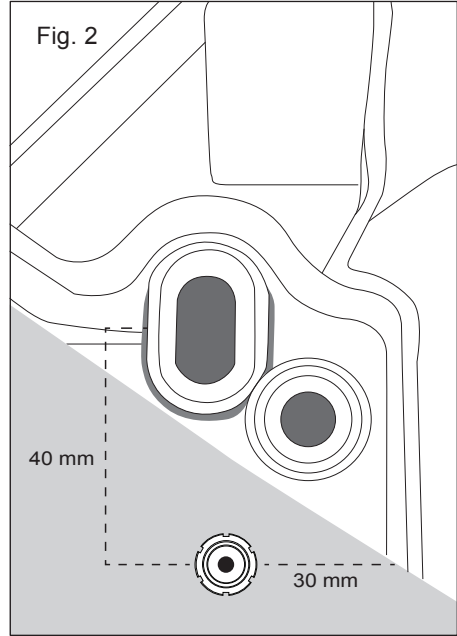
Only for Tesla Model 3

Drill a 9 mm hole in the front trunk plastic above the shock absorber top mount for the wire adjuster according to fig 2. Tighten the adjustment wheel (12) with the adjustment wheel screw (13).

Only for Tesla Model Y

To be able to reach the adjuster when adjusting the front shock absorbers with the adjustment knob, the front trunk plastic needs to be removed along with the windshield washer reservoir tube on the left side.

9
Make sure that all removed parts are reinstalled in the same way as they were before the installation of the Öhlins shock absorber.



ADJUSTMENTS

⚠ Warning!

Before you drive, always make sure that the setup is according to the recommended setup data. Read about adjustments and setting up in the Öhlins Owner's Manual before you make any adjustments. Contact an Öhlins dealer if you have any questions about setting up.

The recommended preload is 2 mm from a free length of 200 mm, giving 198 mm installed spring length, see fig. 3.

SETUP DATA

Rebound setting		
Track	2-7	clicks
Winding road	5-10	clicks
Street	10-20	clicks
Spring preload	2	mm

Recommended spring

47010-35 (110N/mm)

The actual vehicle height

With the preload and height adjuster in their recommended position, the vehicle is lowered approximately -20 mm when compared to the original suspension. Depending on car model and equipment, the height may vary. Tesla with Performance package is lowered 10mm from factory and will therefore be lowered 10mm less. Adjust the height adjuster until you have reached your desired ride height. The recommended adjustment range on the height adjuster is 230-260 mm.

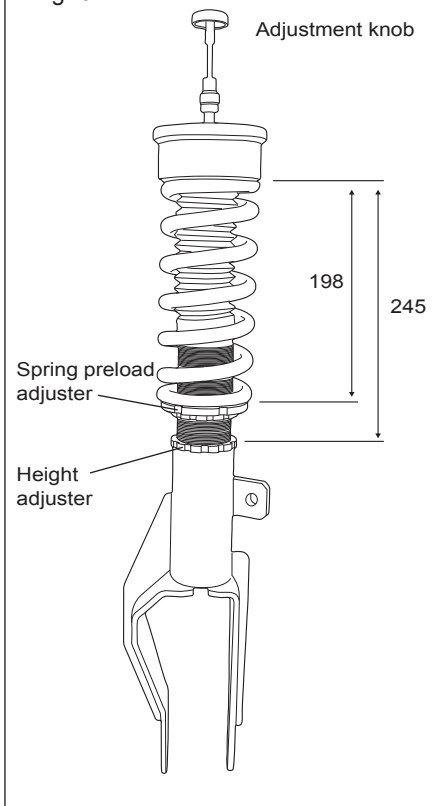
Öhlins products are subject to continuous improvement and development, therefore, although these instructions include the most up-to-date information available at the time of printing, minor updates may occur.

© Öhlins Racing AB. All rights reserved. Any reprinting or unauthorized use without the written permission of Öhlins Racing AB is prohibited.

To find the latest information contact an Öhlins distributor. Please contact Öhlins if you have any questions regarding the contents in this document.

Öhlins Racing AB
Box 722
S-194 27 Upplands Väsby, Sweden
Phone +46 8 590 025 00
fax +46 8 590 025 80

Fig. 3



⚠ Warning!

The spring preload adjuster position adjustment range is 0-2 mm, do not preload the spring more or it will coilbind. Make sure the spring is always preloaded.

Part no. MI_TES MU00S1_1
Issued 2022-10-14



www.ohlins.com



Pos nr	Kit Contents		
	Description	Part No	Pcs
1	Shock absorber rear	TES 6U00	2
2	End eye spacer	24629-61	4
3	Dust boot	10216-03	2
4	Tie-rap	24616-01	4
5	Flange lock nut M10	24626-01	2
6	Spring preload adjuster	24651-13	2
7	Lock nut M52	24636-03	2
8	Spring platform	24635-03	2
9	Plastic spacer	25602-01	2
10	Spring	47000-39	2
11	Elastic spacer	25601-01	2
12	Upper spring seat	25618-38	2

Note!

Please note that there can be small differences between your product and the images in these instructions.

Note!

Please note that during storage and transport, especially at high ambient temperature, some of the oil and grease used for assembly may leak and stain the packaging. This will not cause damage to the product, wipe off the excessive oil or grease with a cloth.

Note!

If the vehicle is equipped with OE electronic shock absorbers, use Öhlins cancellation kit. See product news for part number.

Note!

Before you install this product, check the kit contents. If anything is missing, please contact an Öhlins dealer.

Warning!

Before you install this product, read the Öhlins Owner's manual. This product is an important part of the vehicle and the vehicle stability.

Shock Absorber Kit for Tesla Model 3 & Model Y

TES MU00S1 rear

Mounting Instructions

MOUNTING INSTRUCTIONS

⚠ Warning!

We strongly recommend to let an Öhlins dealer install this product.

⚠ Warning!

If you work with a lifted vehicle, make sure that it is safely supported to prevent it from tipping over.

👁 Note!

When you work with this product, see the vehicle service manual for vehicle specific procedures and important data.

👁 Note!

Before you install this product clean the vehicle.

1

Raise the vehicle and put it on jack stands.

2

Remove the rear wheels.

3

Remove the lower and the upper attachments and remove the original shock absorbers.

4

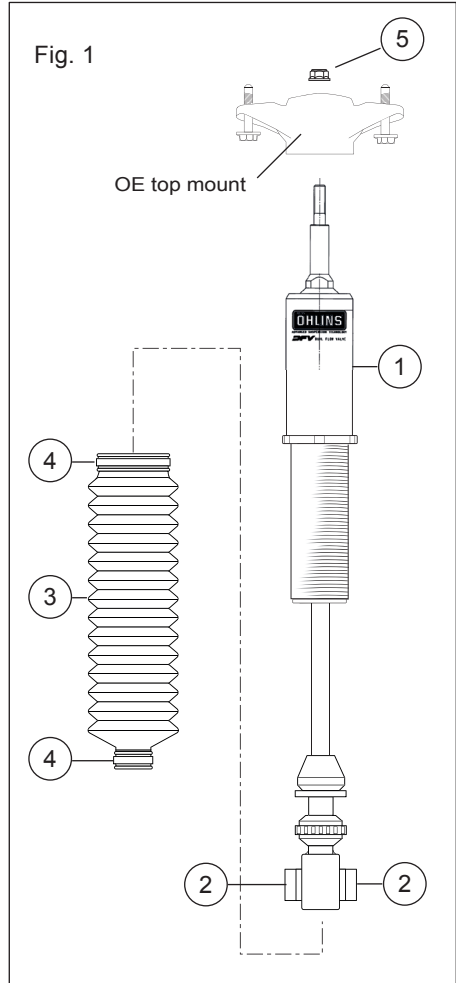
Remove the spring.

5

Mount the lock nut (7), spring platform (8) plastic spacer (9) on the spring preload adjuster (6) according to fig 2. Adjust the spring platform on the spring preload adjuster according to fig 3. Tighten the lock ring with the c-spanners.

6

Install the spring preload adjuster assembly (6), the spring (10), the elastic spacer (11), the upper spring seat (12) on the lower control arm. Use the OE rubber spring seat between the body and upper spring seat (12) according to fig 2.



MOUNTING INSTRUCTIONS

7

Mount the dust boot (3) with the zip-ties (4) on the Öhlins shock absorber (1) according to fig 1 and install the OE top mount with the flange lock nut M10 (5) Tighten the nut to 35Nm.

8

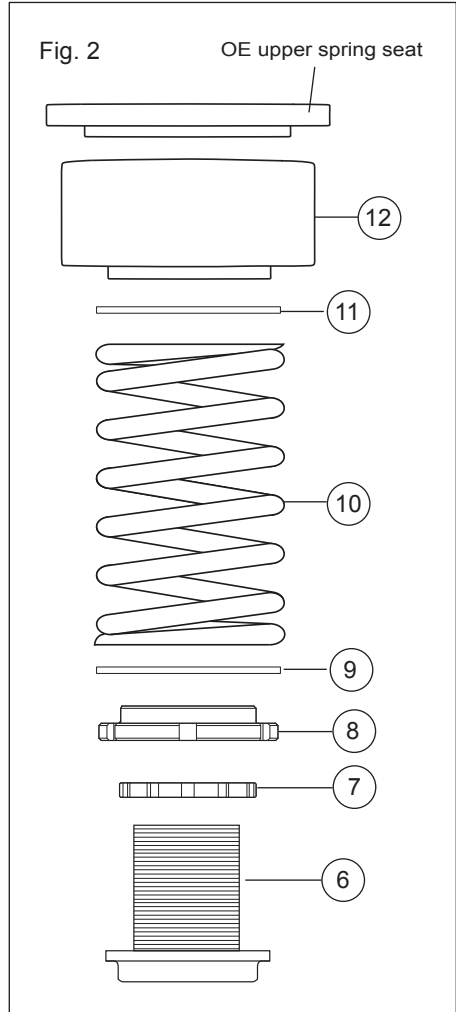
Install the Öhlins shock absorbers on the vehicle and tighten the top mount bolts and lower bolt to OE spec.

Note!

Make sure that all bolts are tightened to the correct torque and that nothing fouls or restricts movement of the shock absorber when it is being fully compressed or extended.

9

Make sure that all removed parts are reinstalled in the same way as they were before the installation of the Öhlins shock absorber.



ADJUSTMENTS

⚠ Warning!

Before you ride/drive, always make sure that the setup is according to the recommended setup data. Read about adjustments and setting up in the Öhlins Owner's Manual before you make any adjustments. Contact an Öhlins dealer if you have any questions about setting up.

SETUP DATA

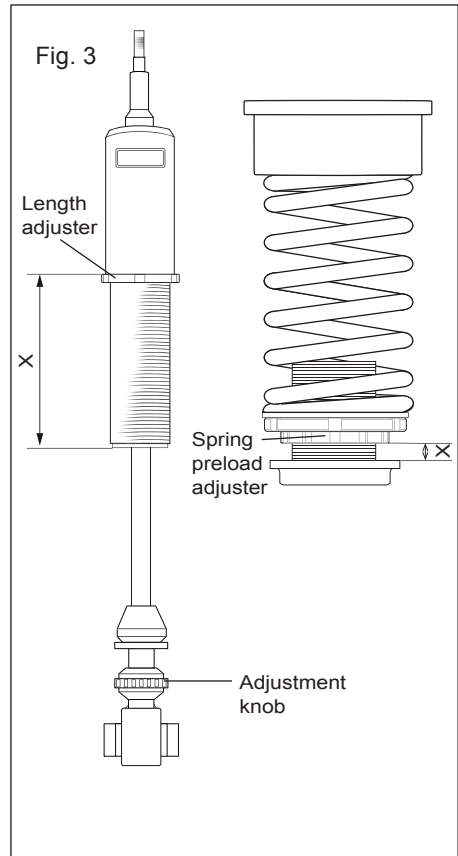
Rebound setting		
Track	2-7	clicks
Winding road	5-10	clicks
Street	10-20	clicks
Model 3 spring preload adjuster height (X)	15	mm
Model Y spring preload adjuster height (X)	2	mm
Model 3 damper length (X)	215	mm
Model Y damper length (X)	205	mm

Recommended spring

47000-39 (120N/mm)

The actual vehicle height

With the spring preload adjuster in their recommended position, the vehicle is lowered approximately -20 mm when compared to the original suspension. Depending on car model and equipment, the height may vary. Tesla with Performance package is lowered 10 mm from



factory and will therefore be lowered 10 mm less. Adjust the spring preload until you have reached your desired height. Make sure that the spring is always preloaded.

Öhlins products are subject to continuous improvement and development, therefore, although these instructions include the most up-to-date information available at the time of printing, minor updates may occur.

To find the latest information contact an Öhlins distributor. Please contact Öhlins if you have any questions regarding the contents in this document.

Part no. MI_TES MU00S1_1
Issued 2022-10-14

© Öhlins Racing AB. All rights reserved. Any reprinting or unauthorized use without the written permission of Öhlins Racing AB is prohibited.

Öhlins Racing AB
Box 722
S-194 27 Upplands Väsby, Sweden
Phone +46 8 590 025 00
fax +46 8 590 025 80



www.ohlins.com