



Kit Contents			
	Description	Part No	Pcs
1	Shock absorber		2
2	Dust boot		2
3	Top mount		2
4	Bearing spacer 1 (L=20mm)		(2)
5	Bearing spacer 2 (With flange)		(2)
6	Rubber seat		(2)
7	Lower spring seat		1
8	Lock ring		1
9	Bracket		1
10	Spring		2
11	Lock nut M10		2
12	Spacer (L=7mm)		2
13	Adjuster		2
14	ABS Cord bracket		1
USED FOR BOTH FRONT AND REAR			
15	C-spanner		1
16	C-spanner		1
17	Öhlins sticker		1
18	Öhlins Owner's Manual		1

👁 Note!

Please note that there can be small differences between your product and the images in these instructions.

👁 Note!

Please note that during storage and transport, especially at high ambient temperature, some of the oil and grease used for assembly may leak and stain the packaging. This will not cause damage to the product, wipe off the excessive oil or grease with a cloth.

👁 Note!

Before you install this product, check the kit contents. If anything is missing, please contact an Öhlins dealer.

⚠ Warning!

Before you install this product, read the Öhlins Owner's manual. This product is an important part of the vehicle and the vehicle stability.

Shock Absorber Kit for Nissan skyline GT-R (BNR33 & BNR34)

NIS M10 FRONT

Mounting Instructions



MOUNTING INSTRUCTIONS

⚠ Warning!

We strongly recommend to let an Öhlins dealer install this product.

⚠ Warning!

If you work with a lifted vehicle, make sure that it is safely supported to prevent it from tipping over.

👁 Note!

When you work with this product, see the vehicle service manual for vehicle specific procedures and important data.

👁 Note!

Before you install this product clean the vehicle.

1

Raise the vehicle and put it on jack stands.

⚠ Warning!

Ensure that it is securely supported.

2

Remove the front wheels.

3

Remove the lower and the upper attachments and remove the original shock absorbers.

4

Cut the dust boot 52 mm from the lower end with a pair of scissors according to fig 2.

5

Tighten the lower spring seat and the lock ring to 50 - 60 Nm.

Fit the the dust boot, the spring, the bearing spacers, the top mount and the adjuster according to fig 1.

Tighten the lock nut to 20 Nm.

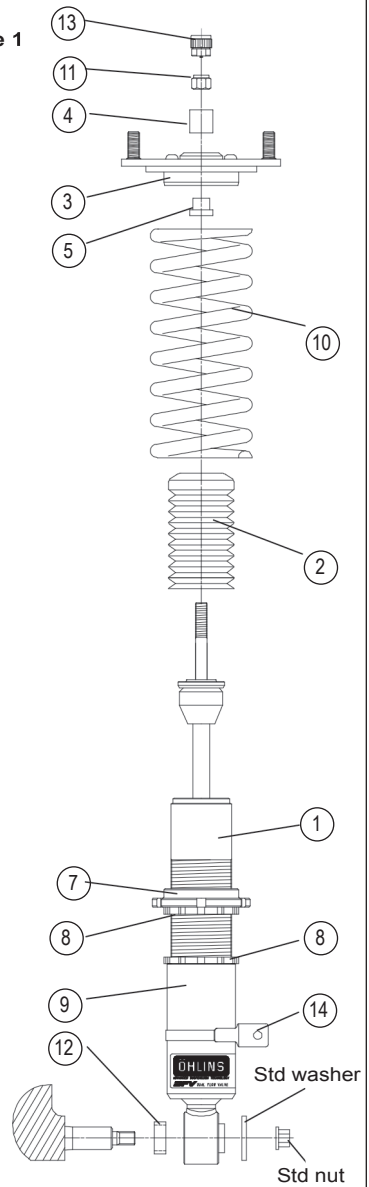
👁 Note!

When tightening the top mount nut, the shock absorber shaft must be held in position with a 4 mm Allen key.

6

Install the Öhlins shock absorbers on the vehicle.

Figure 1



MOUNTING INSTRUCTIONS

7

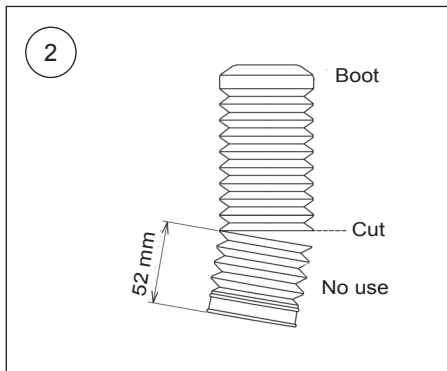
Fasten the upper attachments.

Note!

Make sure that all bolts are tightened to the correct torque and that nothing fouls or restricts movement of the shock absorber when it is being fully compressed or extended.

8

Make sure that all removed parts are reinstalled in the same way as they were before the installation of the Öhlins shock absorber.



ADJUSTMENTS

⚠ Warning!

Before you ride/drive, always make sure that the setup is according to the recommended setup data. Read about adjustments and setting up in the Öhlins Owner's Manual before you make any adjustments. Contact an Öhlins dealer if you have any questions about setting up.

The standard preload is 2 mm from a free length of 200 mm, giving 198 mm installed length, see fig 3.

SETUP DATA

Recommended setup

Rebound setting		
Track	2-7	clicks
Winding road	5-10	clicks
Street	10-20	clicks
Spring preload	2	mm

Spring

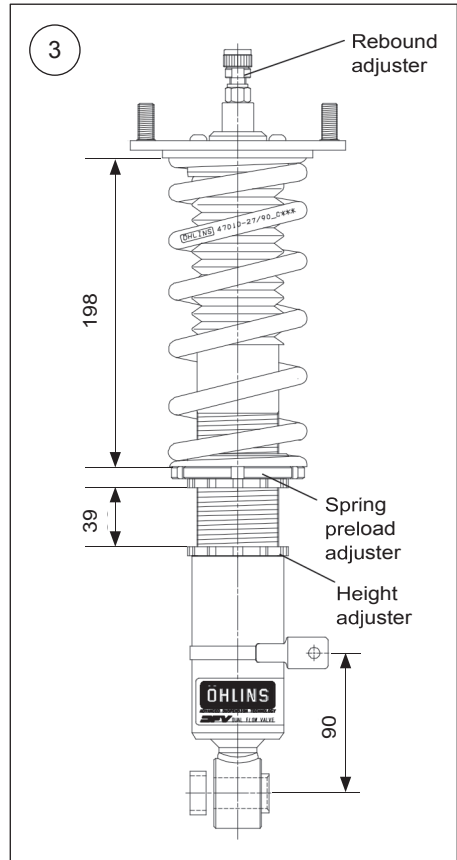
47010-27 (90N/mm)

Vehicle height adjustment range

With the preload and height adjustments in their recommended positions, the vehicle is lowered approximately 30 mm when compared to the original suspension.

⚠ Warning!

The adjustment range is the standard position ± 15 mm. If the bracket is moved outside the adjustment range, it may come loose.



Öhlins products are subject to continuous improvement and development, therefore, although these instructions include the most up-to-date information available at the time of printing, minor updates may occur.

To find the latest information contact an Öhlins distributor. Please contact Öhlins if you have any questions regarding the contents in this document.

Part no. MI_NISM110_0
Issued 2019-05-06

© Öhlins Racing AB. All rights reserved. Any reprinting or unauthorized use without the written permission of Öhlins Racing AB is prohibited.

Öhlins Racing AB
Box 722
S-194 27 Upplands Väsby, Sweden
Phone +46 8 590 025 00
fax +46 8 590 025 80



www.ohlins.com



Kit Contents

	Description	Part No	Pcs
1	Shock absorber		2
2	Dust boot		2
3	Top mount		2
4	Bearing spacer 1 (L=16mm)		(2)
5	Bearing spacer 2 (With flange)		(2)
6	Bearing spacer 3 (L=10mm)		(2)
7	Rubber seat		(2)
8	Spring		2
9	Screw M4		2
10	Control wire		2
11	Handle		2
12	Lock nut M10		2
13	Allen key		1
14	Spacer t=5		1
15	Adjuster		2
16	Lock ring		2
17	Bracket		1
18	Lower spring seat		1

👁 Note!

Please note that there can be small differences between your product and the images in these instructions.

👁 Note!

Please note that during storage and transport, especially at high ambient temperature, some of the oil and grease used for assembly may leak and stain the packaging. This will not cause damage to the product, wipe off the excessive oil or grease with a cloth.

👁 Note!

Before you install this product, check the kit contents. If anything is missing, please contact an Ohlins dealer.

⚠ Warning!

Before you install this product, read the Ohlins Owner's manual. This product is an important part of the vehicle and the vehicle stability.

Shock Absorber Kit for Nissan skyline GT-R (BNR33 & BNR34)

NIS MI10 REAR

Mounting Instructions



MOUNTING INSTRUCTIONS

⚠ Warning!

We strongly recommend to let an Öhlins dealer install this product.

⚠ Warning!

If you work with a lifted vehicle, make sure that it is safely supported to prevent it from tipping over.

👁 Note!

When you work with this product, see the vehicle service manual for vehicle specific procedures and important data.

👁 Note!

Before you install this product clean the vehicle.

1

Raise the vehicle and put it on jack stands.

⚠ Warning!

Ensure that it is securely supported.

2

Remove the rear wheels.

3

Remove the lower and the upper attachments and remove the original shock absorbers.

4

Tighten the lower spring seat and the lock ring to 50 - 60 Nm.

Fit the the dust boot, the spring, the bearing spacers, the top mount and the adjuster according to fig 1.

Tighten the lock nut to 20 Nm.

👁 Note!

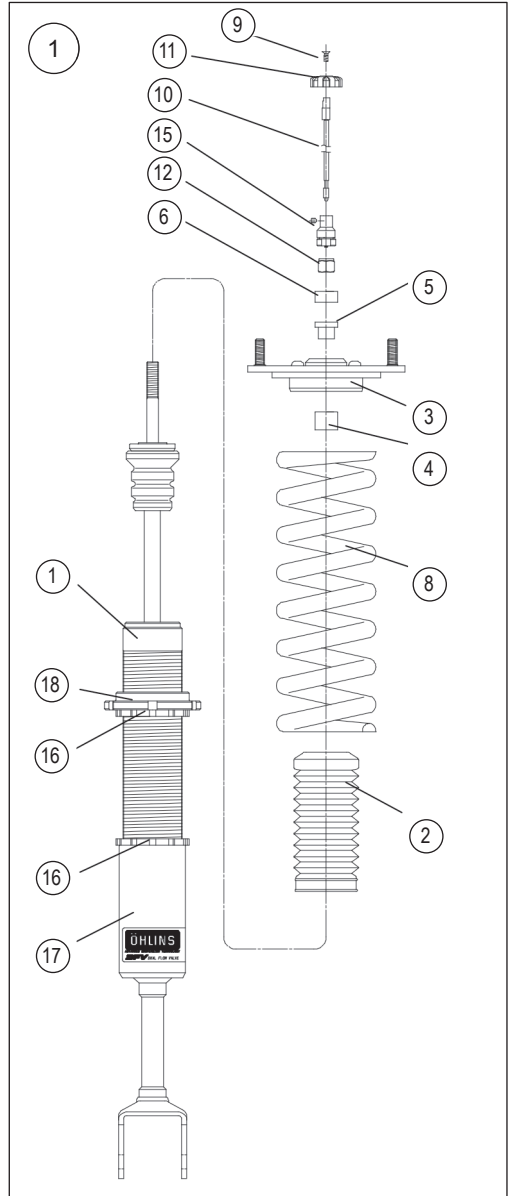
When tightening the top mount nut, the shock absorber shaft must be held in position with a 4 mm Allen key.

6

Install the Öhlins shock absorbers on the vehicle.

7

Fasten the upper attachments.



Note!

Make sure that all bolts are tightened to the correct torque and that nothing fouls or restricts movement of the shock absorber when it is being fully compressed or extended.

7

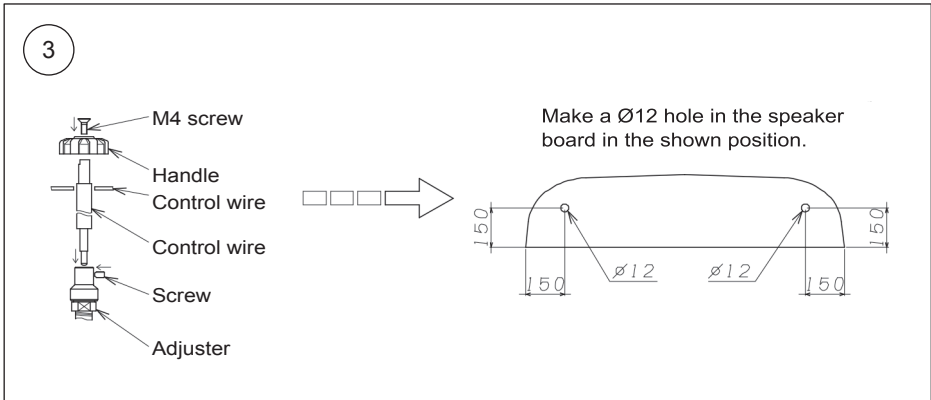
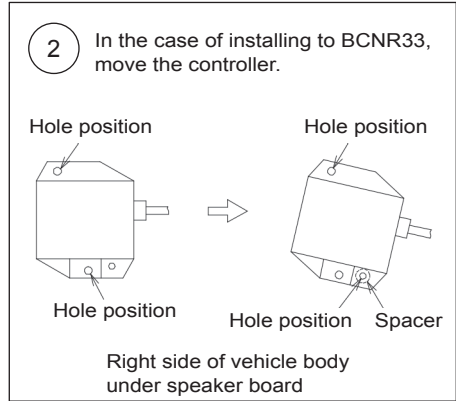
Make sure that all removed parts are reinstalled in the same way as they were before the installation of the Öhlins shock absorber.

8

Sub-assemble the wire. (Fasten the handle by tightening the M4 screw.)

As shown in the fig 3. insert the wire through the oval hole in the speaker board and run it inside the vehicle.

Insert the top end of the wire into the adjuster and fasten it with the supplied Allen wrench.



ADJUSTMENTS

⚠ Warning!

Before you ride/drive, always make sure that the setup is according to the recommended setup data. Read about adjustments and setting up in the Öhlins Owner's Manual before you make any adjustments. Contact an Öhlins dealer if you have any questions about setting up.

The standard preload is 2 mm from a free length of 250 mm, giving 248 mm installed length, see fig 4.

SETUP DATA

Recommended setup

Rebound setting		
Track	2-7	clicks
Winding road	5-10	clicks
Street	10-20	clicks
Spring preload	2	mm

Spring

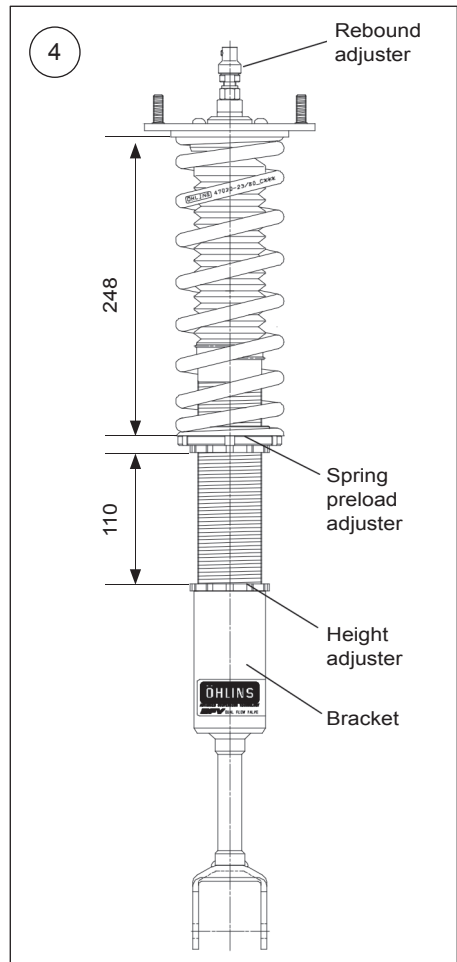
47020-23 (80N/mm)

Vehicle height adjustment range

With the preload and height adjustments in their recommended positions, the vehicle is lowered approximately 30 mm when compared to the original suspension.

⚠ Warning!

The adjustment range is the standard position ± 15 mm. If the bracket is moved outside the adjustment range, it may come loose.



Öhlins products are subject to continuous improvement and development, therefore, although these instructions include the most up-to-date information available at the time of printing, minor updates may occur.

To find the latest information contact an Öhlins distributor. Please contact Öhlins if you have any questions regarding the contents in this document.

Part no. MI_NISMI10_0
Issued 2019-05-06

© Öhlins Racing AB. All rights reserved. Any reprinting or unauthorized use without the written permission of Öhlins Racing AB is prohibited.

Öhlins Racing AB
Box 722
S-194 27 Upplands Väsby, Sweden
Phone +46 8 590 025 00
fax +46 8 590 025 80



www.ohlins.com