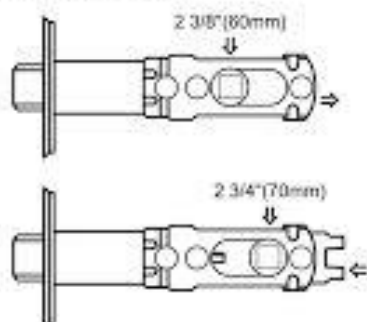


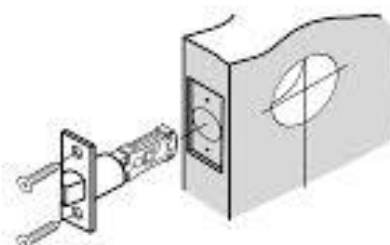
# Indicator Lock Installation Instruction

## Step 1. Install the latch and tighten the screws.

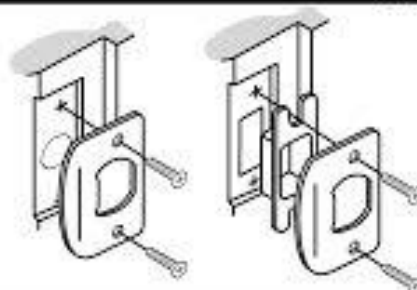
A. How to adjust the latch.



B. How to install.

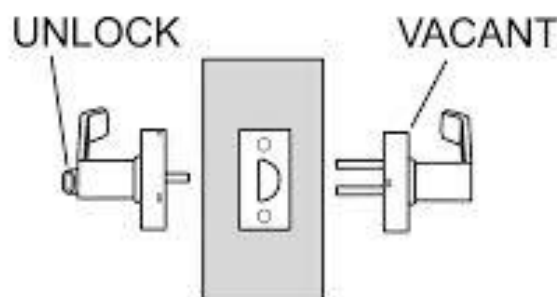


## Step 2. Install strikes with supplied screws.

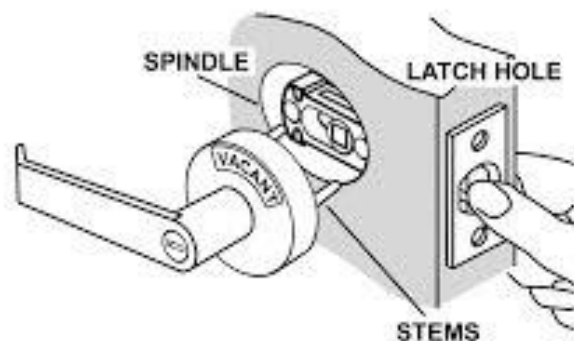


## Step 3. Install Exterior mechanism.

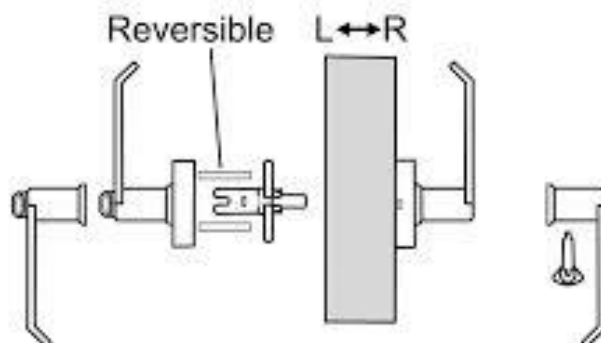
A. The lock has to be in unlocked position; the indicator should display "Vacant"



B. Install Indicator.



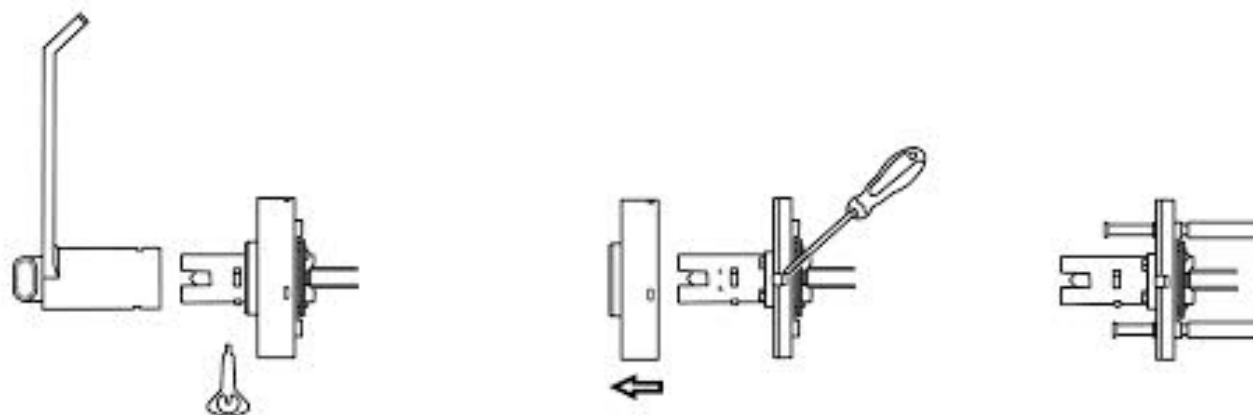
C. To reverse the level L-R Remove the handle with included key and reverse the handle.



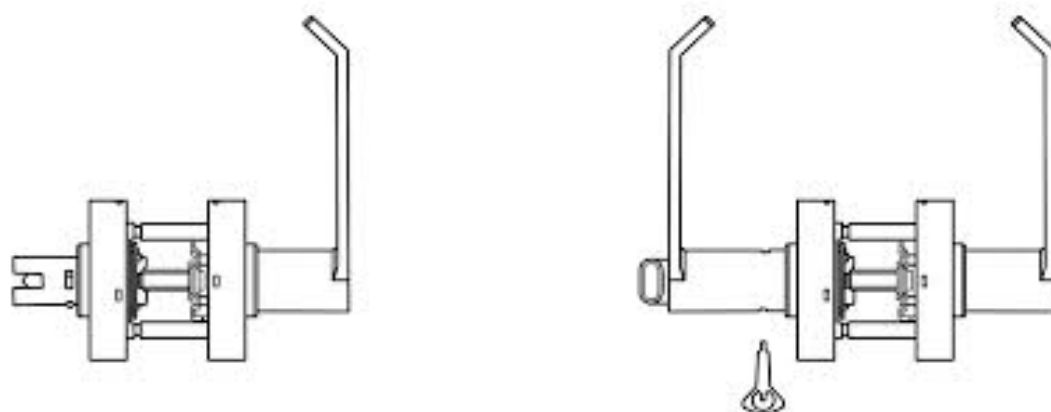
# INSTALLATION OF LOCK

## Step 4. Install Interior part of the lock.

A. Remove the cover with included key.



B. Install the interior handle. Make sure the position is "Unlock"



Suitable for door thickness: 1-3/8" (35mm) to 2" (50mm)

