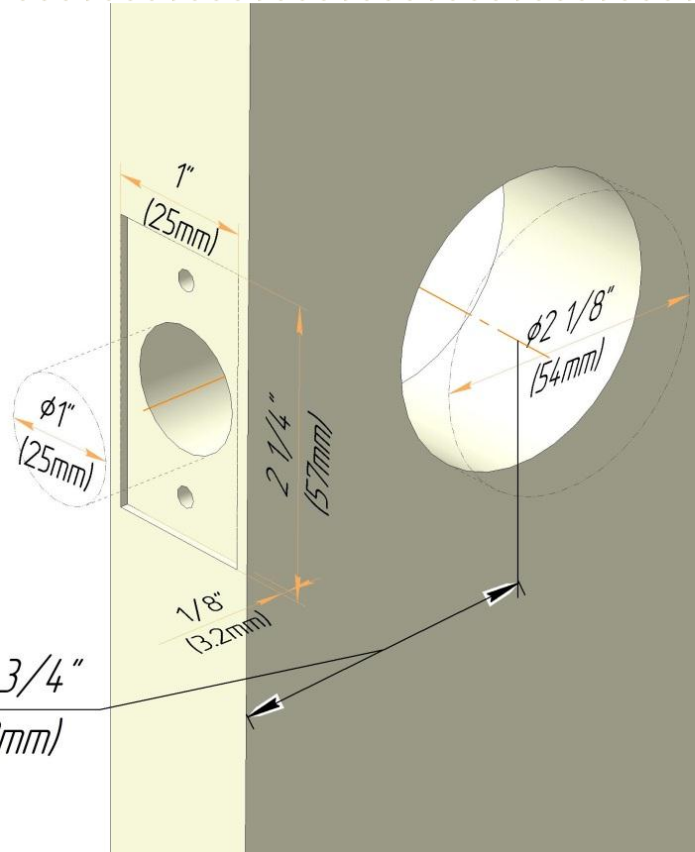
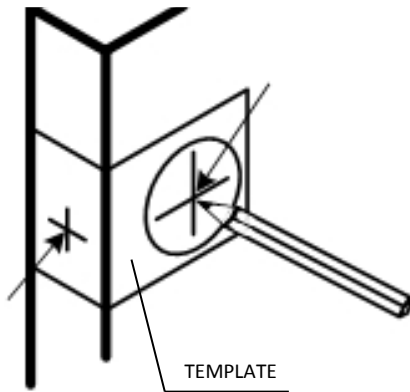


DOOR PREPARATION



- Fold template where indicated.
- Position template on door edge at desired latch height.
- Mark Door using template
- Measure door thickness and mark centre.
- At required backset drill pilot hole
- Enlarge hole to 2 1/8" (54mm) as required, drilling from both sides of the door



Important!
Print Template in original scale.

TEMPLATE

