

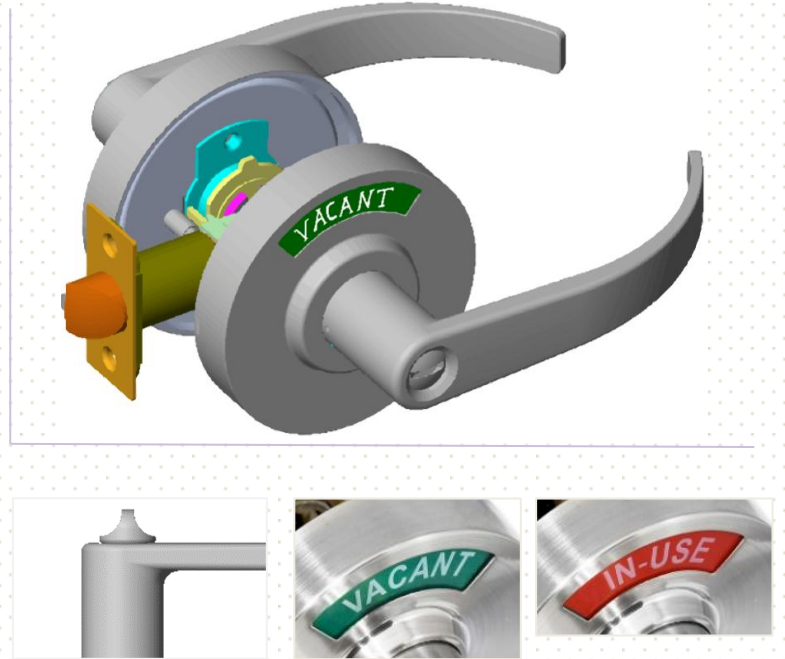
Privacy Indicator Lever Lock

Commercial Grade 2



Product description:

- Privacy indicator lever lock, interior, reversible for Right and Left doors opening
- All-in-one lever, lock and indicator
- Occupancy indicator IN-USE and VACANT
- Solid Zink Alloy Handle
- Turn-button inside lever for locking and unlocking
- Full length lever handle with 3/8" return
- Commercial Use
- Ships with mounting hardware
- Key-Less optional



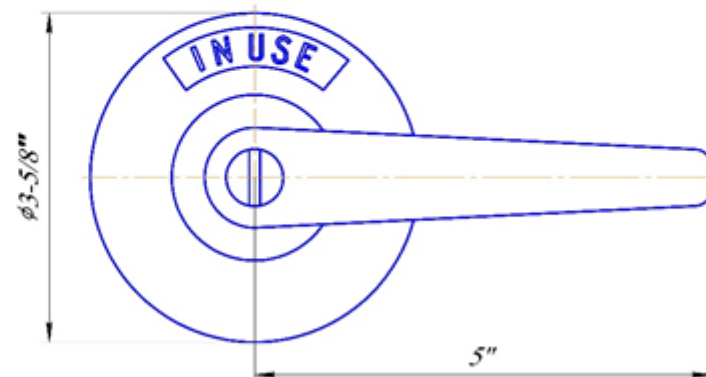
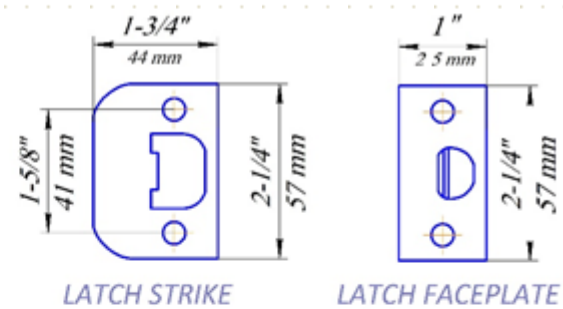
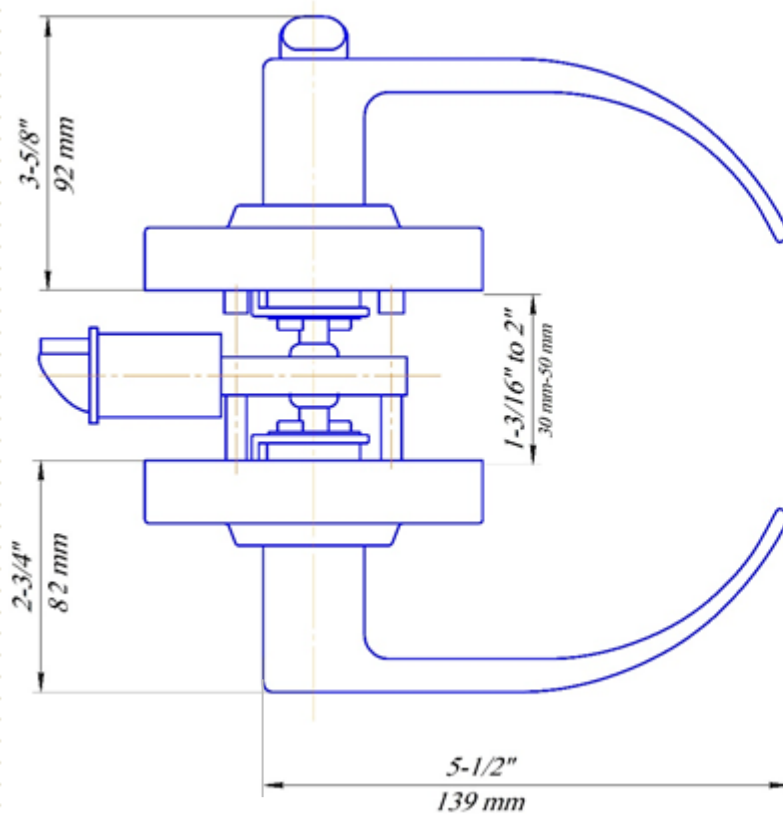
Technical Data:

- **Material:** Zink Alloy Handles, Stainless Steel Escutcheon
- **Door Thickness:**
Standard Doors 1-3/16" to 2"
- **Adjustable Backset:**
Standard 2-3/8" to 2-3/4"
- Dichromate finish for rust resistance

Safety:

Meets the requirements of durability, strength and performance according to **Grade 2 ANSI/BHMA A156.2 standards**

- Can withstand 2 strikes of 75 pounds of force (90 foot-pounds)
- Tested to withstand 400,000 opening and closing cycles.
- Stainless Steel Escutcheon
- Outside Emergency unlock
- Finish is tested for Sault-Organic impact
- Levers are tested for Strength and Optional validity



Vizilok Company

Brooklyn, NY 11235

Phone: (347) 492-7497

Email: info@vizilok.com



USA Technology

