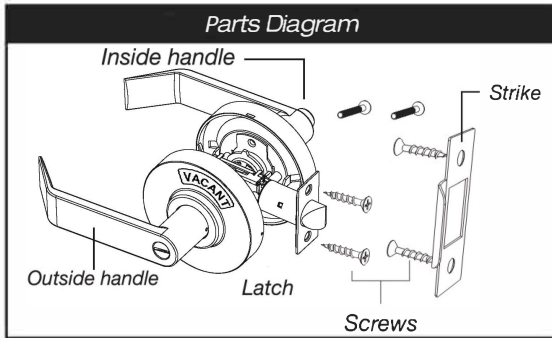


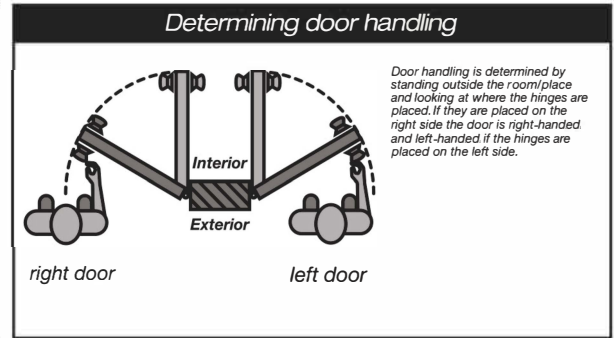
This lever will fit 1 3/8" to 2" door thickness

LEVER SET INSTALLATION INSTRUCTIONS AND TEMPLATE

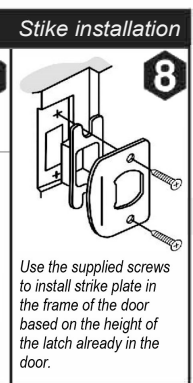
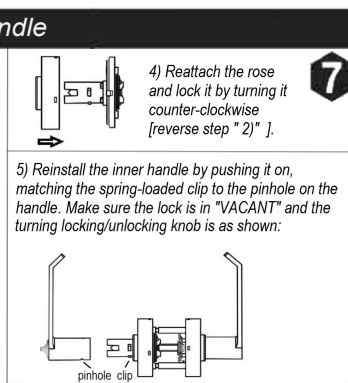
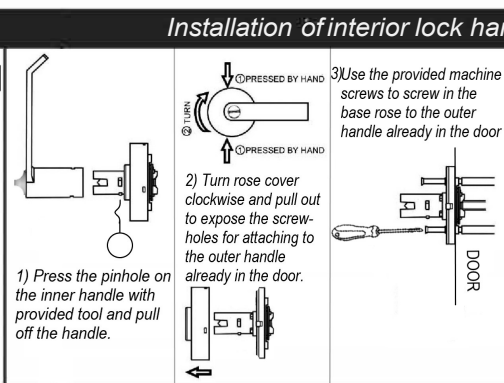
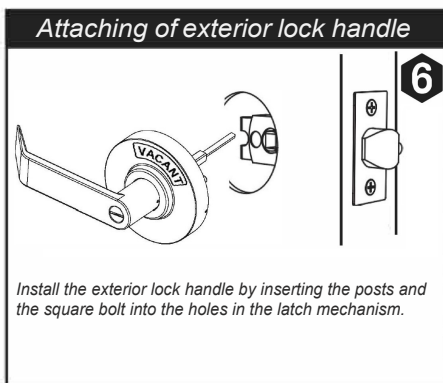
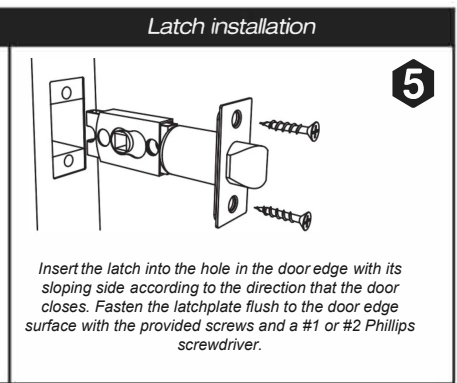
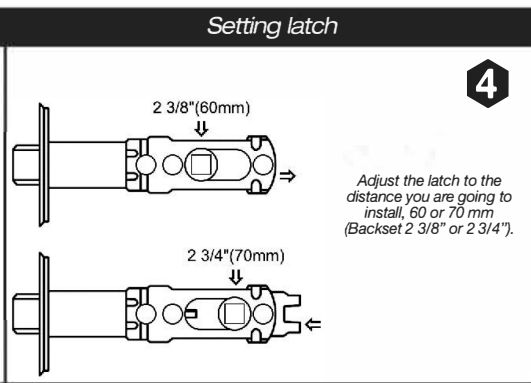
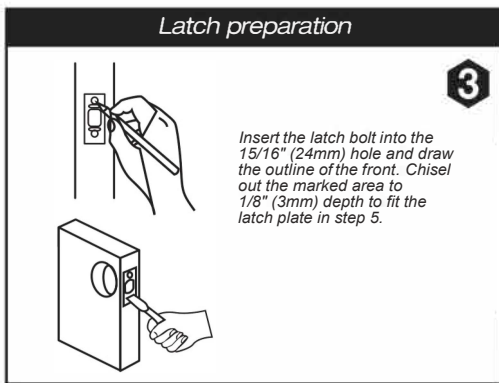
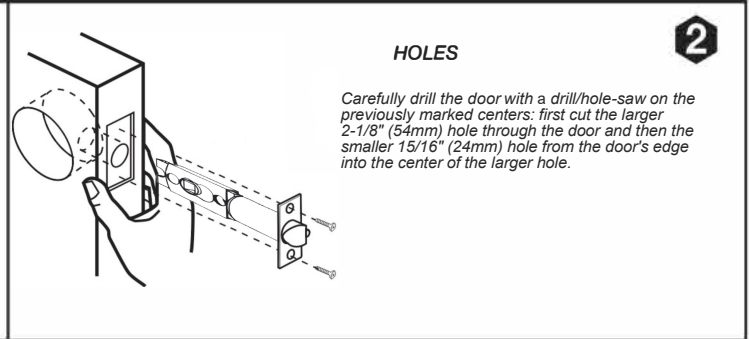
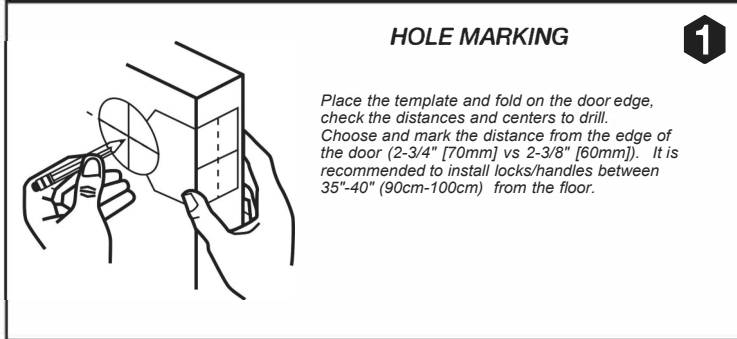


Tools needed

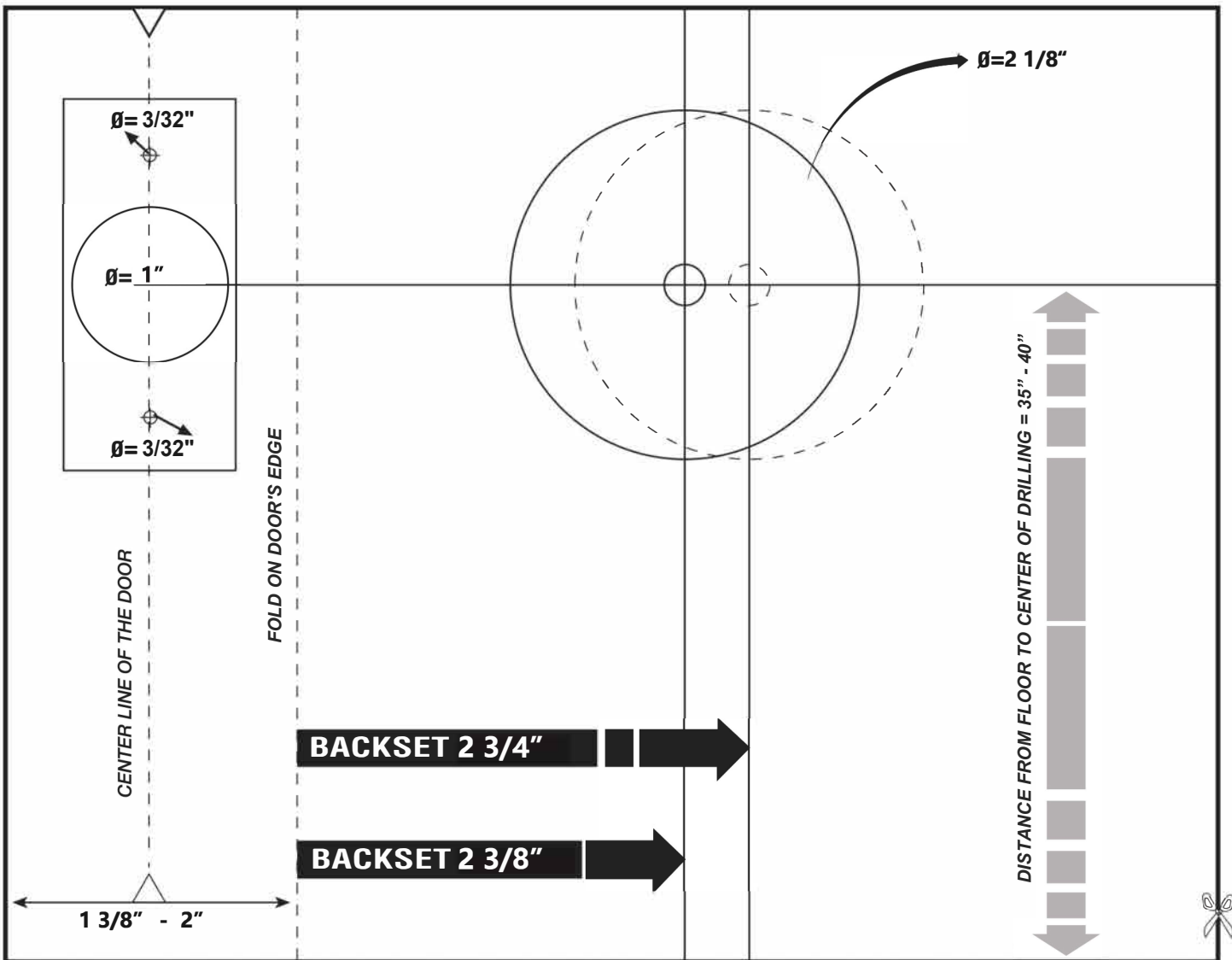
Power Drill 	Hole saw 2-1/8" (54mm)
Drill bit 3/32" and 15/16" 	Screwdriver #1 or #2
Chisel 	Pencil



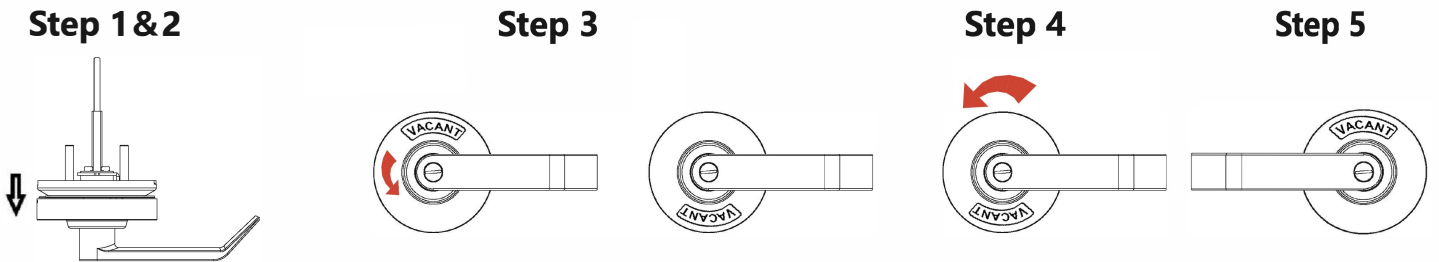
Door preparations



Template



Changing Right-handed to Left-handed:



Step 1: Turn clockwise to open the front rose cover.

Step 2: Pull the rose cover out.

Step 3: Rotate the rose cover 180 degrees so the screen is centered at the bottom.

Step 4: Turn the rose cover counter-clockwise to lock it; the upside-down VACANT should be visible.

Step 5: Rotate the assembled indicator half of lock 180 degrees and install in the door.