

AX60810 NEW

Wall Mount Chassis for ATX and Micro-ATX Motherboards

Features

- Supports ATX/micro-ATX motherboard
- Front-accessible one 5.25" HDD and two 3.5" HDD drive bays
- Equipped with a PS/2 type power supply
- One 12cm ball-bearing fan
- Bidirectional mounting chassis
- Easy removable filter
- Flexible I/O opening on rear



▲ Top view



▲ Rear view

Specifications

Standard Color	Warm gray
Construction	Heavy-duty steel
System Board	ATX or mATX
Drive Capacity	Exposed 1 x 5.25" HDD drive bay 2 x 3.5" HDD drive bays
Cooling	1 x 12cm DC fan with a removable filter
Front Panel Indicators	1 x Power on/off 1 x HDD
Front Panel Controls	1 x Power on/off 1 x System reset
Front Panel Connector	2 x USB
Operating Temperature	0°C to +40°C (+32°F to +104°F)
Dimensions	196 mm (7.716") (W) x 407.4 mm (16.039") (D) x 330 mm (12.992") (H)
Weight (net/gross)	9 kg (19.84 lb)/10.3 kg (22.7 lb)

Ordering Information

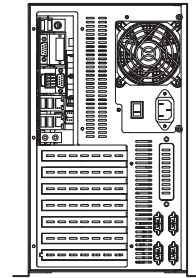
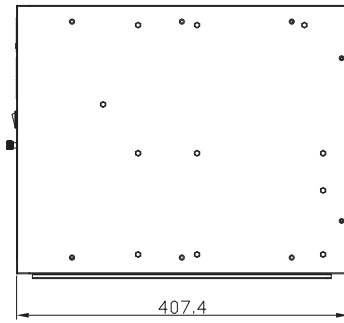
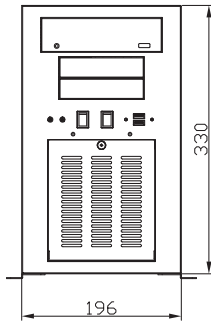
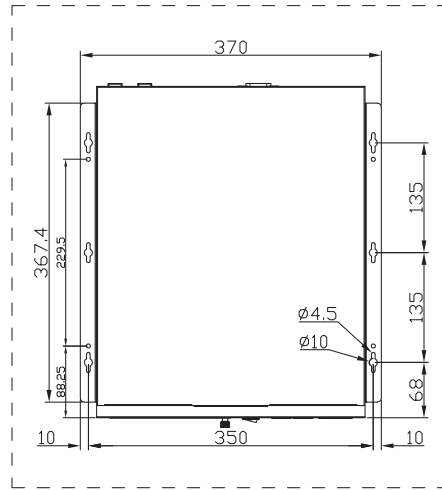
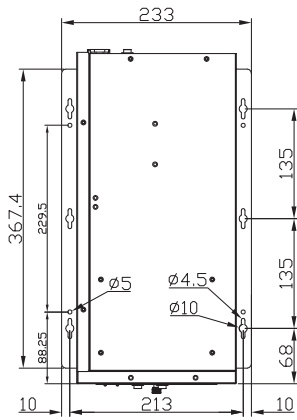
AX60810WM/X300W	Wall mount chassis with ATX 300W power supply
AX60810WM/X400W	Wall mount chassis with ATX 400W power supply
AX60810WM/X500W	Wall mount chassis with ATX 500W power supply

*Specifications and certifications are based on options and may vary.

Optional Items

2 x 3.5" HDD drive bays bracket or 1 USB dongle kit

Dimensions



1

2

3

4

5

6

7

Backplanes

8

9