



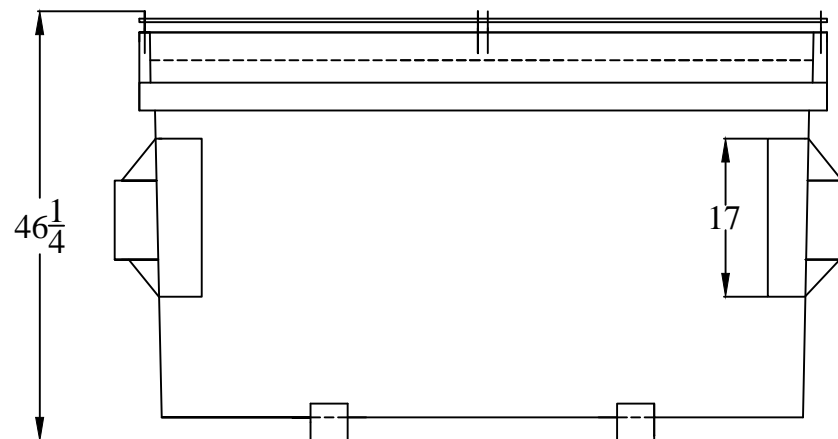
# 02 YARD SLANT

**MODEL#:** FL02SL

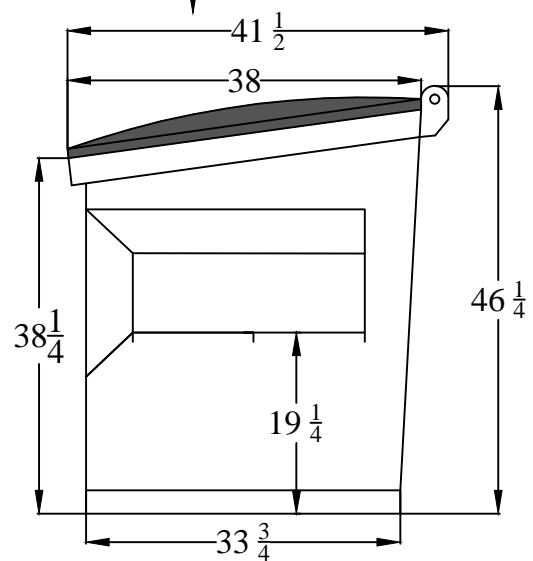
**Drawn by:** Dom Rosati

**Date:** 6/27/11

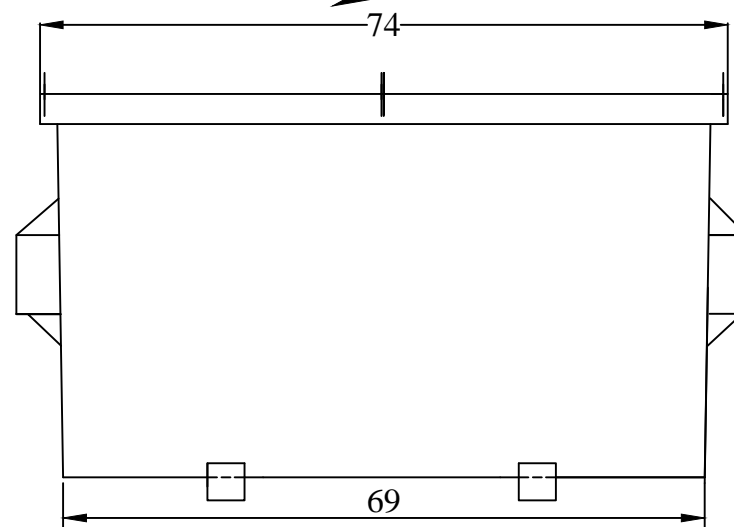
FRONT



SIDE



BACK





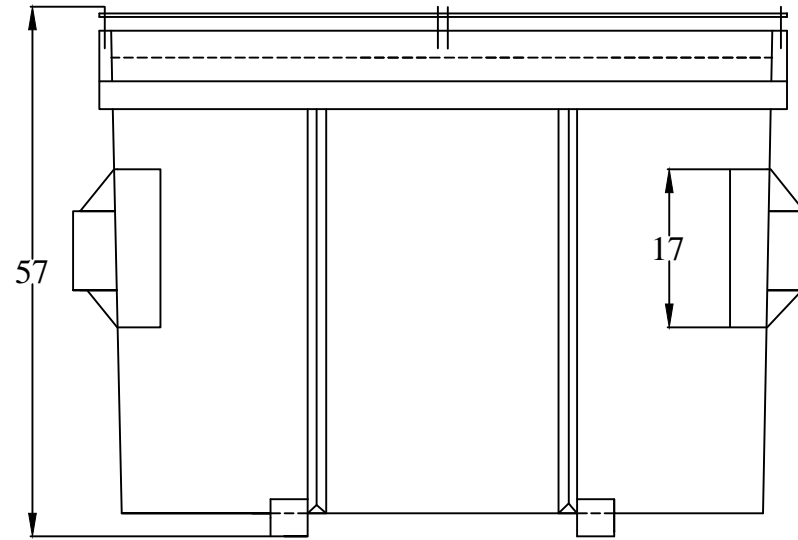
# 03 YARD SLANT

**MODEL#:** FL03SL

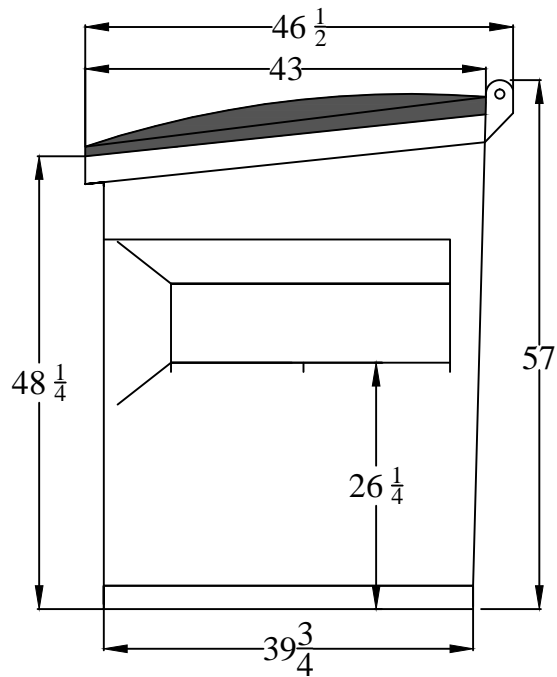
**Drawn by:** Dom Rosati

**Date:** 6/27/11

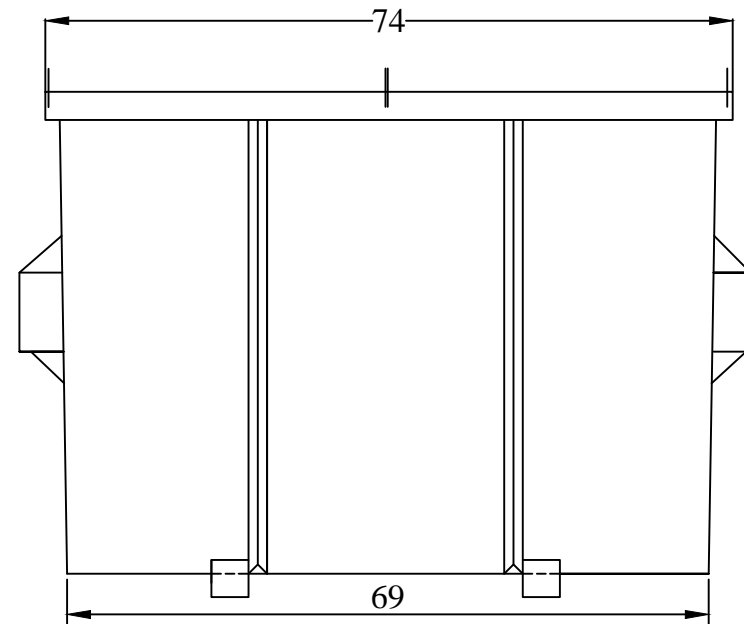
FRONT



SIDE



BACK



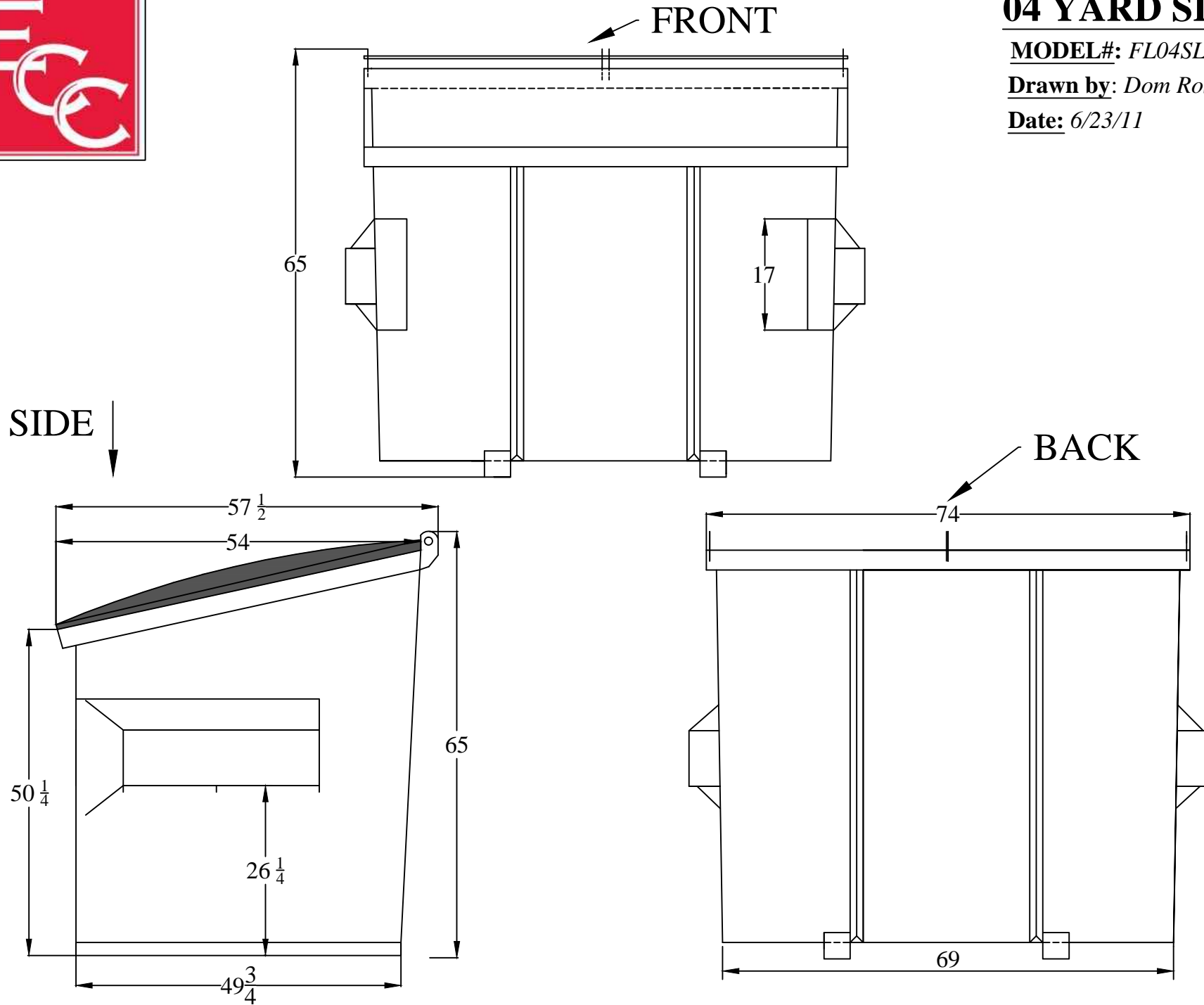


# 04 YARD SLANT

**MODEL#:** FL04SL

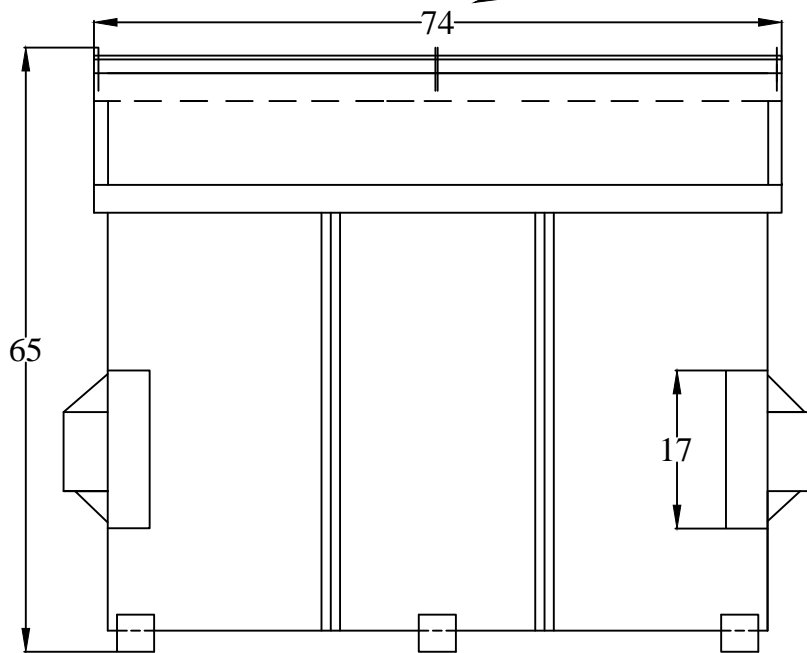
**Drawn by:** Dom Rosati

**Date:** 6/23/11





FRONT



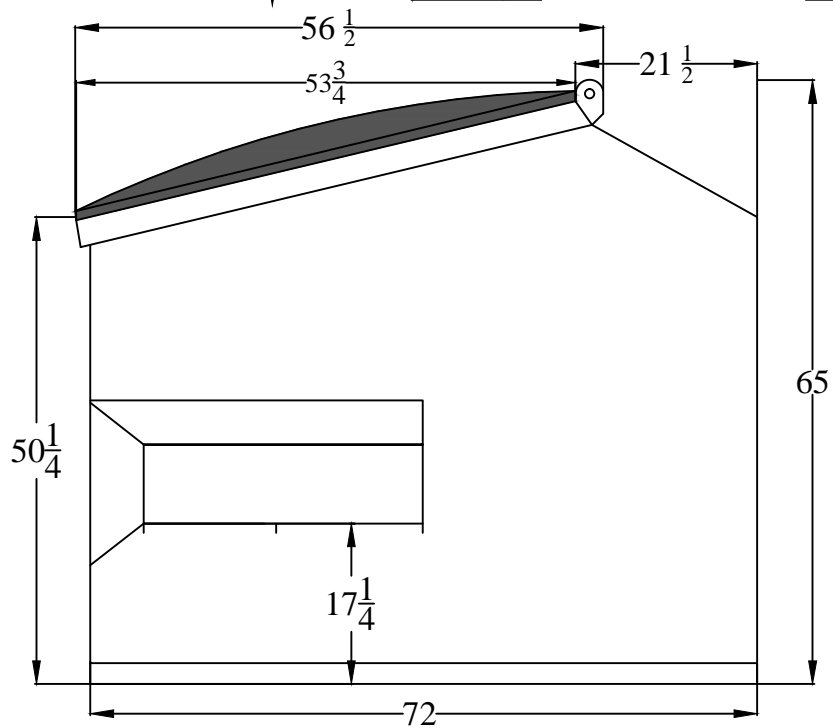
# 06 YARD SLANT

MODEL#: FL06SL

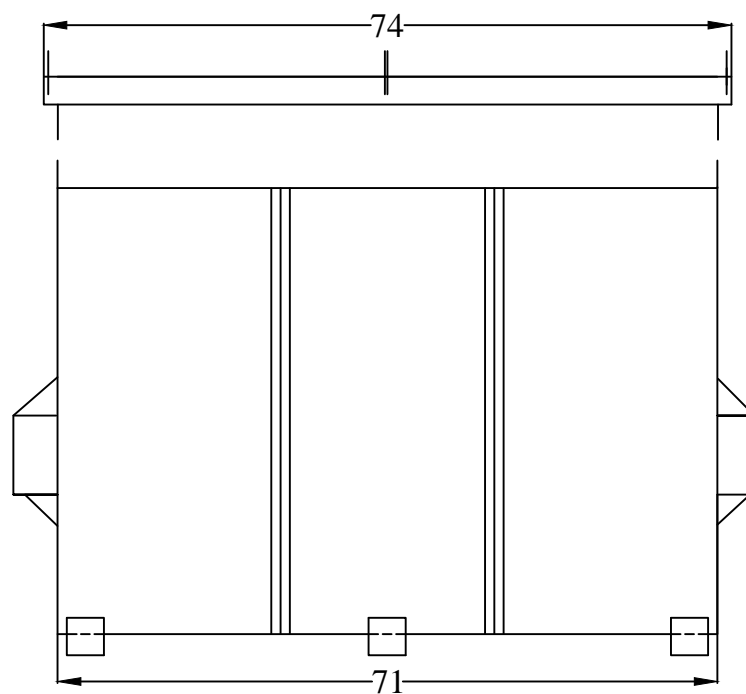
Drawn by: Dom Rosati

Date: 6/29/11

SIDE



BACK



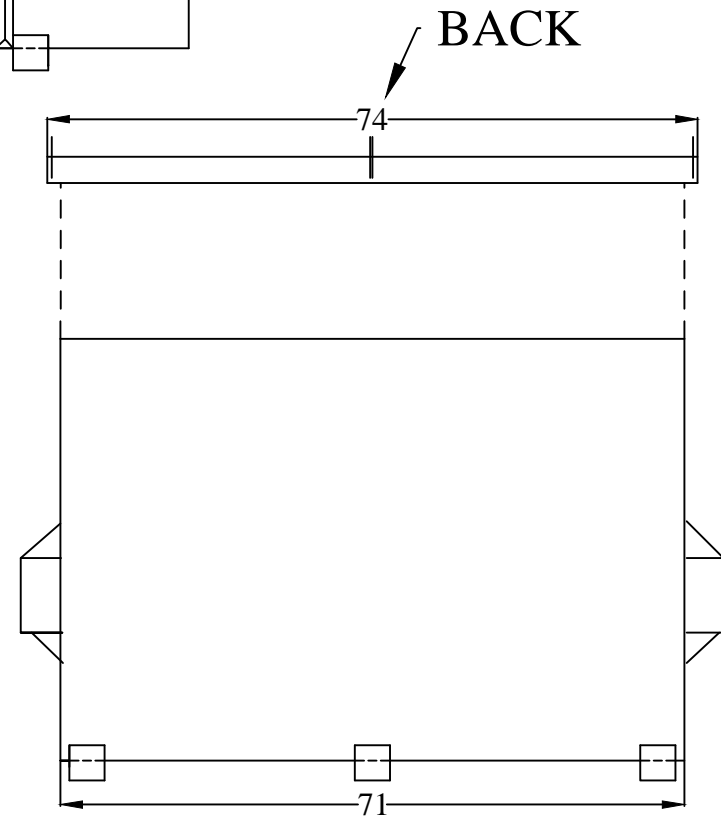
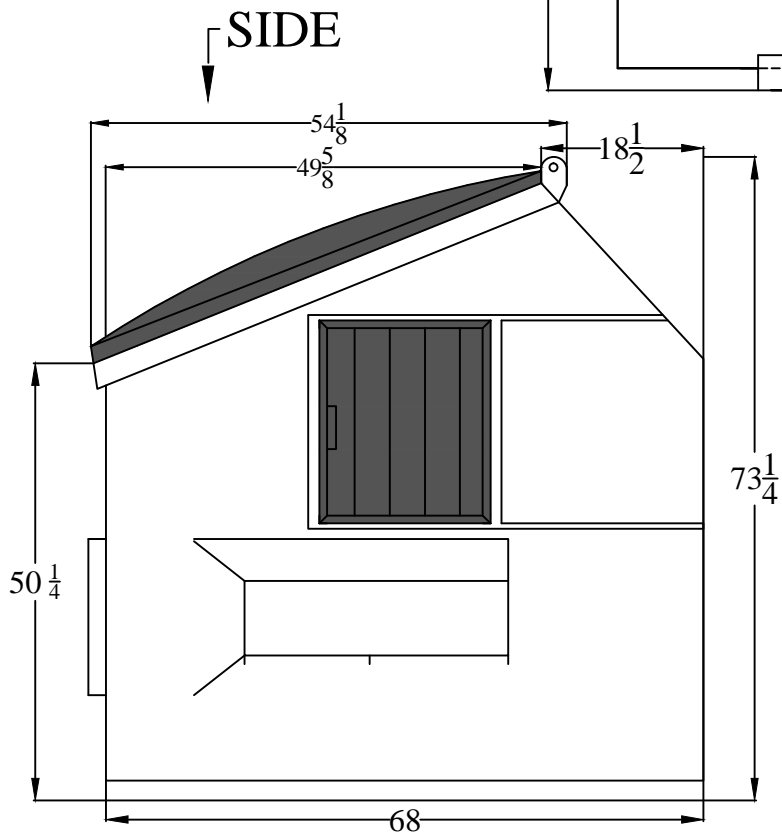
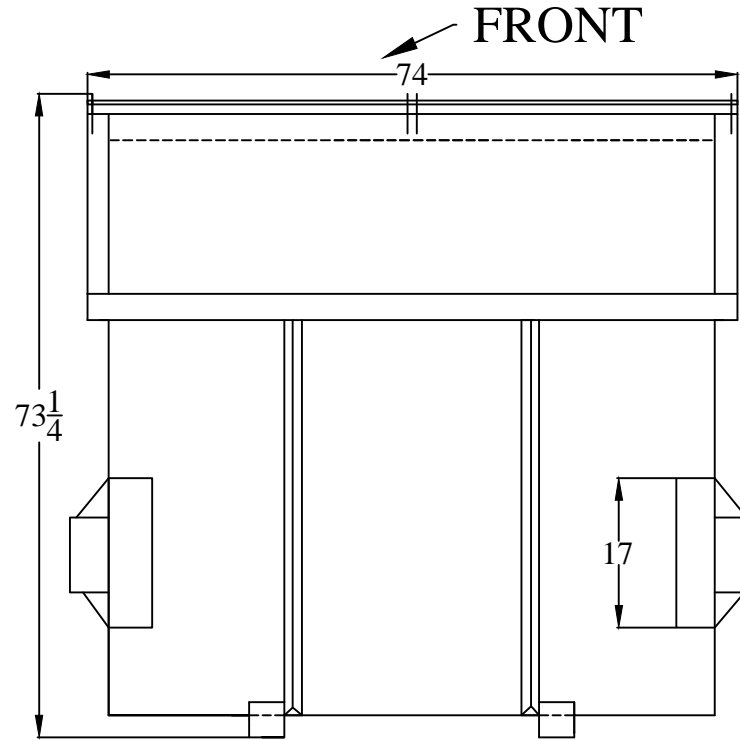


# 06 YARD SLANT SD

**MODEL#:** FL06SL-SD

**Drawn by:** Dom Rosati

**Date:** 7/11/11





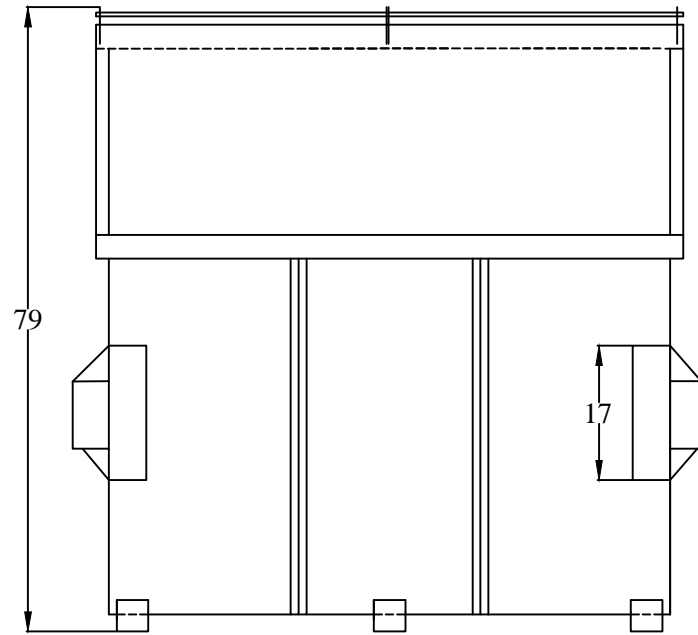
# 08 YARD SLANT

MODEL#: FL08SL

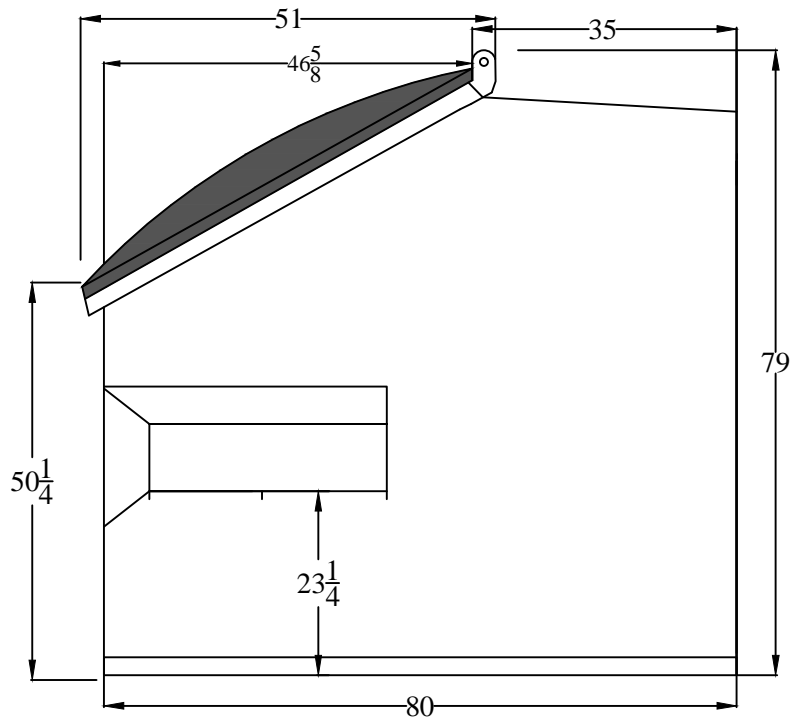
Drawn by: Dom Rosati

Date: 6/29/11

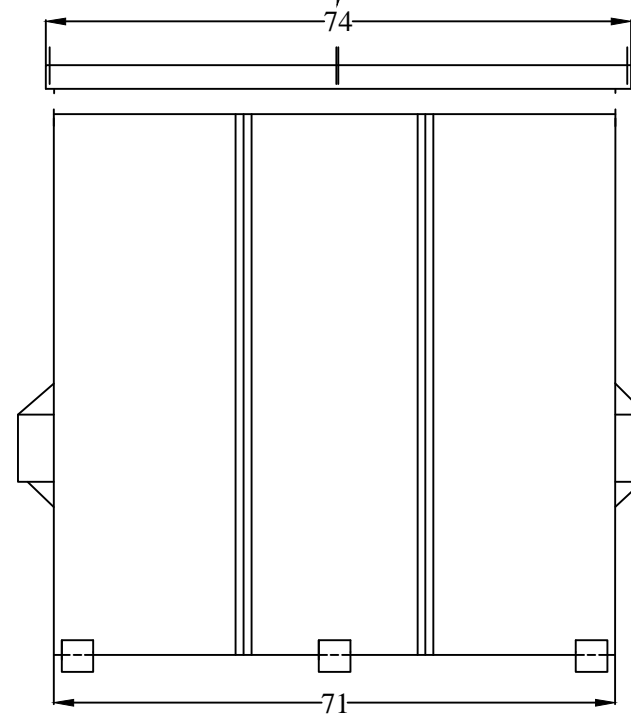
FRONT



SIDE



BACK

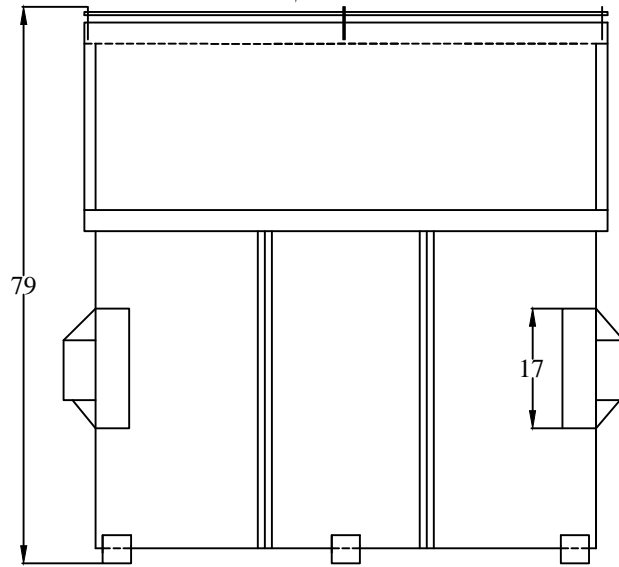




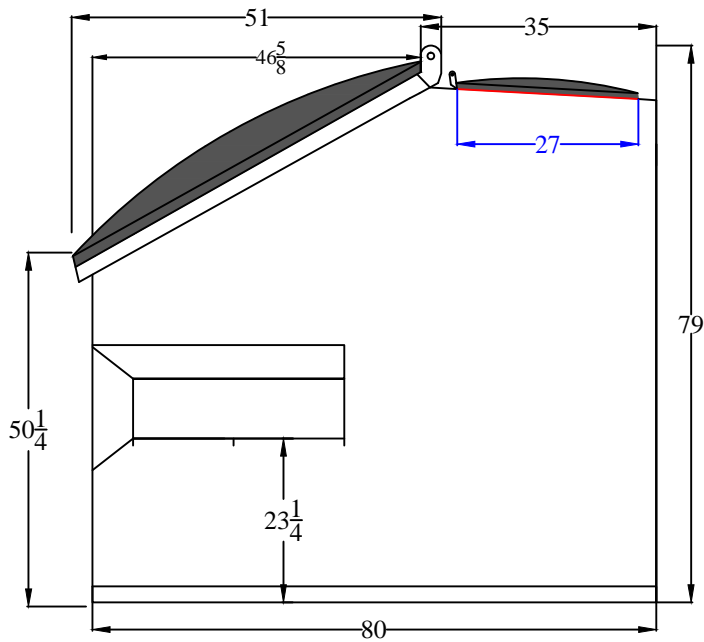
# 8 YARD SLANT

**MODEL#:** FL8SL  
**Drawn by:** Dom Rosati  
**Date:** 3/6/13

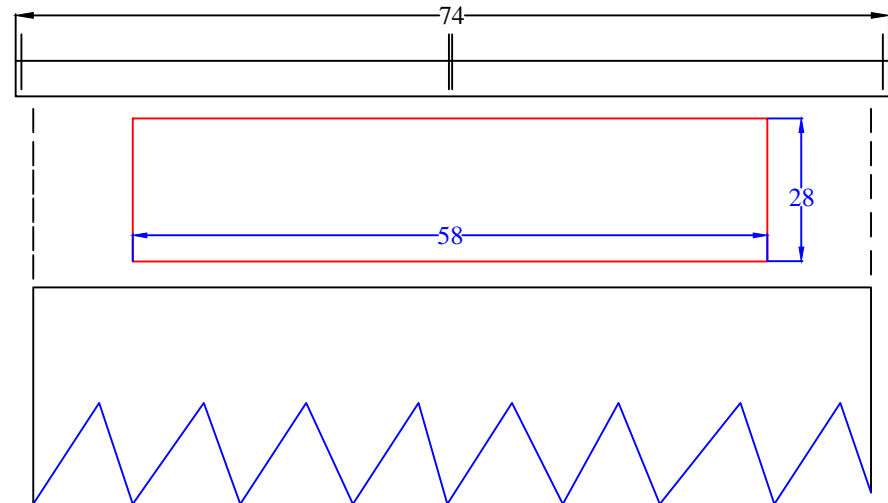
FRONT



SIDE



BACK (zoom view)





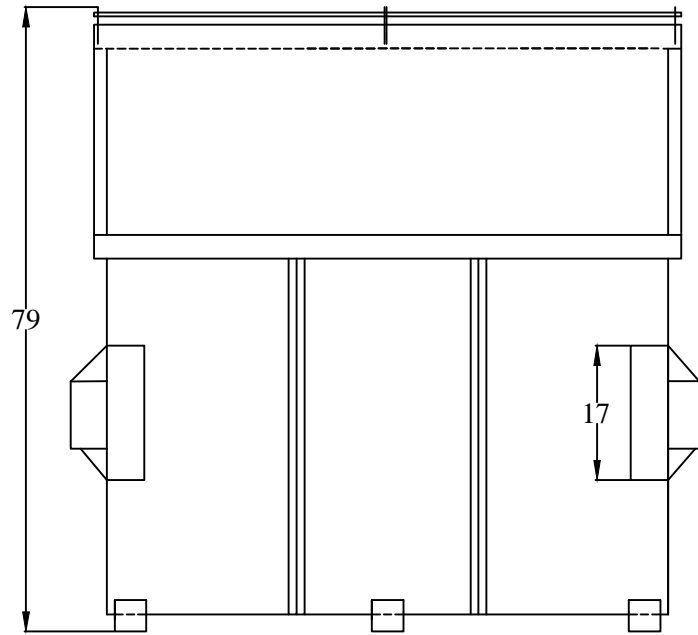
# 8 YARD SLANT-SD

MODEL#: *FL8SL-SD*

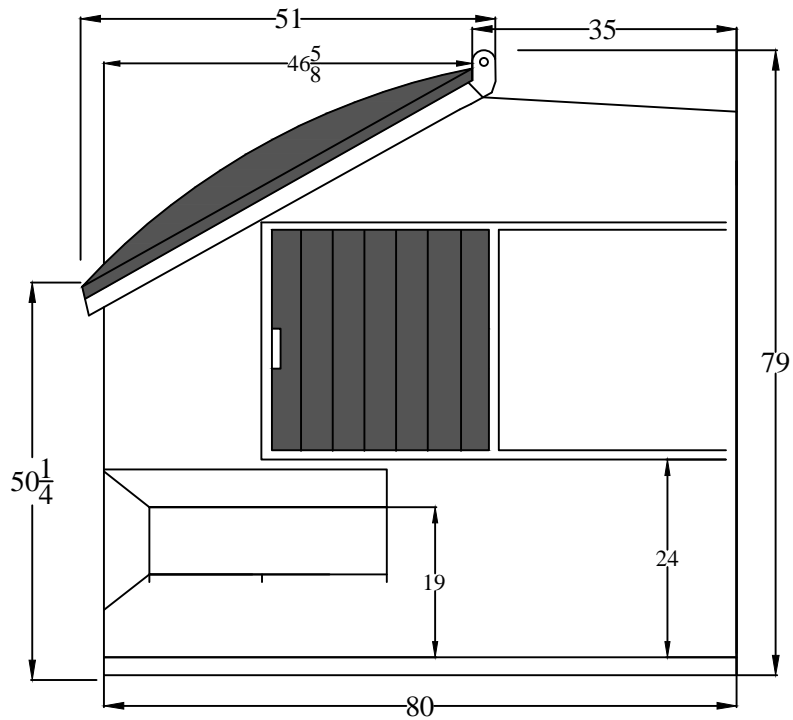
Drawn by: *Dom Rosati*

Date: *6/2/15*

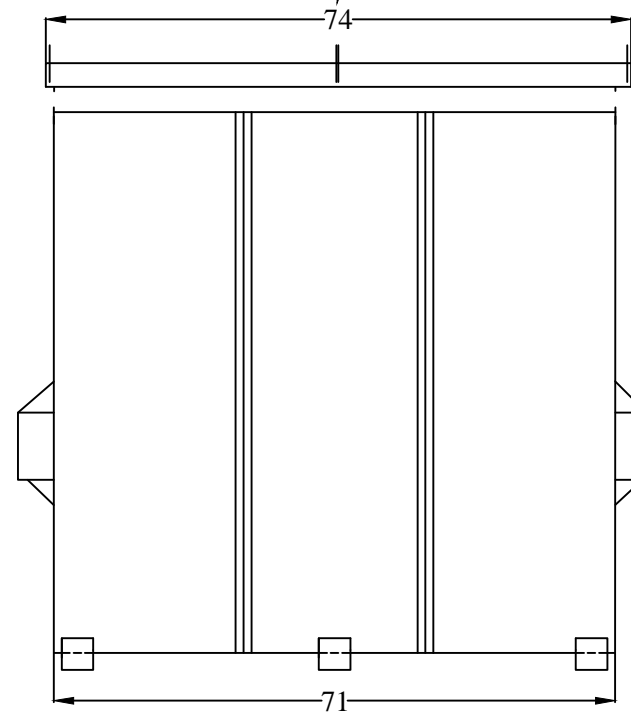
FRONT



SIDE



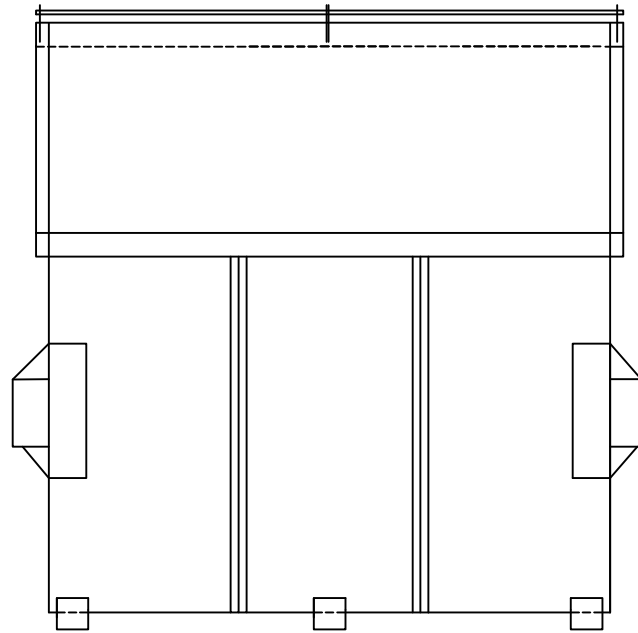
BACK







FRONT



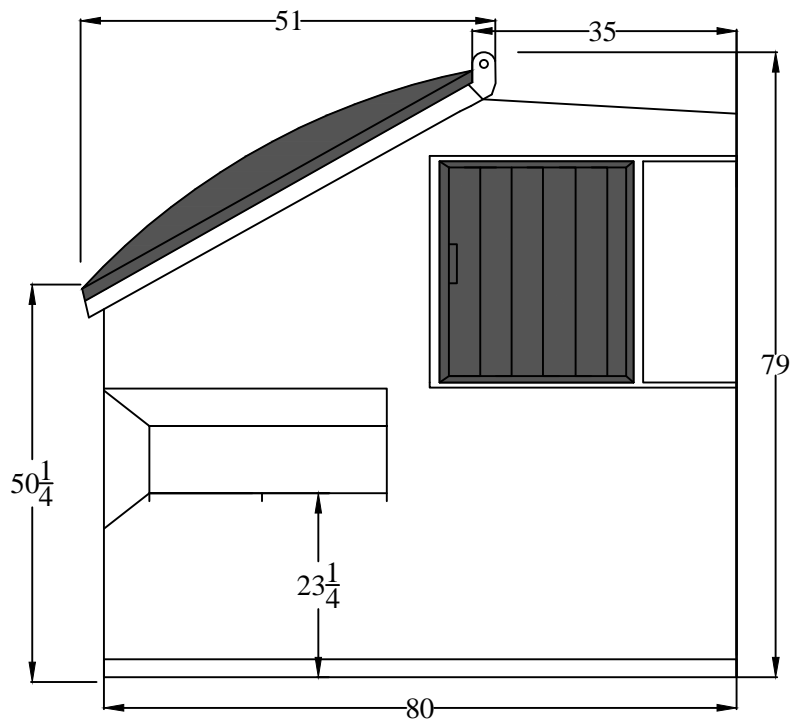
## 8 YARD SLANT

MODEL#: *FL8SLSD*

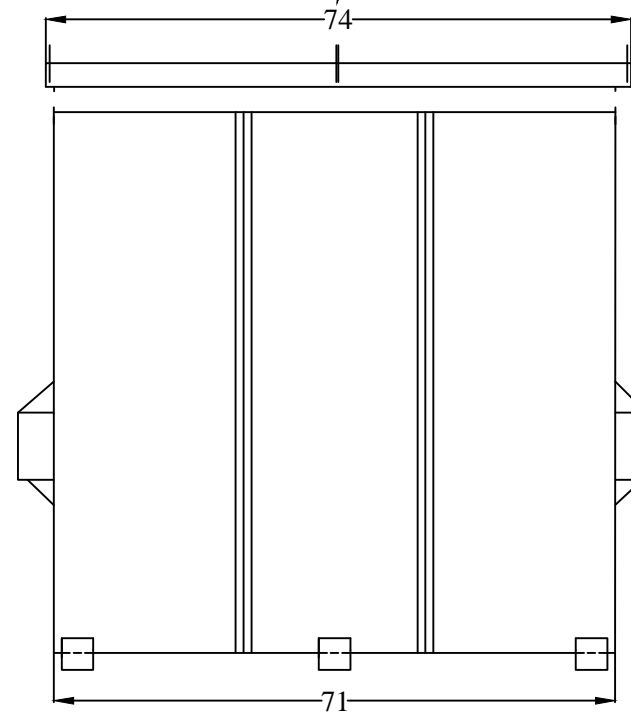
Drawn by: *Dom Rosati*

Date: *6/29/11*

SIDE



BACK



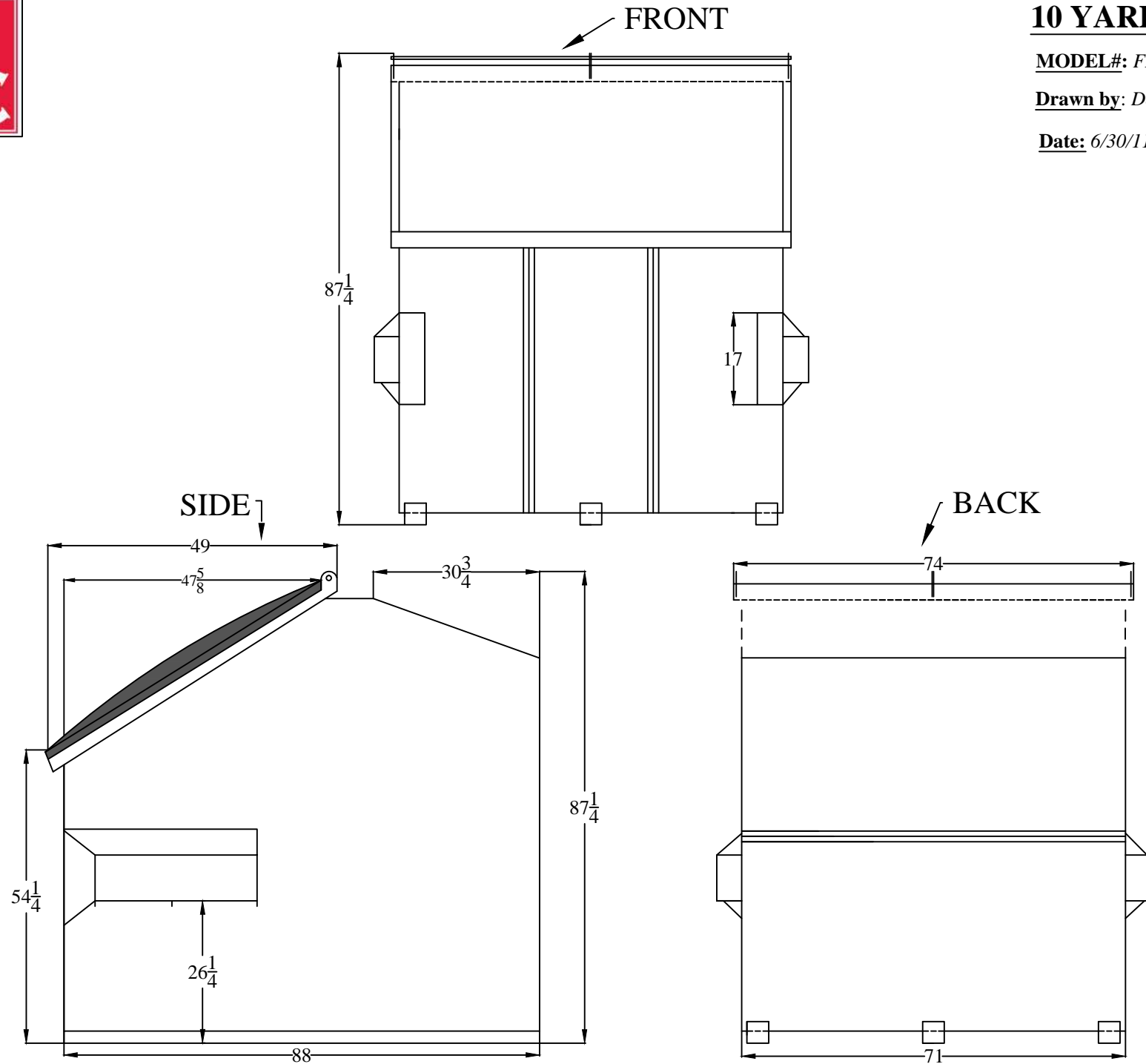


# 10 YARD SLANT

**MODEL#:** FL10SL

**Drawn by:** Dom Rosati

**Date:** 6/30/11



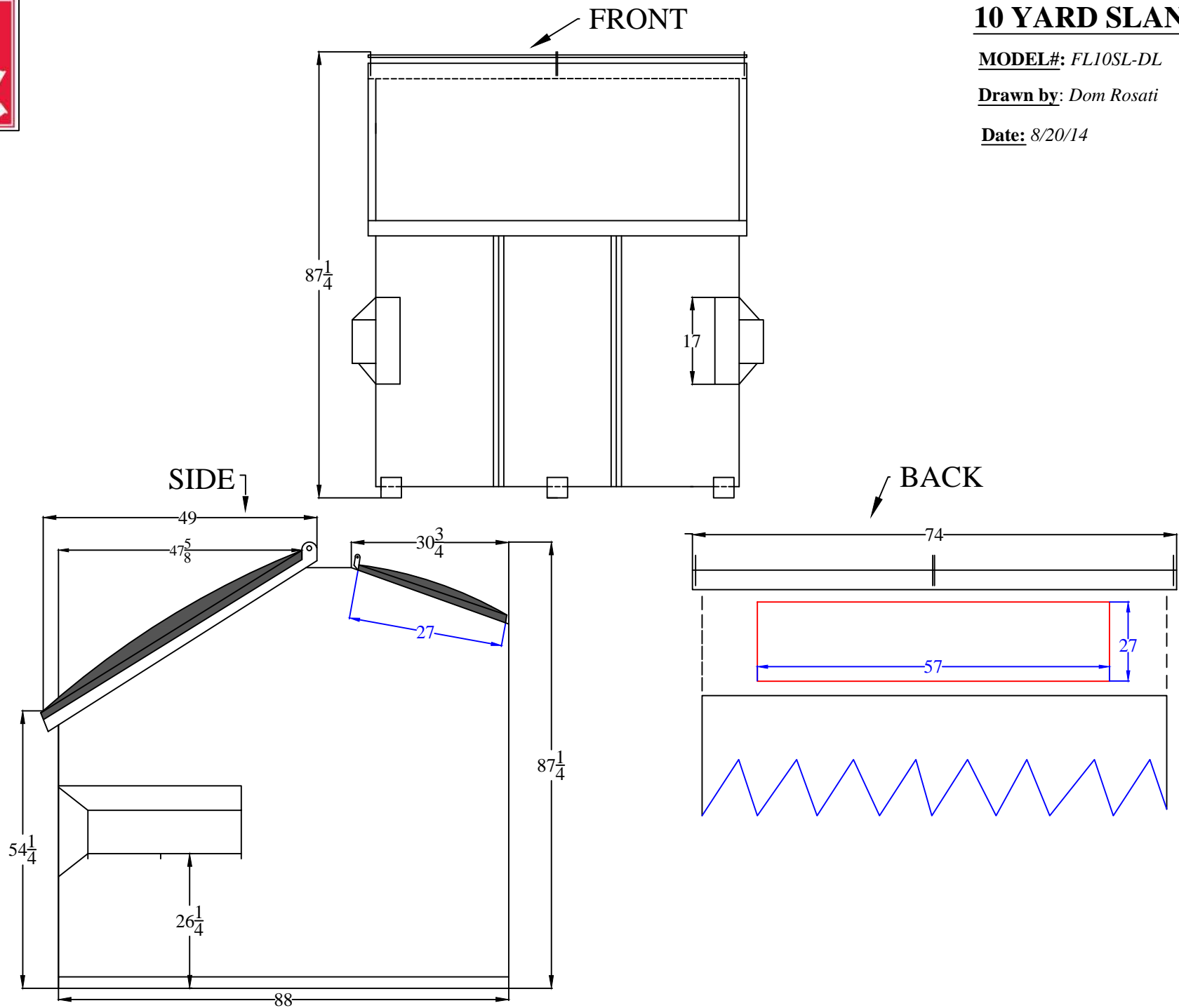


# 10 YARD SLANT

**MODEL#:** FL10SL-DL

**Drawn by:** Dom Rosati

**Date:** 8/20/14





# **10 YARD SLANT SD**

**MODEL#:** FL10SL-SD

**Drawn by:** Dom Rosati

**Date:** 6/30/11

