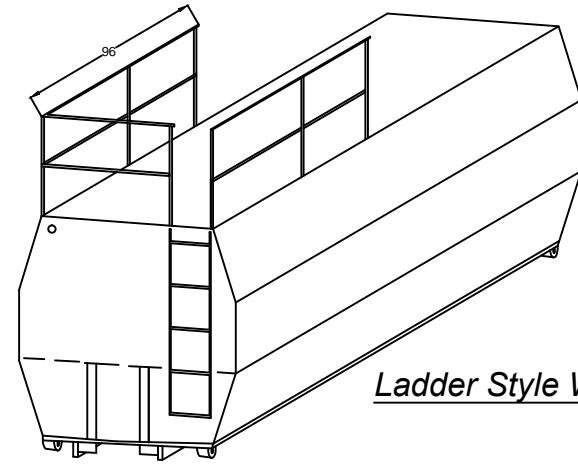


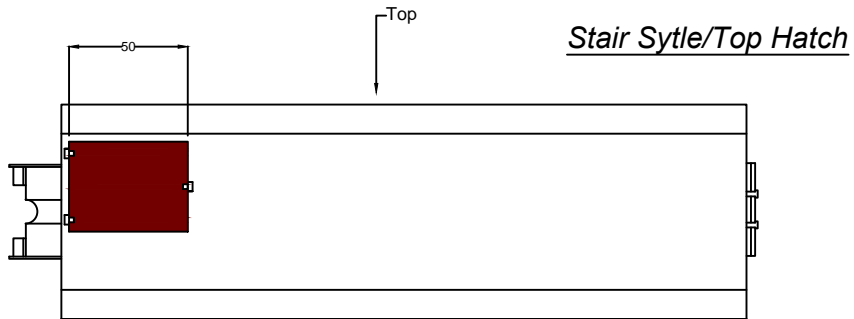


East Coast Containers

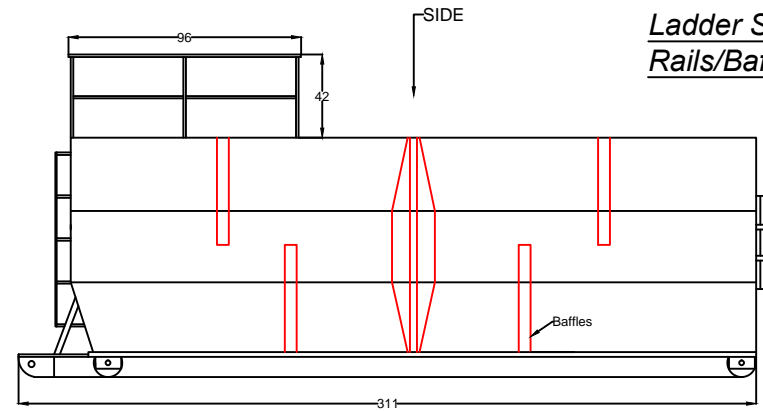
Frac-Tank for environmental clean-up



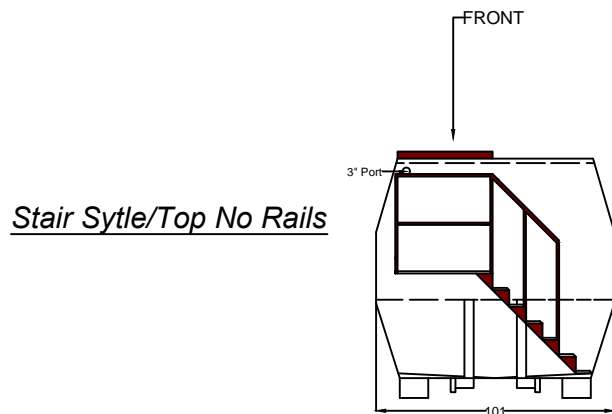
Ladder Style With Rails



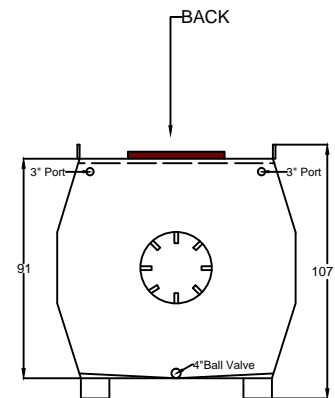
Stair Style/Top Hatch



Ladder Style With Rails/Baffles



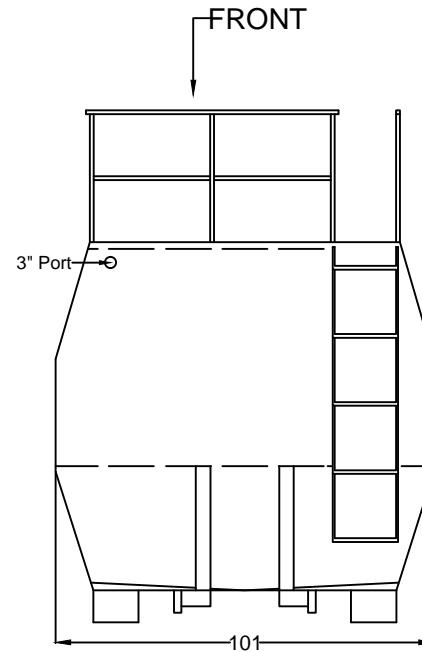
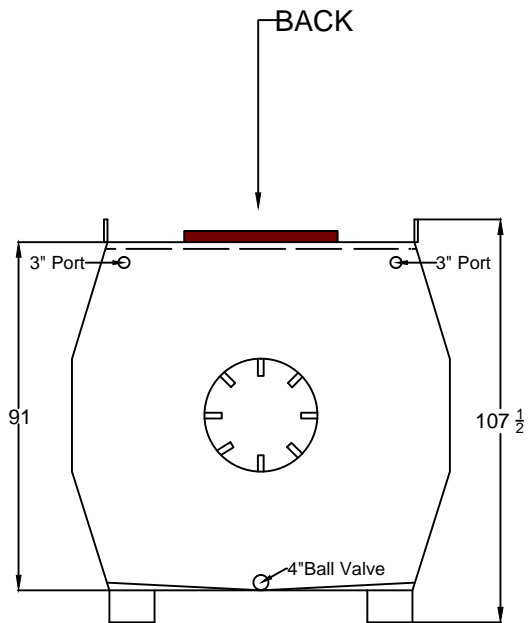
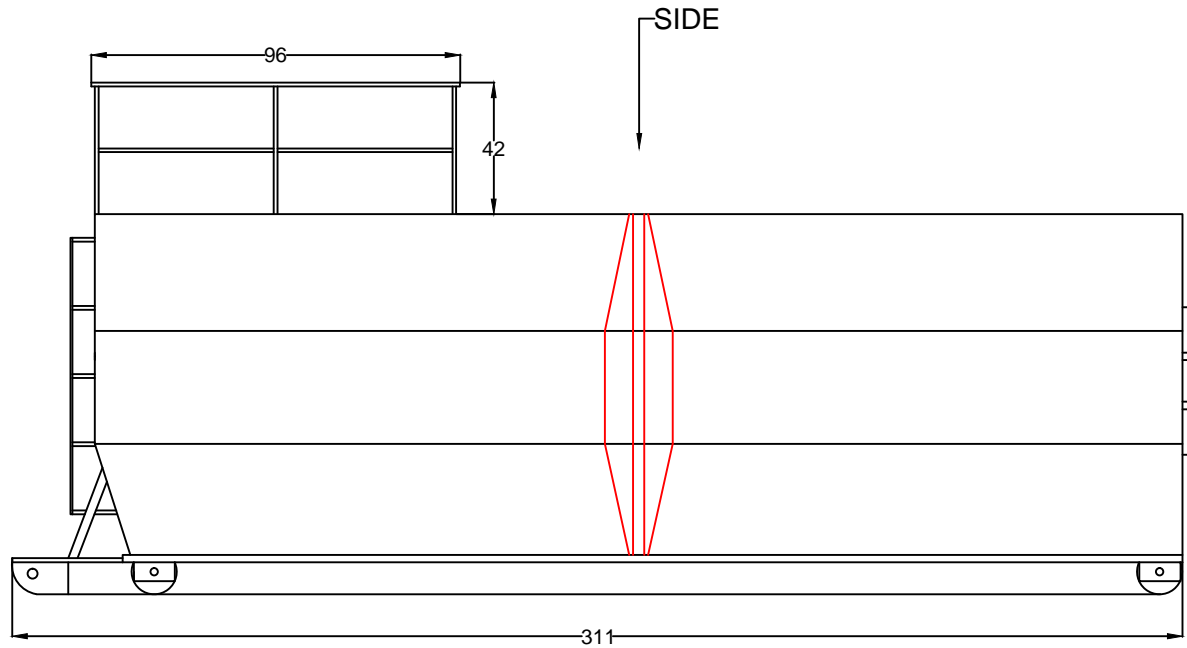
Stair Style/Top No Rails



Back View With Folded Rails

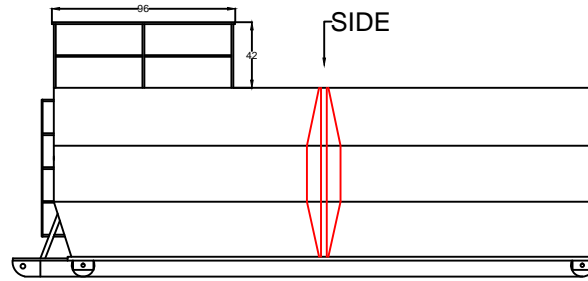


Frac-Tank
MODEL#: Frac-Tank
Drawn By: Dom Rosati
Date: 1/25/12

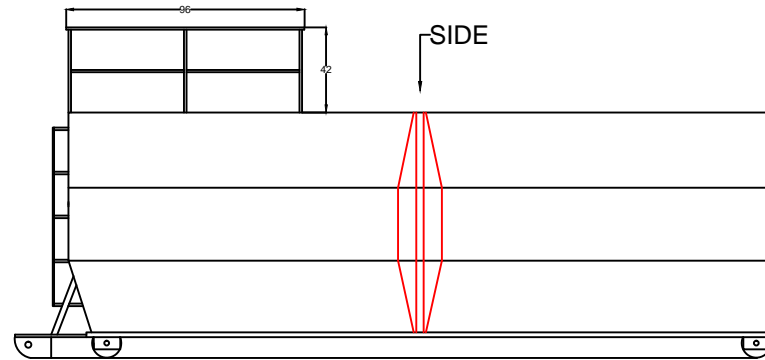




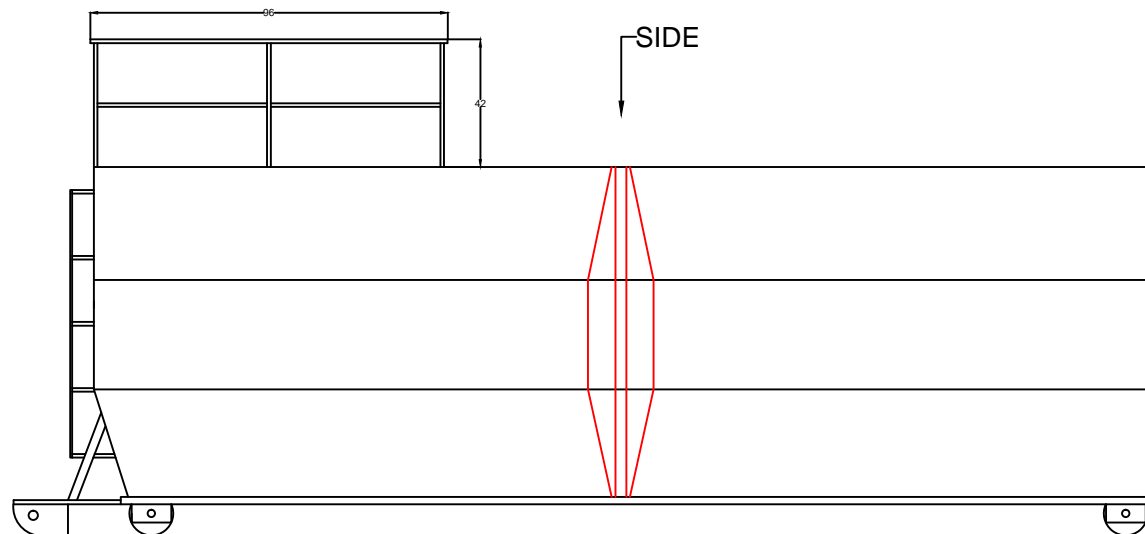
Frac-Tank
MODEL#: Frac-Tank
Drawn By: *Dom Rosati*
Date: 3/6/13



22 Foot Skid- 8,698 Gallons



24 Foot Skid- 9,546 Gallons



26 Foot Skid- 10,417 Gallons