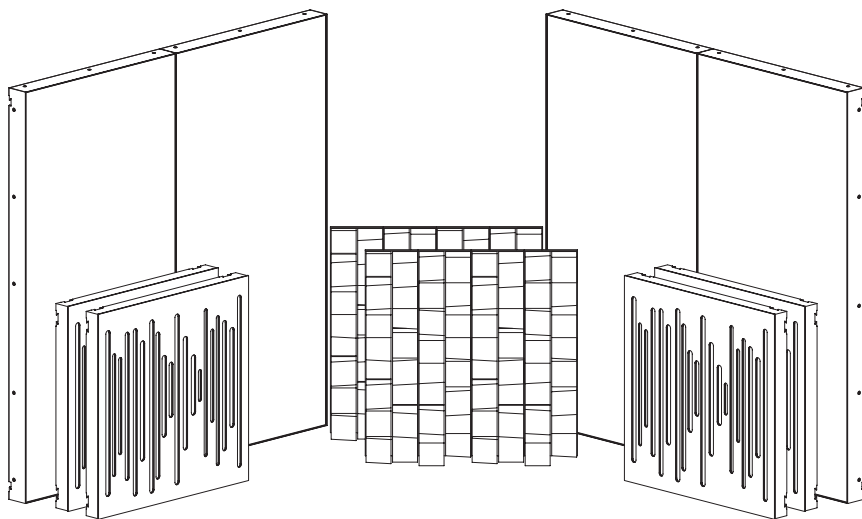


# VicAudiophile VMT Kit

Installation Manual

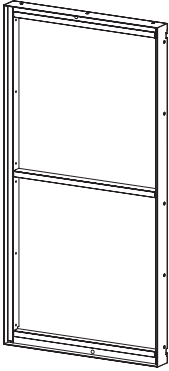
EN



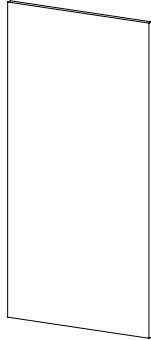


✓ MATERIAL NEEDED

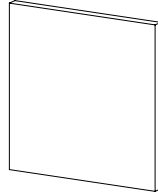
Included



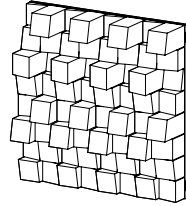
VicSpacer x4



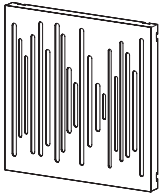
Flat Panel VMT x4



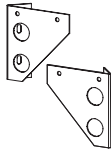
VicPET Wool x8



Multifuser 64 x2



VicPattern Ultra x4



VicFix Corner 2+2



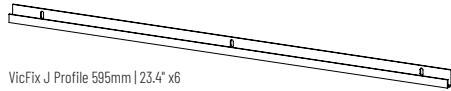
VicFix J Profile 80mm | 3.14' x4



G1\_Velcro Hook

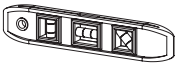


G2\_Velcro Loop



VicFix J Profile 595mm | 23.4' x6

Not Included



Level



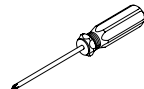
Measuring Tape



Drill



Wall Plugs and Screws



6mm Phillips Screwdriver

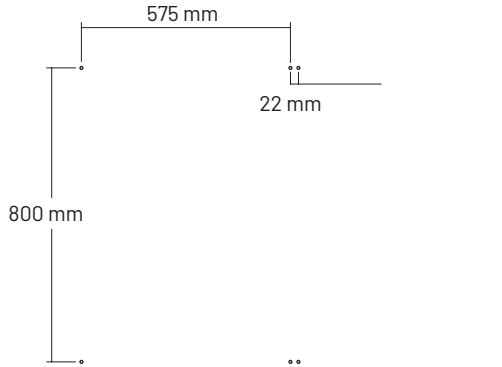
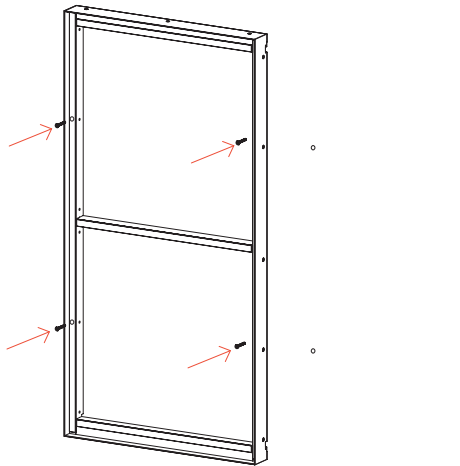
## VicSpacer Installation

### Wall Installation

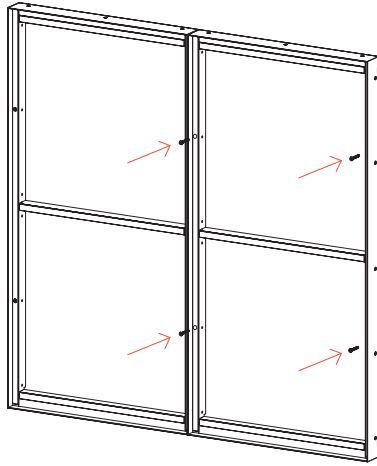
**1**

Mark the drill holes of the VicSpacers according to the diagram.

In the case of installing two or more units, pay attention to the spacing between units. The dimensions marked between VicSpacers are for use of only one metal joint between them.

**2**

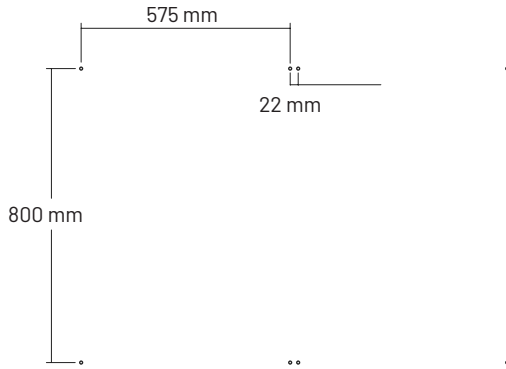
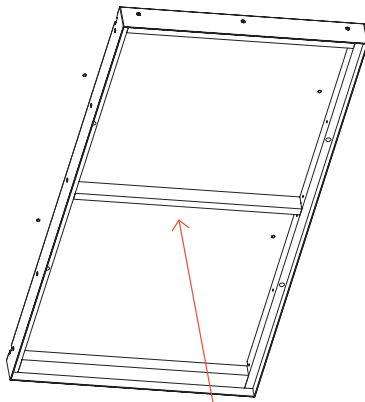
3



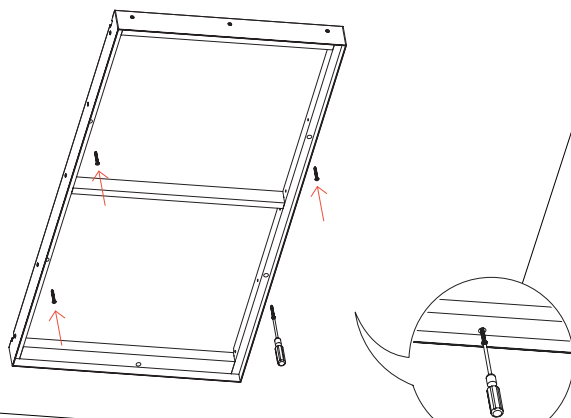
**Ceiling Installation****1**

Mark the drill holes of the VicSpacers according to the diagram.

In the case of installing two or more units, pay attention to the spacing between units. The dimensions marked between VicSpacers are for use of only one metal joint between them.

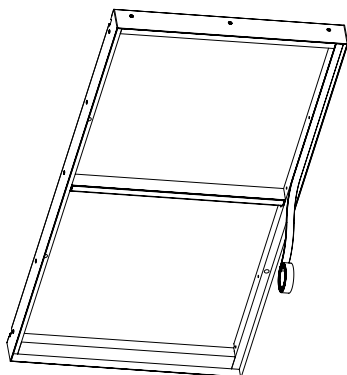
**2**

3



4

Cut the velcro tape G1 with the length of the plywood strips and apply it on the side indicated in the diagram . In case of fixing the VicSpacer with screws, we recommend that the velcro be applied after the panel is installed.

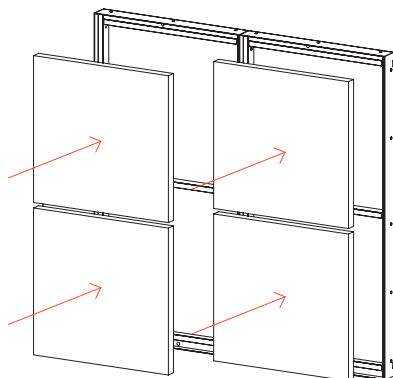


Steps Material



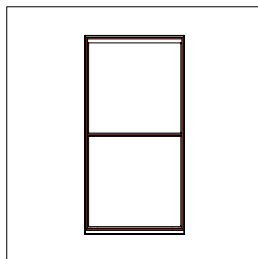
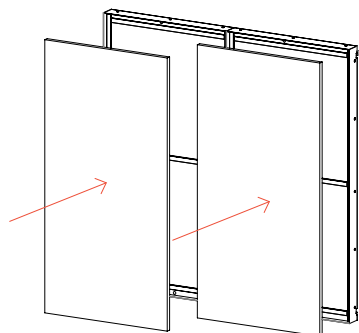
G1

## Flat Panel VMT Installation

**4****5**

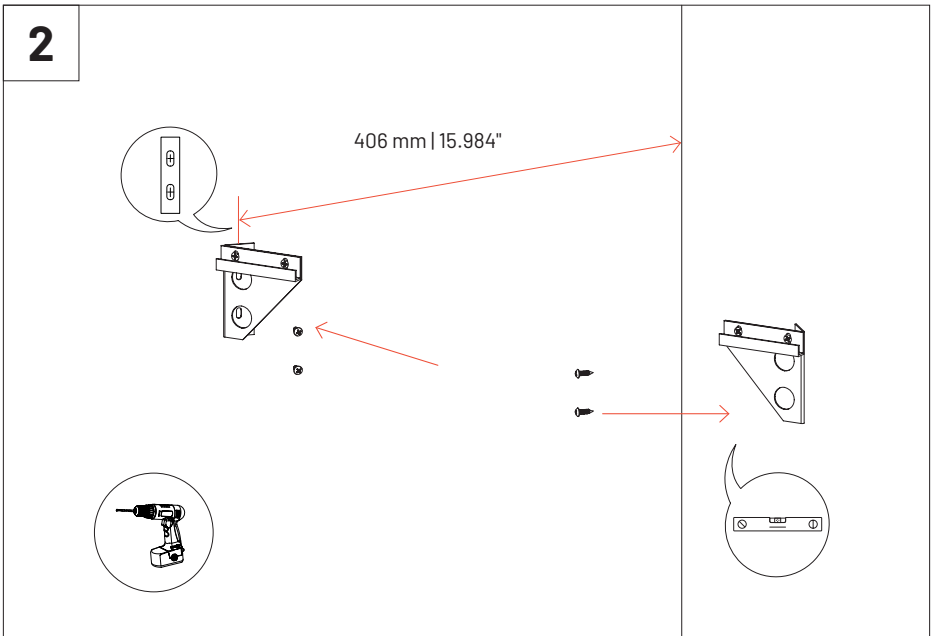
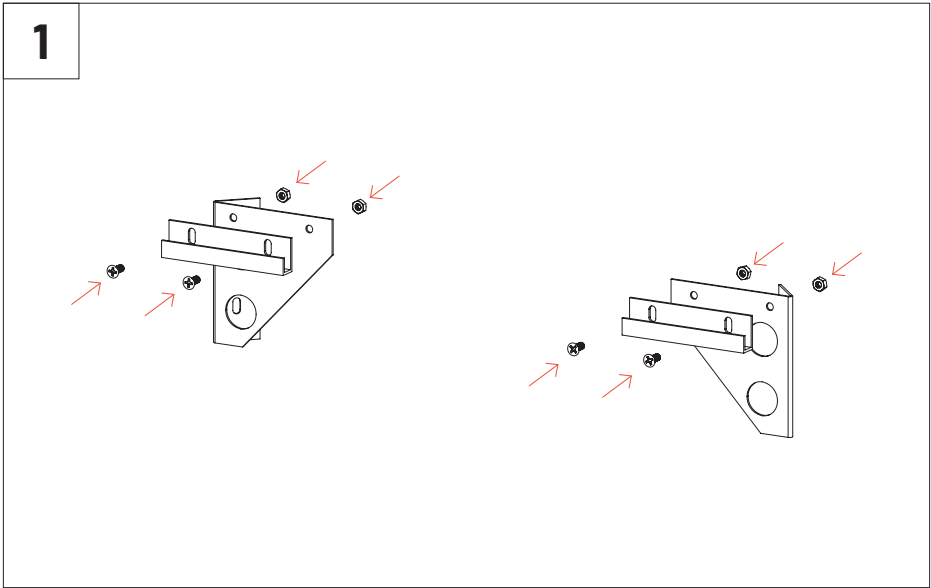
Apply the FlatPanel VMT. (Wall and Ceiling)

If you need a stronger attachment of the Flat Panel VMT to the VicSpacer, use the Velcro G2 (hook) supplied with the product. Apply Velcro G2 over the Velcro G1 already affixed to the VicSpacer, remove the adhesive protector and press the Flat Panel VMT to ensure an even and precise adherence.

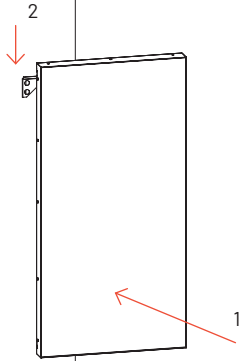




# VicFix Corner Installation



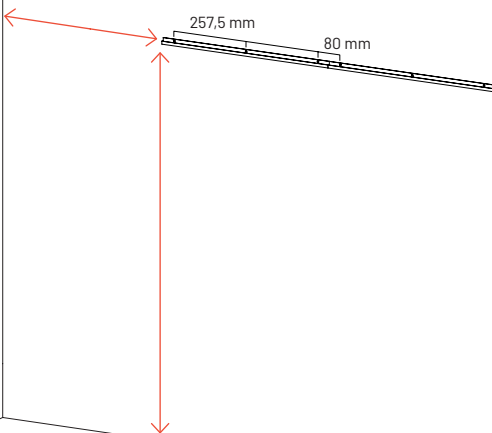
3



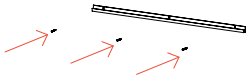
### VicPattern and Multifuser Wood MKII 64 Wall Installation

1

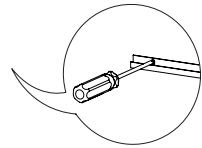
Define where you want to install the panels and start marking the drill holes for fixing the profiles to the wall.



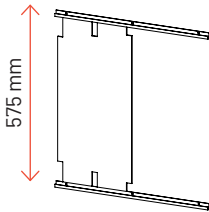
2



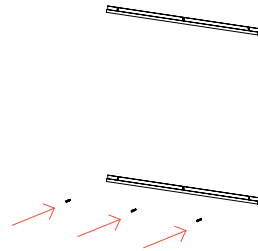
3

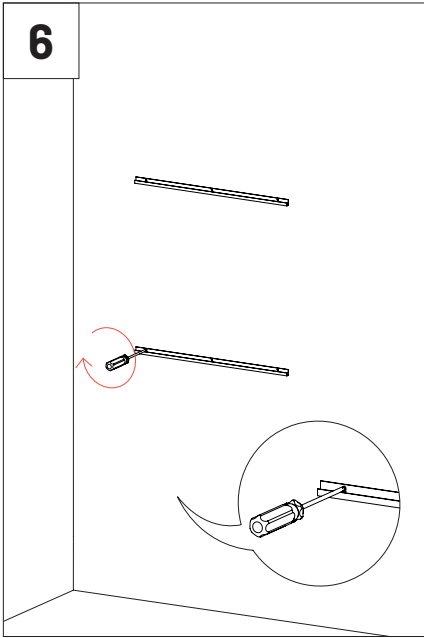


4

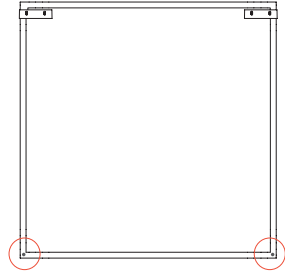


5

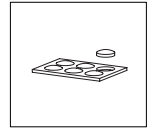
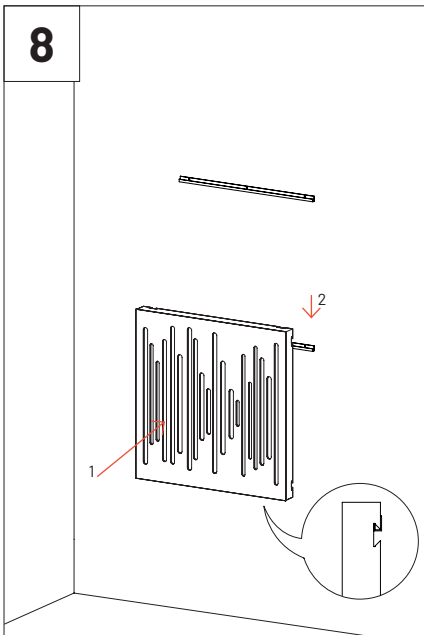
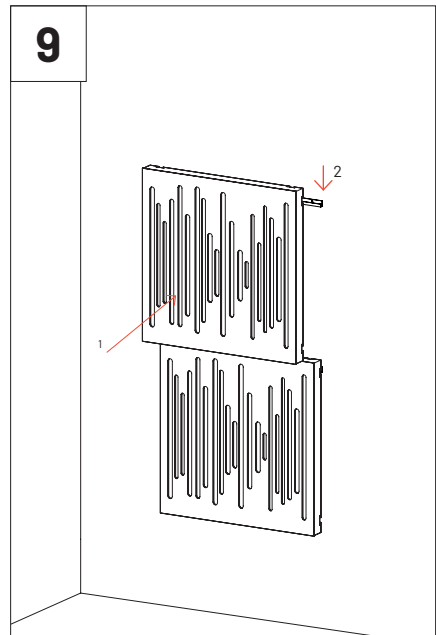


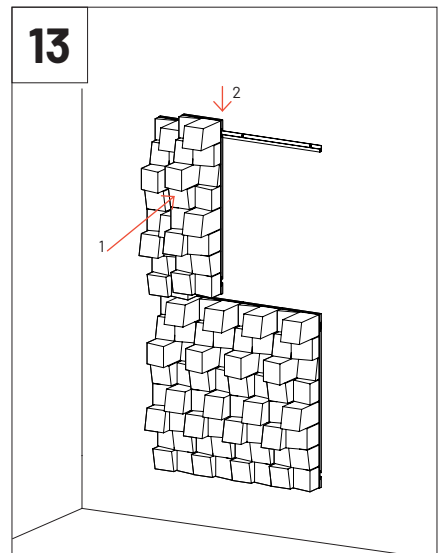
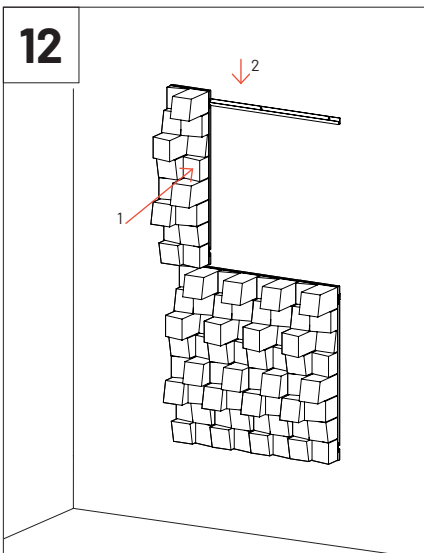
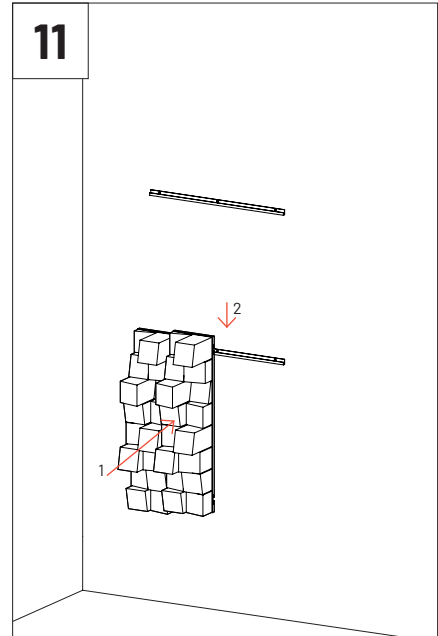
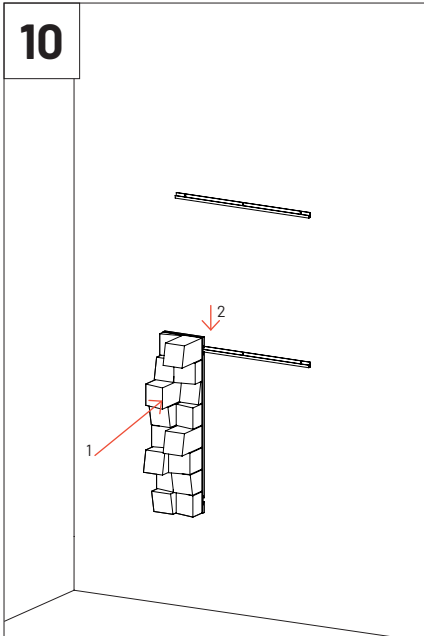
**6****7**

Turn the panels on their back and apply the silicone drops as indicated in the diagram.



Steps Material

**8****9**



**Please note:** It is recommended to apply a blocking element such as a L profile or a small screw to avoid the end panels to slide off the VicFix J profile.





### **Main Office, R&D & Logistics**

Avenida do Pólo 3, N.º 159, Carvalhosa  
4590-137 Paços de Ferreira, Portugal

### **Office**

Rua Quinta do Bom Retiro N.º 16, Armazém 9  
2820-690 Charneca da Caparica, Portugal  
T (+351) 212 964 100

### **Info and Sales**

E [sales@vicoustic.com](mailto:sales@vicoustic.com)

[www.vicoustic.com](http://www.vicoustic.com)



© Vicoustic, 2021 | V2

No parts of this document might be copied and/or published without written consent of Vicoustic.