

Technics®

OTTAVA™ S



(Image: SC-C50)

Owner's Manual

Wireless Speaker System

SC-C50 / SC-C30

Music is borderless and timeless, touching people's hearts across cultures and generations.

Each day the discovery of a truly emotive experience from an unencountered sound awaits.

Let us take you on your journey to rediscover music.

Rediscover Music™

Technics

Delivering the Ultimate Emotive Musical Experience to All

At Technics we understand that the listening experience is not purely about technology but the magical and emotional relationship between people and music.

We want people to experience music as it was originally intended and enable them to feel the emotional impact that enthuses and delights them.

Through delivering this experience we want to support the development and enjoyment of the world's many musical cultures. This is our philosophy.

With a combination of our love of music and the vast high-end audio experience of the Technics team, we stand committed to building a brand that provides the ultimate emotive musical experience by music lovers, for music lovers.

Director
Michiko Ogawa

A handwritten signature in black ink, reading "Michiko Ogawa". The signature is fluid and cursive, with a long horizontal flourish extending to the right.

Thank you for purchasing this product.

Please read these instructions carefully before using this product, and save this manual for future use.

- About descriptions in this Owner's Manual
 - Pages to be referred to are indicated as "⇒ ○○".
 - The illustrations shown may differ from your unit.

If you have any questions, visit:

U.S.A.: <http://shop.panasonic.com/support>

Canada: www.panasonic.ca/english/support

Register online at

<http://shop.panasonic.com/support>

(U.S. customers only)

Features

Amazingly clear and deep sound
in room-filling soundstage

Speakers are optimally positioned in its compact, arc form design. These are powerfully driven by a 2.1-channel full digital amp to obtain room-filling Hi-Fi sound.

Optimizing sound for any music
listening environment

Space Tune™ optimizes the sound no matter where it is placed or where you are listening. A built-in microphone enables a new Auto function to optimize the listening environment from the main unit or a smartphone app with a simple operation.

Broad selection of streaming
services, easy-to-use controls

An easy-to-use connectivity supports USB, analog input (AUX), optical input, AirPlay, Bluetooth®, Chromecast built-in, Spotify, TIDAL, Deezer, internet radio and Network Playback (access stored music), allowing comfortable playback of a diverse range of music sources from a single unit.

Table of contents

| | |
|------------|----|
| Read first | 06 |
|------------|----|

Please carefully read the "IMPORTANT SAFETY INSTRUCTIONS" of this manual before use.

| | |
|-------------------------|----|
| Control reference guide | 15 |
|-------------------------|----|

This unit (front/top/rear)

| | |
|-------------|----|
| Connections | 20 |
|-------------|----|

AC power supply cord connection, Network settings

| | |
|------------|----|
| Operations | 30 |
|------------|----|

Streaming online music, etc.

| | |
|----------|----|
| Settings | 48 |
|----------|----|

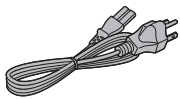
Favorite function, Other settings

| | |
|--------|----|
| Others | 52 |
|--------|----|

Troubleshooting, Specifications, etc.

Accessories

AC power supply cord (1)
K2CG3YY00209



- The smartphone on the cover page is not supplied with this unit.
- Product numbers provided in this Owner's Manual are correct as of August 2019.
- These may be subject to change.
- Do not use AC power supply cord with other equipment.

Read first

IMPORTANT SAFETY INSTRUCTIONS... 07

Warning 08

Caution 08

Installation 12

Installation 12

Notes on the speakers 12


For optimum sound effects 12

Unit care 13

Using "Technics Audio Center" 13

Firmware updates 13

To dispose of or transfer this unit 14

 Table of contents ... 04

IMPORTANT SAFETY INSTRUCTIONS

Read these operating instructions carefully before using the unit. Follow the safety instructions on the unit and the applicable safety instructions listed below. Keep these operating instructions handy for future reference.

- 1 Read these instructions.
- 2 Keep these instructions.
- 3 Heed all warnings.
- 4 Follow all instructions.
- 5 Do not use this apparatus near water.
- 6 Clean only with dry cloth.
- 7 Do not block any ventilation openings. Install in accordance with the manufacturer's instructions.
- 8 Do not install near any heat sources such as radiators, heat registers, stoves, or other apparatus (including amplifiers) that produce heat.
- 9 Do not defeat the safety purpose of the polarized or grounding-type plug. A polarized plug has two blades with one wider than the other. A grounding-type plug has two blades and a third grounding prong. The wide blade or the third prong are provided for your safety. If the provided plug does not fit into your outlet, consult an electrician for replacement of the obsolete outlet.
- 10 Protect the power cord from being walked on or pinched particularly at plugs, convenience receptacles, and the point where they exit from the apparatus.
- 11 Only use attachments/accessories specified by the manufacturer.
- 12 Use only with the cart, stand, tripod, bracket, or table specified by the manufacturer, or sold with the apparatus. When a cart is used, use caution when moving the cart/apparatus combination to avoid injury from tip-over.
- 13 Unplug this apparatus during lightning storms or when unused for long periods of time.
- 14 Refer all servicing to qualified service personnel. Servicing is required when the apparatus has been damaged in any way, such as power-supply cord or plug is damaged, liquid has been spilled or objects have fallen into the apparatus, the apparatus has been exposed to rain or moisture, does not operate normally, or has been dropped.



Warning

Unit

- To reduce the risk of fire, electric shock or product damage,
 - Do not expose this unit to rain, moisture, dripping or splashing.
 - Do not place objects filled with liquids, such as vases, on this unit.
 - Use the recommended accessories.
 - Do not remove covers.
 - Do not repair this unit by yourself. Refer servicing to qualified service personnel.
 - Do not let metal objects fall inside this unit.
 - Do not place heavy items on this unit.

AC power supply cord

- The power plug is the disconnecting device. Install this unit so that the power plug can be unplugged from the socket outlet immediately.
- Ensure the earth pin on the power plug is securely connected to prevent electrical shock.
 - An apparatus with CLASS I construction shall be connected to a power socket outlet with a protective earthing connection.

Caution



Unit

- Do not place sources of naked flames, such as lighted candles, on this unit.
- This unit may receive radio interference caused by mobile telephones during use. If such interference occurs, please increase separation between this unit and the mobile telephone.

Placement

- Place this unit on an even surface.
- To reduce the risk of fire, electric shock or product damage,
 - Do not install or place this unit in a bookcase, built-in cabinet or in another confined space. Ensure this unit is well ventilated.
 - Do not obstruct this unit's ventilation openings with newspapers, tablecloths, curtains, and similar items.
 - Do not expose this unit to direct sunlight, high temperatures, high humidity, and excessive vibration.
- Keep magnetized items away. Magnetized cards, watches, etc., can be damaged if placed too close to this system.

The following mark and symbols are located on bottom of the unit.

| | | |
|--|---|---|
|  | CAUTION RISK OF ELECTRIC SHOCK DO NOT OPEN |  |
| CAUTION: TO REDUCE THE RISK OF ELECTRIC SHOCK, DO NOT REMOVE SCREWS. NO USER-SERVICEABLE PARTS INSIDE. REFER SERVICING TO QUALIFIED SERVICE PERSONNEL. | | |



The lightning flash with arrowhead symbol, within an equilateral triangle, is intended to alert the user to the presence of uninsulated “dangerous voltage” within the product’s enclosure that may be of sufficient magnitude to constitute a risk of electric shock to persons.



The exclamation point within an equilateral triangle is intended to alert the user to the presence of important operating and maintenance (servicing) instructions in the literature accompanying the appliance.

Conforms to UL STD 62368-1.

Certified to CAN/CSA STD C22.2 No.62368-1.

THE FOLLOWING APPLIES IN THE U.S.A. AND CANADA.

This device complies with part 15 of FCC Rules and Innovation, Science and Economic Development Canada’s licence-exempt RSS(s).

Operation is subject to the following two conditions: (1) this device may not cause harmful interference, and (2) this device must accept any interference received, including interference that may cause undesired operation.

FCC ID: ACJ-SC-C50, ACJ-SC-C30

IC: 216A-SCC50, 216A-SCC30

This transmitter must not be co-located or operated in conjunction with any other antenna or transmitter.

This equipment complies with FCC/ISED radiation exposure limits set forth for an uncontrolled environment and meets the FCC radio frequency (RF) Exposure Guidelines and RSS-102 of the ISED radio frequency (RF) Exposure rules. This equipment should be installed and operated keeping the radiator at least 20 cm (7 7/8”) or more away from person’s body.

For indoor use only

THE FOLLOWING APPLIES ONLY IN THE U.S.A.

FCC Note:

This equipment has been tested and found to comply with the limits for a Class B digital device, pursuant to Part 15 of the FCC Rules.

These limits are designed to provide reasonable protection against harmful interference in a residential installation. This equipment generates, uses and can radiate radio frequency energy and, if not installed and used in accordance with the instructions, may cause harmful interference to radio communications.

However, there is no guarantee that interference will not occur in a particular installation. If this equipment does cause harmful interference to radio or television reception, which can be determined by turning the equipment off and on, the user is encouraged to try to correct the interference by one or more of the following measures:

- Reorient or relocate the receiving antenna.
- Increase the separation between the equipment and receiver.
- Connect the equipment into an outlet on a circuit different from that to which the receiver is connected.
- Consult the dealer or an experienced radio/TV technician for help.

FCC Caution: To assure continued compliance, follow the attached installation instructions and use only shielded interface cables when connecting to peripheral devices.

Any unauthorized changes or modifications to this equipment would void the user's authority to operate this device.

This device complies with Part 15 of the FCC Rules. Operation is subject to the following two conditions: (1) this device may not cause harmful interference, and (2) this device must accept any interference received, including interference that may cause undesired operation.

Supplier's Declaration of Conformity

Trade Name: Technics

Model No.: SC-C50, SC-C30

Responsible Party:

Panasonic Corporation of North America

Two Riverfront Plaza, Newark, NJ 07102-5490

Support Contact:

<http://shop.panasonic.com/support>

THE FOLLOWING APPLIES ONLY IN CANADA.

CAN ICES-3(B)/NMB-3(B)



Information on Disposal in other Countries outside the European Union



This symbol is only valid in the European Union.

If you wish to discard this product, please contact your local authorities or dealer and ask for the correct method of disposal.

Product Identification Marking is located on the bottom of the unit.

Installation

Installation

- Turn off all the equipment before connection and read the appropriate operating instructions. Be sure to raise this unit when moving, and do not drag this unit.

Notes on the speakers

- These speakers do not have magnetic shielding. Do not place them near TV, PC or other equipment easily influenced by magnetism.
- Playing music at high volumes for a long period can cause damage to the system and shorten the life of the system.
- Decrease the volume in the following conditions to prevent damage.
 - When playing distorted sound
 - When adjusting the sound quality
 - When turning on/off this unit

For optimum sound effects

The quality and volume of the bass sound, sound localization performance, sound ambience, etc. will change depending on the installation location of this unit, listening position, room conditions, and other factors. Refer to the information below when installing this unit.

Determining the installation location

- Place this unit on a flat safe surface.

Adjusting the distances between this unit and the wall

- If you install this unit close to a wall or a corner, the bass sound will be more powerful, however, if the unit is too close to it, sound localization performance and sound ambience may deteriorate.

Adjusting with the Space Tune function

You can adjust the sound quality automatically according to the installation location (near the wall or the corner of the room).

- ① Press and hold [▶/||] for 5 seconds.
 - “Space Tune (Auto)” is displayed.
- ② Press [▶/||] again while “Space Tune (Auto)” is displayed.
 - A test tone outputs quite big while the measurement is in progress.
 - To cancel the adjustment in the middle, press [↶].
 - When the adjustment is complete, “Success” is displayed.
- ③ Press [↶] to exit the setting.

Unit care

Pull out the AC power supply cord from the socket before maintenance. Clean this unit with a soft cloth.

- When dirt is heavy, wring a wet cloth tightly to wipe the dirt, and then wipe it with a soft cloth.
- Do not use solvents including benzine, thinner, alcohol, kitchen detergent, chemical wiper, etc. Doing so may cause the exterior case to be deformed or the coating to come off.

Using “Technics Audio Center”

If you install the dedicated app “Technics Audio Center” (free of charge) on your tablet/smartphone, you can stream music files from the device on your network to this unit, stream online music services, use this unit with other speakers and configure the settings of sound quality, etc.

For details, visit:

www.technics.com/support/

Firmware updates

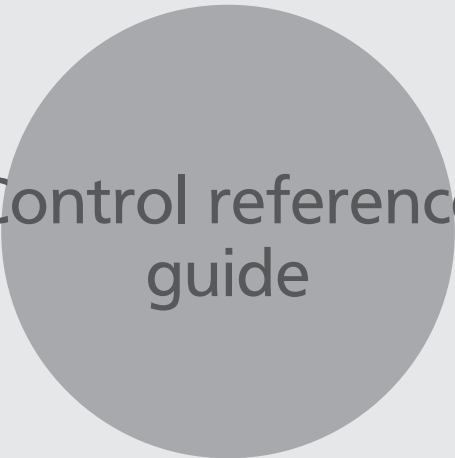
Occasionally, Panasonic may release updated firmware for this unit that may add or improve the way a feature operates. These updates are available free of charge.

- Refer to “Firmware updates” (⇒ 50) for details on update.

To dispose of or transfer this unit

Before disposing of or transferring this unit, be sure to erase all the recorded information by restoring the settings to factory default. ("To restore all the settings to the factory defaults" (⇒ 53))

- Before you dispose of or transfer this unit to a third party, be sure to log out of your music streaming services accounts to prevent unauthorized use of your accounts.



Control reference guide

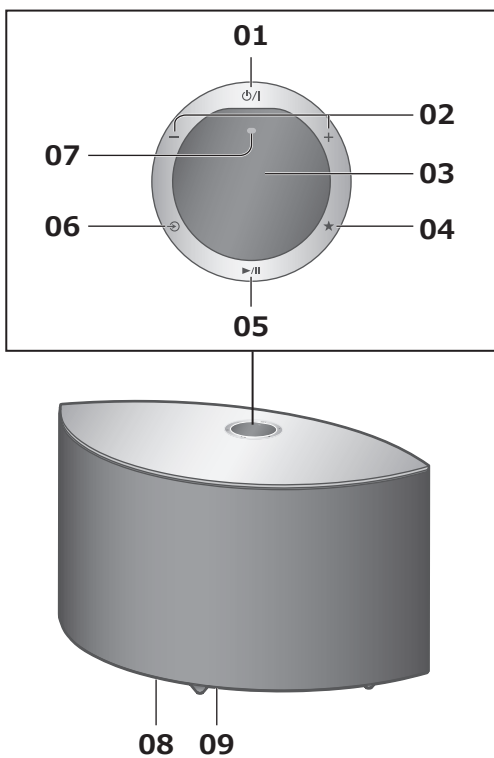
This unit (front/top)..... 16

This unit (rear)..... 18

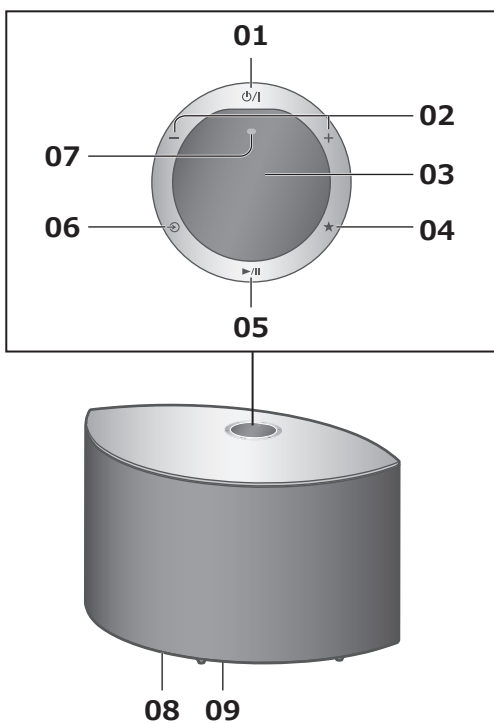
[↻ Table of contents ...](#) 04

This unit (front/top)

SC-C50



SC-C30



01 [⏻/⏻] Standby/on switch

Press to switch the unit from on to standby mode or vice versa. In standby mode, the unit is still consuming a small amount of power.

02 [–] [+] Adjust volume

- 0 (min) to 100 (max)

03 Display

Input source, etc. are displayed.

04 [★] Favorite

You can register your favorite station or playlist (USB, Podcasts, etc.), and call them.

- You can register up to 9 favorite stations or playlists. To register, press and hold [★] until “Memorised” is displayed while a station tuned in or music is being played back. Then, the station or music is automatically registered to an unused number from 1 to 9.

05 [▶/⏸] Play/Pause**06 [↻] Switch the input source****07 Built-in microphone (for measurement)****08 Product identification marking (Bottom of this unit)**

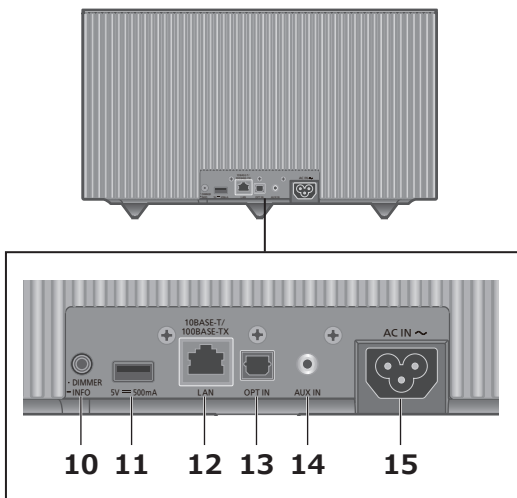
- The model number is indicated.

09 Illumination

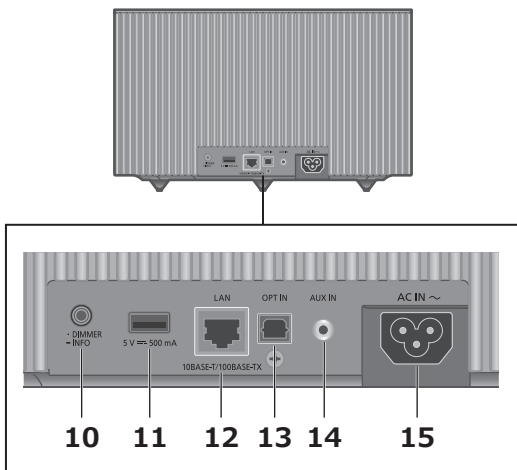
Illuminates when the volume is adjusted from the “Technics Audio Center” app, etc.

This unit (rear)

SC-C50



SC-C30



10 [•DIMMER / -INFO]

Adjust the brightness of illumination of the display and bottom of the unit.

- When the display is turned off, it will light up for a few seconds only when you operate this unit. Before the display turns off, "Display Off" will be displayed for a few seconds.
- Press [•DIMMER / -INFO] repeatedly to switch the brightness.
- Press and hold [•DIMMER / -INFO] to display the network status or settings. The displayed items are changed by pressing [•DIMMER / -INFO] repeatedly. (The brightness does not change during this period.)

11 USB-A terminal

(DC 5 V == 500 mA) (⇒ 36)

- If a USB device is connected, [•DIMMER / -INFO] is difficult to press. Remove the USB device as necessary.

12 LAN terminal (⇒ 23)

13 Optical digital input terminal (⇒ 33)

14 AUX IN terminal (⇒ 31)

15 AC IN terminal (～) (⇒ 21)

Connections

| | |
|--------------------------------------|-----------|
| AC power supply cord | 21 |
| AC power supply cord connection..... | 21 |
| Network settings | 22 |
| Wired LAN connection..... | 23 |
| Wireless LAN connection | 24 |

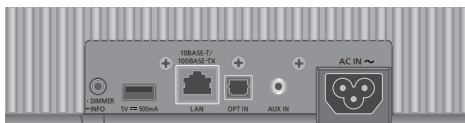
[↻ Table of contents ...](#) 04

AC power supply cord

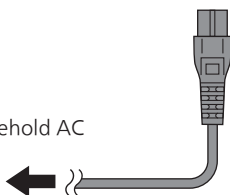
SC-C50 is used in the illustrations unless otherwise mentioned.

AC power supply cord connection

Connect only after all other connections are completed.



To a household AC outlet



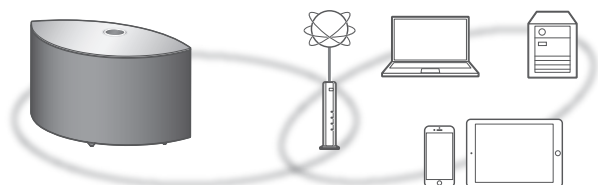
- Use only the supplied AC power supply cord.
- Do not connect the AC power supply cord until all other connections are complete.
- Insert the plugs of the cables to be connected all the way in.
- Do not bend cables at sharp angles.
- Wireless LAN (Wi-Fi®) setting may start when this unit is turned on. If you stop the Wi-Fi setting, press [↵]. To keep the Wi-Fi setting, start the "Google Home" app and follow the on-screen instructions. (⇒ 22, 24)

Note

- This unit consumes a small amount of AC power (⇒ 66) even when the unit is in standby mode. Remove the plug from the main electrical outlet if you will not be using the unit for an extended period of time. Place the unit so the plug can be easily removed.

Network settings

You can stream online music services or music files from your smartphone/tablet to this unit.



This unit can be connected to a router using a LAN cable or built-in Wi-Fi®.

For a stable connection to the network, a wired LAN connection is recommended.

■ Preparation

If you install the “Google Home” app on your smartphone/tablet, you can set up a connection using the application.

- When using the Chromecast-enabled apps to play music on this unit (⇒ 37), set up a connection using the “Google Home” app.
- Make sure that the Wi-Fi function is activated on your smartphones/tablet.

1 Install the “Google Home” app on your smartphone/tablet.

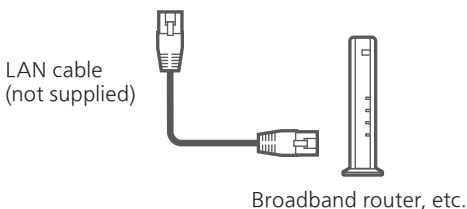
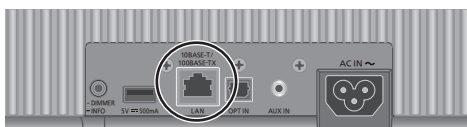
- To download the “Google Home” app, visit:
<https://www.google.com/cast/setup/>



2 Connect your smartphone/tablet to the same network as this unit before setting.

- Make sure that the network is connected to the Internet.

Wired LAN connection



- 1 Disconnect the AC power supply cord.**
- 2 Connect this unit to a broadband router, etc. using a LAN cable.**
- 3 Connect the AC power supply cord to this unit. (⇒ 21)**
- 4 Press [⏻/⏻] to turn this unit on.**
- 5 Start the “Google Home” app and follow the on-screen instructions to set up a connection.**

(To use the Chromecast-enabled apps with this unit (⇒ 37))

Note




- While the AC power supply cord is disconnected, the LAN cable must be connected or disconnected.
- Use category 7 or above straight LAN cables (STP) when connecting to peripheral devices.
- Inserting any cable other than a LAN cable in the LAN port can damage the unit.
- After turning on this unit, it may take some time until this unit is activated.
- If “Firmware update is available” is displayed after the network connection is set up, the firmware for this unit is available. Press and hold [▶/||] for 5 seconds or longer to start the update. (Press [↻] to cancel the update and an indication disappears.)
 - The progress is displayed as “Updating □ %” while updating. (“□” stands for a number.)
 - When the update has finished successfully, “Success” is displayed. Turn this unit off and on.
- Even when the Wi-Fi function is set to “On”, the wired LAN function is activated while a LAN cable being connected. (“📶” disappears.)

Wireless LAN connection

■ Preparation

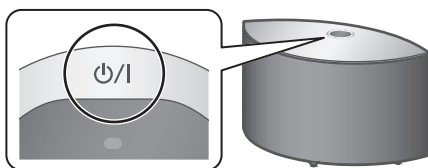
- ① Disconnect the AC power supply cord.
- ② Disconnect the LAN cable.
- ③ Place this unit as close to the wireless router as possible.
- ④ Connect the AC power supply cord to this unit.
(⇒ 21)

Note

- After turning on this unit, it may take some time until this unit is activated.
- If “Firmware update is available” is displayed after the network connection is set up, the firmware for this unit is available. Press and hold [▶/||] for 5 seconds or longer to start the update. (Press [↶] to cancel the update and an indication disappears.)
 - The progress is displayed as “Updating □ %” while updating. (“□” stands for a number.)
 - When the update has finished successfully, “Success” is displayed. Turn this unit off and on.
- “” blinks while the network connection is not established. When the network connection is established, “” disappears. The network setting using the “Google Home” app may be available while “” blinks. Start the “Google Home” app and follow the on-screen instructions. (⇒ 28)
- The setting will be cancelled after the set time limit. In that case, try the setting again.
- To cancel this setting in the middle, press [↶] or turn the unit to standby mode.

Network setting for the first time using the “Google Home” app

1 Press [⏻/|] to turn this unit on.



- “Wi-Fi Setup” starts blinking.



2 Start the “Google Home” app and follow the on-screen instructions to set up a connection.

Note

- This unit will be displayed as “Technics-SC-C50-****” (“Technics-SC-C30-****”) if the device name is not set. (“****” stands for characters unique to each set.)
- You can check your network information (SSID, MAC address and IP address) from the “Google Home” app or “Technics Audio Center” app.
- Some items on the “Google Home” app are irrelevant to this unit.
- Press [↵] to cancel the Wi-Fi setting.
- When this unit is turned off and on before the Wi-Fi setting is complete, “Wi-Fi Setup” is displayed again. Perform the Wi-Fi setting or set the Wi-Fi function to “Off” so that it is not displayed thereafter.
- To switch the Wi-Fi function between “On” and “Off”, cancel the Wi-Fi setting, press and hold the volume [—] on the top while pressing [•DIMMER / -INFO] on the rear of this unit for approx. 5 seconds.
- For other connection methods (⇒ 26).

Network setting from the setup menu
(when not using Chromecast-enabled
apps)

Using the WPS button "WPS"

If your wireless router supports WPS, you can set up a connection by pressing the WPS button.

- A compatible wireless router may have the WPS identifier mark.
- Complete the settings within 2 minutes while "WPS" is displayed.

1 Press and hold [↻] (input source switch) on the top while pressing [•DIMMER / -INFO] on the rear of this unit.

- Connection methods (WPS/WPS PIN/Wi-Fi Setup) are displayed in turn.
- The display changes every 5 seconds.
- If "Wi-Fi Setup" blinks after this unit is turned on by pressing [⏻/⏺], press [↻] to hide the "Wi-Fi Setup" screen and try the setting again.

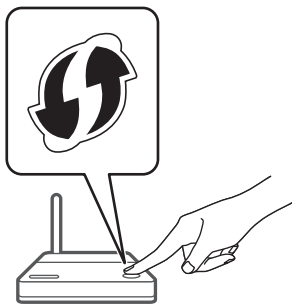
WPS

- If your wireless broadband router supports the WPS (Wi-Fi Protected Setup™) push button

2 Release [↻] and [•DIMMER / -INFO] while "WPS" is displayed.

3 Press the WPS button on the wireless router.

Example:



- When the connection is established, "Success" is displayed.
 - "Fail" may be displayed if the connection was not complete. Try this method again from the setup menu. If "Fail" is still displayed, try other methods.

4 Press [▶/||] to exit the setting.

Using the WPS PIN code

"WPS PIN"

If your wireless router supports WPS, you can set up a connection by entering the WPS PIN code.

- For details on how to enter the PIN code, refer to the operating instructions of the wireless router.
- Complete the settings within 2 minutes while "WPS PIN" and the PIN code are displayed.

1 Press and hold [↻] (input source switch) on the top while pressing [•DIMMER / -INFO] on the rear of this unit.

- Connection methods (WPS/WPS PIN/Wi-Fi Setup) are displayed in turn.
- The display changes every 5 seconds.
- If "Wi-Fi Setup" blinks after this unit is turned on by pressing [⏻/⏻], press [↻] to hide the "Wi-Fi Setup" screen and try the setting again.



- If your wireless broadband router support the WPS PIN code method

2 Release [↻] and [•DIMMER / -INFO] while "WPS PIN" is displayed.

3 Enter the displayed PIN code (64428147) into the wireless router from PC, etc.

- When the connection is established, "Success" is displayed.
 - "Fail" may be displayed if the connection was not complete. Try this method again from the setup menu. If "Fail" is still displayed, try other methods.

4 Press [▶/||] to exit the setting.

Note

- When using the Chromecast-enabled apps to play music on this unit (⇒ 37), set up a connection using the "Google Home" app.
- Depending on a router, other connected devices may temporarily lose their connection.
- For details, refer to the operating instructions of the wireless router.

Network setting from the setup menu (when using Chromecast-enabled apps)

Using the “Google Home” app “Wi-Fi Setup”

When using the Chromecast-enabled apps to play music on this unit, you need to set up a network connection using “Google Home” app. When the network has been set up with another method, try the setting again with the following procedure.

1 Press and hold [↻] (input source switch) on the top while pressing [•DIMMER / -INFO] on the rear of this unit.

- Connection methods (WPS/WPS PIN/Wi-Fi Setup) are displayed in turn.
- The display changes every 5 seconds.
- If “Wi-Fi Setup” blinks after this unit is turned on by pressing [⏻/⏻], press [↻] to hide the “Wi-Fi Setup” screen and try the setting again.

A dark grey circular icon with the text "Wi-Fi Setup" in white.

- When using the “Google Home” app to set up a connection

2 Release [↻] and [•DIMMER / -INFO] while “Wi-Fi Setup” is displayed.

3 Start the app and follow the on-screen instructions.

- When the connection is established, “Success” is displayed.
 - “Fail” may be displayed if the connection was not complete. Try this method again from the setup menu. If “Fail” is still displayed, try other methods.

4 Press [▶/⏻] to exit the setting.

Note

- This unit will be displayed as “Technics-SC-C50-****” (“Technics-SC-C30-****”) if the device name is not set. (“****” stands for characters unique to each set.)
- You can check your network information (SSID, MAC address and IP address) from the “Google Home” app or “Technics Audio Center” app.
- Some items on the “Google Home” app are irrelevant to this unit.

Enabling or disabling the wireless LAN function

1 Press and hold the volume [–] on the top while pressing [•DIMMER / -INFO] on the rear of this unit for approx.

5 seconds.

- The Wi-Fi function switches between “On” and “Off”.

Note

- The factory default is “On”.

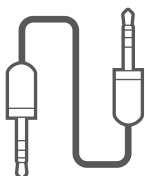
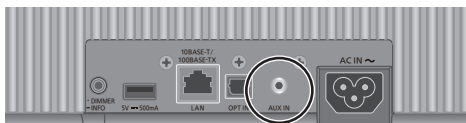
Operations

| | |
|--|-----------|
| Using the auxiliary input..... | 31 |
| Adjust the volume level “Input Level” | 32 |
| Using digital audio output device | 33 |
| Using Bluetooth® | 34 |
| Pairing a Bluetooth® device | 34 |
| Disconnect the Bluetooth® device | 35 |
| Using USB device | 36 |
| Streaming music over the network | 37 |
| Listening to music using Chromecast-enabled app | 37 |
| Streaming music files on network devices..... | 39 |
| Playing Internet Radio and Podcasts..... | 40 |
| Using AirPlay | 41 |
| Playing back music using Spotify Connect..... | 42 |
| Using TIDAL..... | 44 |
| Using Deezer | 46 |

[↶ Table of contents ... 04](#)

Using the auxiliary input

You can connect a portable audio player, etc. with an analog audio cable ($\phi 3.5$ mm ($1/8$ ")) (not supplied) and play back music.



Analog audio cable ($\phi 3.5$ mm ($1/8$ ")) (not supplied)



Portable audio player, etc.

- 1 **Disconnect the AC power supply cord.**
- 2 **Connect this unit and a portable audio player, etc.**
- 3 **Connect the AC power supply cord to this unit. (⇒ 21)**
- 4 **Press [⏻/|] to turn this unit on.**
- 5 **Press [↻] repeatedly to select "AUX".**
- 6 **Start playback on the connected device.**

Note

- When enjoying video contents with this function, the video and audio output may not be synchronized.
- Pressing [▶/||] mutes the sound while playing back. (To cancel the muting, adjust the volume, press again or turn the unit to standby.)

Adjust the volume level “Input Level”

If sound distortion occurs when using the analog audio input terminals, setting to “Low” may improve the sound quality.

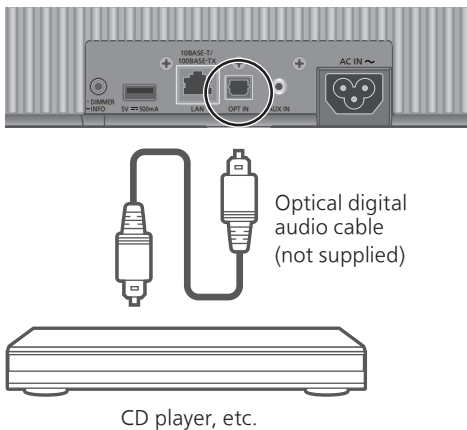
- 1 Press [↻] to select “AUX”.**
- 2 Press and hold [↻] for 5 seconds.**
- 3 Release [↻] when “Input Level” and “Low” are displayed.**
 - Press and hold [↻] again to set to “High”.

Note

- The factory default is “High”.
- This item can also be set from the dedicated application “Technics Audio Center” (free of charge).

Using digital audio output device

You can connect a CD player, etc. with optical digital audio cable (not supplied) and play back music.



- 1 Disconnect the AC power supply cord.
- 2 Connect this unit and a CD player etc.
- 3 Connect the AC power supply cord to this unit. (⇒ 21)
- 4 Press [⏻/|] to turn this unit on.
- 5 Press [↻] repeatedly to select "OPT".
- 6 Start playback on the connected device.

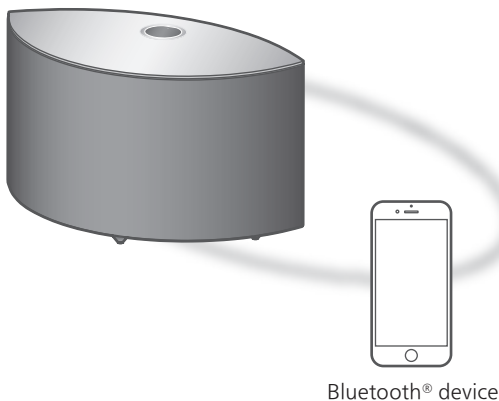
Note

- When enjoying video contents with this function, the video and audio output may not be synchronized.
- Pressing [▶/||] mutes the sound while playing back. (To cancel the muting, adjust the volume, press again or turn the unit to standby.)
- The digital audio input terminal of this unit can only detect the following linear PCM signals. For details, refer to the operating instructions of the connected device.
 - Sampling frequency:
32/44.1/48/88.2/96 kHz
 - Number of quantization bits:
16/24 bit

Using Bluetooth®

You can listen to the sound from the Bluetooth® audio device from this unit wirelessly.

- Refer to the operating instructions of the Bluetooth® device for details.



Pairing a Bluetooth® device

■ Preparation


- Turn on this unit, Bluetooth® device and place the device near this unit.
- Turn on the Bluetooth® feature of the device.

■ Registering the Bluetooth® device

- 1 Press [↻] repeatedly to select "📶".**
 - "📶" blinks at 1 second interval when registering for the first time. Proceed to step 3.
- 2 Press and hold [↻] to enter pairing mode.**
 - "📶" blinks at 1 second interval.
- 3 Open the Bluetooth® connection screen, etc. on the Bluetooth® device, and select "Technics-SC-C50-****" ("Technics-SC-C30-****")*1, 2.**
 - If the device name is set on the "Google Home" app, the set name is displayed.
- 4 Play music by operating the Bluetooth® device.**

■ Connecting the paired Bluetooth® device

1 Press [↵] repeatedly to select “”.

- “” blinks per second and this unit tries to connect to the last connected Bluetooth® device. After the connection is complete, proceed to step 3.
- If another Bluetooth® device is already connected with this unit, disconnect from the Bluetooth® device.

2 Open the Bluetooth® connection screen, etc. on the Bluetooth® device, and select “Technics-SC-C50-****” (“Technics-SC-C30-****”)*1, 2.

- If the device name is set on the “Google Home” app, the set name is displayed.

3 Play music by operating the Bluetooth® device.

Note

- If prompted for the passkey, input “0000”.
- You can register up to 8 devices with this unit. If a 9th device is paired, the device that has not been used the longest will be replaced.
- Refer to the operating instructions of the Bluetooth® device for details.

*1: “****” stands for a number that is unique to each set.

*2: The device name can be changed with the dedicated application “Technics Audio Center” (free of charge).

Disconnect the Bluetooth® device

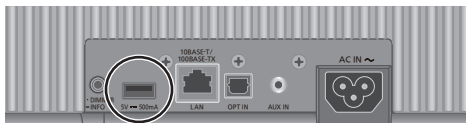
Disconnect from the Bluetooth® device or disconnect by selecting a different input source.

Note

- This unit can only be connected to one device at a time.

Using USB device

You can play back music stored on the connected USB device using the dedicated app “Technics Audio Center” (free of charge) on your tablet/smartphone. For details, visit: www.technics.com/support/



USB device

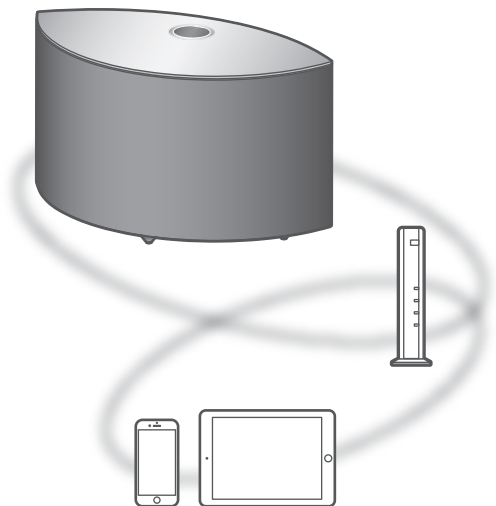
- 1 **Connect a USB device to the unit.**
- 2 **Press [↔] repeatedly to select “USB”.**
- 3 **Start the dedicated app “Technics Audio Center” on your device (smartphone, tablet, etc.) and play back the music.**
 - Playback also starts by pressing [▶/||] on this unit.

Note

- The unit and USB device become warm when using for a long time. This is not a malfunction.
- The repeat playback, random playback, etc. can be set by using the dedicated application “Technics Audio Center” (free of charge).

Streaming music over the network

Listening to music using Chromecast-enabled app



This unit is compatible with Chromecast-enabled apps. For detailed information of Chromecast-enabled apps, visit: g.co/cast/apps

■ Preparation

- Complete the network settings. (⇒ 22)
 - Make sure that the network is connected to the Internet.
- Install a Chromecast-enabled app on your device (smartphone, tablet, etc.).
- Connect the device to the network currently used at home.

1 Start the Chromecast-enabled app on your device (smartphone, tablet, etc.) and select this unit as the connecting device.

- The input source is automatically switched to “Chromecast built-in”.

2 Play back the music.

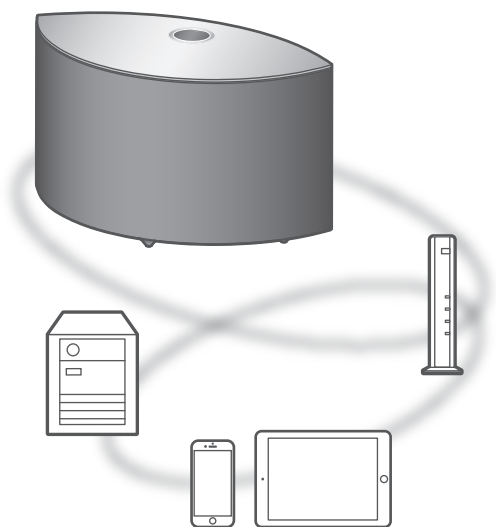
- “Casting” is displayed.

Not all music streaming services are available in all countries/regions. Registration/subscription may be required, or fees may be charged to use music streaming services. Services are subject to change or be discontinued. For details, visit an individual music streaming service's website.

Important notice:

Before you dispose of or transfer this unit to a third party, be sure to log out of your music streaming services accounts to prevent unauthorized use of your accounts.

Streaming music files on network devices



You can stream music files from the device on your network to this unit by using the free app “Technics Audio Center”.

■ Preparation

- Complete the network settings. (⇒ 22)
- Connect the following devices to the same network as this unit.
 - Device with “Technics Audio Center” app installed
 - Device containing music source

1 Install the free app “Technics Audio Center” on your smartphone, tablet, etc.

- Download and install the app from the website below.
www.technics.com/support/

2 Start the app “Technics Audio Center”.

- Always use the latest version of the app.

3 Select this unit as the output speaker.

4 Select a music source.

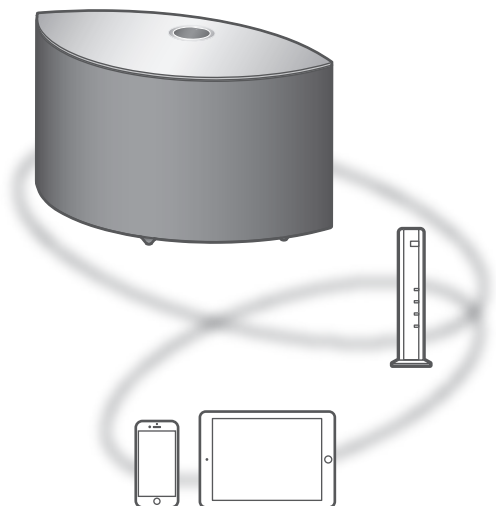
5 Select a music file.

- The input source to be displayed varies depending on the content.
 - If playing back files stored in the media server, “DMR” (Digital Media Renderer) is shown.

Playing Internet Radio and Podcasts

Using the free app “Technics Audio Center”, you can play an internet radio by setting this unit as a speaker for the internet radio. For details, visit:

www.technics.com/support/





■ Preparation

- Complete the network settings. (⇒ 22)
 - Make sure that the network is connected to the Internet.
- Connect the device to the network currently used at home.

1 Start “Technics Audio Center” on your device (smartphone, tablet, etc.).

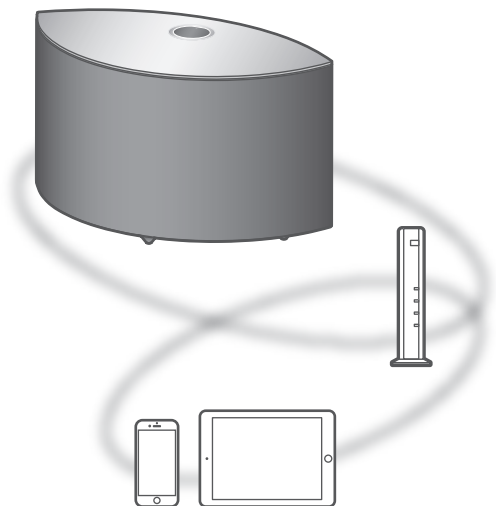
2 Select “Radio” / “Podcasts” from “Technics Audio Center”.

3 Play back the music.

- “” is displayed while playing back the internet radio station.
- “Podcasts” is displayed while playing back Podcasts.
- For operation details, refer to the operating instructions of “Technics Audio Center”. For details, visit:
www.technics.com/support/
- Pressing [] mutes the sound while playing back the internet radio station. (To cancel the muting, adjust the volume, press again or turn the unit to standby.)

Using AirPlay

You can play back music stored on iOS device, etc. using AirPlay.



■ Preparation

- Complete the network settings. (⇒ 22)
- Connect the iOS device or PC to the same network as this unit.

1 (iOS device)

Start the “Music” (or iPod) app.

(PC)

Start “iTunes”.

2 Select “Technics-SC-C50-****” (“Technics-SC-C30-****”)*^{1,2} from the AirPlay icon (e.g.).

- If the device name is set on the “Google Home” app, the set name is displayed.

3 Start play.

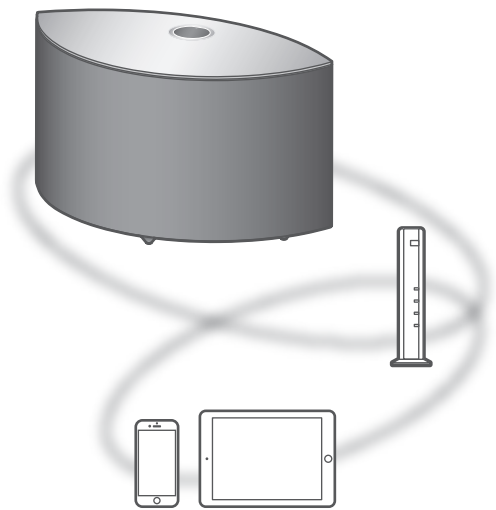
- Check the volume settings before starting the playback.
- When AirPlay is used for the first time, the volume may be output at the maximum setting.
- The playback will start with a slight delay.

*1: “****” stands for a number that is unique to each set.

*2: The device name can be changed with the dedicated application “Technics Audio Center” (free of charge).

Playing back music using Spotify Connect

This unit is compatible with Spotify Connect for the online music service (Spotify). You can play music from the music streaming service of Spotify by operating your smartphone, tablet, etc.



■ Preparation

- Complete the network settings. (⇒ 22)
 - Make sure that the network is connected to the Internet.
- Connect the device to be used to the network of this unit.

Use your phone, tablet or computer as a remote control for Spotify.

Go to spotify.com/connect to learn how

Note

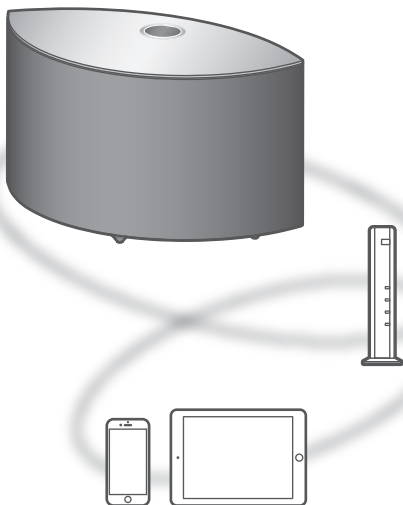
- The device name of this unit will be displayed as "Technics-SC-C50-****" ("Technics-SC-C30-****")^{*1, 2}.
 - If the device name is set on the "Google Home" app, the set name is displayed.
 - Registration/subscription is required.
 - Services, icons, and specifications are subject to change.
- *1: "****" stands for a number that is unique to each set.
- *2: The device name can be changed with the dedicated application "Technics Audio Center" (free of charge).

Using TIDAL

You can play music from the music streaming service, TIDAL on this unit by operating the dedicated application "Technics Audio Center" (free of charge) on your smartphone, tablet, etc.

For details of TIDAL, visit the following website.

www.tidal.com



■ Preparation

- Install the latest "Technics Audio Center" on your device (smartphone, tablet, etc.). For details, visit: www.technics.com/support/
- Connect this unit and your device on which "Technics Audio Center" has been installed to the network connected to the Internet. For details, refer to their operating instructions.

- 1 Start "Technics Audio Center" on your device (smartphone, tablet, etc.).
- 2 Select "TIDAL" from "Technics Audio Center".

3 Follow the on-screen instructions and start playback.

(If you do not have an account, you need to register the account.)

- “◆◆◆” is displayed while playing back.
- Before using TIDAL, the account registration is required (paid service).
- For operation details, refer to the operating instructions of “Technics Audio Center”. For details, visit:
www.technics.com/support/

Note

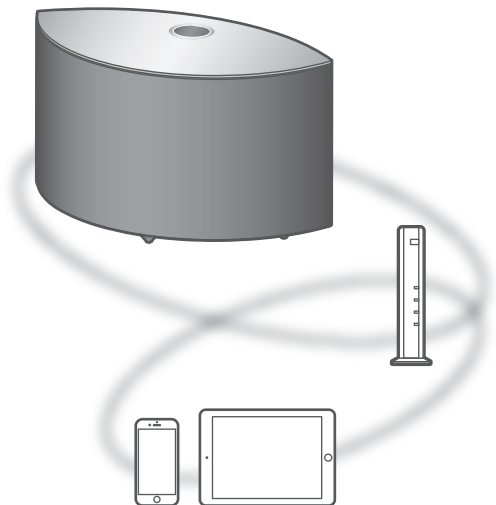
- Depending on the country or region, playback may not be available.

Using Deezer

You can play music from the music streaming service, Deezer on this unit by operating the dedicated application “Technics Audio Center” (free of charge) on your smartphone, tablet, etc.

For details of Deezer, visit the following website.

www.deezer.com



■ Preparation

- Install the latest “Technics Audio Center” on your device (smartphone, tablet, etc.). For details, visit: www.technics.com/support/
- Connect this unit and your device on which “Technics Audio Center” has been installed to the network connected to the Internet. For details, refer to their operating instructions.

- 1 Start “Technics Audio Center” on your device (smartphone, tablet, etc.).
- 2 Select “Deezer” from “Technics Audio Center”.

3 Follow the on-screen instructions and start playback.

(If you do not have an account, you need to register the account.)

- Before using Deezer, the account registration is required (paid service).
- For operation details, refer to the operating instructions of "Technics Audio Center". For details, visit:
www.technics.com/support/

Note

- Depending on the country or region, playback may not be available.

Settings

| | |
|---|-----------|
| Using the favorite function | 49 |
| Registering your favorite station or playlist to this unit | 49 |
| Other settings | 50 |
| Firmware updates "F/W Update" | 50 |
| Setting up this unit from "Technics Audio Center" | 51 |

[↶ Table of contents ...](#) 04

Using the favorite function

Registering your favorite station or playlist to this unit

You can register your favorite station or playlist (USB, Podcasts, etc.) and call up the station or playlist easily by pressing [★].

- You can register up to 9 favorite stations or playlists.
- The favorite function (registering/calling up/deleting) can also be set from the dedicated application “Technics Audio Center” (free of charge).

1 Press and hold [★] while the favorite station or playlist is played back.

- The unregistered number from 1 to 9 is automatically assigned.
- “Memorised” is displayed when the registration is completed. “Not Valid” is displayed if unable to register.

Note

- If a 10th station or playlist is added, “Full” is displayed. Delete the stations or playlists.

Calling up the favorite station or playlist

1 Press [★] repeatedly.

- Press repeatedly to switch to the registered number to be played back.

Note

- If the station or playlist cannot be found after the input source is switched, playback does not start or other music may play back.

Deleting the favorite station or playlist

1 Press [★] repeatedly to switch to the registered number to be deleted.

- Press repeatedly to switch to the registered number to be deleted. Select the station or playlist to be deleted.

2 Press [★] while pressing [•DIMMER / -INFO] when “★1-9” to be deleted is displayed.

- “Deleted” is displayed.

Other settings

Firmware updates "F/W Update"

Occasionally, Panasonic may release updated firmware for this unit that may add or improve the way a feature operates. These updates are available free of charge.

- For the update information, refer to the following website.
www.technics.com/support/firmware/

Downloading may take approx. 10 minutes or longer.

Do not disconnect the AC power supply cord or turn this unit to standby while updating.

Do not disconnect the USB flash memory while updating.

- The progress is displayed as "Updating □ %" while updating. ("□" stands for a number.)

Note

- During the update process, no other operations can be performed.
- If there are no updates, "Firmware is Up To Date" is displayed. (No need to update it.)
- Updating the firmware may reset the settings of this unit.

Update via Internet

■ Preparation

- Connect this unit to the network. (⇒ 22)
 - Make sure that the network is connected to the Internet.

1 "Firmware update is available" is displayed if the firmware for this unit is available.

2 Press and hold [▶/III] for 5 seconds or longer to start the update.

- The progress is displayed as "Updating □ %" while updating. ("□" stands for a number.)
- When the update has finished successfully, "Success" is displayed. Turn this unit off and on.
- Firmware updating can also be set from the dedicated application "Technics Audio Center" (free of charge).

Note

- Downloading may take longer depending on the internet connection environment, etc.
- Firmware updating may automatically start after the network setting is complete (⇒ 22).

Update via USB flash memory

■ Preparation

- Download the latest firmware on the USB flash memory. For details, refer to the following website.

www.technics.com/support/firmware/

1 Connect the USB flash memory with new firmware.

2 Press [↻] repeatedly to select “USB”.

3 Press and hold [↻] for 5 seconds or longer to start the update.

- The progress is displayed as “Updating □ %” while updating. (“□” stands for a number.)
- When the update has finished successfully, “Success” is displayed. Turn this unit off and on.

Note

- Downloading may take longer depending on the USB flash memory.

Setting up this unit from “Technics Audio Center”

You can configure the various settings of this unit using the dedicated app “Technics Audio Center” (free of charge). For details, visit:

www.technics.com/support/

Others

- Troubleshooting..... 53**
 - Heat buildup of this unit..... 53
 - Do you have the latest firmware installed? 53
 - To restore all the settings to the factory defaults..... 53
 - General 54
 - USB..... 55
 - Bluetooth® 56
 - Network..... 57
 - Spotify/TIDAL/Deezer/Internet Radio/ Podcasts 59
 - Messages..... 59
- Playable media 62**
 - USB..... 62
- About Bluetooth® 63**
- Licenses..... 64**
- Specifications 66**

[↶ Table of contents ... 04](#)

Troubleshooting

Before requesting service, make the following checks. If you are uncertain about some of the check points, or if the solutions indicated in the following guide do not resolve the issue, then consult your dealer for instructions.

Heat buildup of this unit

This unit becomes warm while in use.

- Be careful when touching the bottom of this unit because the bottom of this unit may be hot. For installation or unit care, disconnect the AC power supply cord, wait for at least 3 minutes.

Do you have the latest firmware installed?

Panasonic is constantly improving the unit's firmware to ensure that our customers are enjoying the latest technology. (⇒ 50)

To restore all the settings to the factory defaults

When the following situations occur, reset the memory:

- There is no response when operating.
- You want to clear and reset the memory contents.

1 When the unit is on, press and hold [⏻/⏻] for 5 seconds or longer while pressing [•DIMMER / -INFO].

- The initialization starts.

2 After the initialization, this unit restarts.

General

The unit does not work.

Operations are not done properly.

- One of the unit's safety devices, etc. may have been activated.
 - ① Press [⏻/⏻] on the unit to switch the unit to standby.
 - If the unit does not switch to standby, press [⏻/⏻] on the unit for at least 5 seconds. The unit is forcibly switched to standby. Alternatively, disconnect the AC power supply cord, wait for at least 3 minutes, then reconnect it.
 - ② Press [⏻/⏻] on the unit to switch on. (It may take some time for this unit to be turned on.)
 - If the unit still cannot be operated, consult the dealer.

A "humming" sound can be heard during playback.

- An AC power supply cord of another device or fluorescent light is near the cables. Turn off other appliances, or keep them away from the cables of this unit.
- A strong magnetic field near a TV or other device may adversely affect the audio quality. Keep this unit away from such a location.
- The speakers may output noise when a device nearby is emitting powerful radio waves, such as when a mobile phone is on a call.

No sound.

- Check the volume of this unit and the connected device.
- Check to see if the cable connections to the input terminal of this unit and output terminal of the connected device are incorrect. If this is the case, turn this unit to standby and reconnect the cables correctly.
- Check to see if the correct input source is selected.
- Insert the plugs of the cables to be connected all the way in.
- Playback of multi-channel content is not supported.
- The digital audio input terminal of this unit can only detect linear PCM signals. For details, refer to the operating instructions of the device.

Playback does not start.

- Depending on your environment or connected devices, it may take some time.
- Check to see if the format of the file is supported. For supported formats, refer to "File format". (⇒ 70)

The unit turns to standby mode automatically.

- This unit incorporates a protection circuit to prevent damage caused by heat buildup. When you use this unit at a high volume level for a long period of time, it may turn off automatically. Wait for this unit to cool down before turning on this unit again. (For approximately 3 minutes)

The settings are reset to the factory defaults.

- Updating the firmware may reset the settings.

USB

The connected USB device becomes warm.

- The unit and USB device become warm when using for a long time. This is not a malfunction.

The USB drive or its contents cannot be read.

- The USB drive format or its contents is/are not compatible with the unit. (⇒ 62)
- The USB drive may not be read which has the files/folders with the long names, even if the number of the files/folders of the USB device doesn't reach a maximum number (⇒ 69).

No response when [▶/||] is pressed.

- Check to see if the format of the file is supported. (⇒ 71)
- Disconnect the USB device and then reconnect it. Alternatively, turn the unit to standby and on again.

Slow operation of the USB flash drive.

- Large file size or high memory USB flash drive takes longer time to read.
- It may take some time if there are a lot of files or folders on it.

Bluetooth®

Pairing cannot be completed.

- Check the Bluetooth® device condition.

The device cannot be connected.

- The pairing of the device was unsuccessful or the registration has been replaced. Try re-pairing the device. (⇒ 34)
- This unit might be connected to a different device. Disconnect the other device and try re-pairing the device.

The device is connected, but audio cannot be heard through this unit.

- For some built-in Bluetooth® devices, you have to set the audio output to this unit manually. Read the operating instructions for the device for details.

The sound is interrupted.

- The device is out of the 10 m (33 ft) communication range. Bring the Bluetooth® device closer to this system.
- Remove any obstacle between this system and the device.
- Other devices that use the 2.4 GHz frequency band (wireless router, microwaves, cordless phones, etc.) are interfering. Bring the Bluetooth® device closer to this system and distance it from the other devices.
- Switch the transmission mode of this unit, and it can be set by using the free app “Technics Audio Center”.

Network

Cannot connect to the network.

- Confirm the network connection and settings. (⇒ 22)
- If the network is set to be invisible, make the network visible while you set up the network for this unit or make a wired LAN connection.
 - To switch the Wi-Fi function between “On” and “Off”, press and hold the volume [—] on the top while pressing [•DIMMER / -INFO] on the rear of this unit for approx. 5 seconds.
- This system’s Wi-Fi security supports WPA2™. Your wireless router must therefore be WPA2™ compatible. For details on the security supported by your router and how to change the settings, please refer to the operating instructions or contact your internet service provider.
- Make sure that the multicast function on the wireless router is enabled.
- Depending on the router, WPS button may not work. Try another connection method. (⇒ 26)
- The wireless LAN environment or radio interference in your area may cause connection problem. In this case, try another connection method. If the problem persists, make a wired LAN connection. (⇒ 23)
- While the AC power supply cord is disconnected, the LAN cable must be connected or disconnected.

Cannot select this system as the output speakers.

- Make sure that the devices are connected to the same network as this unit.
- Reconnect the devices to the network.
- Turn the wireless router off and then on.
- Turn this unit to standby and on, and then select this system as the output speakers again.

Cannot select this unit from the Chromecast-enabled apps.

- When using the Chromecast-enabled apps to play music on this unit, you need to set up a network connection using “Google Home” app. (⇒ 28)
- You may not select this unit from the video apps, etc.

Playback does not start.

The sound is interrupted.

- If using the 2.4 GHz band on the wireless router, simultaneous use with other 2.4 GHz devices, such as microwaves, cordless telephones, etc., may result in connection interruptions. Increase the distance between this unit and these devices.
 - If your wireless router supports 5 GHz band, try using the 5 GHz band.
- Do not place this system inside a metal cabinet, for it might block the Wi-Fi signal.
- If the playback stops, check the playback status on the device.
- Place this system closer to the wireless router.
- Press and hold [•DIMMER / -INFO] to display the network status, and press again to display the Wi-Fi signal strength level. The signal strength is shown as 3 (max) - 0 (not connected). Change the position or angle of your wireless router or this system, and see if the connection improves.
- If several wireless devices are simultaneously using the same wireless network as this unit, try turning off the other devices or reducing their wireless network usage.
- Reconnect the devices to the network.
- Turn the wireless router off and then on.
- Setting QoS function of your router to “disable” may resolve the sound interruptions.
- With some iOS and iTunes versions, it may not be possible to restart the AirPlay playback if the selector is changed (e.g. “AUX”) or this unit is in standby mode, during the AirPlay playback. In this case, select a different device from the AirPlay icon of the Music App or iTunes and then re-select this system as the output speakers. (⇒ 41)
- If the above solutions do not solve the problem, make a wired LAN connection for all connected devices which have LAN terminal (this unit, Network Attached Storage, media server, etc.). (⇒ 23)

Spotify/TIDAL/Deezer/ Internet Radio/Podcasts

Playback does not start.


The sound is interrupted.

- The station that does not broadcast cannot be played back (or it will be skipped).
- The internet radio station may not be played back depending on the broadcasting method or the network condition.
- Depending on the internet connection environment, the sound may be interrupted or it may take some time to play back.
- Service may not be available depending on the country or area.
- The services through Network Service are operated by their respective service providers, and service may be discontinued either temporarily or permanently without notice.

Messages

Auto Off

The unit turns to standby mode by the auto off function.

- Press [, etc. to cancel it.
- The auto off function can be changed with the dedicated application "Technics Audio Center" (free of charge).

Download Fail

- The firmware download has failed. Press any button to exit. Please try again later.
- The server cannot be found. Press any button to exit. Make sure that the network is connected to the internet.

Empty

The favorite station or playlist is not registered.

- Register the favorite station or playlist. (⇒ 49)

Fail

- Network connection is not complete. Try the setting again. (⇒ 22)
- Space Tune is not complete. Check the procedure of setting and retry the Space Tune setting. (⇒ 13)

Firmware update is available

- The firmware (free of charge) for this unit is available.
 - ① Press and hold [▶/■] for 5 seconds or longer.
 - The update automatically starts.
 - The progress is displayed as “Updating □ %” while updating. (“□” stands for a number.)
 - When the update has finished successfully, “Success” is displayed.
 - ② Turn this unit off after “Success” is displayed.
 - ③ Turn this unit on after 3 minutes.
- For the update information, refer to the following website.
www.technics.com/support/firmware/

Full

You cannot register the favorite stations or playlists more than 9.

- Delete the stations or playlists (⇒ 49).
- You can also delete the favorite station or playlist from the dedicated application “Technics Audio Center” (free of charge).

“F□□” (“□” stands for a number.)

- An abnormality has occurred. (If this unit detects an abnormality, the protection circuit is activated, and the power may be turned off automatically.)
 - Is this unit placed in an extremely hot place?
 - Wait a few seconds and then turn the unit on again. (The protection circuit will be deactivated.)

If the problem persists, write down the displayed number, disconnect the AC power supply cord and consult your dealer.

Load Fail

- The firmware cannot be found on the USB flash memory.
- Download the latest firmware on the USB flash memory and try again. (⇒ 51)

No Device

No USB device is connected.

- Connect the USB device to be played. (⇒ 36)

The USB device cannot be played back.

- Check to see if the file system of USB device is playable. (⇒ 62)

Not Valid

- The function you have tried to use is not available with the current settings. Check the steps and settings.

Operate via App

The key operation of this unit is disabled.

- Make sure to operate from the dedicated application “Technics Audio Center” (free of charge) when you stream music files from the device on your network or online music services etc.

For details, visit:

www.technics.com/support/

Unlocked

- “OPT” is selected, but no device is connected. Check the connection with the device. (⇒ 33)
- The sampling frequency components, etc. of the audio signals are not input correctly.
 - For supported formats, refer to “File format” (⇒ 70)

USB Over Current Error

- USB device is drawing too much power. Disconnect the USB device and turn the unit to standby and on again. (⇒ 36)

Wired LAN

The LAN cable is connected to this unit.

- Disconnect the LAN cable when setting the wireless LAN connection. (⇒ 24)

Wi-Fi Setup

- Wireless LAN (Wi-Fi) setting may start when this unit is turned on. If you stop the Wi-Fi setting, press [↶]. To keep the Wi-Fi setting, start the “Google Home” app and follow the on-screen instructions. (⇒ 22, 24)

Playable media

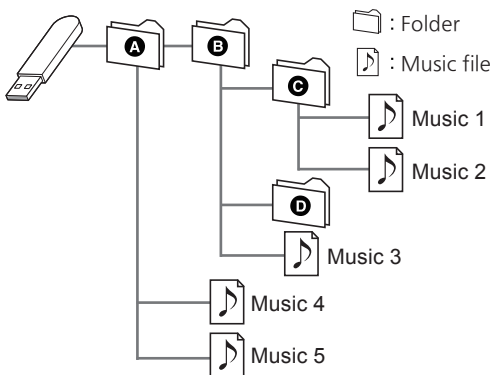
USB

- This unit does not guarantee connection with all USB devices.
- FAT16, FAT32 and NTFS file systems are supported.
- This unit supports USB 2.0 high speed.
- USB devices may not be recognized by this unit when connected using the following:
 - a USB hub
 - a USB extension cable
- It is not possible to use USB card reader/writers.
- This unit cannot record music to a USB device.
- Not all files on the USB device may be read if there are some files not supported.
- About supported format, refer to “File format” (⇒ 70)

■ Folder and file structure

When pressing [▶/||] on this unit, the playback starts in the following order as shown.

Example:



- For operation details, refer to the operating instructions of “Technics Audio Center”. For details, visit:
www.technics.com/support/

About Bluetooth®

Panasonic bears no responsibility for data and/or information that is compromised during a wireless transmission.

Frequency band used

- This system uses the 2.4 GHz frequency band.

Certification of this device

- This system conforms to frequency restrictions and has received certification based on frequency laws. Thus, a wireless permit is not necessary.
- The actions below are punishable by law in some countries:
 - Taking apart or modifying the system.
 - Removing specification indications.

Restrictions of use

- Wireless transmission and/or usage with all Bluetooth® equipped devices is not guaranteed.
- All devices must conform to standards set by Bluetooth SIG, Inc.
- Depending on the specifications and settings of a device, it can fail to connect or some operations can be different.
- This system supports Bluetooth® security features. But depending on the operating environment and/or settings, this security is possibly not sufficient. Transmit data wirelessly to this system with caution.
- This system cannot transmit data to a Bluetooth® device.

Range of use

- Use this device at a maximum range of 10 m (33 ft). The range can decrease depending on the environment, obstacles or interference.

Interference from other devices

- This system may not function properly and troubles such as noise and sound jumps may arise due to radio wave interference if this system is located too close to other Bluetooth® devices or the devices that use the 2.4 GHz band.
- This system may not function properly if radio waves from a nearby broadcasting station, etc. is too strong.

Intended usage

- This system is for normal, general use only.
- Do not use this system near an equipment or in an environment that is sensitive to radio frequency interference (example: airports, hospitals, laboratories, etc.).

Licenses



The Wi-Fi CERTIFIED™ Logo is a certification mark of Wi-Fi Alliance®.

The Wi-Fi Protected Setup™ Logo is a certification mark of Wi-Fi Alliance®.



Use of the Works with Apple badge means that an accessory has been designed to work specifically with the technology identified in the badge and has been certified by the developer to meet Apple performance standards.

Apple and AirPlay are trademarks of Apple Inc., registered in the U.S. and other countries.

This product is compatible with AirPlay 2. iOS 11.4 or later is required.

Chromecast built-in

Google, Google Home and Chromecast built-in are trademarks of Google LLC.

The Google Assistant is not available in certain languages and countries.

Windows is a trademark or a registered trademark of Microsoft Corporation in the United States and other countries.

Windows Media and the Windows logo are trademarks or registered trademarks of Microsoft Corporation in the United States and/or other countries. This product is protected by certain intellectual property rights of Microsoft Corporation and third parties. Use or distribution of such technology outside of this product is prohibited without a license from Microsoft or an authorized Microsoft subsidiary and third parties.

Mac and OS X are trademarks of Apple Inc., registered in the U.S. and other countries.

The Bluetooth® word mark and logos are registered trademarks owned by Bluetooth SIG, Inc. and any use of such marks by Panasonic Corporation is under license. Other trademarks and trade names are those of their respective owners.

DSD is a trademark of Sony Corporation.

FLAC Decoder

Copyright (C) 2000, 2001, 2002, 2003, 2004, 2005, 2006, 2007, 2008, 2009 Josh Coalson

Redistribution and use in source and binary forms, with or without modification, are permitted provided that the following conditions are met:

- Redistributions of source code must retain the above copyright notice, this list of conditions and the following disclaimer.
- Redistributions in binary form must reproduce the above copyright notice, this list of conditions and the following disclaimer in the documentation and/or other materials provided with the distribution.
- Neither the name of the Xiph.org Foundation nor the names of its contributors may be used to endorse or promote products derived from this software without specific prior written permission.

THIS SOFTWARE IS PROVIDED BY THE COPYRIGHT HOLDERS AND CONTRIBUTORS "AS IS" AND ANY EXPRESS OR IMPLIED WARRANTIES, INCLUDING, BUT NOT LIMITED TO, THE IMPLIED WARRANTIES OF MERCHANTABILITY AND FITNESS FOR A PARTICULAR PURPOSE ARE DISCLAIMED. IN NO EVENT SHALL THE FOUNDATION OR CONTRIBUTORS BE LIABLE FOR ANY DIRECT, INDIRECT, INCIDENTAL, SPECIAL, EXEMPLARY, OR CONSEQUENTIAL DAMAGES (INCLUDING, BUT NOT LIMITED TO, PROCUREMENT OF SUBSTITUTE GOODS OR SERVICES; LOSS OF USE, DATA, OR PROFITS; OR BUSINESS INTERRUPTION) HOWEVER CAUSED AND ON ANY THEORY OF LIABILITY, WHETHER IN CONTRACT, STRICT LIABILITY, OR TORT (INCLUDING NEGLIGENCE OR OTHERWISE) ARISING IN ANY WAY OUT OF THE USE OF THIS SOFTWARE, EVEN IF ADVISED OF THE POSSIBILITY OF SUCH DAMAGE.

The Spotify Software is subject to third party licenses found here: <https://www.spotify.com/connect/third-party-licenses>.

Specifications

■ GENERAL

SC-C50

| | |
|--|--|
| Power supply | AC 120 V, 60 Hz |
| Power consumption | 42 W |
| Power consumption in standby mode (Network Standby Off) | 0.2 W |
| Power consumption in standby mode (Network Standby On with Wireless LAN) | 2.0 W |
| Power consumption in standby mode (Network Standby On with Wired LAN) | 2.0 W |
| Dimensions (W×H×D) | 375 mm (14 ⁴⁹ / ₆₄ ") × 220 mm (8 ²¹ / ₃₂ ") × 197 mm (7 ³ / ₄ ") |
| Mass | Approx. 5.9 kg (13 lbs) |
| Operating temperature range | 0 °C to +40 °C (+32 °F to +104 °F) |
| Operating humidity range | 35 % to 80 % RH (no condensation) |

SC-C30

| | |
|--|--|
| Power supply | AC 120 V, 60 Hz |
| Power consumption | 30 W |
| Power consumption in standby mode (Network Standby Off) | 0.2 W |
| Power consumption in standby mode (Network Standby On with Wireless LAN) | 2.0 W |
| Power consumption in standby mode (Network Standby On with Wired LAN) | 2.0 W |
| Dimensions (W×H×D) | 315 mm (12 ¹³ / ₃₂ ") × 190 mm (7 ³¹ / ₆₄ ") × 191 mm (7 ³³ / ₆₄ ") |
| Mass | Approx. 4.5 kg (9.2 lbs) |
| Operating temperature range | 0 °C to +40 °C (+32 °F to +104 °F) |
| Operating humidity range | 35 % to 80 % RH (no condensation) |

■ AMPLIFIER SECTION

SC-C50

| | |
|------------------|--|
| Output power | <p>Front speaker (L/R): 20 W + 20 W (1 kHz, T.H.D. 1.0 %, 8 Ω, 20 kHz LPF)</p> <p>Front speaker (Center): 20 W (1 kHz, T.H.D. 1.0 %, 8 Ω, 20 kHz LPF)</p> <p>Subwoofer: 40 W (100 Hz, T.H.D. 1.0 %, 4 Ω, 20 kHz LPF)</p> |
| FTC Output Power | <p>Front speaker (L/R): 15 W + 15 W (1 kHz, T.H.D. 1.0 %, 8 Ω, 20 kHz LPF)</p> <p>Front speaker (Center): 15 W (1 kHz, T.H.D. 1.0 %, 8 Ω, 20 kHz LPF)</p> <p>Subwoofer: 30 W (100 Hz, T.H.D. 1.0 %, 4 Ω, 20 kHz LPF)</p> |

SC-C30

| | |
|------------------|---|
| Output power | <p>Front speaker (L/R): 15 W + 15 W (1 kHz, T.H.D. 1.0 %, 8 Ω, 20 kHz LPF)</p> <p>Subwoofer: 30 W (100 Hz, T.H.D. 1.0 %, 4 Ω, 20 kHz LPF)</p> |
| FTC Output Power | <p>Front speaker (L/R): 10 W + 10 W (1 kHz, T.H.D. 1.0 %, 8 Ω, 20 kHz LPF)</p> <p>Subwoofer: 20 W (100 Hz, T.H.D. 1.0 %, 4 Ω, 20 kHz LPF)</p> |

■ SPEAKER SECTION

SC-C50

Front speaker (L/C/R)

| | |
|---------|--------------------------------------|
| Type | 2 way, 2 speaker (Closed) |
| Woofer | 6.5 cm (2 1/2") × 1/ch, Cone type |
| Tweeter | 1.6 cm (5/8") × 1/ch, Dome type |

Subwoofer

| | |
|-----------|-----------------------------------|
| Type | 1 way, 1 speaker (Bass reflex) |
| Subwoofer | 12 cm (4 3/4") × 1, Cone type |

SC-C30

Front speaker (L/R)

| | |
|---------|--------------------------------------|
| Type | 2 way, 2 speaker (Closed) |
| Woofer | 6.5 cm (2 1/2") × 1/ch, Cone type |
| Tweeter | 1.6 cm (5/8") × 1/ch, Dome type |

Subwoofer

| | |
|-----------|-----------------------------------|
| Type | 1 way, 1 speaker (Bass reflex) |
| Subwoofer | 12 cm (4 3/4") × 1, Cone type |

■ Bluetooth® SECTION

| | |
|-----------------------------------|--------------------------------------|
| Bluetooth® system specification | Bluetooth® Ver.4.2 |
| Wireless equipment classification | Class 2 (2.5 mW) |
| Supported profiles | A2DP, AVRCP |
| Supported codec | AAC, SBC |
| Frequency band | 2.4 GHz band FH-SS |
| Operating distance | Approx. 10 m (33 ft) Line of sight*1 |

*1: Prospective communication distance

Measurement environment:

Temperature 25 °C (77 °F)/

Height 1.0 m (3.3 ft)

Measure in "Mode1"

■ TERMINALS SECTION

| | |
|------------------------------------|---|
| USB | Type A Connector USB 2.0 High-Speed DC 5 V 500 mA USB Mass Storage Class File system: FAT16, FAT32, NTFS |
| Support Memory Capacity | 2 TB (max) |
| Maximum number of folders (albums) | 800 |
| Maximum number of files (songs) | 8000 |
| Ethernet interface | LAN (100BASE-TX/10BASE-T) |
| AUX Input | Stereo, ϕ 3.5 mm (1/8") Jack |
| Digital Input | Optical digital input (Optical terminal) |
| Format support | LPCM |

■ Wi-Fi SECTION

| | |
|----------------|-------------------------------------|
| Standard | IEEE802.11a/b/g/n/ac |
| Frequency band | 2.4 GHz band 5 GHz band |
| Security | WPA2™, Mixed mode WPA2™/ WPA™ |
| WPS version | Version 2.0 |

- The WLAN feature of this product shall exclusively be used inside buildings.

■ File format

This unit supports the following file formats.

- This unit does not support the playback of copy-protected music files.
- Playback of all files in formats supported by this unit is not guaranteed.
- Playback of a file in a format not supported by this unit may cause choppy audio or noise. In such cases, check to see if this unit supports the file format.
- This unit does not support VBR (Variable Bit Rate) playback.
- Some of the connected devices or servers may be capable of converting files in formats not supported by this unit and output them. For details, refer to the operating instructions for your devices or servers.
- File information (sampling frequency, etc.) shown by this unit and playback software may differ from each other.

Optical digital input

| Format support | Sampling frequency | Bit rate/ Number of quantization bits |
|----------------|----------------------------|---|
| LPCM | 32/44.1/48/ 88.2/96 kHz | 16/24 bit |

USB-A

| File format | Extension | Sampling frequency | Bit rate/ Number of quantization bits |
|-------------|--------------|--|---|
| MP3 | .mp3 | 32/44.1/ 48 kHz | 16 to 320 kbps |
| AAC | .m4a .aac | 32/44.1/48/ 88.2/96 kHz | 16 to 320 kbps |
| WAV | .wav | 32/44.1/48/ 88.2/96/ 176.4/192/ 352.8/ 384 kHz | 16/24/32 bit |
| FLAC | .flac | 32/44.1/48/ 88.2/96/ 176.4/192/ 352.8/384 kHz | 16/24 bit |
| AIFF | .aiff | 32/44.1/48/ 88.2/96/ 176.4/192/ 352.8/384 kHz | 16/24/32 bit |
| ALAC | .m4a | 32/44.1/48/ 88.2/96/ 176.4/192/ 352.8/384 kHz | 16/24 bit |
| DSD | .dff .dsf | 2.8/5.6/ 11.2 MHz | |

LAN (DMR)*

| File format | Extension | Sampling frequency | Bit rate/ Number of quantization bits |
|-------------|--------------|--|---|
| MP3 | .mp3 | 32/44.1/ 48 kHz | 16 to 320 kbps |
| AAC | .m4a .aac | 32/44.1/48/ 88.2/96 kHz | 16 to 320 kbps |
| WAV | .wav | 32/44.1/48/ 88.2/96/ 176.4/192/ 352.8/384 kHz | 16/24/32 bit |
| FLAC | .flac | 32/44.1/48/ 88.2/96/ 176.4/192/ 352.8/384 kHz | 16/24 bit |
| AIFF | .aiff | 32/44.1/48/ 88.2/96/ 176.4/192/ 352.8/384 kHz | 16/24/32 bit |
| ALAC | .m4a | 32/44.1/48/ 88.2/96/ 176.4/192/ 352.8/384 kHz | 16/24 bit |
| DSD | .dff .dsf | 2.8/5.6/ 11.2 MHz | |

*: Whether or not each music file can be played back over your network is determined by the network server even if the format of the file is listed above. For example, if you are using Windows Media Player 11, not all music files on the PC are playable. You can play back only those added to the library of Windows Media Player 11.

Note

- Specifications are subject to change without notice.
- Mass and dimensions are approximate.

**Panasonic Corporation of
North America**

Two Riverfront Plaza, Newark, NJ 07102-5490
www.shop.panasonic.com

Panasonic Canada Inc.

5770 Ambler Drive, Mississauga, Ontario, L4W 2T3
www.panasonic.com



TQBM0563
M0919TK0