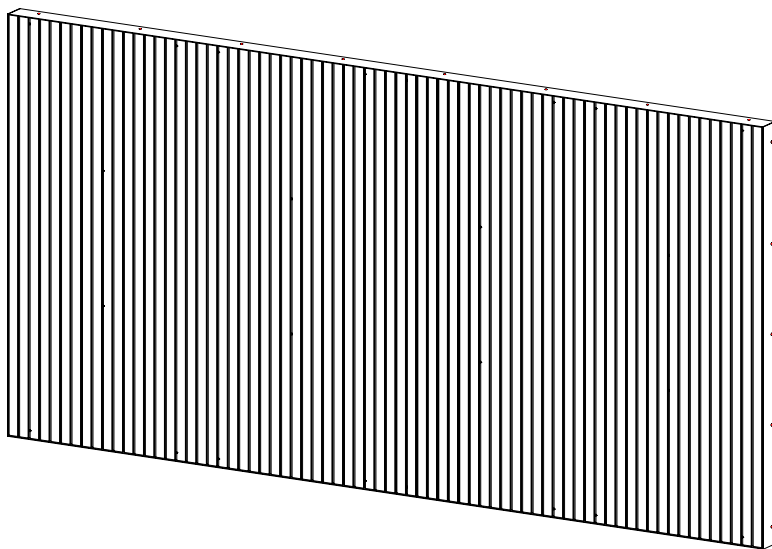


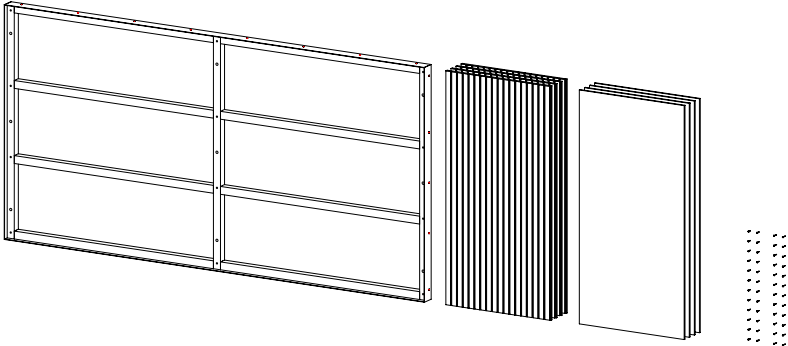
VicStrip Spacer Kit

Installation Manual



✓ MATERIAL NEEDED

Included



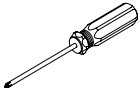
VicSpacer XXL

VicStrip

PET Panel

Screws

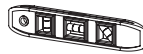
Not Included



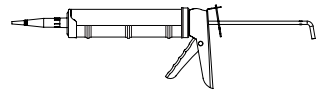
Screwdriver



Wall Plugs and Screws



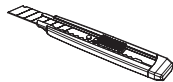
Level



Flexi Glue Ultra



Screw Machine



Box cutter



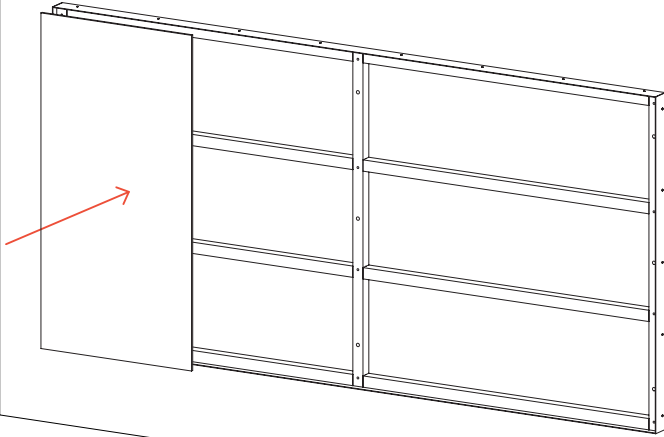
Measuring Tape



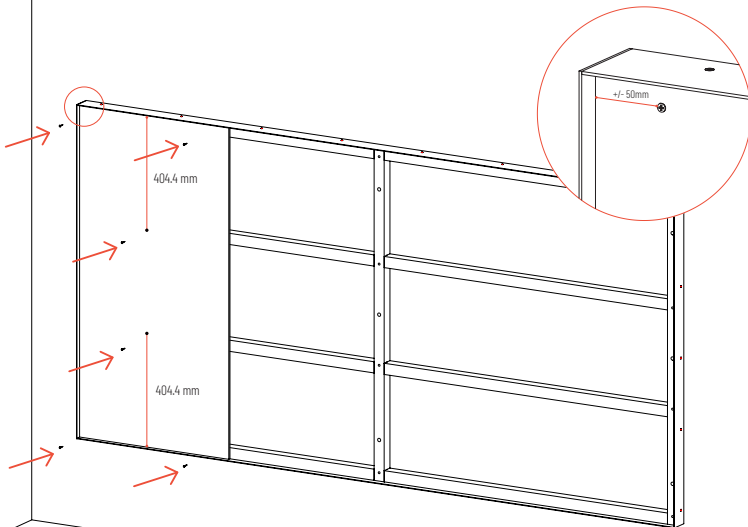
To know how to assemble the VicSpacer XXL please consult the Assembly Manual. You can access VicSpacer XXL Installation Manual using the QR Code.

1

After attaching the VicSpacer to the wall, start installing the PET panels to the wooden structure and fixing them with the supplied galvanized screws.

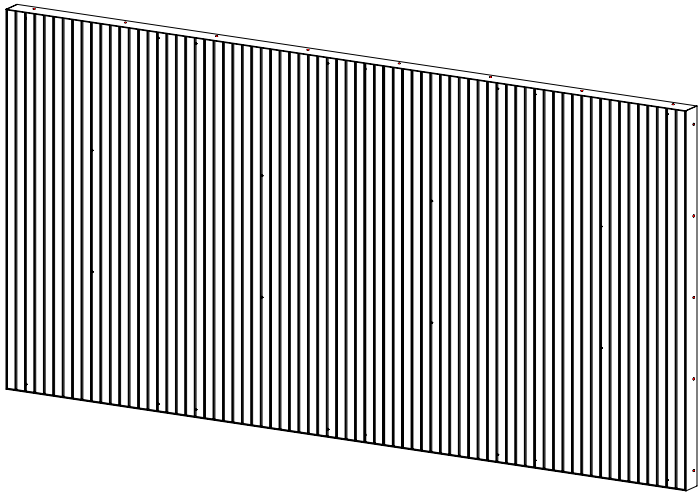
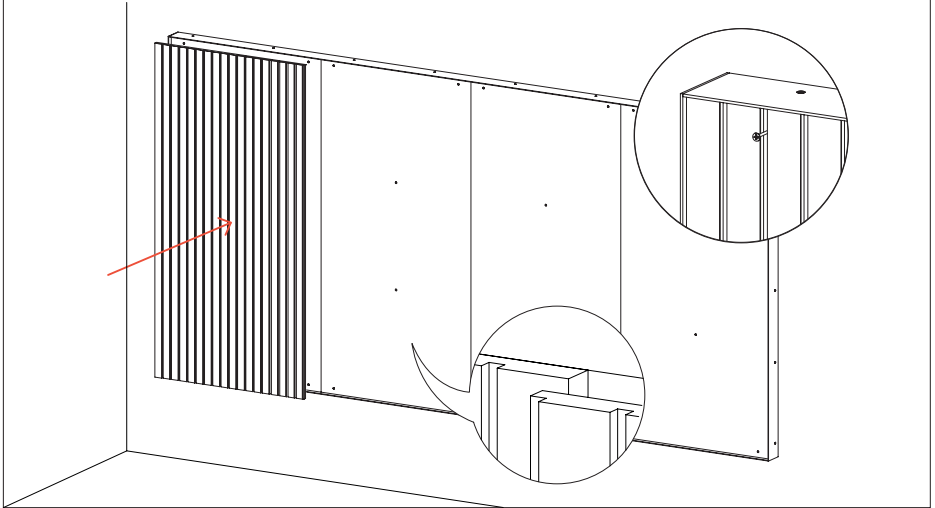


2



3

Install the VicStrip according to the diagram and fix them to the wooden structure with the help of the black screws applied in between the strips.



Main Office, R&D & Logistics

Avenida do Pólo 3, N.º 159, Carvalhosa
4590-137 Paços de Ferreira, Portugal

Office

Rua Quinta do Bom Retiro N.º 16, Armazém 9
2820-690 Charneca da Caparica, Portugal
T (+351) 212 964 100

Info and Sales

E sales@vicoustic.com

www.vicoustic.com



© Vicoustic, 2023 | V2

No parts of this document might be copied and/or published without written consent of Vicoustic.