

LYNGDORF AUDIO DISCRETE SERIES

D-500, D-500 Center, D-5, D-5 IC

INSTALLATION MANUAL

TABLE OF CONTENTS

COMPLIANCE	3
PRE-INSTALLATION	4
SPEAKER INSTALLATION	8
D-500 MOUNTING DIMENSIONS	9
D-500 CENTER MOUNTING DIMENSIONS.....	11
D-5 MOUNTING DIMENSIONS	12
D-5 IC MOUNTING DIMENSIONS	13
TECHNICAL SPECIFICATIONS.....	14
SERVICE INFORMATION.....	16

COMPLIANCE

WEEE

The European Parliament and the Council of the European Union have issued the Waste Electrical and Electronic Equipment Directive. The purpose of the Directive is to prevent waste of electrical and electronic equipment and to promote reuse, recycling, and other forms of waste recovery. Steinway Lyngdorf products and the accessories packed with them are subject to the WEEE Directive. Please dispose of any waste materials in accordance with your local recycling regulations. Products and equipment which must be collected for reuse, recycling, and other forms of recovery are marked with the icon of the crossed-out waste receptacle.



FCC

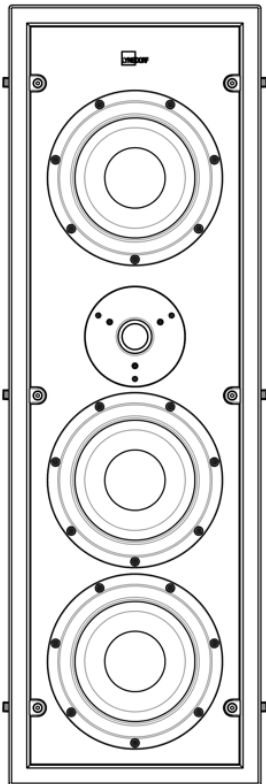
Steinway Lyngdorf products and accessories comply with parts 15 and 68 of the FCC rules. Operation is subject to the following two conditions: (1) this device may not cause harmful interference; and (2) this device must accept any interference received, including any interference that may cause undesired operation. Changes or modifications not expressly approved by the party responsible for compliance could void the user's authority to operate the equipment. Equipment marketed to a consumer must be capable of complying with the necessary regulations in the configuration in which the equipment is marketed.

PRE-INSTALLATION

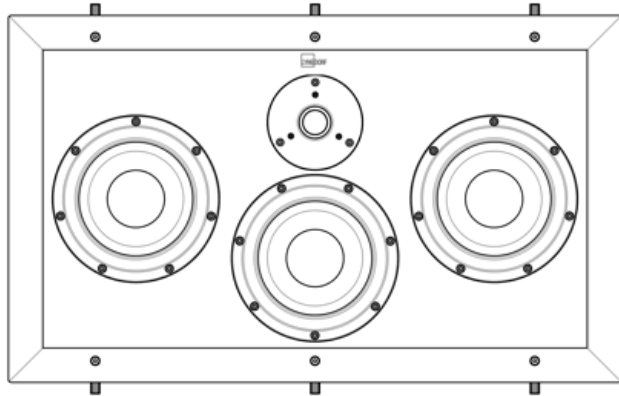
Unpacking the loudspeaker

Carefully remove the loudspeaker units and accessories from the carton and check for shipping damage. Contact both the shipper and your local Lyngdorf Audio representative immediately if the unit bears any sign of damage from mishandling. In some cases, it may be necessary to return the equipment to Lyngdorf Audio or an authorized service provider for repair; therefore, it is recommended that you save your original packing materials. If this unit is shipped without the original packing, damage could occur and void the warranty.

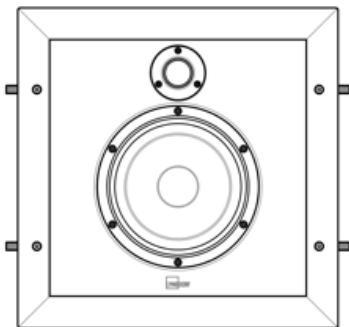
D-500



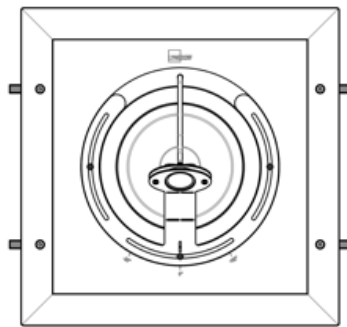
D-500 Center



D-5



D-5 IC



Inventory

Check the list below to ensure that all necessary product components have been delivered. Please report all discrepancies to your Steinway Lyngdorf representative immediately.

- Loudspeaker with mounting legs on the sides
- Installation manual
- Installation cut-out template
- Loudspeaker grill
- Lyngdorf logo badge
- Hex 3 bits
- Safety wire (*only for D-5 IC*)

Weight

Please ensure that the wall or ceiling type can handle the weight of the speaker in the chosen position, and that the mounting legs can hold tight.

D-500	6,7 kg / 14.7 lb
D-500 Center	11,5 kg / 25.4 lb
D-5	6,4 kg / 14.1 lb
D-5 IC	6,9 kg / 15.2 lb

Cables


Recommended minimum up to 16m / 50ft: AWG 14/2 or 2-lead 2mm²


Recommended minimum from 16m / 50ft and up: AWG 12/2 or 2-lead 3.5mm²

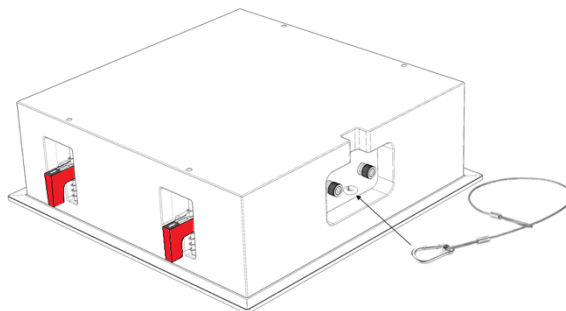
Recommended maximum: Double AWG 10/2 or 2-lead 5mm²

Allow min. 50cm longer cable for each speaker for connecting the cable to the speaker binding posts before the speaker is placed inside the wall or ceiling.

Safety Wire

 When mounting the D-5 IC in the ceiling, the safety wire must be used to prevent damages and accidents.

 Make sure the safety wire and safety hook are not making contact with the speaker cable connectors.



Cut-out Hole Dimensions

Be sure there is ample clearance behind the wall or ceiling to allow for the speaker to be properly installed.

With all speaker models you will find the relevant cut-out template. The minimum cut-out dimensions required are:

Speaker	Depth	Height	Width
D-500	107 mm / 4.2 in	751 mm / 29.6 in	226 mm / 8.9 in
D-500 Center	107 mm / 4.2 in	360 mm / 14.2 in	618 mm / 24.3 in
D-5	107 mm / 4.2 in	334 mm / 13.2 in	334 mm / 13.2 in
D-5 IC	110 mm / 4.3 in	334 mm / 13.2 in	334 mm / 13.2 in

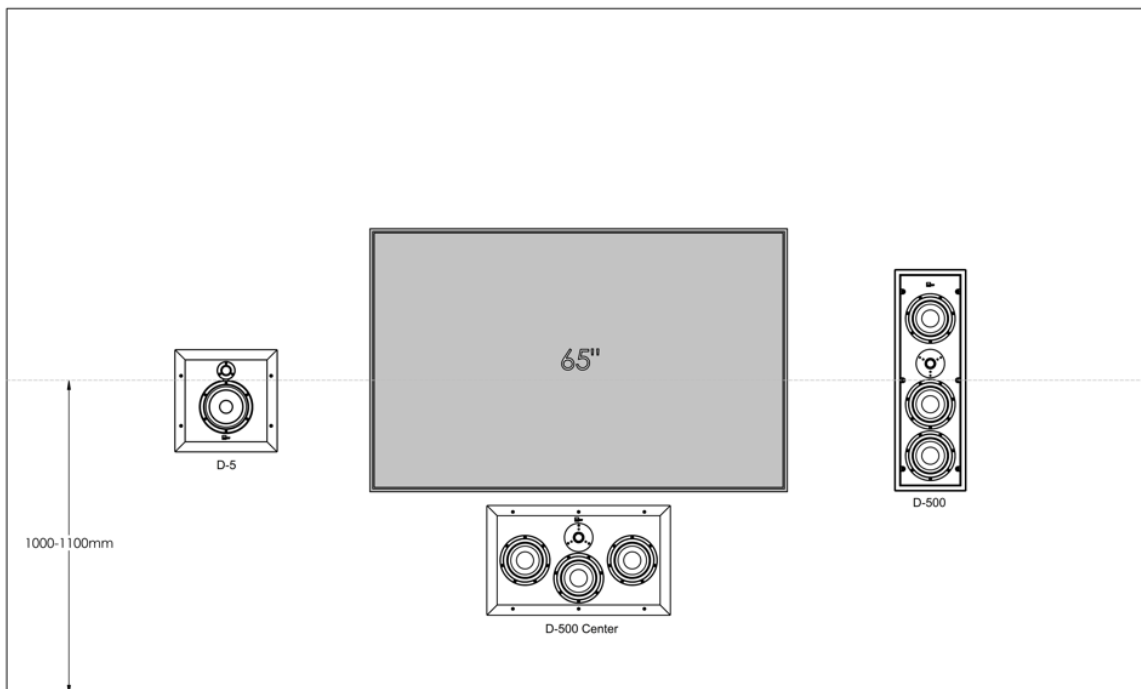
The cutout hole dimensions must be with a maximum deviation of +/- 2 mm equivalent to +/- 0.08 in

Placement of speakers

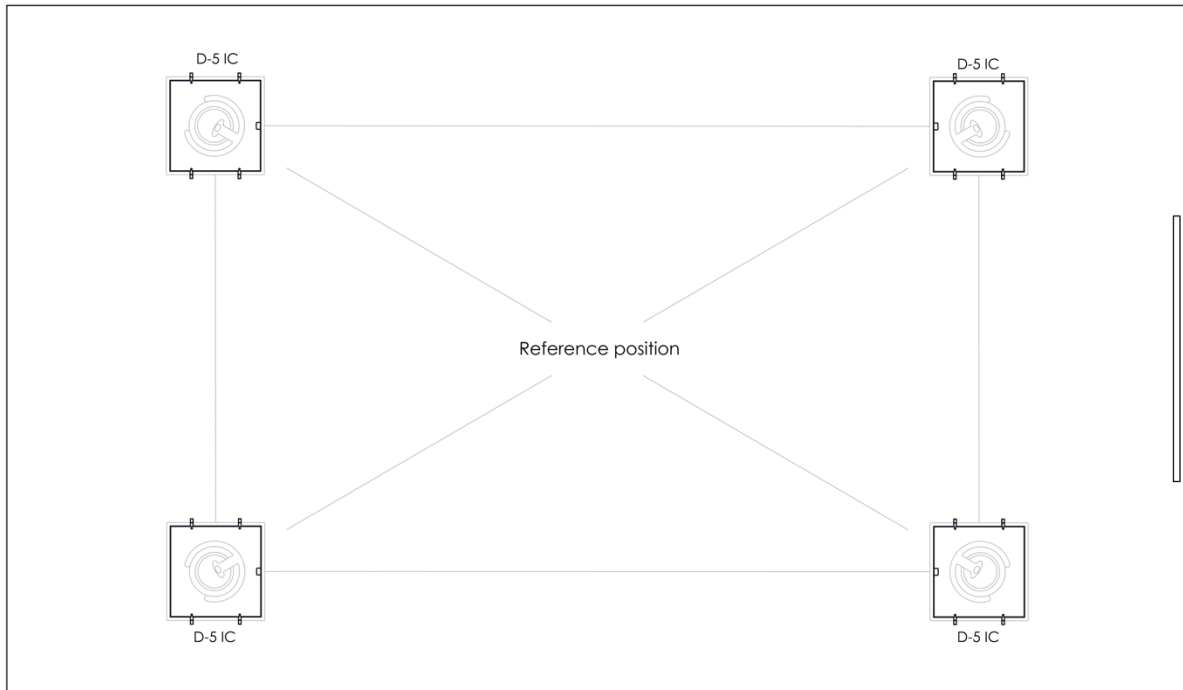
It is recommended to place the speakers so that they

- align acoustically with each other
- align with the screen and listener's ear height
- meet the guidelines for either stereo or surround sound placement

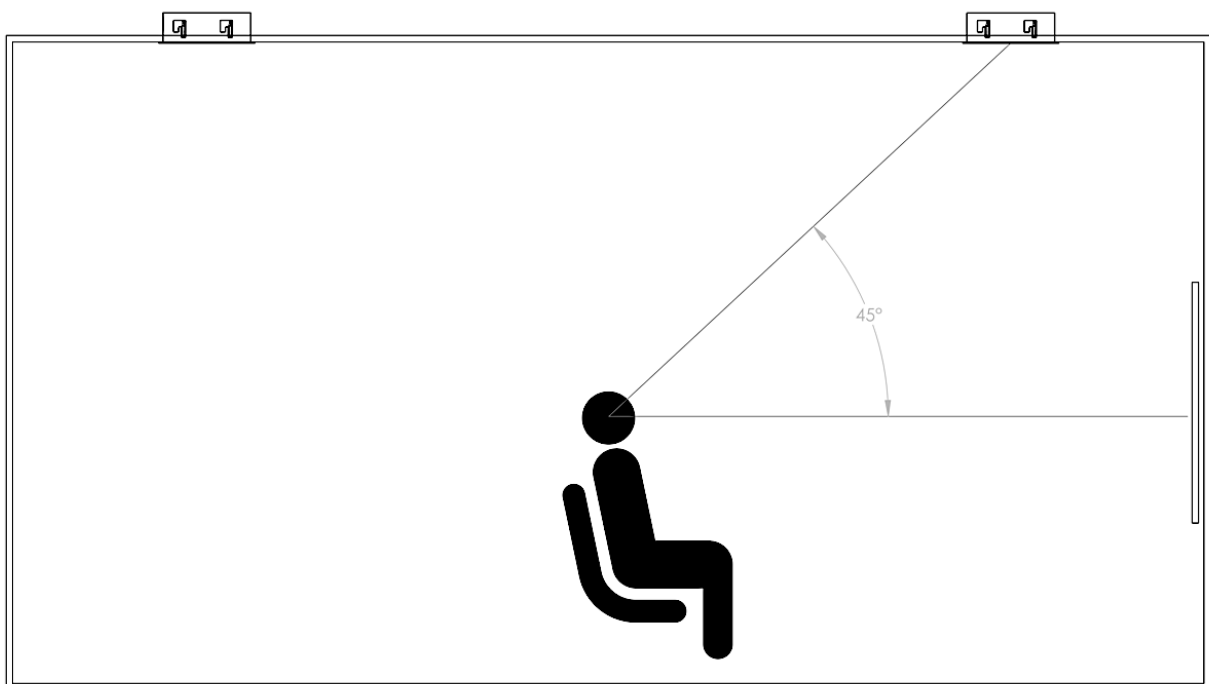
Listening view example:



Ceiling view example:

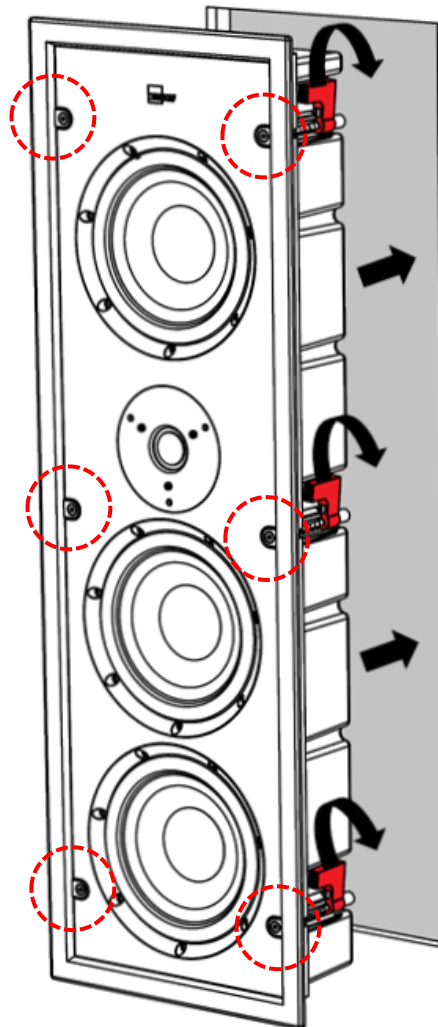


Screen and listener alignment example:

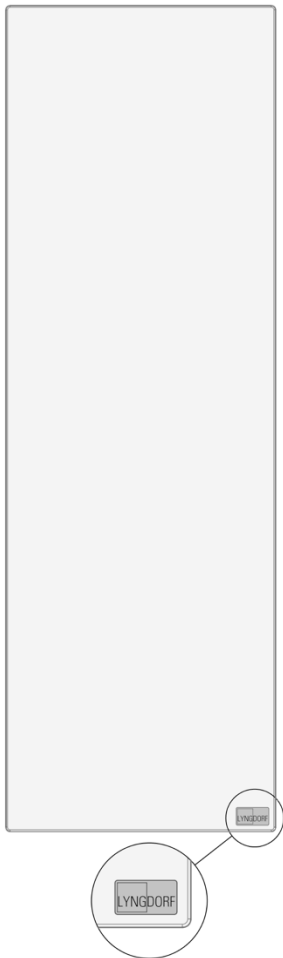


SPEAKER INSTALLATION

1. Hold the loudspeakers near the cutout and connect the loudspeaker wires. Make sure the cable ends are securely tightened and no bare wire is standing out.
2. Insert the loudspeaker into the cutout and align the speaker.
3. Using a Hex 3 key, turn each mounting screw clockwise until it is firmly in place. This will automatically turn the red mounting legs inside by 90 degrees, and each further turn with the Allen Key will pull the loudspeaker against the wall. If you are using an electric screwdriver, set it to the lowest torque to prevent overtightening or damaging the wall, and tighten with a Hex key by hand.

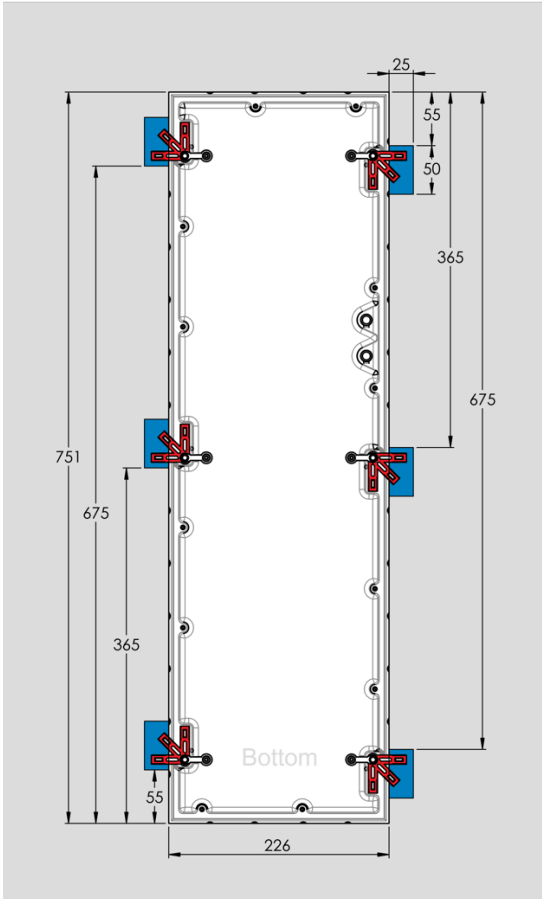


4. Attach the included grill to the loudspeaker and place the Lyngdorf Logo (optional).

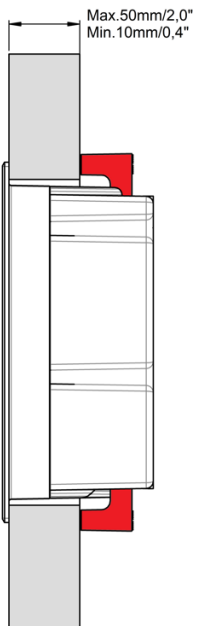


D-500 MOUNTING DIMENSIONS

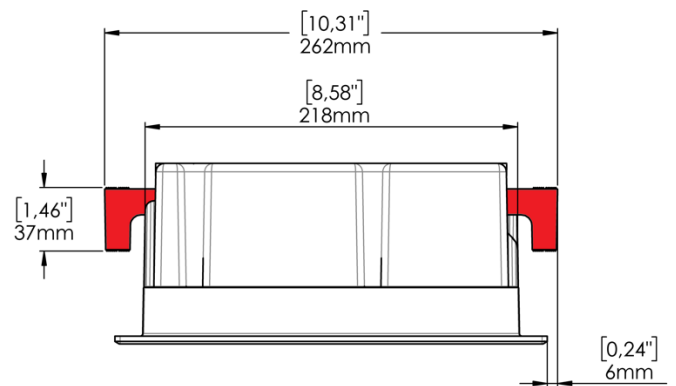
Cutout dimensions back view:



Mounting leg position:

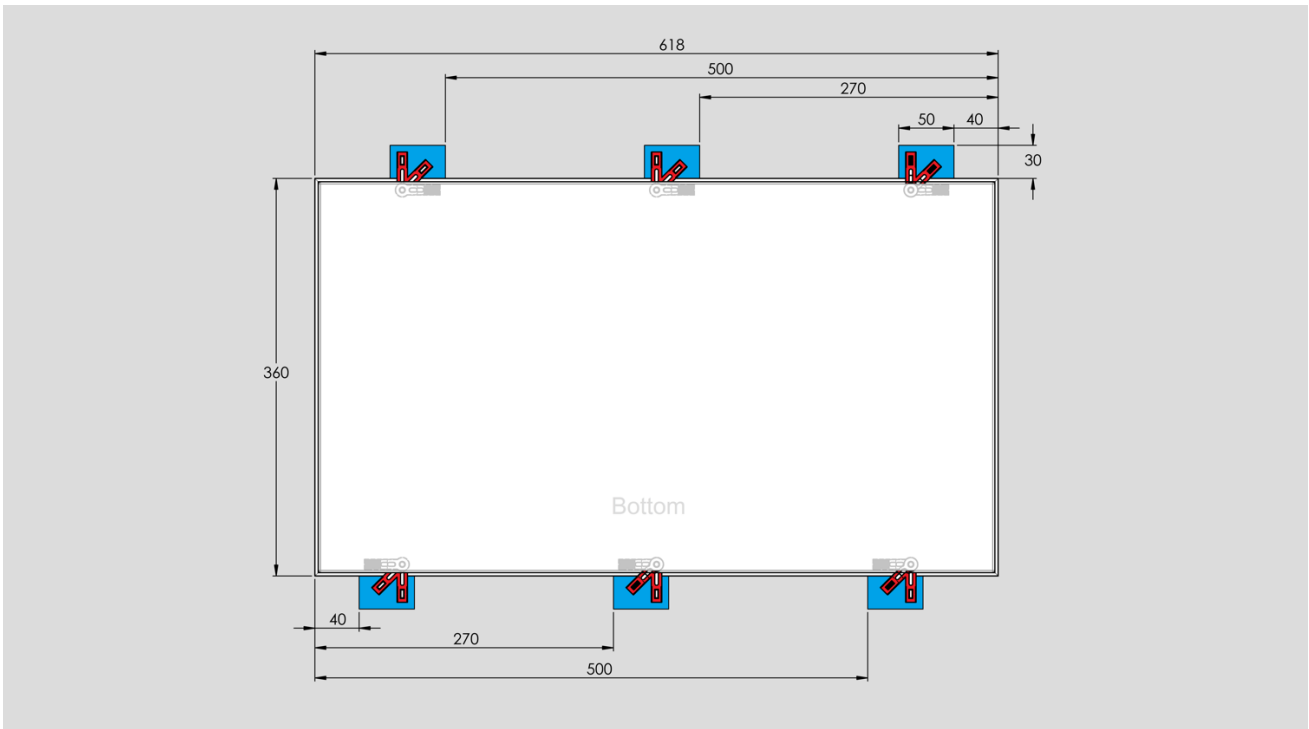


Mounting leg span:



D-500 CENTER MOUNTING DIMENSIONS

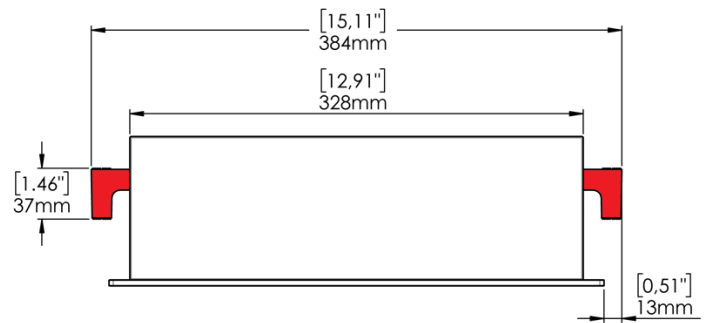
Cutout dimensions back view:



Mounting leg position:

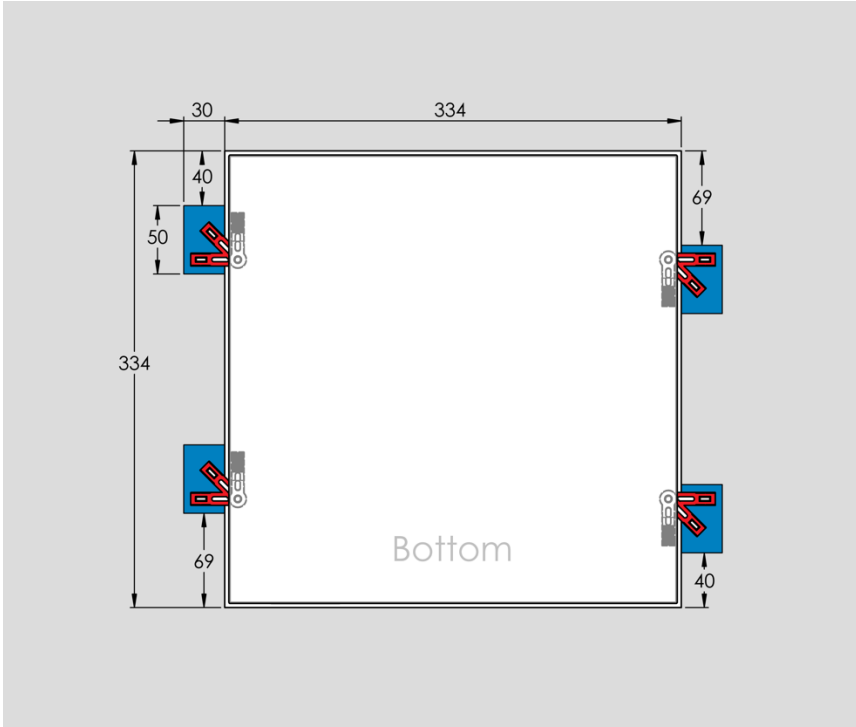


Mounting leg span:

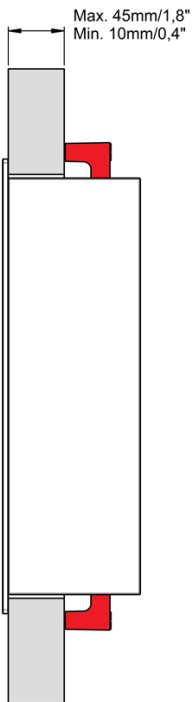


D-5 MOUNTING DIMENSIONS

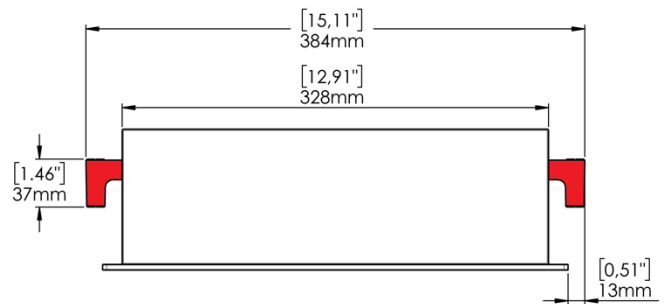
Cutout dimensions back view:



Mounting leg position:

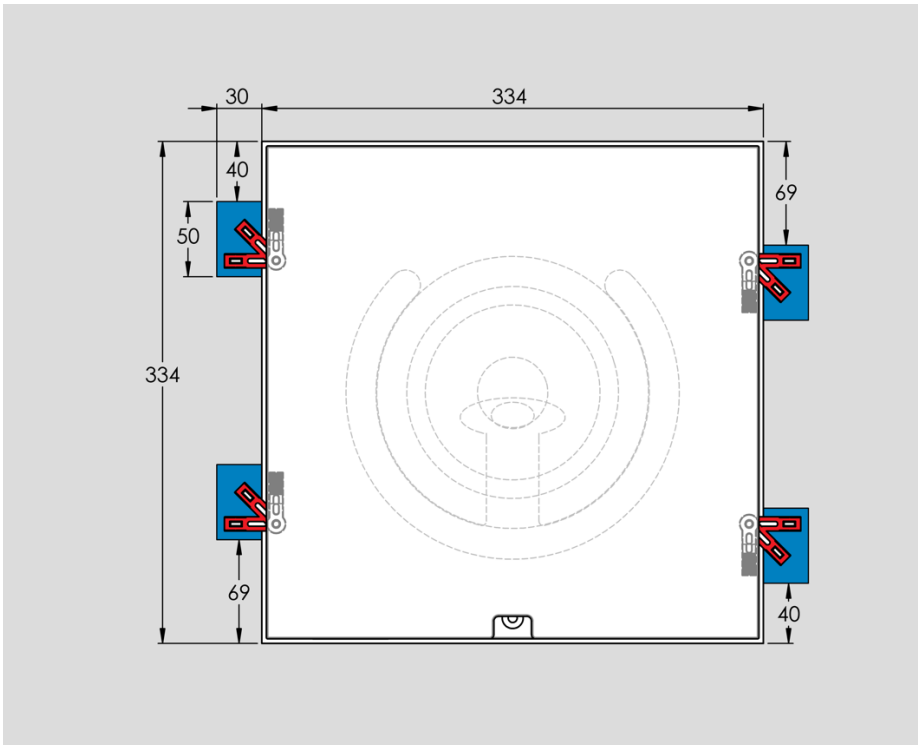


Mounting leg span:



D-5 IC MOUNTING DIMENSIONS

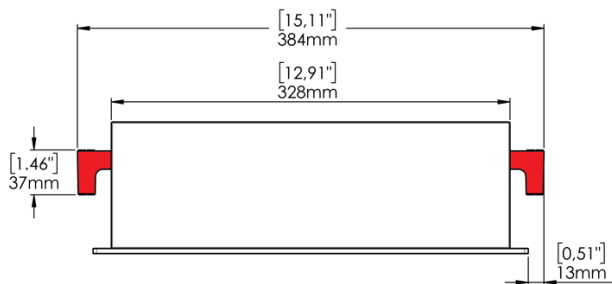
Cutout dimensions back view:



Mounting leg position:



Mounting leg span:



TECHNICAL SPECIFICATIONS

D-500

Description:	2 way speaker with 2 passive woofers
Powerhandling:	100W
Nominal Impedance:	4 Ohm
Tweeter:	28 mm / 1,1" dome
Midrange driver:	175 mm, 38 mm voice coil, aluminum cone, vented magnet
Passive woofer:	2 x 175 mm, aluminum cones
Frequency response:	47 – 22.000 Hz (-6 dB)
Sensitivity:	88 dB 2.83 v/ 1 m
Crossover point:	2,5 kHz
Connections:	Binding posts
Mounting:	In-wall
Dimensions (W x H x D)	254 x 779 x 106 mm / 10 x 30,7 x 4,2 inches
Weight:	6,4 kg / 14.1 lb
Finish:	Matte black, white grill

D-500 Center

Description:	2 way speaker with 2 passive woofers
Power handling:	100 W
Nominal Impedance:	4 Ohm
Tweeter:	28 mm / 1" dome
Midrange driver:	175 mm, 38 mm voice coil, aluminum cone, vented magnet
Passive woofers:	2 x 175 mm, aluminum cones
Frequency response:	47 – 22.000 Hz (-6 dB)
Sensitivity:	88 dB 2.83 v/ 1 m
Crossover point:	2,5 kHz
Connections:	Binding posts
Mounting:	In wall
Dimensions (Wx H x D):	646 x 388 x 109 mm / 25,4 x 15,3 x 4,9 inches
Weight:	11,5 kg / 25.4 lb
Finish:	Matte black, white grill

D-5

Description:	2 way speaker
Power handling:	100 W
Nominal Impedance:	4 Ohm
Tweeter:	25 mm / 1" dome
Midrange driver:	180 mm, 35 mm voice coil, aluminum cone, vented magnet
Frequency response:	70 – 20.000 Hz (-6 dB)
Sensitivity:	89 dB 2.83 v/ 1 m
Crossover point:	2,2 kHz
Connections:	Binding posts
Mounting:	In wall
Dimensions (WHD):	362 x 362 x 109 mm / 14,25 x 14,25 x 4,3 inches
Weight:	6,4 kg / 14.1 lb
Finish:	Matte black, white grill

D-5 IC

Description:	2 way speaker
Power handling:	100 W
Nominal Impedance:	4 Ohm
Tweeter:	25 mm / 1" dome
Midrange driver:	180 mm, 35 mm voice coil, aluminum cone, vented magnet
Frequency response:	70 – 20.000 Hz (-6 dB)
Sensitivity:	89 dB 2.83 v/ 1 m
Crossover point:	2,2 kHz
Connections:	Binding posts
Mounting:	In ceiling
Dimensions (WHD):	362 x 362 x 114 mm / 14,25 x 14,25 x 4,5 inches
Weight:	6,9 kg / 15.2 lb
Finish:	Matte black, white grill

SERVICE INFORMATION

To obtain warranty service, you must contact your original dealer or the Steinway Lyngdorf distributor of the region or country where you are located. If you have trouble locating an authorized representative, please find contact information at www.steinwaylyngdorf.com,

Steinway Lyngdorf
Ulvevej 28
DK 7800 Skive
Denmark

In some cases, it may be necessary to return the equipment to Steinway Lyngdorf or an authorized service provider for repair; therefore, it is recommended that you save your original packing materials. Steinway Lyngdorf will not be responsible for any damage due to unauthorized packing or shipment in non-original packing materials. If return is made in authorized packaging, risks are borne by Steinway Lyngdorf. Additional charges may occur if new packing materials are required for return shipment.

Please check the latest version of this printed manual on our website:

www.steinwaylyngdorf.com

