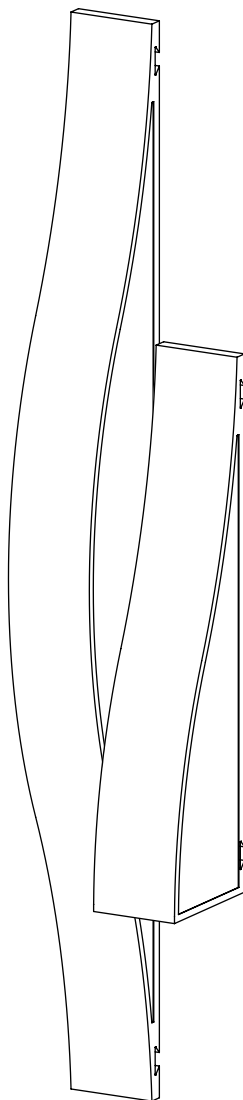


Flexi Wave Ultra

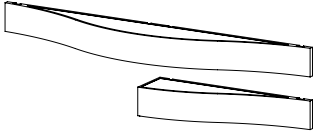
Installation Manual

EN

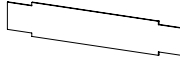


✓ MATERIAL NEEDED

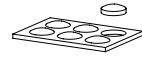
Included



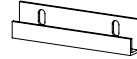
FlexiWave Ultra x6



Gauge x1

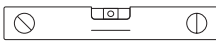


Silicone Drop x12



VicFix J Profile 80mm | 3.14" x12

Not Included



Level



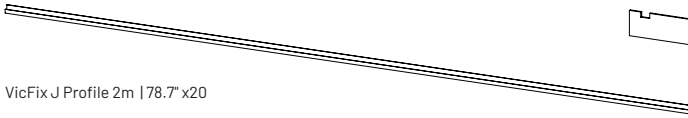
Drill



Wall Plugs and Screws x12



Measuring Tape

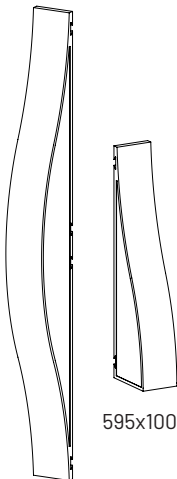


VicFix J Profile 2m | 78.7" x20



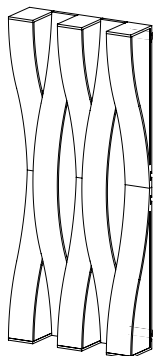
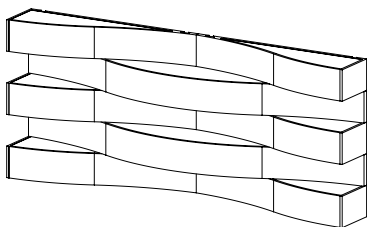
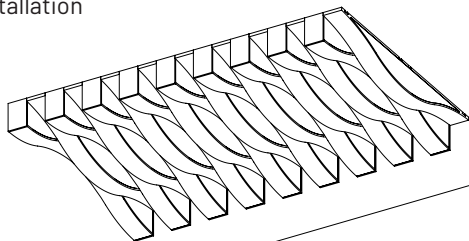
Ceiling Gauge x2

Available formats



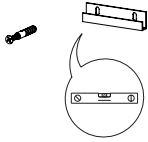
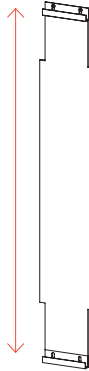
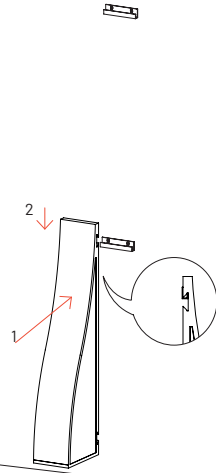
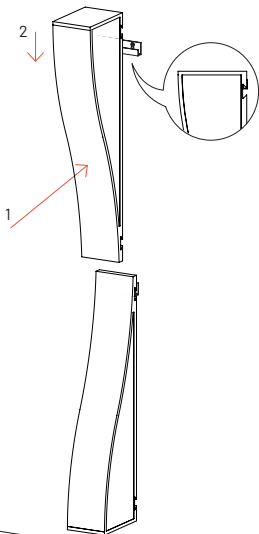
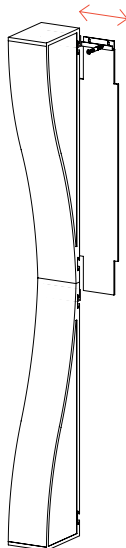
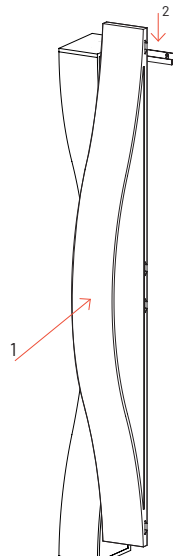
595x100x156mm

1190x100x156mm

Vertical Wall Installation**Horizontal Wall Installation****Ceiling Installation**

1

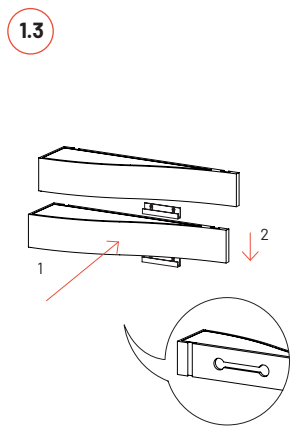
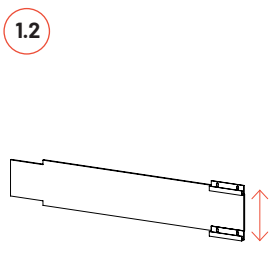
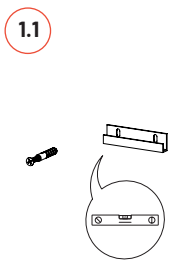
Step by step vertical wall installation.

1.1**1.2****1.3****2****3****4**

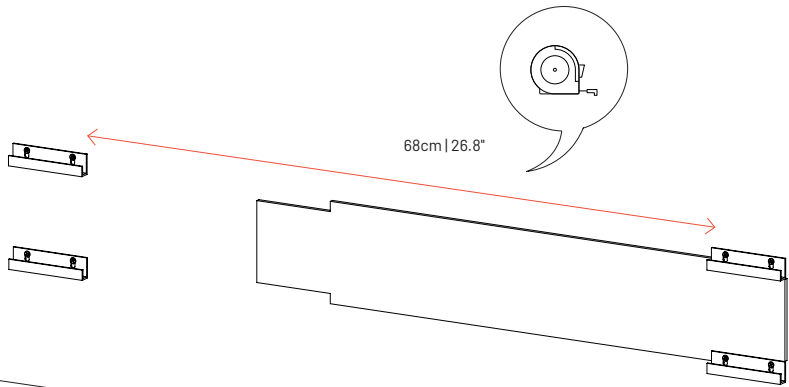
* This product can also be installed on the wall in the vertical position with the VicFix J Profile 2m (sold separately).

1

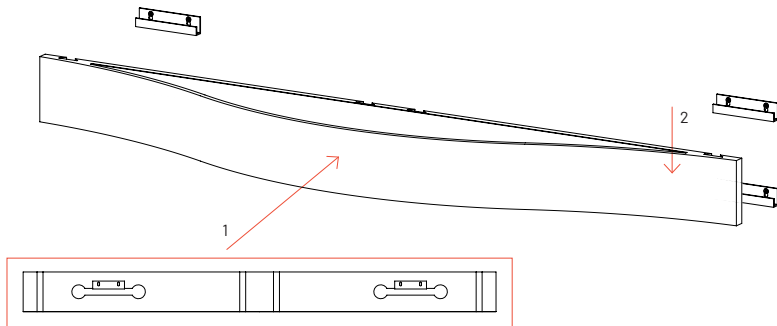
Step by step horizontal wall installation.



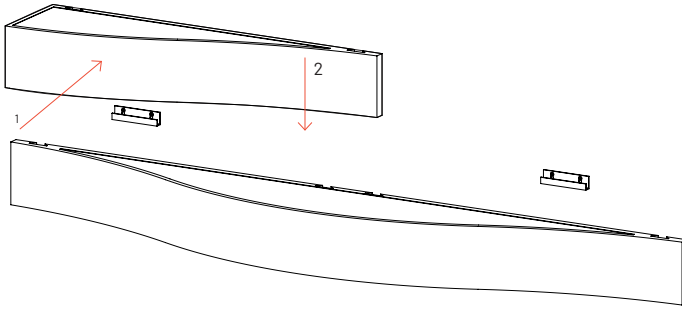
2



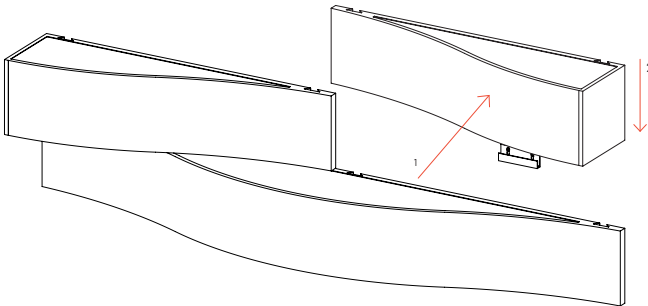
3



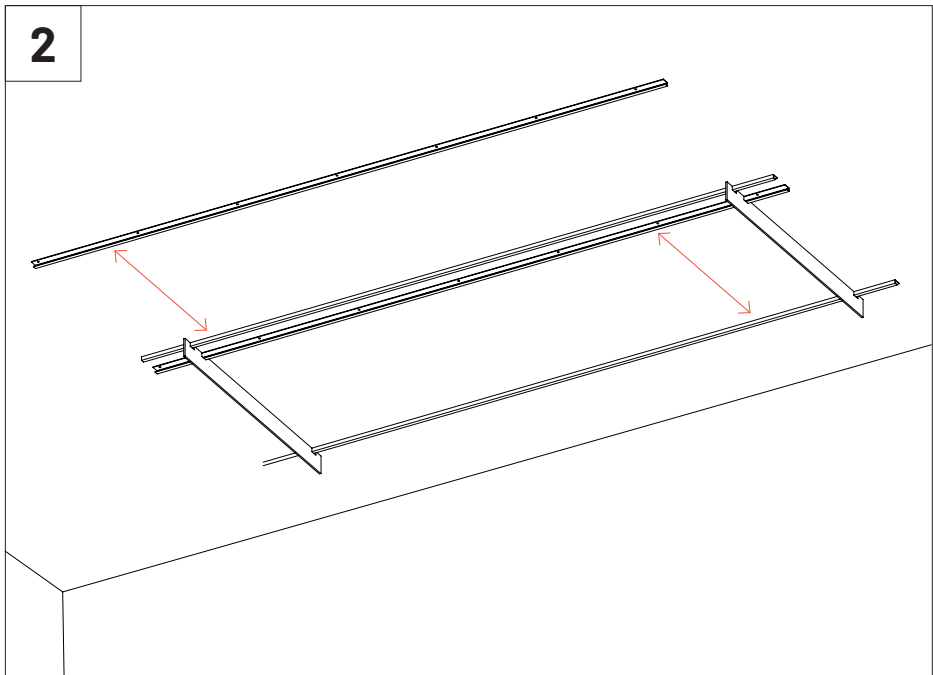
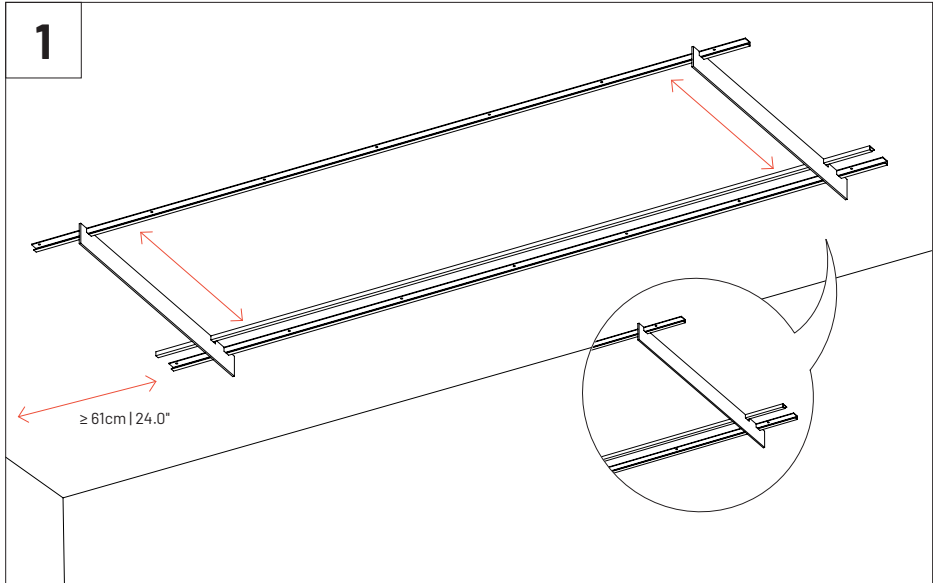
4



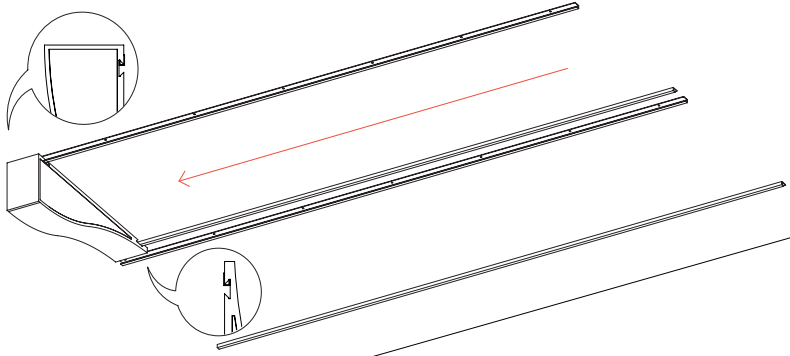
5



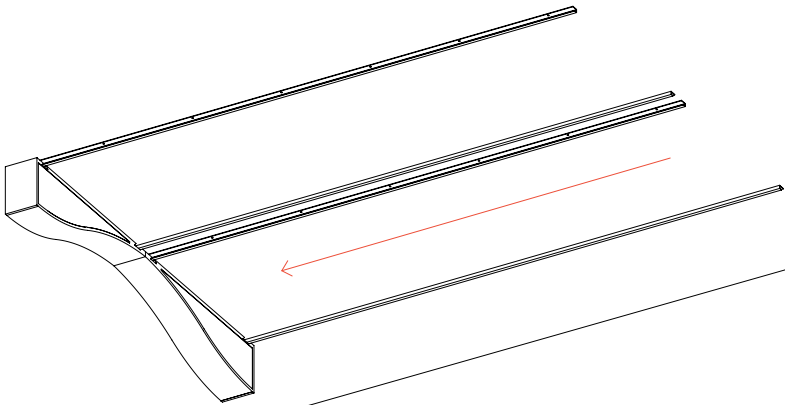
Step by step ceiling Installation: For Ceiling Installation you must buy the VicFix Gauge and VicFix J Profile 2m.



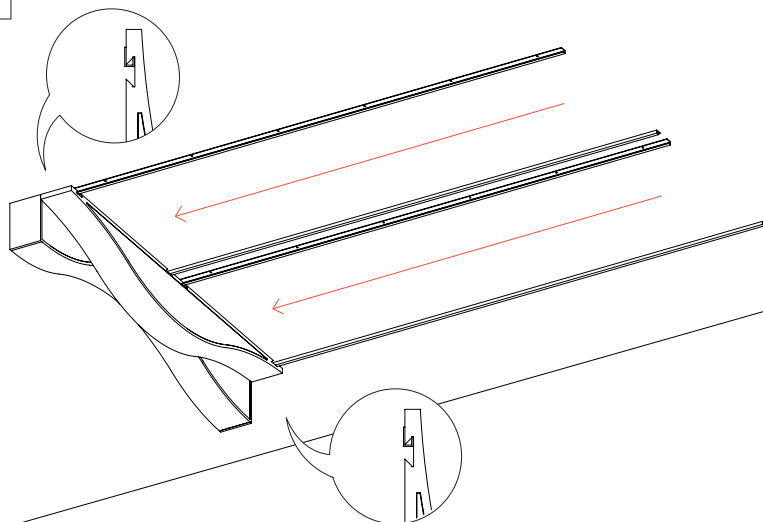
3



4



5



!

Please note: For ceiling installation do not use the VicFix J Profile sections supplied with the product. Use the VicFix J Profile 2m, sold separately. It is recommended to leave some centimeters beyond the last panel to avoid it to lose contact with the VicFix J profile. In countries where earthquakes are likely to happen, it should be applied a blocking element such as an L profile to avoid the last panel to slide off the VicFix J profile. Vicoustic will not take responsibility for any mistakes/limitations occurring during installations or any damages resulting from falling panels.

Main Office, R&D & Logistics

Avenida do Pólo 3, N.º 159, Carvalhosa
4590-137 Paços de Ferreira, Portugal
T (+351) 255 136 746

Office

Rua Quinta do Bom Retiro N.º 16, Armazém 9
2820-690 Charneca da Caparica, Portugal
T (+351) 212 964 100

Info and Sales

E sales@vicoustic.com

www.vicoustic.com



© Vicoustic, 2019 | V2

No parts of this document might be copied and/or published without written consent of Vicoustic.