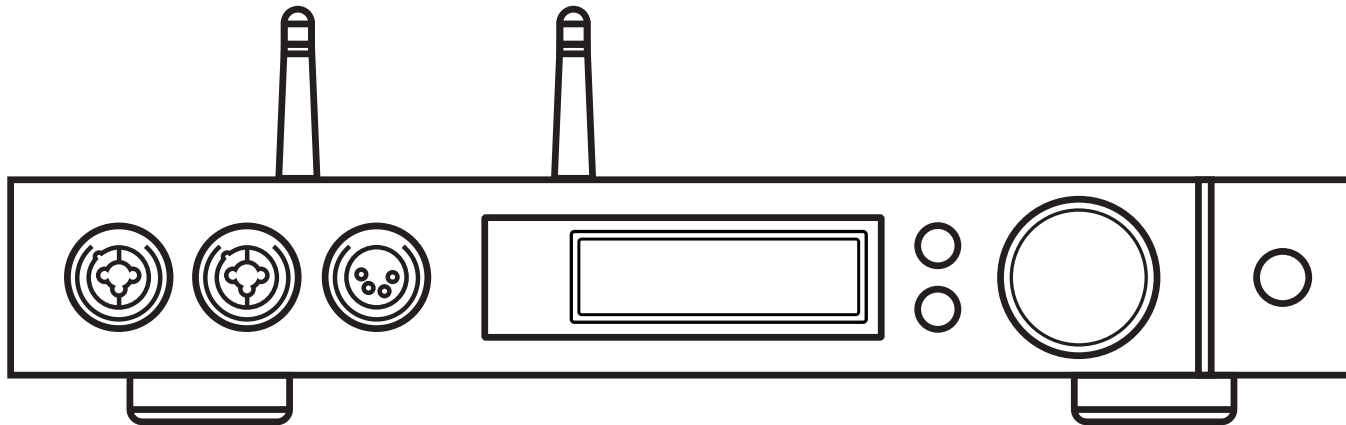


element · X

MUSIC STREAMER COMBO

User Manual



HIGH PERFORMANCE AUDIO

www.matrix-digi.com

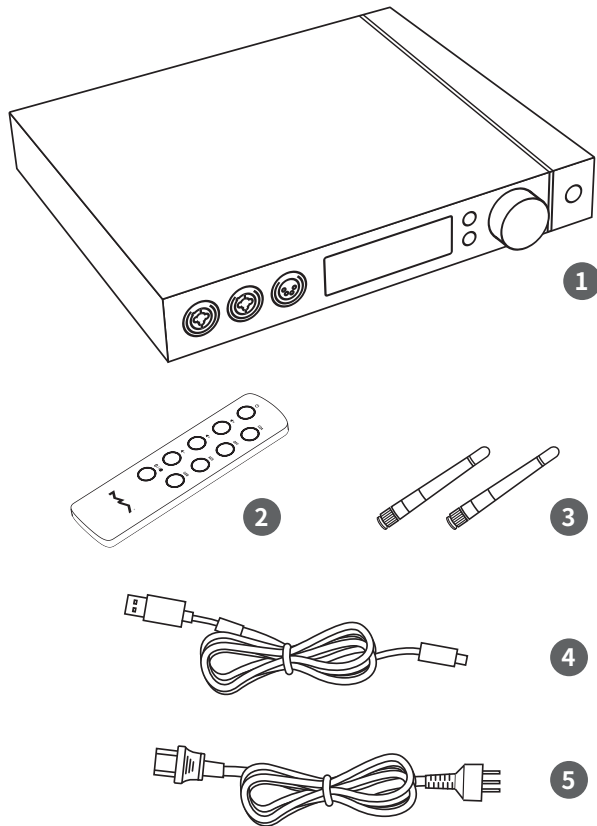
Matrix Electronic Technology Co., LTD
+86-29-86211122
B-801, No.111 Fengcheng 5th Rd.,
Xi'an, China
support@matrix-digi.com



Catalog

1. Packing list	01	4.1.2 Select the input source	09	5.9 Dimmer	15
2. Parts and name	01	4.1.3 Select output channel	09	5.10 Auto Sleep	15
2.1 Front panel	01	4.1.4 Volume control	09	5.11 User defined button settings	15
2.2 Rear panel	02	4.1.4.1 Volume adjustment	09	5.12 Network Type	15
2.3 Display screen	02	4.1.4.2 Mute	10	5.13 Remote Control	16
2.3.1 Display in main interface area	02	4.1.4.3 Hearing protection	10	5.14 Load Default	16
2.3.2 Volume control	02	4.1.5 Gain control	10	5.15 Product information	16
2.3.3 Display for input channel	03	4.1.6 Filter settings	10	6. Appendix	16
2.3.4 Display for Output channel	03	4.1.7 Auto sleep and wake up	10	6.1 File formats and sampling rate supported ..	16
2.4 Remote control	03	4.1.8 Remote control	11	6.2 About MQA	16
3. Connections	04	4.2 Play music through optical, coaxial or IIS-LVDS port ..	11	6.3 USB storage device requirements	17
3.1 Connect to AC power	04	4.3 Play music through AirPlay or DLNA	11	6.4 IIS-LVDS Port	17
3.2 Connect to input source	05	4.4 Play music from USB storage devices\SD Card\NAS ..	12	6.5 Technical specifications	18
3.3 Connect to headphone	05	4.5 USB Audio	12		
3.4 Connect to active speaker or AMP	06	5. Settings	13		
3.5 Connect to storage devices	06	5.1 Lineout Mode	13		
3.6 Connect to LAN	07	5.2 PCM Filters	14		
3.7 Connect to WLAN	07	5.3 DSD Filters	14		
4. Play	08	5.4 Headphone Gain	14		
4.1 Basic operation	08	5.5 Dither	14		
4.1.1 Power on	08	5.6 Jitter Eliminator	14		
		5.7 DPLL Bandwidth	15		
		5.8 IIS-LVDS Port Definition	15		

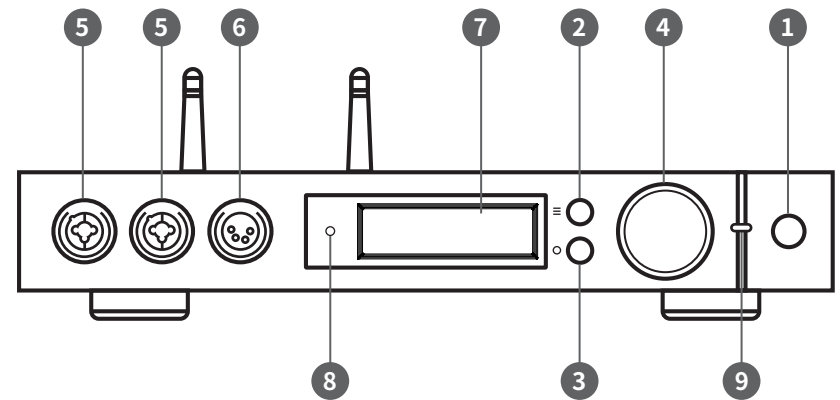
1. Packing list



- 1. Product x1
- 2. Remote x1
- 3. Wi-Fi antenna x2
- 4. USB cable x1
- 5. Power cable x1

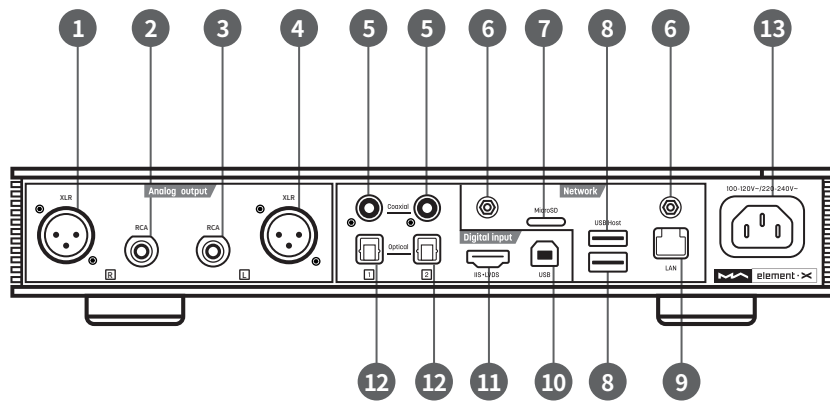
2. Parts and name

2.1 Front panel



- 1. Standby
- 2. Menu
- 3. User-defined
- 4. Volume/control knob
- 5. XLR3/6.35mm headphone jack
- 6. XLR4 Balanced headphone jack
- 7. Display
- 8. Remote control sensor
- 9. LED indicator

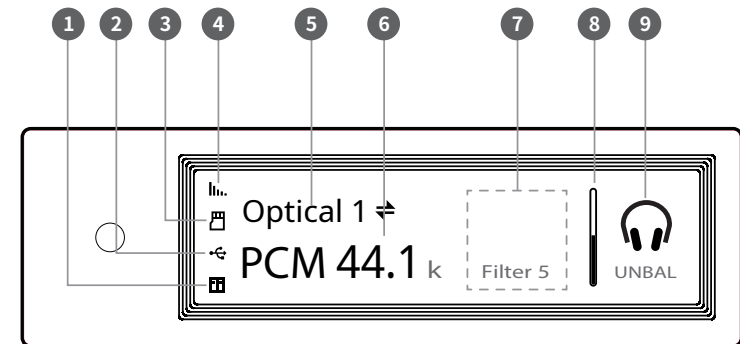
2.2 Rear panel



- | | |
|-----------------------------|-----------------------|
| 1. XLR right channel output | 8. USB HOST port |
| 2. RCA right channel output | 9. Wired network port |
| 3. RCA left channel output | 10. USB Audio port |
| 4. XLR left channel output | 11. IIS LVDS input |
| 5. Coaxial input | 12. Optical input |
| 6. Wi-Fi antenna jack | 13. Power input |
| 7. MicroSD card slot | |

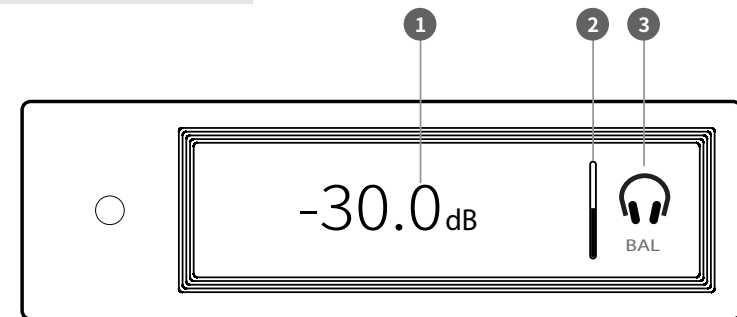
2.3 Display screen

2.3.1 Display in main interface area



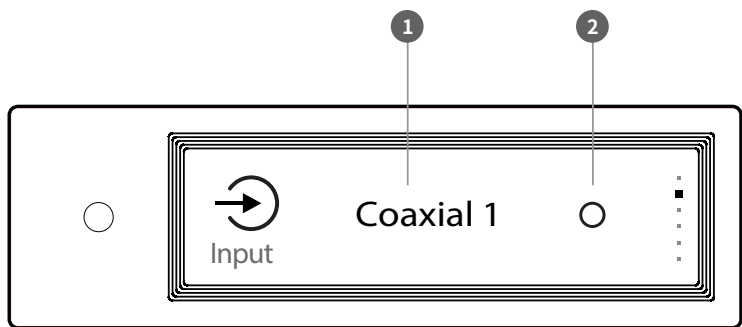
- | | |
|---|--------------------------|
| 1. Status for NAS devices | 6. Sampling rate |
| 2. Status for USB storage devices | 7. Assistant information |
| 3. Status for MicroSD card | 8. Volume bar |
| 4. Status for Wi-Fi and ethernet connection | 9. Output mode |
| 5. Input channel | |

2.3.2 Volume control



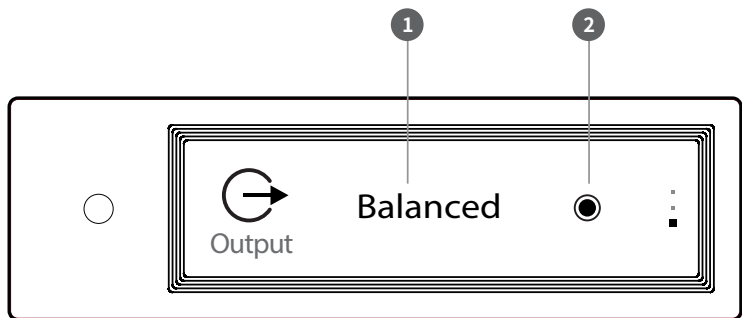
- | | | |
|----------------------------|---------------|----------------|
| 1. Current volume dB level | 2. Volume bar | 3. Output mode |
|----------------------------|---------------|----------------|

2.3.3 Display for input channel



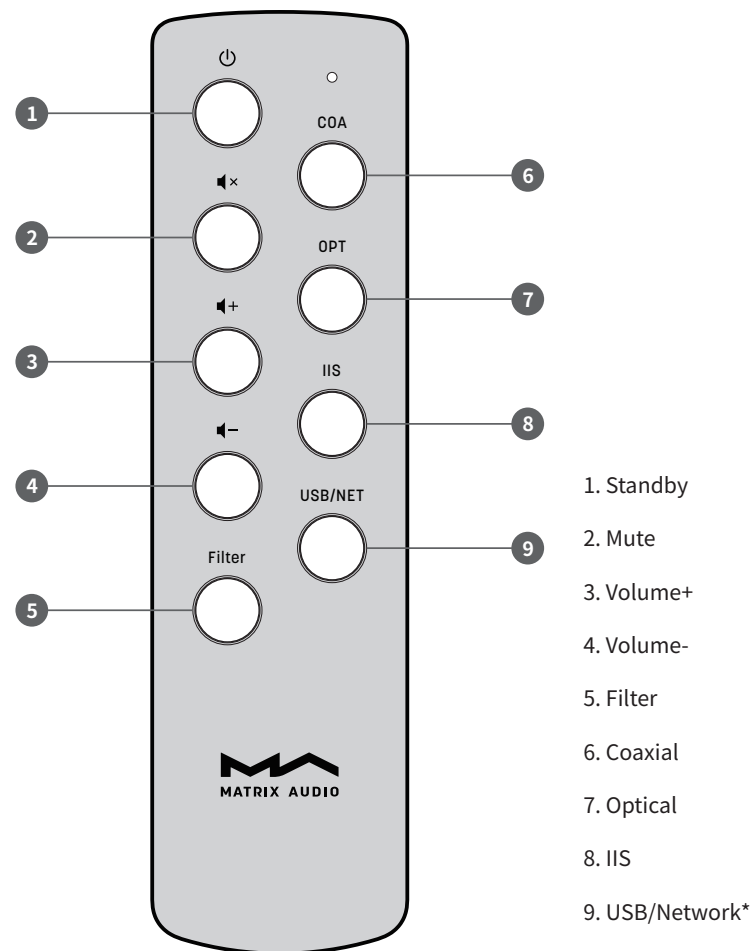
- 1. Input channel
- 2. Unselected

2.3.4 Display for output channel



- 1. Current output mode
- 2. Selected

2.4 Remote control



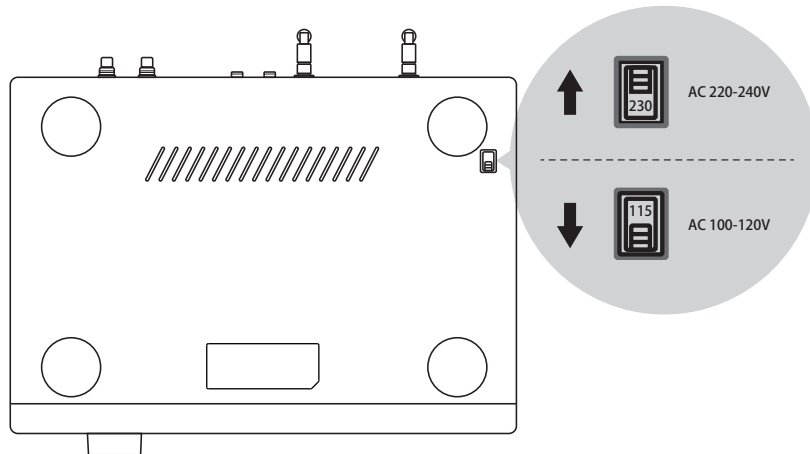
- 1. Standby
- 2. Mute
- 3. Volume+
- 4. Volume-
- 5. Filter
- 6. Coaxial
- 7. Optical
- 8. IIS
- 9. USB/Network*

*This button can switch input channels between USB and Network.

3. Connections

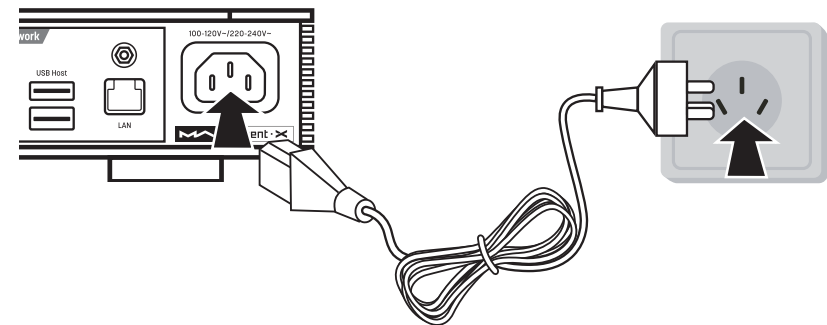
3.1 Connect to AC power

element X is compatible with AC100-120V and AC220-240V power specifications.
Please make sure to switch the bottom power voltage according to your local voltage environment before using. As shown:



Please use the right three-phase power cable which includes the ground terminal and ensure the ground is correctly connected, or you will have the possibility of electric shock when you touch it.

Please unplug the power cable, if you need the element X to be disconnected from the power.



The two sections of the voltage switch are 115V and 230V, each section for:

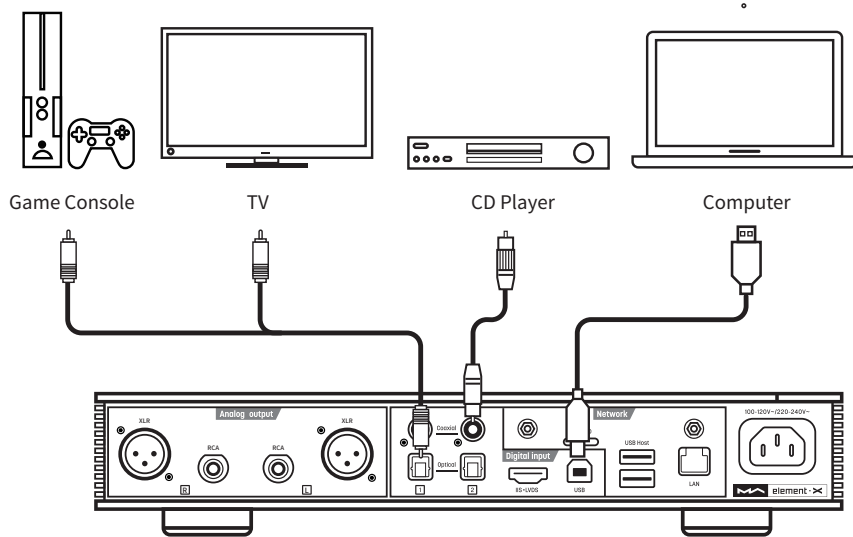
115V position is fit for AC100V-120V 50/60Hz

230V position is fit for AC220V-240V 50/60Hz

3.2 Connect to input source

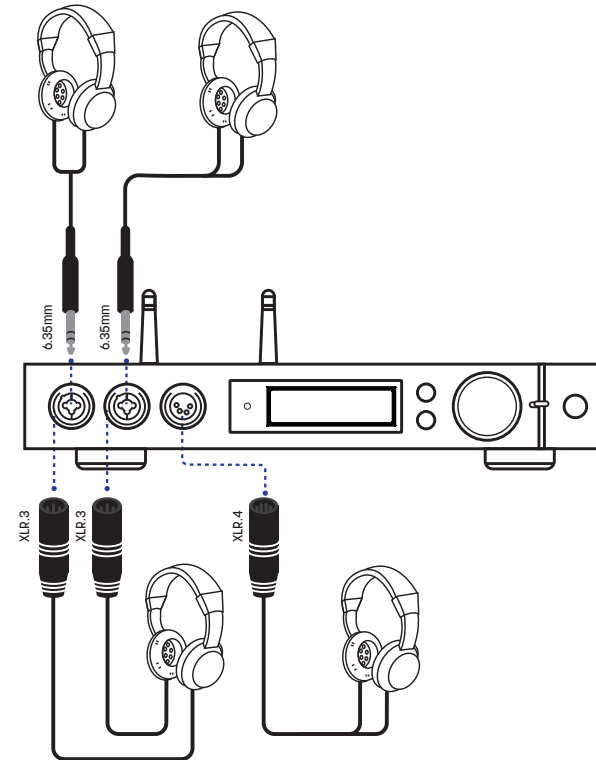
Connection for front-end devices including S/PDIF output signal through coaxial and optical port;

Connection for digital interface products of Matrix Audio through IIS prot.



3.3 Connect to headphone

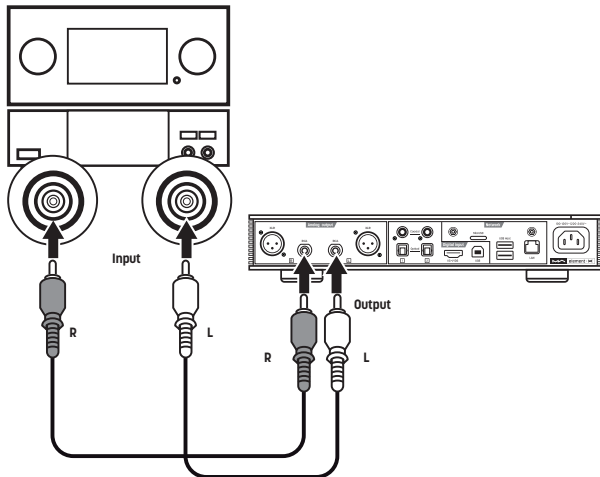
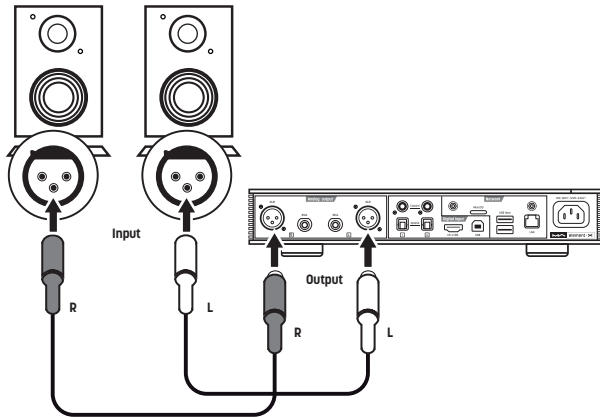
There are two headphone hybrid chassis jacks and one XLR balanced headphone jack. You can use three ways to connect to headphone:



It is advisable to connect with high-impedance headphone for the best sound effect. If it is connected to a low-impedance and high sensitivity headphone, in order to decrease the noise, it is advisable to set the gain of headphone AMP at 'LOW' and consider if an impedance cable is needed.

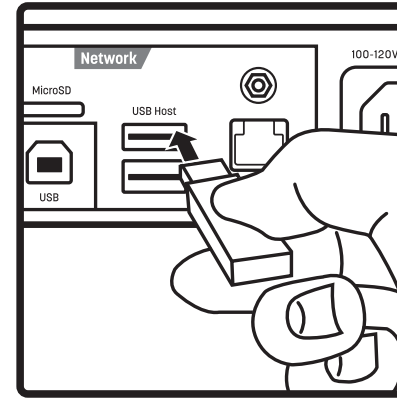
3.4 Connect to active speaker or AMP

In order to avoid damage to your devices, please turn off the active speakers or amplifiers before you connect them to element X.

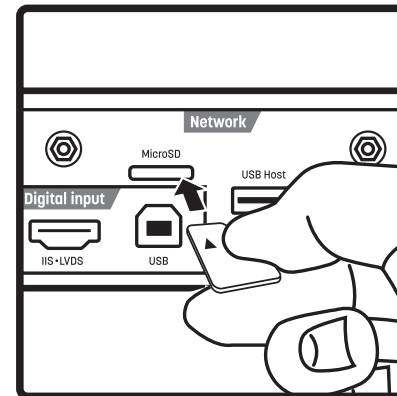


3.5 Connect to storage devices

There are two USB HOST ports on the rear panel to connect with standard mass storage USB devices.

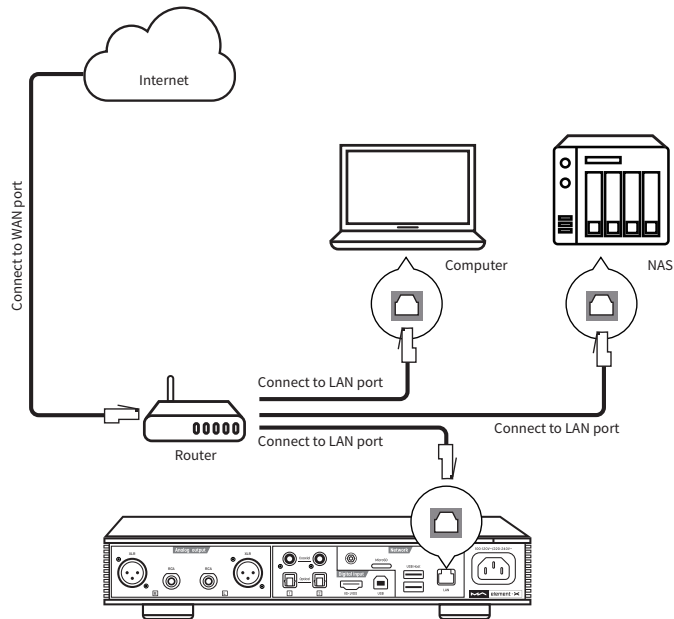


The MicroSD card support up to 128GB, push to install or popup the card.



3.6 Connect to LAN

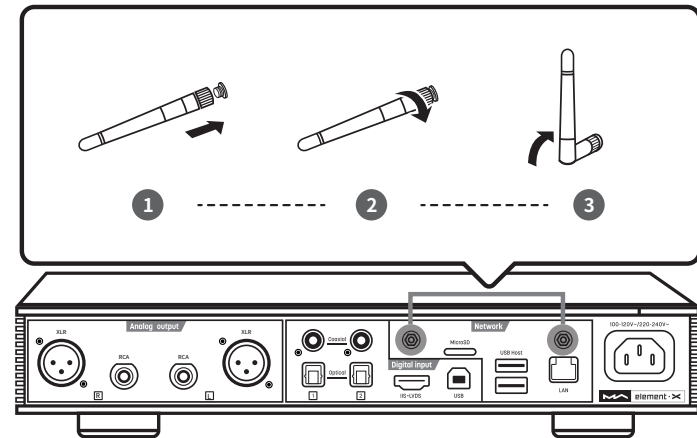
Connect to LAN, please use ethernet cable to connect element X with router (recommend using CAT-5 or higher version shield ethernet cable), and let element X in the status as shown below:



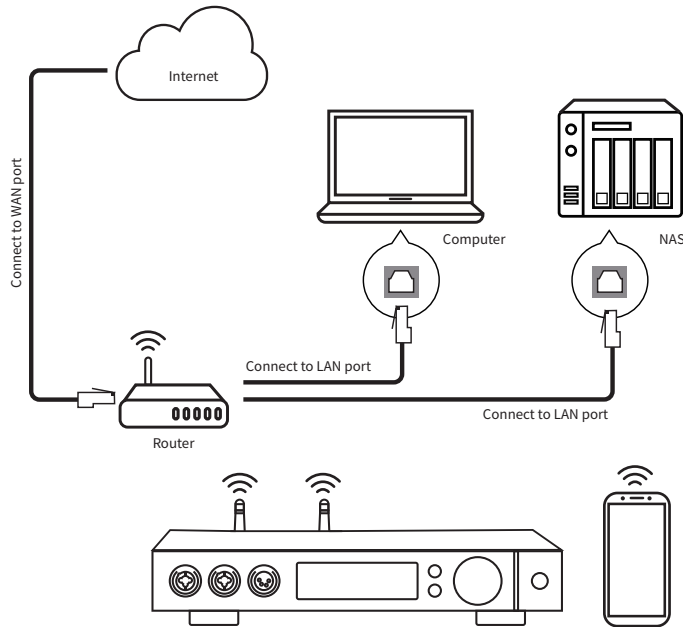
It is advisable to set up the router as DHCP server, and this function will allocate the device IP address in LAN automatically.

3.7 Connect to WLAN

3.7.1 Please make sure to properly install the two Wi-Fi antennas on the rear panel (insert the Wi-Fi antenna into the jack and tighten it clockwise). You can adjust the antenna angle to change the signal effect.



3.7.2 Let element X in the status as shown below:



3.7.3 Scan the QR code below to download MA Remote app for your iPhone, iPad and Android devices, and follow the configuration wizard in the app to connect element X to Wi-Fi and explore more exciting functionalities..



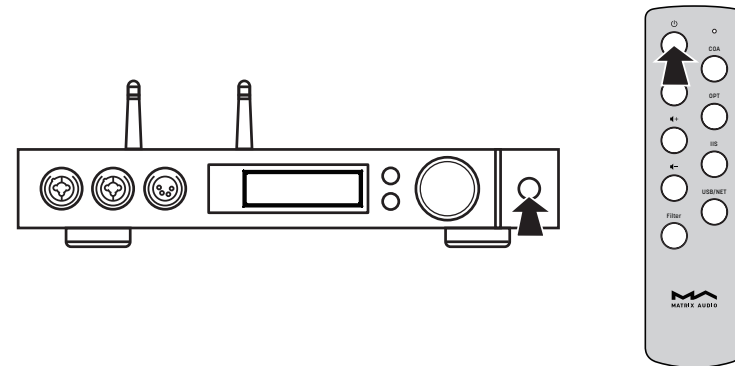
Download MA Remote

4. Play

4.1. Basic operation

4.1.1 Power on

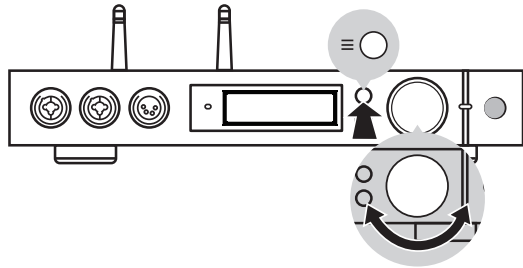
The LED indicator will turn to dimmed after element X is connected to power supply, indicating that it has entered the standby status, press the 'Standby' button on the unit body or remote control, element X will power on, and the LED indicator will turn to highlight white.



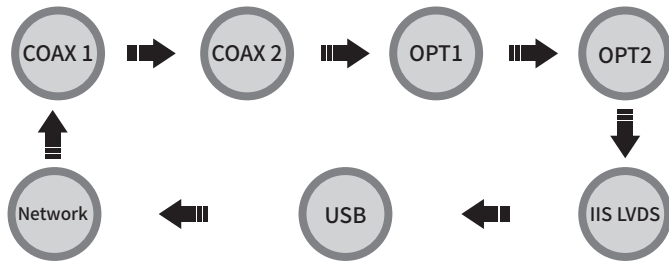
When the power is on, press the 'Standby' button on the front panel or IR Remote control to turn it into standby mode, and the LED indicator will turn to dimmed.

4.1.2 Select the input source

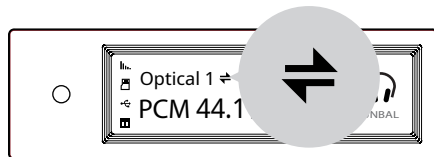
Repeat pressing the menu button '≡' and switch to input channel selection menu, then rotate the knob to select between auto, coaxial 1, coaxial 2, optical 1, optical 2, IIS LVDS, USB Audio and network, you can press the knob to confirm the selection.



Under 'Auto' mode, element X will automatically scan all digital input channels, the first connected input channel will be locked immediately. It will continue to scan other channels until the current channel signal is lost. When there are several input channels being connected, element X is always locking the signal which is detected at first. The order of input channel scanning is as shown,



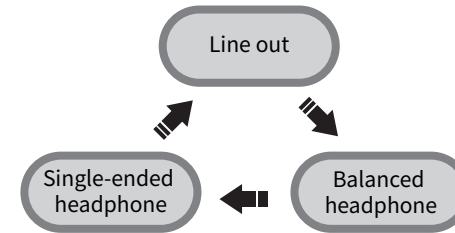
When selected 'Auto' channel and the input signal being locked, it will show the auto scan mark beside the of the channel name. As shown,



When using network related music source such as AirPlay, DLNA, ROON or MA player, please select Network input channel.

4.1.3 Select output channel

Repeat pressing the menu button '≡' and switch to output channel selection menu, you can select output channel between balanced headphone output, single-ended headphone output and line output, then push the button to confirm. The switching order is as follow,

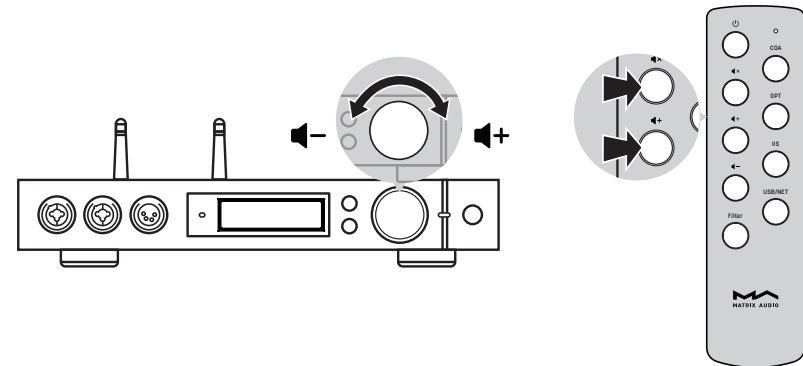


When single-ended headphone output is changed to balanced headphone output, in order to avoid being scared, the output volume will reduce 6dB to make the balanced headphone have the same volume as single-ended headphone.

4.1.4 Volume control

4.1.4.1 Volume adjustment

The volume can be adjusted by the knob or the ◀ and ▶ key on the remote control, and the screen will show the current volume level at the same time. Line output and headphone output have independent volume control level, also, the line output can be configured as fixed level output.

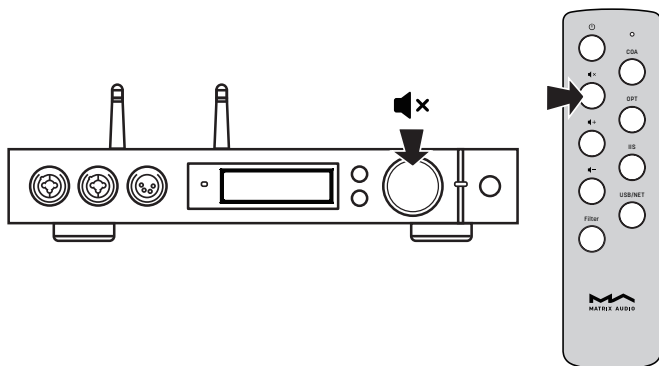


CAUTION

'Fixed output' means that the device outputs signal with maximum level at 0dB. Before selecting this mode, please make sure that your power amplifier or active speaker has been adjusted to a lower volume level. If the amplifier or speakers do not have volume control, DO NOT set up to 'Fixed output' mode, otherwise this operation may damage to your devices and harm to your ears.

4.1.4.2 Mute

In playback status, you can press the volume knob or 'Mute' on the remote control to activate mute; press the 'Mute' again or turn the volume knob to exit mute. There will be a mute icon on the screen when mute is activated.

**4.1.4.3 Hearing protection**

In order to protect your hearing and avoid damage by excessive volume, when the volume of a single-ended headphone is above -30dB and balanced headphone above -36dB, the volume of single-ended headphone will be recovered to -30dB and balanced headphone will be recovered to -36dB after reboot; if the volume is lower than -30dB or -36dB, it will return to the same volume as you set last time.

4.1.5 Gain control

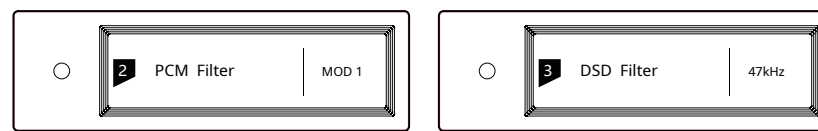
In order to accommodate different headphones, active speakers or power amplifiers, element X has a pre-amplifier function, if the maximum volume still cannot provide

enough volume, please enable the inner pre-amplifier in the setting menu to get +10dB gain. Please refer to the 1st option for line output pre-amplifier and the 4th option for headphone pre-amplifier (page 13-14).

4.1.6 Filter settings

When element X is playing PCM or DSD music, users can select the digital filters to get different sound performance. Users can switch on the 2nd option in the setting menu or add the Filter setting to shortcut key 'O' on 11th option to fast switch it (page 14-15). The current selected filter will display in the auxiliary information area on the screen, and the encoding mode of DSD audio is also displayed there.

When playing MQA files, the PCM filter will invalid.

**4.1.7 Auto sleep and wake up**

element X will enter sleep mode when the current selected digital channel has no input signal and no operation for more than 5 minutes.

The following operations can wake up element X from sleep status,

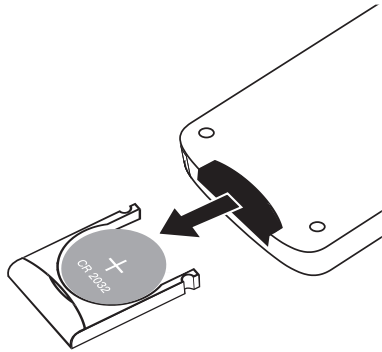
- Press the volume knob on the front panel of element X
- Press the 'Standby' button on element X or remote control
- Recover the input signal of the selected channel or recover signal of any digital channels under Auto Scan mode

When element X has stopped playing for more than 5 minutes on the Network input channel, and no operation for more than 5 minutes, it will enter sleep mode automatically, and will wake up by the following conditions:

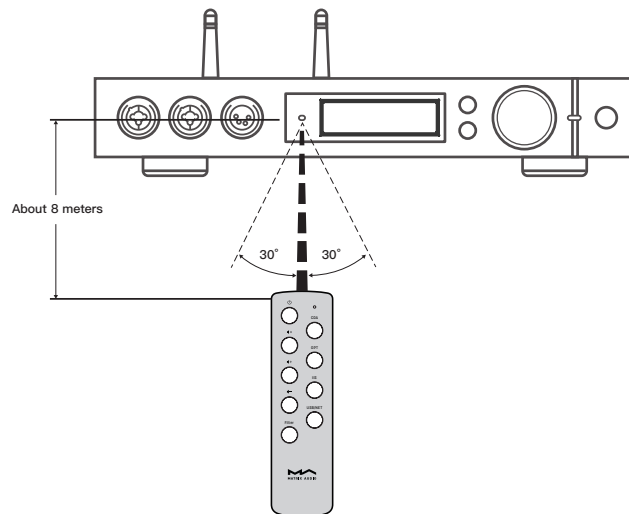
- Push music to element X through AirPlay or DLNA
- Play music through MA player
- Play music as a ROON endpoint

4.1.8 Remote control

Remote control uses a CR2032 button cell battery. Pull out the battery slot at the bottom to install battery and make sure to put in the right polarity.

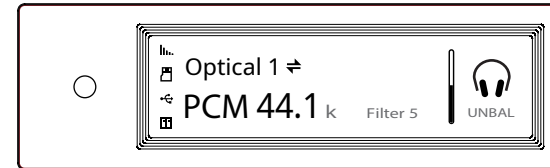


Please point the remote control to the remote sensor in the area in the following picture, the remote distance is about 8 meters and the battery life is about one year, please replace the battery if the remote distance becomes shorter or loses sensitivity.



4.2 Play music through optical, coaxial or IIS-LVDS port

When it is connected with front-end devices, which including S/PDIF output digital signal through coaxial and optical port or digital interface products of Matrix Audio through IIS port, the screen will show sampling rate and signal format of the selected input channel.

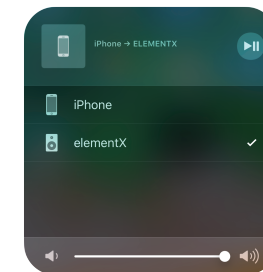


If the sampling rate and signal format on the screen is not displayed correctly, please check if the cable is correctly connected or the front-end device is outputting signal.

4.3 Play music through AirPlay or DLNA

After element X connected to LAN with the ethernet cable or wireless, users can push the music from your smart phone or other mobile devices to it through AirPlay or DLNA.

Connect the Wi-Fi of your iPhone or iPad to the same local area network as the element X, and click AirPlay to select element X as audio device, then choose and enjoy your favored music.



Connect the Android devices and element X through Wi-Fi under the same LAN, and open the APP including DLNA function, then play music and push it to element X.

The experience of using element X with an Android device is due to the compatibility of music APPs, not all the Android devices or music APPs have DLNA function.

4.4 Play music from USB storage devices\MicroSD Card\NAS

element X can play the music from USB storage devices\MicroSD Card\NAS through MA player. Download MA Remote APP to get more detail about user guide.

MA player can play kinds of lossless format audio files, as well as DSD music, it also includes MQA full decoder technology, we believe you will feel a new experience when enjoying music collections.

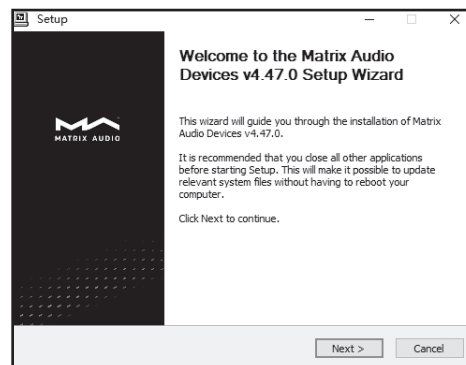
4.5 USB Audio

When the element X needs to be connected to computer as an USB DAC, please install driver for Windows 7/8/10 which can be found in Matrix official website, the URL of the download page is: <https://matrix-digi.com/en/downloads/>, the installation process as follow,

Install the Windows driver for element X

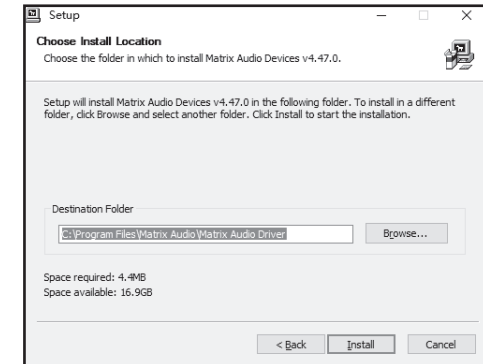
Step 1:

Double-click the driver installation file, and click 'Next'



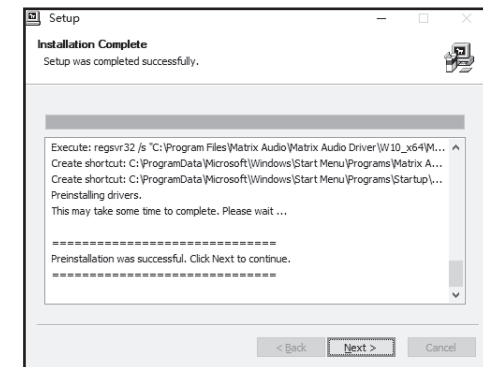
Step 2:

Please select the installation path and click 'Install'



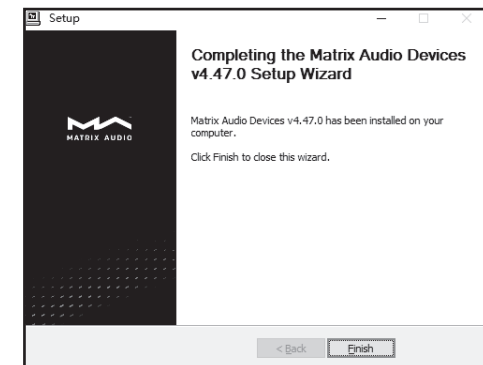
Step 3:

Installation is completed and click 'Next'



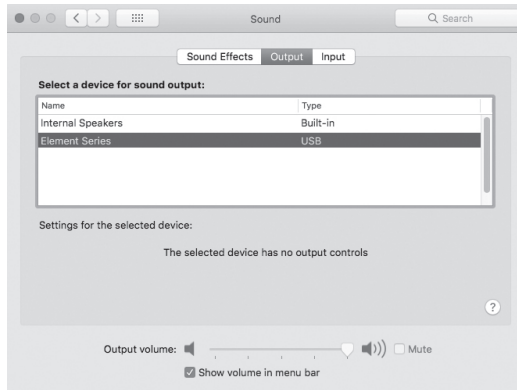
Step 4:

Click 'Finish', the driver installation is completed.



Use element X under Mac OS X

Mac OS X does not need a driver. Please select the audio device as 'element Series' in System Preferences.



Connect element X to mobile devices via USB port

Use Apple Lightning to USB Camera Kits to connect element X with iOS devices. element X can be connected to an Android device with Micro USB or Type-C USB port via the OTG cable, but it's not guaranteed to be compatible with all Android devices.

5. Settings

Repeat pressing the 'Menu' key to enter into configuration menu, then press the knob to enter configuration items.

As shown:



There are 15 items in the configuration menu as follow:

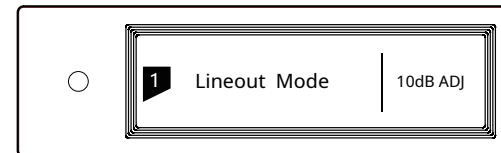
5.1 Lineout Mode

Lineout mode can be set as,

0dB Fixed: 0dB gain , fixed

0dB ADJ: 0dB gain, attenuation adjustable (Default)

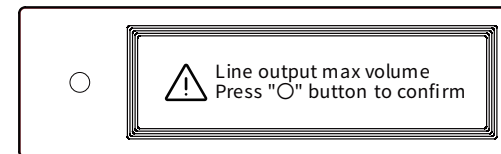
10dB ADJ: +10dB gain, attenuation adjustable



Connect to power amplifier including volume control, recommend to set as '0dB Fixed'

Connect to active speakers, recommend to set as '0dB ADJ'

Connect to active speakers which has lower volume gain, recommend to set as '+10dB ADJ'



In order to avoid misoperation, switching from 0dB ADJ or 10dB ADJ to 0dB Fixed requires a 2-step confirmation, press "O" button to confirm, other operations will cancel this setting.

Sweep	Trace	Line Style	Thick	Data	Axis	Comment
1	1	Solid	1	DSP Anlr.Level A	Left	mod1_fast roll-off,minimum ①
2	1	Solid	1	DSP Anlr.Level A	Left	mod2_slow roll-off,minimum ②
3	1	Solid	1	DSP Anlr.Level A	Left	mod3_fast roll-off,linear ③
4	1	Solid	1	DSP Anlr.Level A	Left	mod4_slow roll-off,linear ④
5	1	Solid	1	DSP Anlr.Level A	Left	mod5_brickwall ⑤
6	1	Solid	1	DSP Anlr.Level A	Left	mod6_hybrid ⑥
7	1	Solid	1	DSP Anlr.Level A	Left	mod7_apodizing ⑦

(Tested at 1kHz)



5.2 PCM Filters

7 Configurable digital filters with different frequency response curves, to set filters for different timbre

MOD1 fast roll-off, minimum phase filter (Default)

MOD2 slow roll-off, minimum phase filter

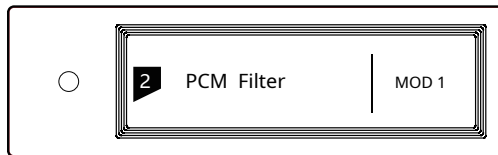
MOD3 fast roll-off, linear phase filter

MOD4 slow roll-off, linear phase filter

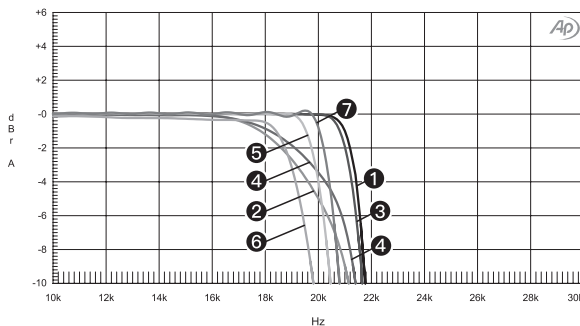
MOD5 brickwall filter

MOD6 hybrid, fast roll-off, minimum phase filter

MOD7 Apodizing, fast roll-off, linear phase filter

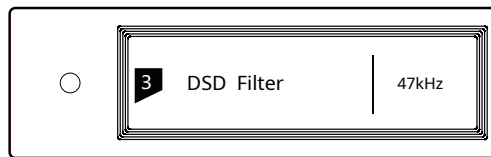


The frequency response curve of 7 different filters are as follow:



5.3 DSD Filters

Set the cut-off frequency of DSD digital filter
47kHz (Default), 50kHz, 60kHz, 70kHz, AUTO



Suggestion:

DSD64 - 47k, DSD128 - 50k, and so on. When this option sets to AUTO, the DSD filter will be selected automatically.

5.4 Headphone Gain

Set headphone amplifier gain

Low (Default)

High

Suggestion:

'Low' for low-impedence and low-power headphones.

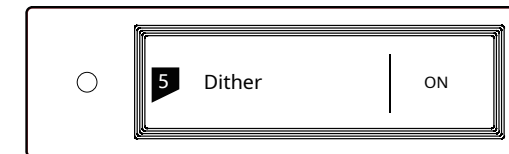
'High' for high-impedence and high-power headphones.

5.5 Dither

Configure to turn ON/OFF the dither function, it can effectively reduce the quantizing distortion.

ON (Default)

OFF

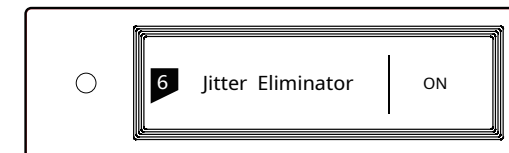


5.6 Jitter Eliminator

Set the internal time-base jitter elimination circuit for turn ON or OFF.

ON (Default)

OFF

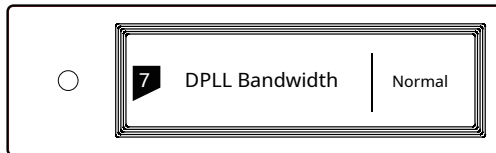


5.7 DPLL Bandwidth

Set the DPLL Bandwidth

Low: Low bandwidth High: High bandwidth

Normal: Standard bandwidth (Default)

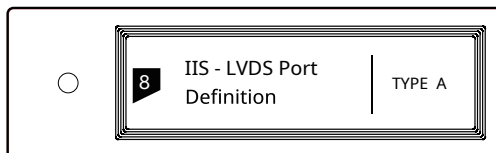


It's recommended to set the DPLL bandwidth to default, but when the quality of digital signal which output from front-end device is poor and the element X can not lock the signal stably, please select high bandwidth, The sound quality may be reduced in high bandwidth mode.

5.8 IIS-LVDS Port Definition

There are 4 kinds of IIS LVDS port definition provided, for detailed definition diagram, please refer to section 6.4 (page 17).

TYPE A (Default) TYPE B TYPE C TYPE D



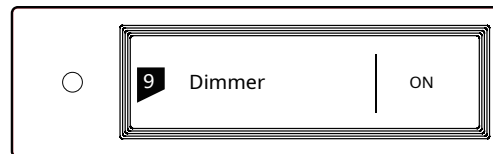
Please select 'TYPE A' when collocated with Matrix Audio products.

5.9 Dimmer

In order to avoid the interference from the LED indicator and the screen, element X can enter dimmer mode after no operation for 2 minutes, when this option is turned on. At dimmer mode, the LED indicator will reduce brightness and the screen will turn off. The screen can be activated by operating on the remote control or on the unit body. Turn off this option to prevent element X enter dimmer mode.

ON

OFF (Default)

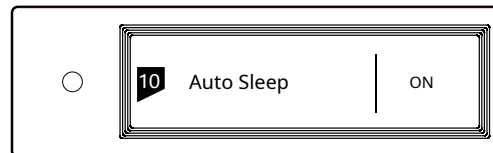


5.10 Auto Sleep

When there is no input signal from the selected channel and no operation for more than 5 minutes, element X will enter Sleep mode. element X will not enter 'Auto Sleep' mode when 'Auto Sleep' function is off.

ON

OFF (Default)



5.11 User defined button settings

Set the function of 'O' button on the front panel

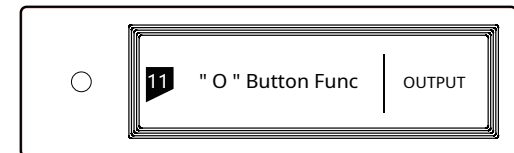
There are 4 actions available:

INPUT: Set 'Input Channel Select' as a shortcut, switch to next input channel by every pressing

OUTPUT: Set 'Output Channel Select' as a shortcut, switch to next output channel by every pressing (Default)

FILTER: Set 'Filter Select' as a shortcut, switch to next filter by every pressing

INFO: Set 'Product Info' as a shortcut to display hardware and software information of the unit

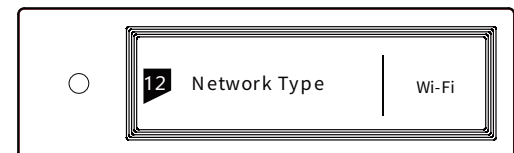


5.12 Network Type

Select network access method for element X, when you select the option LAN, Wi-Fi is disabled and vice versa if you select Wi-Fi, ethernet is disabled.

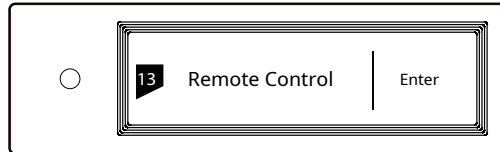
LAN: Wired network

Wi-Fi: Wireless network (Default)

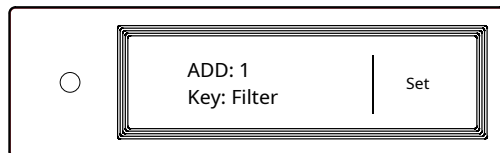


5.13 Remote Control

If there are more than 1 Matrix device in the same place, in order to prevent one remote control from controlling multiple device at the same time, element X has 5 built-in sets of remote control address codes, which can be switched under this option to achieve 'one-to-one' control between the remote control and the host.

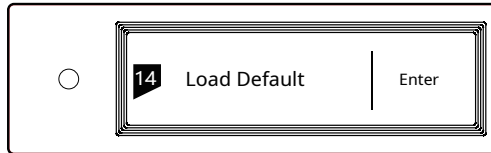


Press the knob to enter the remote control settings as shown below, at this time, you will see the current remote control address code on the screen, press the button on the remote control and the screen will display the corresponding name. Hold the Standby and Filter buttons on the remote control for 5 seconds at the same time, the screen will display a new address code, press the 2 buttons again within 5 seconds to switch to the next address code, repeat the operations above to select the address code, press '≡' or '○' to return to the menu page.



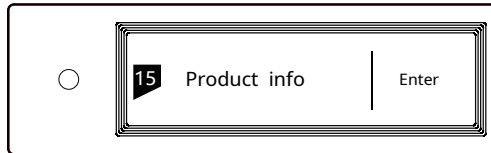
5.14 Load Default

Press the knob in this option, all the settings will return to default.



5.15 Product information

Push the knob under this option, the hardware and software information will shown on the screen.



6. Appendix

6.1 Audio file formats and sampling rate supported

MA player supports the following audio file formats:
MP3, WMA, WAV, AIF, AIFC, AIFF, AAC, FLAC, OGG, APE, ALAC, M4A, DSF, DFF

PCM sampling rate support up to:

PCM 16/24/32Bit 44.1kHz, 48kHz, 88.2kHz, 96kHz, 176.4kHz, 192kHz, 352.8kHz, 384kHz, 705.6kHz, 768kHz

DSD sampling rate support up to:

DSD 2.8 MHz, 5.6 MHz, 11.2 MHz, 22.4MHz

More audio file formats could be supported through future firmware updates.

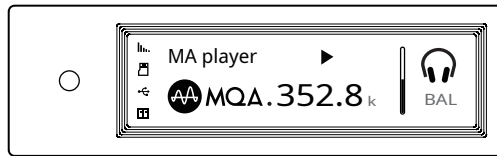
6.2 About MQA (Master Quality Authenticated)

MQA is an award-winning British technology that delivers the sound of the original master recording. The master MQA file is fully authenticated and is small enough to stream or download.

'MQA' or 'MQA.' indicates that the product is decoding and playing an MQA stream or file, and denotes provenance to ensure that the sound is identical to that of the source material.

'MQA.' indicates it is playing an MQA Studio file, which

has either been approved in the studio by the artist/producer or has been verified by the copyright owner. The MA player delivers the final unfold of the MQA file and displays the original sample rate of the file. The sampling rate for MQA encoded playback covers 44.1k-384kHz.



6.3 USB storage device requirements

- element X can use devices that comply with the USB mass storage standard, but cannot guarantee compatibility with all storage devices or memory cards.
- USB storage devices support FAT, FAT32, exFAT, NTFS formats.
- If the USB storage device is partitioned, each partition will be treated as a separated device.
- When using extension cable to connect a USB storage device may result in unstable connection.
- When using a USB hub to connect the USB storage device to element X, it may not work properly.
- The USB port of element X cannot supply more than 500 mA to the peripherals.
- If USB storage device comes with a power adapter, please connect power adapter to the storage device.

CAUTION:

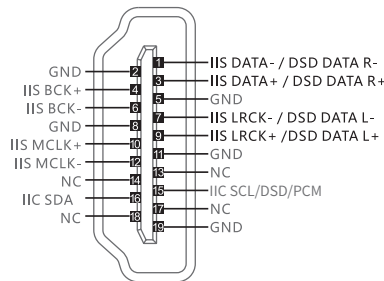
Matrix Audio is not responsible for data loss, modification, or failure to the USB storage devices. We strongly recommend you back up the data in the USB storage device before using it on element X.

6.4 IIS-LVDS Port

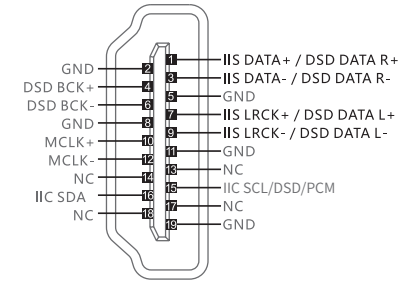
The IIS port of element X is a standard 19-pin HDMI connector. It uses four sets of LVDS differential signals to transmit IIS data. It supports up to 32Bit/768kHz PCM signal input and 1Bit/45.1MHz DSD signal input. The PCM format is the standard IIS format, the DSD format supports the original DSD format (Native DSD) and the DSD format of DoP encoding.

The IIS port of element X is compatible with TYPE A and TYPE B. These are 2 different interface definitions, which can be configured in the 8th setting option.

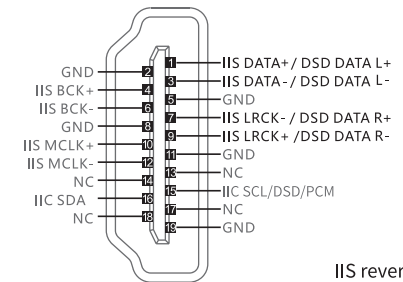
The port definition as shown below:



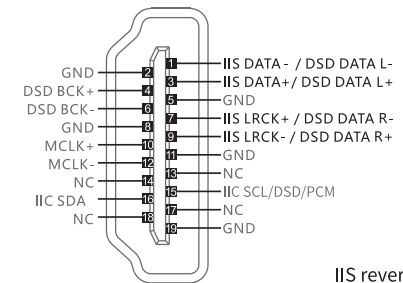
TYPE A:
IIS standard definition



TYPE B:
IIS reverse definition



TYPE C:
IIS reverse definition



TYPE D:
IIS reverse definition

6.5 Technical Specifications

Digital Input

COAXIAL & OPTICAL:

PCM 16-24Bit/44.1kHz, 48kHz, 88.2kHz, 96kHz,
176.4kHz, 192kHz

DSD DSD64(DoP)

IIS-LVDS:

PCM 16-32Bit /44.1kHz, 48kHz, 88.2kHz, 96kHz,
176.4kHz, 192kHz, 352.8kHz, 384kHz,
705.6kHz, 768kHz

DSD DSD64/128/256/(DoP)

DSD DSD64/128/256/512/1024(Native)

USB Audio:

PCM 16-24Bit /44.1kHz, 48kHz, 88.2kHz, 96kHz,
176.4kHz, 192kHz, 352.8kHz, 384kHz,
705.6kHz, 768kHz

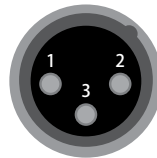
DSD DSD64/128/256(DoP)

DSD DSD64/128/256/512(Native)

Line Output

XLR

XLR Pin Definition:



1: GND
2: +
3: -

SNR: > -131dB

THD+N: < 0.00012%@1k, < 0.00025%@20Hz-20kHz

Frequency Response: 20Hz-20kHz \pm 0.05 -3dB@120kHz

Crosstalk: > -145dB

Amplitude: 4.5VRMS@0dB, 15.8VRMS@+10dB

RCA

SNR: > -124dB

THD+N: < 0.00012%@1k, < 0.00025%@20Hz-20kHz

Frequency Response: 20Hz-20kHz \pm 0.05 -3dB@105kHz

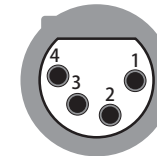
Channel Crosstalk: > -137dB

Amplitude: 2.3VRMS@0dB, 8VRMS@+10dB

Headphone Output

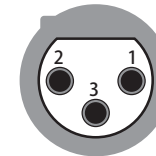
XLR4 and Dual XLR3

XLR4 Pin Definition:



1: L+
2: L-
3: R+
4: R-

Dual XLR3 Pin Definition:



1: GND
2: +
3: -

SNR: > -117dB

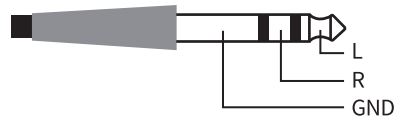
THD+N: < 0.00055%@20Hz-20kHz 1VRMS

Frequency Response: 20Hz-20kHz \pm 0.05 -3dB@50kHz

Output Impedance: < 1.5 Ω

Output Power: 1700mw@33 Ω , 1180mw@300 Ω ,
650mw@600 Ω (1%THD)

Gain: +18dB@Low Gain, +28dB@High Gain

TRS 6.35mm Definition:

SNR: > -112dB

THD+N: < 0.00055% @ 20Hz-20kHz 1VRMS

Frequency Response: 20Hz-20kHz ± 0.1 -3dB @ 50kHz

Output Impedance: < 1.5 Ω

Output Power: 1150mW @ 33 Ω , 308mW @ 300 Ω ,
152mW @ 600 Ω (1% THD)

Gain: +12dB @ Low Gain, +22dB @ High Gain

Network

LAN: 10BASE-T/100BASE-TX

WLAN: 2.4GHz/5GHz, IEEE 802.11 a/b/g/n/ac standard

USB Host

USB 2.0 High-Speed

Each port provides a maximum of 500mA current

Power Supply

Power Voltage:

230V position is fit for AC220V-240V 50/60Hz

115V position is fit for AC100V-120V 50/60Hz

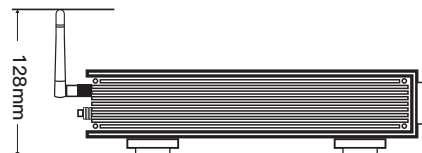
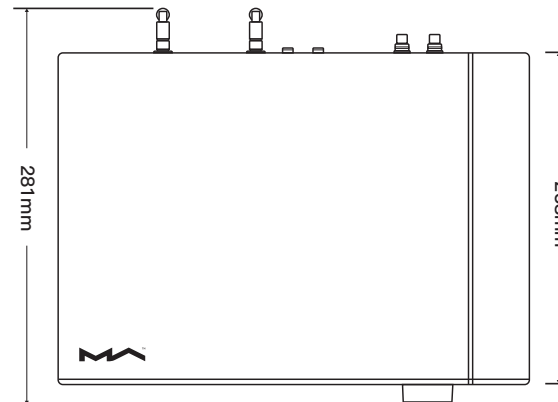
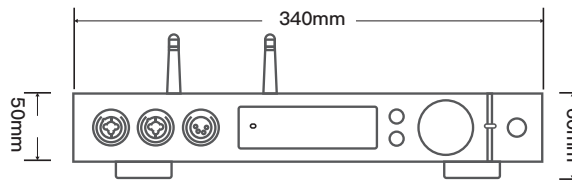
Standby Power Consumption: < 6W

Sleep Power Consumption: < 10W

Max Power Consumption: < 40W

Dimension

340×281×60mm (L×W×H, including the protruding part)

**Weight**

4.2kg

Precautions

- This product is for indoor use only.
- For full ventilation, it is recommended to reserve a space of larger than 5 cm around the device.
- Do not cover the air vents with stuffs such as papers, tablecloths, and curtains to obstruct ventilation.
- Do not place stuffs with flame, such as lighted candles, on the device. - If the device is used in tropical areas, please be careful to prevent insects from entering the machine through the air vents.
- The device must not be subject to water droplets or splashes. Please do not place stuffs filled with liquids such as vases and cups on or near the device.
- Do not put stuffs around the device power plug and the AC power socket, in order to disconnect the power supply easily when needed.

For improvement purpose, specifications subject to changes without prior notice.

The product with Hi-Res Audio logo is conformed to High-Resolution Audio standard defined by Japan Audio Society. This logo is used under license from Japan Audio Society.

The MQA logo is a trade mark of MQA Limited. © MQA Limited 2020.

Being Roon Ready means that Matrix network players transparently discover and connect to Roon without any configuration, and bit-perfect audio is delivered from Roon to your network player.