

Studio Six

Reference Headphone Amplifier

Owner's Manual



Serial Number # _____

Purchase Date _____

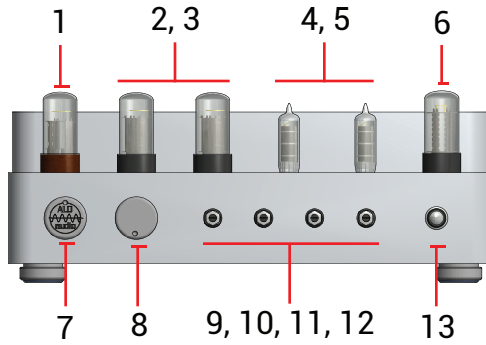
Thank You!

Your decision to purchase this Studio Six headphone amplifier puts you in the top tier of discriminating personal audio listeners. Our dedication to the highest levels of performance and build quality will assure you have many years of enjoyment from this amplifier.

Please take a moment to review the manual and the safety instructions. Becoming familiar with them will allow you to enjoy your amplifier to the fullest.

-ALO audio

FRONT VIEW



VACUUM TUBES

- 1 - 6SN7 (Input)
- 2 - 6V6 (Output)
- 3 - 6V6 (Output)
- 4 - OB2 (Gas Regulator)
- 5 - OB2 (Gas Regulator)
- 6 - 5AR4 (Rectifier)

INPUT SELECTOR

- 7 Position 1 = ●
- Position 2 = ●●
- Position 3 = ●●●
- Mute = ⊗

VOLUME CONTROL

- 8 - Rotate to adjust listening volume.

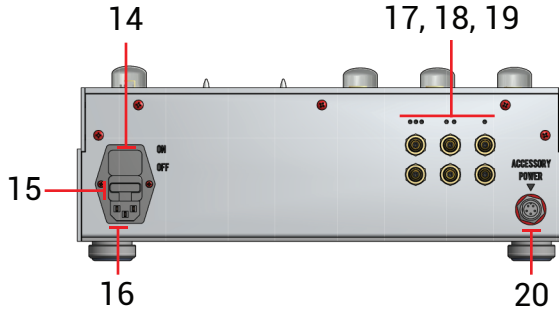
HEADPHONE OUTPUTS

- 9 - Output 1 - 1/4 Stereo
- 10 - Output 2 - 1/4 Stereo
- 11 - Output 3 - 1/4 Stereo
- 12 - Output 4 - 1/4 Stereo

POWER INDICATOR LIGHT

- 13 - Illuminated Power Indicator Light

BACK VIEW



POWER

14 - On/Off

15 - Fuse

16 - IEC AC Power Connection

ANALOG RCA INPUTS

17 - Input 3

18 - Input 2

19 - Input 1

ACCESSORY POWER CONNECTION

20 - Power Connector (5-Pin)
for ALO audio Accessory

--Caution-High Voltage!--

Operation Guide

To

Do This

INSERT VACUUM TUBES

Locate the proper vacuum tube socket for the corresponding vacuum tube or compatible vacuum tube. Vacuum tube locations are indicated by markings located above the tube socket. For a detailed layout of the vacuum tubes, please refer to the diagram of the front of the amplifier, found on page 6.

CONNECT ANALOG INPUTS

Insert Left and Right channel RCA plugs into the corresponding inputs located on the back of the unit. RCA inputs are vertically oriented with the Right channel positioned above the Left channel on any particular input. The Right channel is also indicated by a red ring around the corresponding RCA jack. There are 3 analog inputs on the Studio Six.

CONNECT POWER

Insert the correct power cable for your region into the IEC located on the back of the unit. Safely connect the power cable to the wall receptacle. Remember, the amplifier has been specially tailored to the voltage in your region during our build to optimize the performance of the amplifier. Please be aware of this for purposes of travel, gifting or sale.

TURN UNIT ON

Flip the power switch located on the back of the unit upward, toward the 'On' position. The indicator light on the front of the amplifier will glow in a few seconds once the amplifier has received power.

SELECT INPUT

The Selector switch is located on the front panel of the amplifier and is machined with the ALO audio logo. It is a four position switch that toggles between the 3 analog inputs and a fourth position, that mutes the output of the amplifier. By using the face of a clock as a model, the first input is located at the 11 o'clock position, the second input is located at the 12 o'clock position, the third input is located at the 1 o'clock position and mute is located at the 2 o'clock position.

CONNECT HEADPHONES

Insert the ¼" Stereo plug from the headphone cable into any of the four ¼" headphone jacks located on the front panel of the amplifier.

ADJUST VOLUME

Rotate the volume knob clockwise to increase listening volume. The volume knob is located on the front panel of the amplifier to the right of the selector knob.

Safety Instructions



PLEASE CAREFULLY REVIEW ALL OF THESE SAFETY INTRUCTIONS AND PRODUCT WARNINGS PRIOR TO USE.



PLEASE LISTEN TO YOUR MUSIC AT A REASONABLE SOUND LEVEL. YOU WANT TO ENJOY YOUR MUSIC FOR A LONG TIME. LISTENING AT LOUD LEVELS FOR LONG PERIODS OF TIME HAS THE POTENTIAL TO DAMAGE YOUR HEARING.



CAUTION: PRODUCT CONTAINS 'DANGEROUS VOLTAGE' WITHIN THE PRODUCT'S ENCLOSURE THAT MAYBE OF SUFFICIENT MAGNITUDE TO CONSTITUTE A RISK OF ELECTRIC SHOCK TO PERSONS.



TO PREVENT THE RISK OF ELECTRIC SHOCK, DO NOT REMOVE COVER OR BACK. NO USER SERVICEABLE PARTS INSIDE.



WARNING-TO REDUCE THE RISK OF FIRE OR ELECTRICAL SHOCK, DO NOT EXPOSE THIS EQUIPMENT TO RAIN OR MOISTURE.



NO USER-SERVICEABLE PARTS INSIDE. REFER SERVICING TO QUALIFIED PERSONNEL.



DO NOT TOUCH THE VACUUM TUBES, TUBE SOCKETS, ACCESSORY POWER CONNECTOR DURING THE NORMAL OPERATION OF THE AMPLIFIER.

Technical Assistance & Support:

Have a question about your Studio Six and it's proper operation? Feel free to contact your authorized ALO audio dealer or contact us directly: ALO audio, 2400 SE Ankey St., Portland, Oregon USA 97214
Support@ALOaudio.com - (971) 279-4357

www.ALOaudio.com