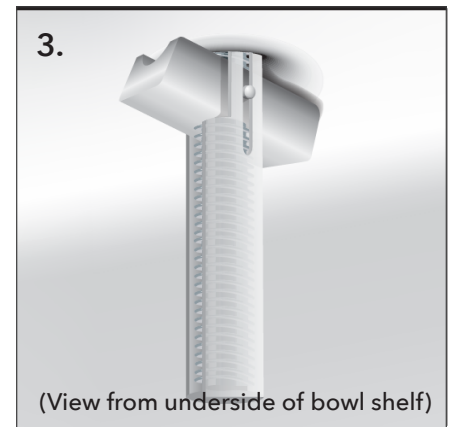
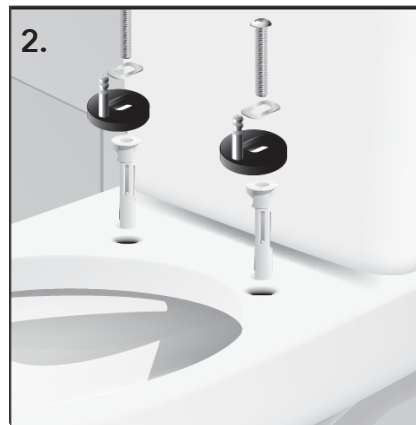
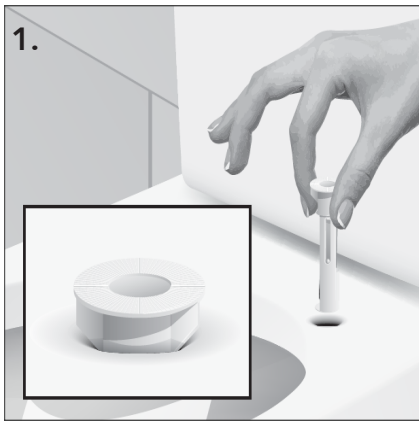


Top Mount Toggle Installation Instructions

Tools Required: Large Phillips Head Screwdriver 

Note: For all Bath Royale toilets seats (use mounting bases included with your seat). Fits all industry standard 5/8" diameter mounting holes.*



1. Remove screws and insert toggles into mounting holes. (OK if toggles do not lie flat.)
2. Place mounting bases and rectangle washers (if included) over the toggles and insert screws.
3. Turn screws repeatedly, until toggles and mounting bases lay flat. Then back off (loosen) screws, so mounting bases can be adjusted.
4. Attach seat by aligning holes in seat with mounting posts and lowering the seat onto posts
NOTE: Be sure posts are completely inserted into seat. Close seat and lid.
5. Adjust seat. Lift back of seat to unstick the mounting bases (if needed), then move seat and mounting bases together. TIP: Allow seat to overhang the front of the bowl slightly, so users can lift the seat more easily, with-out touching the bowl .
6. Tighten screws very firmly.
7. Finish installation using the instructions and tips included with your Bath Royale toilet seat.

* Some Kohler toilets have smaller holes and require Kohler's proprietary K-85040 anchor nuts. If replacing an existing seat, your Kohler toilet may have these nuts already in place. If they are in good condition (not loose or corroded), reuse them with screws included with your Bath Royale seat.