



BATH ROYALE

INSTALLATION INSTRUCTIONS

Thank you for selecting Bath Royale, the benchmark of quality and function.

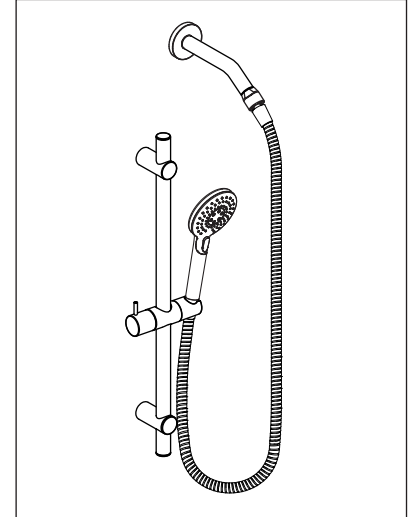
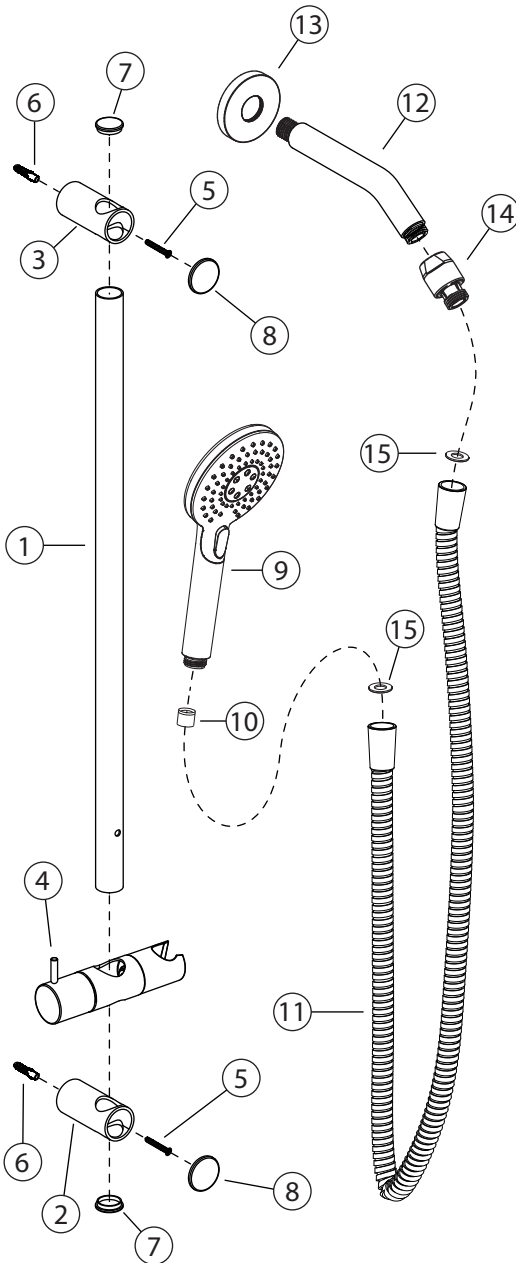
To ensure that your installation proceeds smoothly, please read these instructions carefully before you begin.

MB0419 SHOWER KIT



COMPLIES WITH:

- IPC / IRC / UPC
- EPA WaterSense®
- ASME A112.18.1 / CSA B125.1



Recommended tools and materials



Teflon Tape



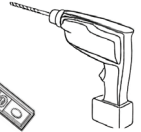
Tape Measure



Screwdriver



Level



Drill

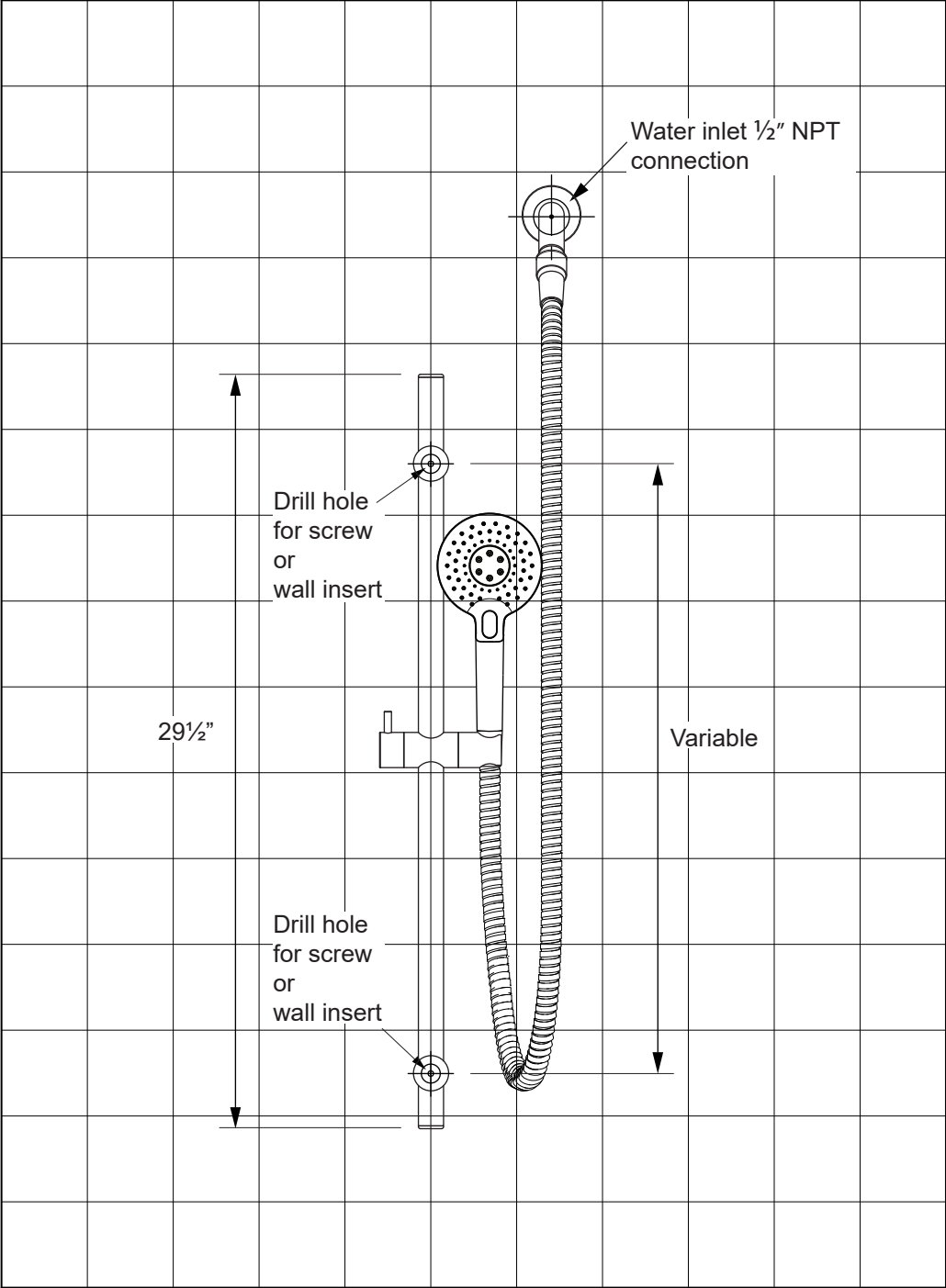
No.	Part name	Qty.
1	Slide Bar	1
2	Wall Fixation Bracket (Fixed)	1
3	Wall Fixation Bracket (Floating)	1
4	Handspray Holder	1
5	Wall Bracket Fixation Screws	2
6	Wall Inserts (if need)	2
7	End Cap For Slide Bar	2
8	End Cap For Wall Fixation Bracket	2
9	Hand Shower	1
10	Combined Flow Regulator / Check Valve 1.75 GPM	1
11	Shower Hose 1.5M	1
12	Shower Arm	1
13	Wall Flange	1
14	Vacuum Breaker	1
15	Sealing Washer	2

IMPORTANT: Make sure your water supply line is fully flushed before installation of this product.

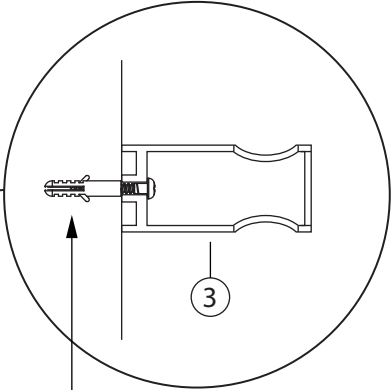
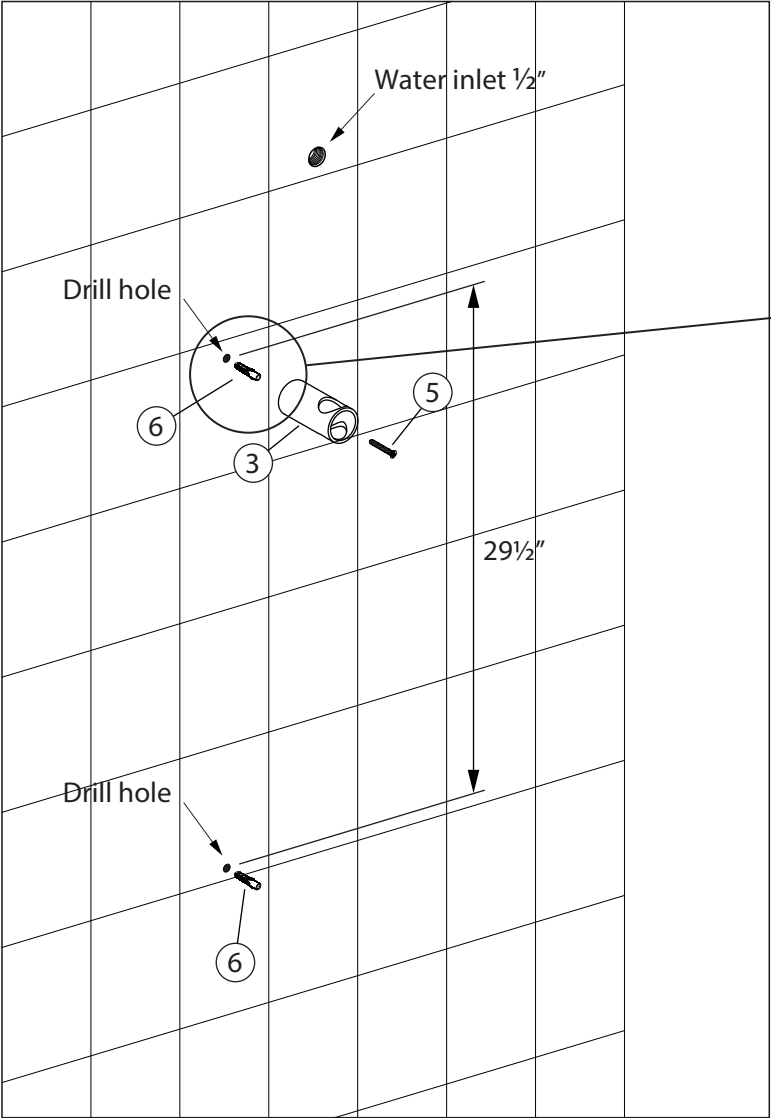
FINISHES

CP (Chrome Plated) MB (Matt Black) BN (Brushed Nickel) BG (Brushed Gold)

Roughing - In Dimensions



Step 1



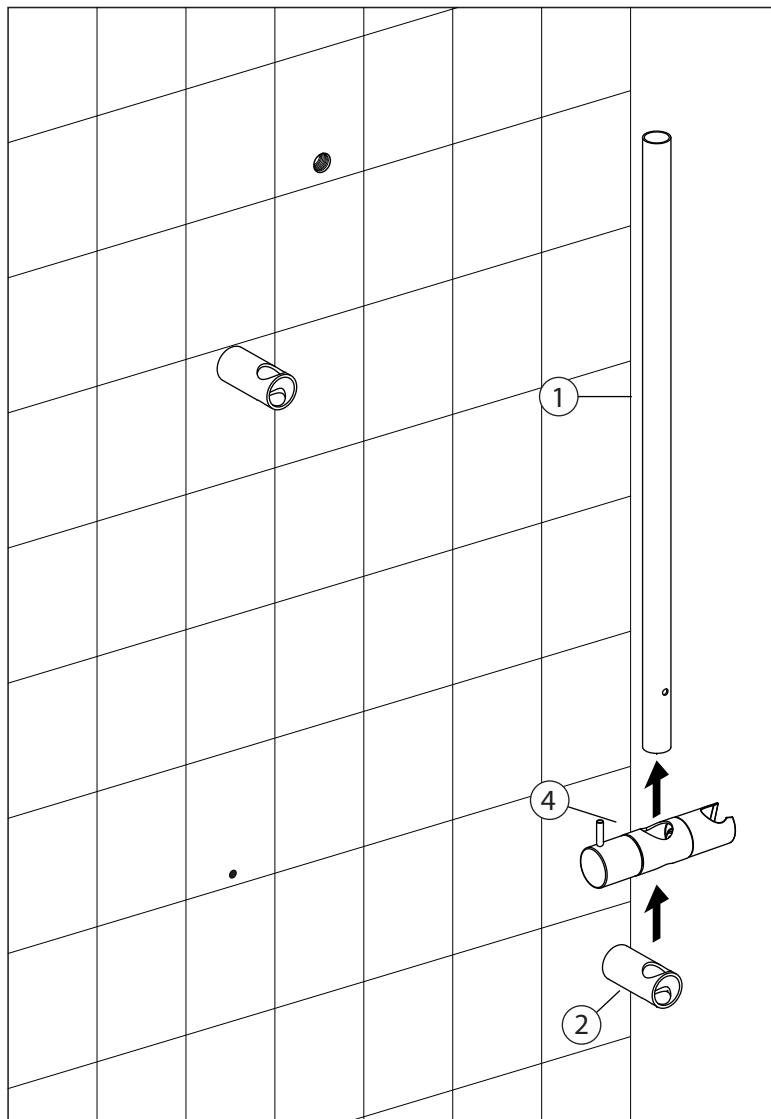
Use wall insert (6) for hollow wall applications.

If the screw is installed in a stud, the wall insert (6) is not required.

For Slide Bar :
Fasten wall bracket (3) to wall with screw (5).

Step 2

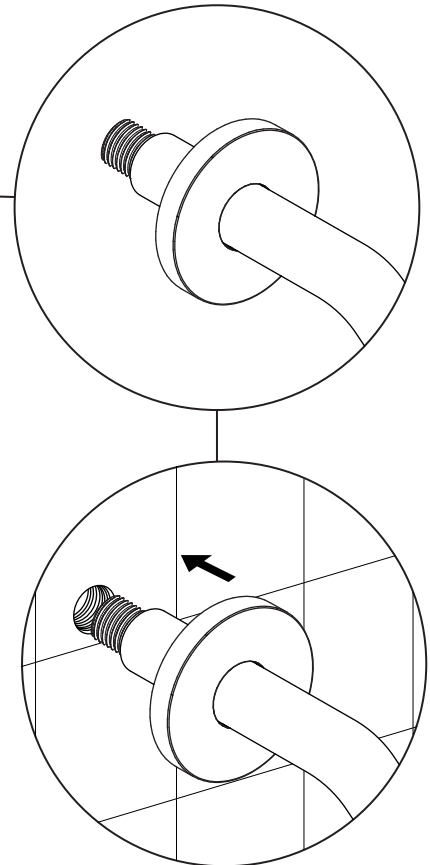
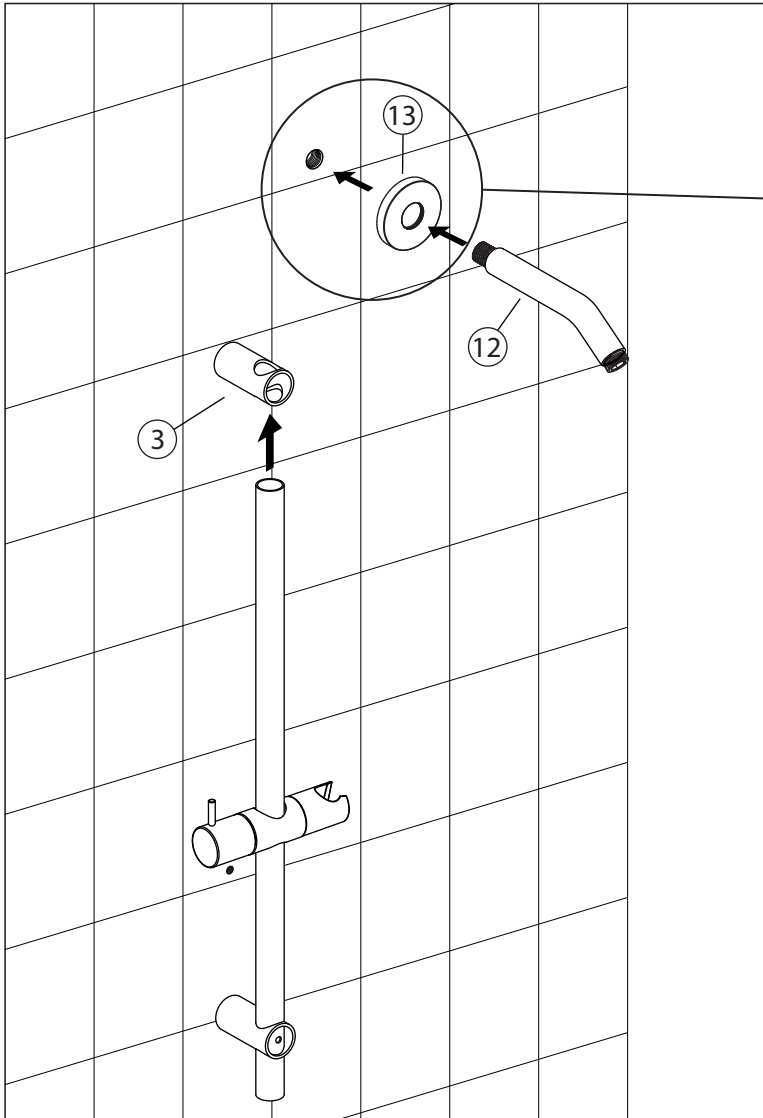
Remove the old shower head, shower arm and flange from the wall.



For Slide Bar :

Insert hand-spray holder (4) and wall fixation bracket (fixed) (2) to slide bar (1).

Step 3

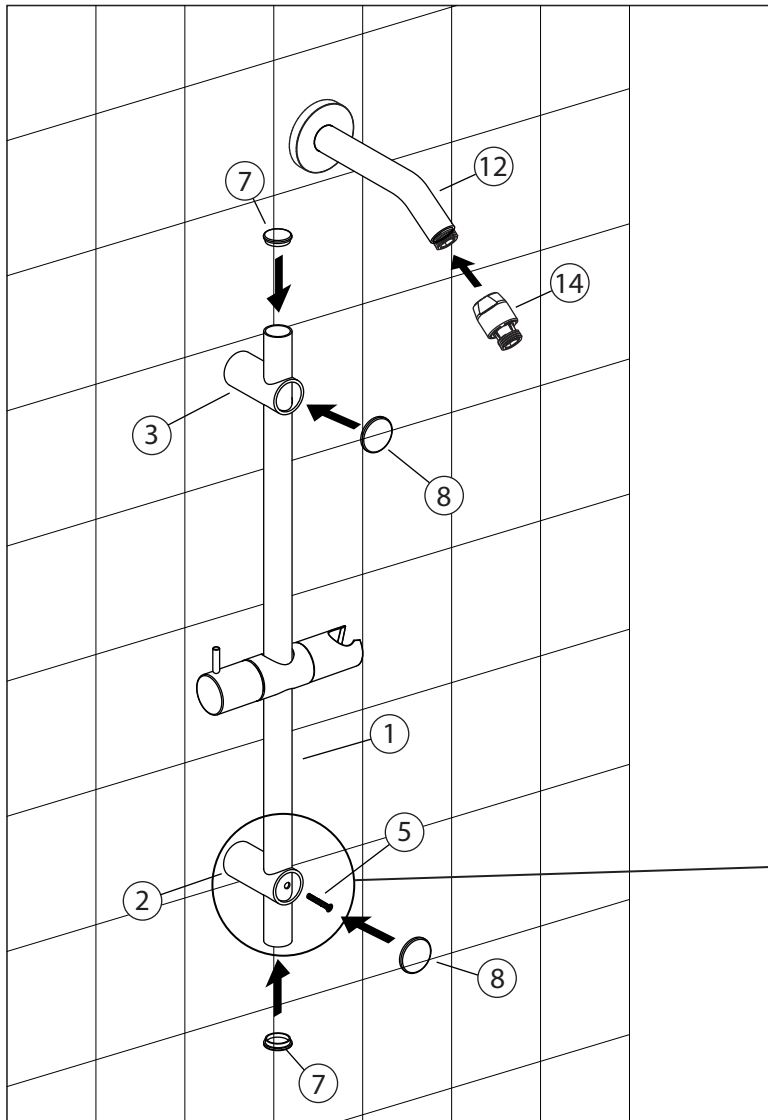


For Slide Bar :
Insert the assembled slide bar into the wall bracket (3).

For Water Supply :

- Insert wall flange (13) onto the shower arm (12).
- Apply sealant or teflon tape to threads of shower arm (12).
- Thread shower arm (12) into the ½" NPT wall supply outlet.
Tighten for water tight connection.
- Orientate the shower arm (12) looking down.
- Slide the wall flange (13) back to the finished wall surface.

Step 4

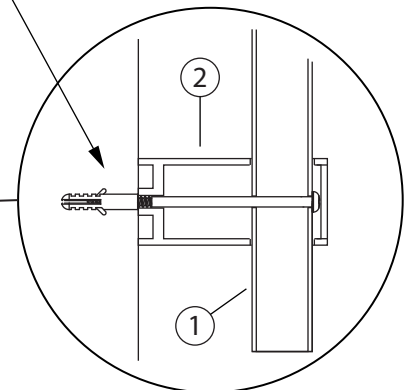


Vacuum Breaker Installation :

- Apply sealant or teflon tape to the shower arm threads (12).
- Thread the vacuum breaker (14) onto the shower arm (12).

Use wall insert for hollow wall applications and drill 1/4" diameter hole.

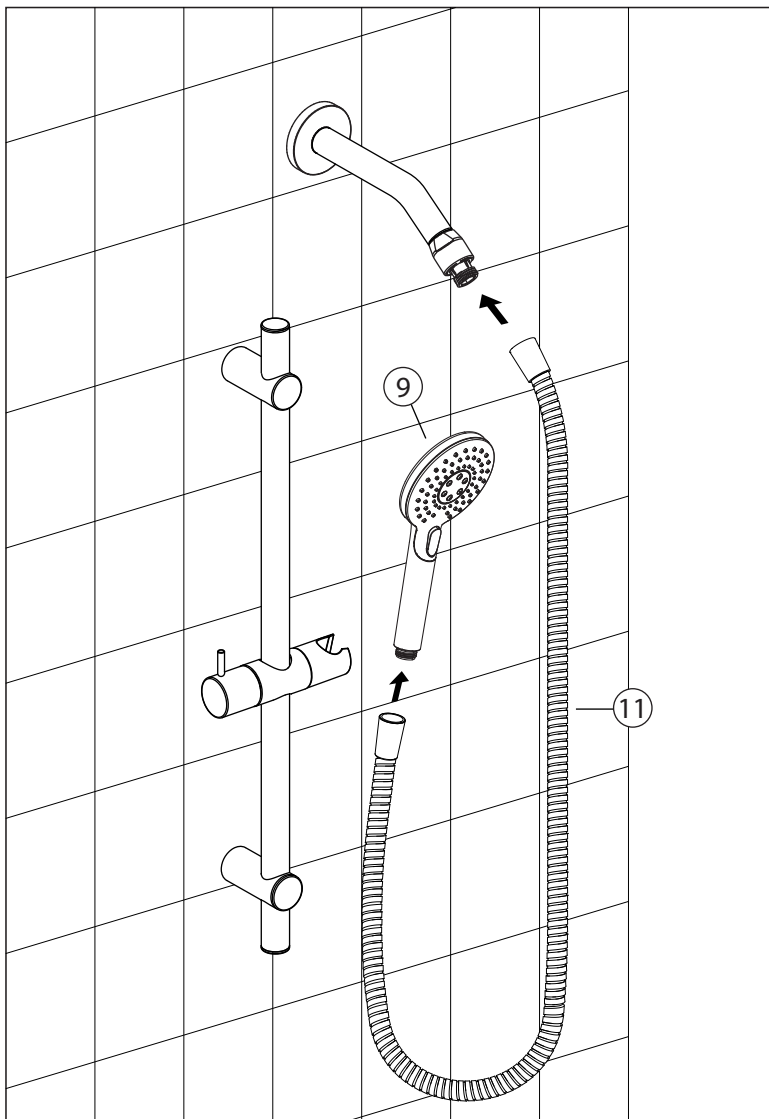
If the screw is installed in a stud, the wall insert is not needed.



For Slide Bar :

Fasten the slide bar and wall fixation bracket (fixed) (2) with screw (5).
Fit the end caps (7) into the slide bar (1) and end caps (8) to the wall brackets (2 & 3).

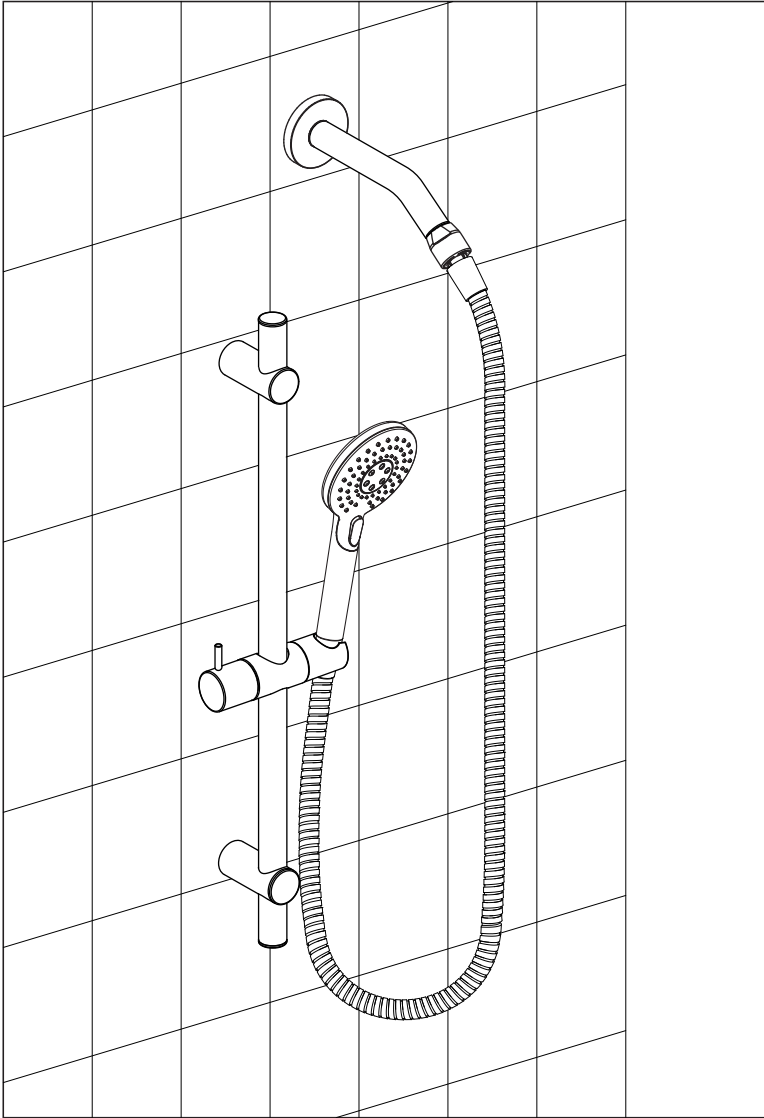
Step 5



Assemble shower hose (11) and hand shower (9) to complete installation.

NOTE: NO NEED TO APPLY SEALANT OR TEFLON TAPE TO THREADS.

Step 6



Turn water on to test shower system for functionality and check for any leaks.