



BATH ROYALE

INSTALLATION INSTRUCTIONS

Models: BR720 Round / BR721 Elongated

Kingsport Family Toilet Seat with
Slow Close & Quick Release

Visit us at: BathRoyale.com

Care & Cleaning

Do Not clean your seat the same way as your toilet. Our seats are a solid color throughout and will not chip, peel or fade, and will last for years, with proper care and cleaning. Clean your seat using a soft cloth and mild dishwashing liquid diluted with water. Diluted multi-surface cleaners (Mr. Clean®, Pine-Sol®, etc.) or chlorine-free disinfecting wipes (Lysol®, Clorox®, etc.) can be used. Rinse your seat with a damp cloth and dry with a soft towel.



IMPORTANT



- **Do Not** use brushes, scouring pads or abrasive cleaners (Comet®, Soft Scrub®, Scrubbing Bubbles®, etc.) which can scratch or dull the surface.
- **Do Not** use aerosols, acid, rubbing alcohol, harsh chemicals or cleaners containing chlorine. Do not mix cleaning chemicals.
- **Do Not** submerge the seat in water.
- **Do Not** spray or saturate the mounting bases or hinges. Doing so may cause the mounting bases to slip and your seat to slide out of position. If using a pump spray, spray the cloth, then wipe.




BATH ROYALE
LUXURY BATHROOM ACCESSORIES


Mark Hillman
President

2-YEAR LIMITED WARRANTY

Bath Royale® toilet seats purchased from authorized Bath Royale sellers are warranted to the original consumer purchaser to be free from defects in materials and workmanship for a period of 2 years from date of purchase. This warranty is not transferrable and applies to residential installations only.

Bath Royale will provide free of charge, parts or product to replace those found to be defective in normal use. If product is no longer available, Bath Royale may provide a comparable product or elect to refund the purchase price in exchange for the return of the product. Proof of purchase (original sales receipt) must be available for all warranty claims.

This warranty does not cover toilet seats modified or installed on or with anything other than conventional toilets. Damage or loss due to accident, misuse, negligence, improper installation, care and cleaning are excluded from this warranty. This warranty does not cover labor charges incurred and/or damage sustained in installation, repair or replacement, nor incidental or consequential damages.

This warranty gives the original consumer purchaser specific legal rights which may vary from state to state. This warranty is exclusively in lieu of all other warranties, including any implied warranties of merchantability or fitness for a particular purpose.

Questions? Please visit bathroyale.com

© All Rights Reserved

Bath Royale® by Marcobelle Company LLC, 99 Jackson Street #912, Davidson, NC 20836
bathroyale.com

Rev.08032022

Installation Instructions

Tools Required:
Phillips Head Screwdriver
Tape Measure or Ruler



Models: BR720 Round / BR721 Elongated
Kingsport Family Toilet Seat with
Slow Close & Quick Release

Installation is not difficult, but it is VERY DIFFERENT from other seats. Please follow these instructions step-by-step. (Video available at BathRoyale.com).

MISSING PARTS? Please do not return your seat. Call (704) 589-1009 or email info@BathRoyale.com for replacement parts.

Parts List



———— Toilet seat with lid (1)
Note: Seat must be installed for Slow Close to work.



———— Child seat (1)



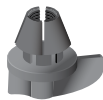
———— Mounting base covers (2)
Note: Stainless steel covers are available at BathRoyale.com



———— Stainless steel screws (2)



———— Stainless steel mounting bases with post and silicone rubber seal on bottom (2)



———— Gray split wing nuts (2)
Note: **DO NOT** turn wing nuts (see page 4)



———— C-ring clips (2)
Note: For use after child seat is removed

NOTE: Toilet bowls without access to nuts under seat require top mount anchors sold separately at BathRoyale.com

Installation Instructions

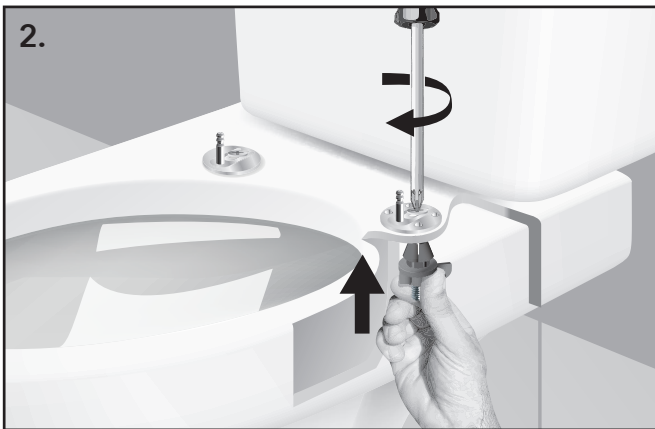
Important: Mounting surface of toilet must be flat, clean and dry with no chemical residue. To prepare mounting surface, we recommend using Windex® (or any glass cleaner) around the mounting holes of the toilet to get the mounting surface squeaky clean.



1. Install mounting bases on toilet bowl.

- Place mounting bases over holes with posts facing the front of the bowl.
- Insert screws through the mounting bases and holes in the toilet.

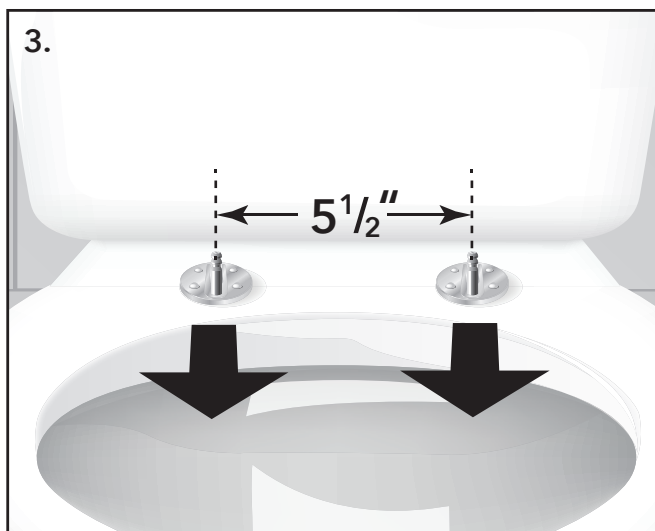
Tip: Mounting bases rotate 360 degrees allowing seat to be adjusted and fit non-standard hole spacings (4 ½ to 6 ½ inches).



2. Install wing nuts.

Thread wing nut **all the way up the screw** by turning the screw (**do not turn wing nut**).

Tip: Do not completely tighten. The mounting bases must be able to move so the seat can be attached (Step 4) and adjusted (Step 6).



3. Rotate mounting bases so the posts are closest to the front of the bowl (not tank).

Using a tape measure or ruler, adjust the mounting bases so the posts are approximately 5 ½ inches apart (this is the distance between the mounting holes in the seat). Loosen screws if necessary.

Installation Instructions



4. Attach seat (Quick-Release mechanism).

Carefully lower seat (holes) onto mounting posts. NOTE: If posts are not perfectly aligned, move seat or mounting base(s) so both posts can be inserted at the same time.

Tip: Lift mounting bases to unstick from bowl (loosen screws if necessary).

Tip: Push seat down and jiggle, making sure both posts are completely inserted.



5. Close seat and lid.

Tap forward and let the seat and lid close by themselves.

Tip: It is OK to push the seat and lid closed. Unlike other Slow-Close seats, Bath Royale® seats can be force-closed repeatedly, without damaging the Slow-Close mechanism.

Closing too slow? Push it closed.



6. Adjust Seat

If mounting bases are tilting forward, push them down so they sit flat on bowl. With the lid closed, align seat with bowl by moving the seat and mounting bases together.

Tip: Lift back of seat to unstick mounting bases from bowl. We recommend installing the seat so it overhangs the front of the bowl by ¼ inch. That way, users can lift the seat more easily without touching the toilet bowl.

Tip: In most cases, screw heads will be towards back of screw slot (see drawing). Don't worry if screw positions don't match on both sides. Hole positions can vary slightly on all toilets.

Installation Instructions

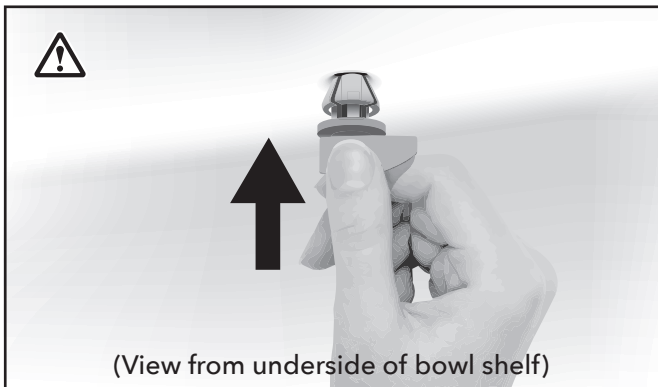


7. Double check seat alignment and **tighten screws very firmly. Do not turn wing nut.**

⚠ Note: Wing nuts work on a wedge principle. For final tightening, the tips must be centered in the underside of the mounting hole. If not tightening, move wing nut around while pushing upward until tips slip into the hole. As the screw turns, the points of the wing nut are squeezed tighter into the mounting hole. Hold wing nut (if necessary) to keep it from turning.

Tip: If screw heads are obstructed by the seat, remove seat for final tightening (see next step).

Note: Industry standard mounting holes are round and $\frac{5}{8}$ inch (14 mm) in diameter. If your toilet holes are not standard or the wing nuts will not thread, please contact us. We have alternate mounting hardware available.



8. **Remove seat.**

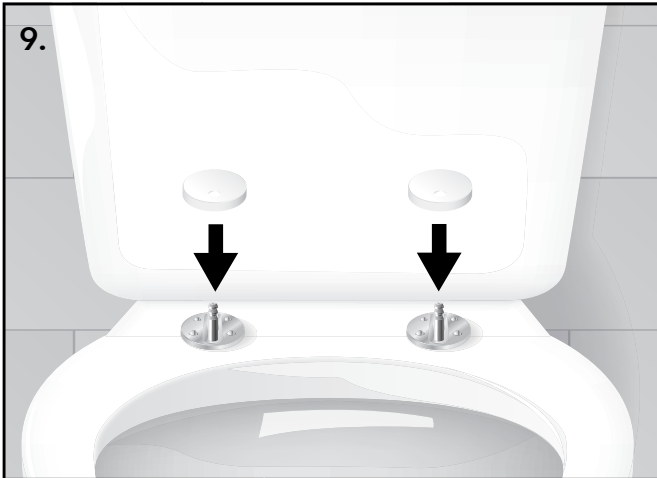
Open seat and lid. (Hinges will pivot and you will feel some resistance. This is normal and the seat should remain connected to the posts).

With seat open to vertical position (90 degrees from closed), lift straight up to remove seat.

Tip: If seat does not release, lean it back slightly further (i.e. 100 degrees), then forward to 85 degrees and lift up.

Tip: Quick Release automatically 'unlocks' at 85-90 degrees and 'locks' at any other angle (closed or partially closed).

Installation Instructions



9. Place mounting base covers on mounting bases.

Tip: If you prefer stainless steel covers, brushed nickel and polished chrome finishes are sold separately at BathRoyale.com.



10. Replace seat.

Align holes with mounting posts and carefully lower seat onto posts.

Tip: Push down and jiggle, making sure both posts are completely inserted. (If difficult, re-check alignment of posts and holes).

Tip: Practice removing seat (Step 8) and replacing seat (Step 10).

CARE & CLEANING TIP: DO NOT spray or saturate the mounting bases. (Doing so may cause seat to move out of position). Spray your cloth first, then wipe.

Troubleshooting Tips:

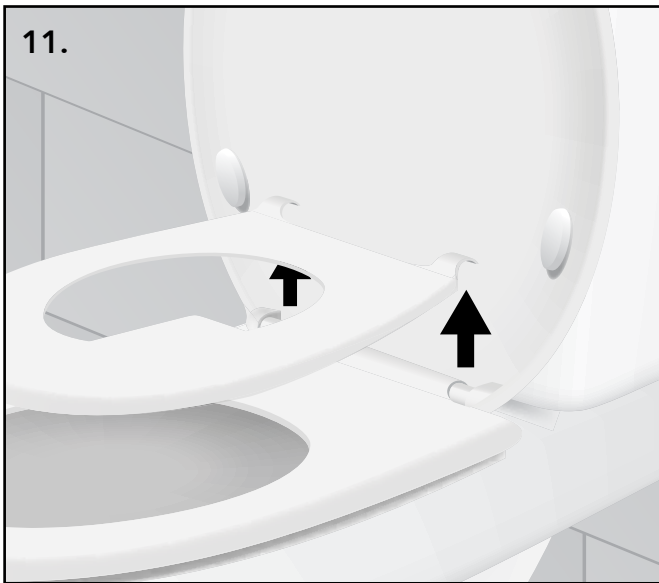
- Rear bumpers are not supposed to touch the bowl until person is seated.
- If seat or lid do not stay open, adjust the seat forward (see Step 6). Increasing the length also increases layback angle. Make sure tank lid is pushed back as far as possible.
- See more tips and installation video at BathRoyale.com.



BATH ROYALE

LUXURY BATHROOM ACCESSORIES

Child Seat Removal



11. Remove child seat.

Grip the child seat underneath at both sides and lift one side, then the other.

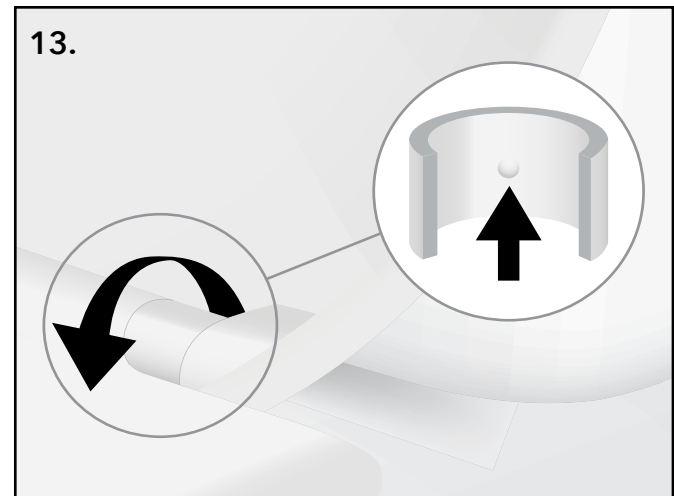
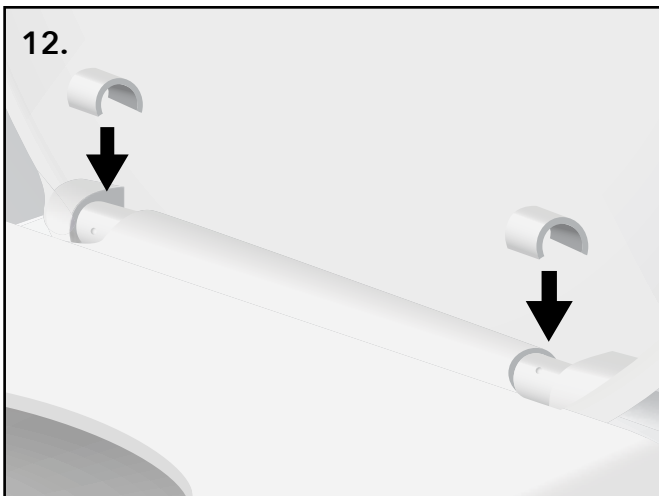
12. Insert C-rings.

Push (snap) into place to fill the void left by the child seat removal.

13. Rotate C-rings.

Use your finger or thumb to rotate the C-ring until it "clicks" into place.

Note: When properly positioned, the C-rings fill the space when adult seat is up or down.



Note: Store child seat for future use. To re-install, simply remove C-rings and snap child seat into place.