



BATH ROYALE

INSTALLATION INSTRUCTIONS

Model: BR620 Round / BR606 Elongated

Premium Toilet Seat with
Slow Close & Quick Release
(Original Hardware)

Visit us at: BathRoyale.com



BATH ROYALE

LUXURY BATHROOM ACCESSORIES

Care & Cleaning

Do Not clean your seat the same way as your toilet. Our seats are a solid color throughout and will not chip, peel or fade, and will last for years, with proper care and cleaning. Clean your seat using a soft cloth and mild dishwashing liquid diluted with water. Diluted multi-surface cleaners (Mr. Clean®, Pine-Sol®, etc.) or chlorine-free disinfecting wipes (Lysol®, Clorox®, etc.) can be used. Rinse your seat with a damp cloth and dry with a soft towel.



IMPORTANT



- **Do Not** use brushes, scouring pads or abrasive cleaners (Comet®, Soft Scrub®, Scrubbing Bubbles®, etc.) which can scratch or dull the surface.
- **Do Not** use aerosols, acid, rubbing alcohol, harsh chemicals or cleaners containing chlorine. Do not mix cleaning chemicals.
- **Do Not** submerge the seat in water.
- **Do Not** spray or saturate the mounting bases or hinges. Doing so may cause the mounting bases to slip and your seat to slide out of position. If using a pump spray, spray the cloth, then wipe.



2 YEARS



BATH ROYALE
LUXURY BATHROOM ACCESSORIES



Mark Hillman
President

2-YEAR LIMITED WARRANTY

Bath Royale® toilet seats purchased from authorized Bath Royale sellers are warranted to the original consumer purchaser to be free from defects in materials and workmanship for a period of 2 years from date of purchase. This warranty is not transferrable and applies to residential installations only.

Bath Royale will provide free of charge, parts or product to replace those found to be defective in normal use. If product is no longer available, Bath Royale may provide a comparable product or elect to refund the purchase price in exchange for the return of the product. Proof of purchase (original sales receipt) must be available for all warranty claims.

This warranty does not cover toilet seats modified or installed on or with anything other than conventional toilets. Damage or loss due to accident, misuse, negligence, improper installation, care and cleaning are excluded from this warranty. This warranty does not cover labor charges incurred and/or damage sustained in installation, repair or replacement, nor incidental or consequential damages.

This warranty gives the original consumer purchaser specific legal rights which may vary from state to state. This warranty is exclusively in lieu of all other warranties, including any implied warranties of merchantability or fitness for a particular purpose.

Questions? Please visit bathroyale.com

© All Rights Reserved

Bath Royale® by Marcobelle Company LLC, 99 Jackson Street #912, Davidson, NC 20836
bathroyale.com

Rev.08032022

Installation Instructions

Tools Required:
Phillips Head Screwdriver
Tape Measure or Ruler

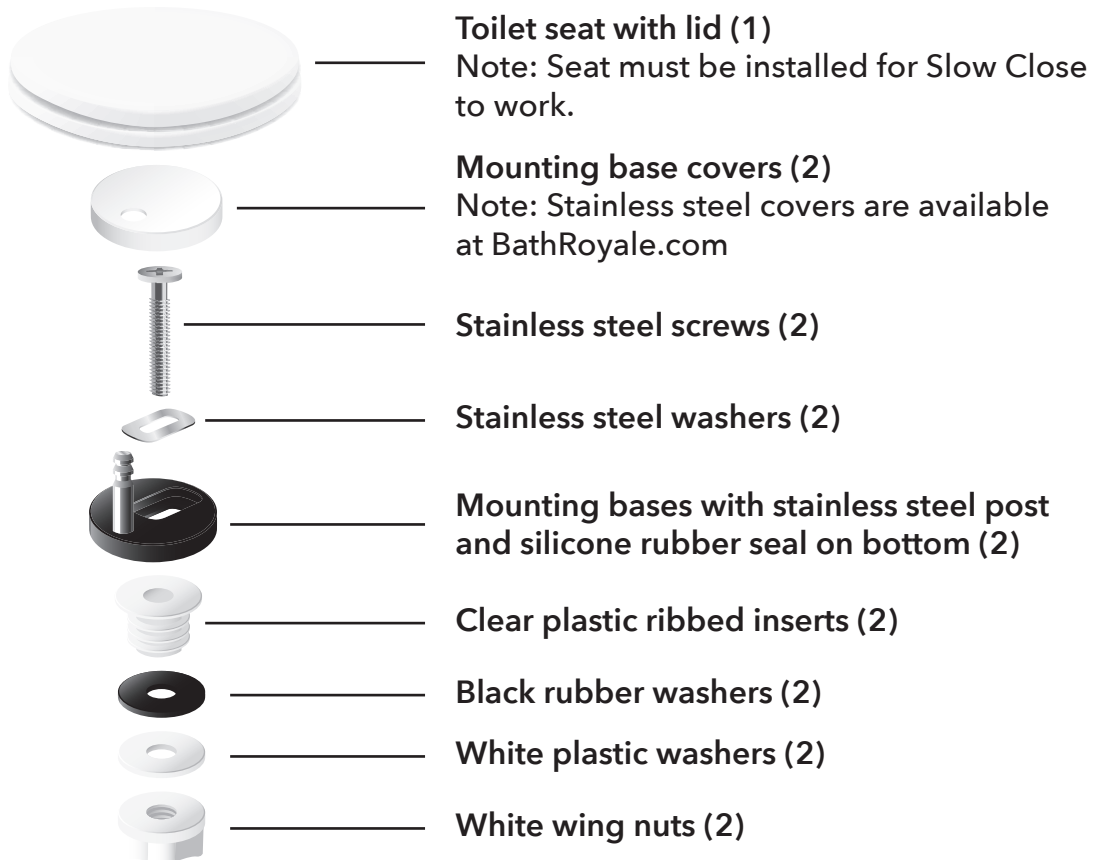


Model: BR620 Round / BR606 Elongated
Premium Toilet Seat with
Slow Close & Quick Release
(Original Hardware)

Installation is not difficult, but it is VERY DIFFERENT from other seats. Please follow these instructions step-by-step. (Video available at BathRoyale.com).

MISSING PARTS? Please do not return your seat. Call (704) 589-1009 or email info@BathRoyale.com for replacement parts.

Parts List



NOTE: Toilet bowls without access to nuts under seat require top mount anchors sold separately at BathRoyale.com

Installation Instructions

Important: Mounting surface of toilet must be flat, clean and dry with no chemical residue. To prepare mounting surface, we recommend using Windex® (or any glass cleaner) around the mounting holes of the toilet to get the mounting surface squeaky clean.



1. Install mounting bases on toilet bowl.

- Push clear plastic ribbed inserts into the holes in the toilet and place mounting bases over holes with posts facing front of bowl.
- Place stainless steel washers in mounting base slots and insert screws through the washers, mounting bases and clear ribbed inserts.
- Stack washers on wing nuts and thread on to screws. **Note:** The black rubber washer goes on first, then the white washer and finally, the wing nut.

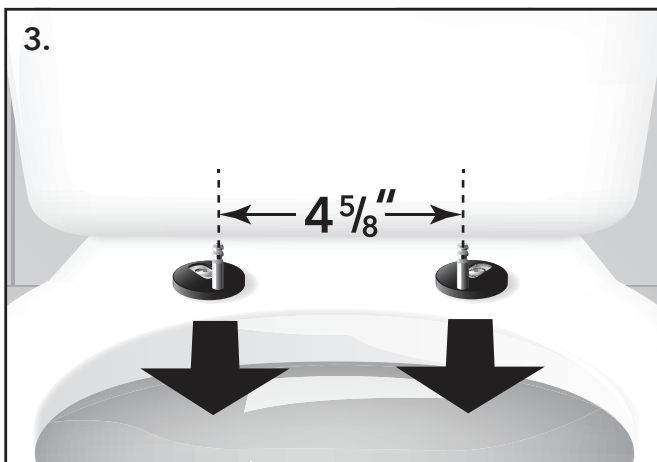
Tip: Mounting bases rotate 360 degrees allowing seat to be adjusted and fit non-standard hole spacings (4 ½ to 6 ½ inches).



2. Hand-tighten wing nuts.

Do not completely tighten the wing nuts. The mounting bases must be able to move so the seat can be attached and adjusted.

Tip: Place thumb or finger on the screw head to keep it from turning.



3. Adjust mounting bases.

- Rotate mounting bases so the posts face forward (closest to the front of the bowl, not tank).
- Using a tape measure or ruler, adjust the mounting bases so the posts are 4 5/8 inches apart (this is the distance between the mounting holes in the seat).

Do not completely tighten the wing nuts.

Installation Instructions



4. Attach seat (Quick-Release mechanism).

Carefully lower seat (holes) onto mounting posts. NOTE: If posts are not perfectly aligned, move seat or mounting base(s) so both posts can be inserted at the same time (lift mounting bases to unstick from the bowl, if necessary). As the seat lowers onto the posts, you will hear "click(s)" as the seat locks onto the posts.

Tip: If one post locks before the other post is inserted, don't worry or try to unlock it, move the seat and/or mounting bases so the other post can be inserted.

NOTE: Quick Release is "unlocked" by pressing the button at the back of the seat. If the button is pressed before attaching the seat, don't worry, it will pop "out" (lock) when the seat is attached.



5. Close seat and lid.

Tap forward and let the seat and lid close by themselves.

Tip: It is OK to push the seat and lid closed. Unlike other Slow-Close seats, Bath Royale® seats can be force-closed repeatedly, without damaging the Slow-Close mechanism.

Closing too slow? Push it closed.



6. Adjust seat.

If mounting bases are tilting forward, push them down so they sit flat on bowl. With the lid closed, align seat with bowl by moving the seat and mounting bases together.

Tip: Lift mounting bases to unstick from bowl (loosen screws if necessary). We recommend installing the seat overhanging the front of the bowl by ¼ inch, so the seat can be lifted more easily without touching the toilet bowl.

Tip: In most cases, screw heads will be towards back of screw slot (see drawing). Don't worry if screw positions don't match on both sides. Hole positions can vary slightly on all toilets.

Installation Instructions



7. Hand-tighten wing nuts.

Put finger or thumb on screw head and push down to prevent screw from turning.

Tip: Be sure the seat does not move.



8. Double check seat alignment and tighten screws very firmly.

Important: To tighten properly, it is necessary to hold wing nuts beneath while tightening with screwdriver.

Tip: If screw heads are obstructed by the seat, remove seat for final tightening (see next step).



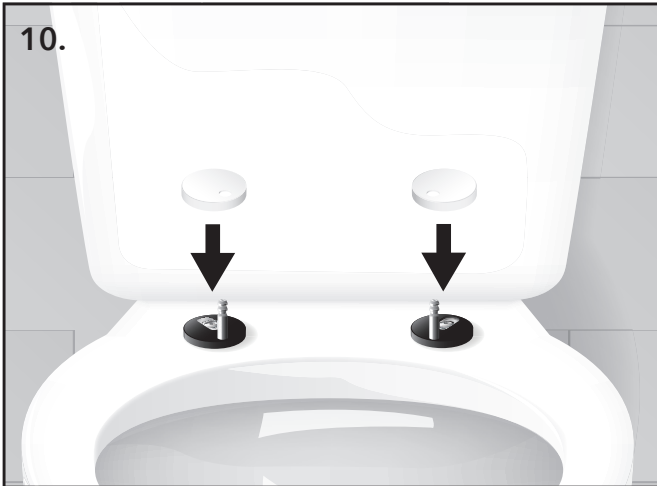
9. Remove seat using Quick Release.

- With seat and cover closed, press and release the button at the back of the seat. (Pressing the button 'unlocks' the seat).
- Carefully open the seat (Hinges will pivot and you will feel some resistance. This is normal and the seat should remain connected to the posts).
- With seat and lid open, lift straight up with one hand. (You will hear a 'click' as the seat slips off the posts very easily).

Tip: 1. If difficult, re-check post alignment.

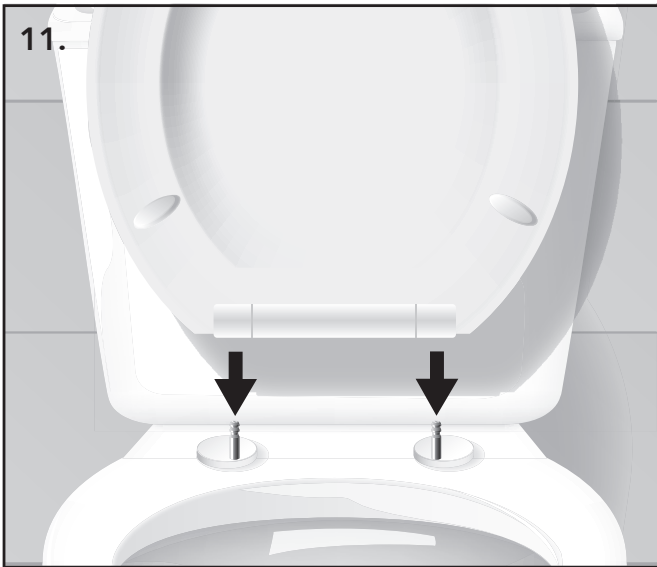
- Mounting surface must be level, so mounting bases lay flat and mounting posts point straight up.

Installation Instructions



10. Place mounting base covers on mounting bases.

Tip: If you prefer stainless steel covers, brushed nickel and polished chrome finishes are sold separately at BathRoyale.com.



11. Replace seat.

Align holes with mounting posts and carefully lower seat back into place. You will hear "click(s)" as seat locks onto mounting posts.

NOTE: Do not push hard or force seat onto posts. (If difficult, re-check alignment of posts and holes).

Tip: Practice removing seat (Step 9) and replacing seat (Step 11).

CARE & CLEANING TIP: DO NOT spray or saturate the mounting bases. (Doing so may cause seat to move out of position). Spray your cloth first, then wipe.

Troubleshooting Tips:

- Rear bumpers are not supposed to touch the bowl until person is seated.
- If seat or lid do not stay open, adjust the seat forward (see Step 6). Increasing the length also increases layback angle. Make sure tank lid is pushed back as far as possible.
- See more tips and installation video at BathRoyale.com.



BATH ROYALE

LUXURY BATHROOM ACCESSORIES