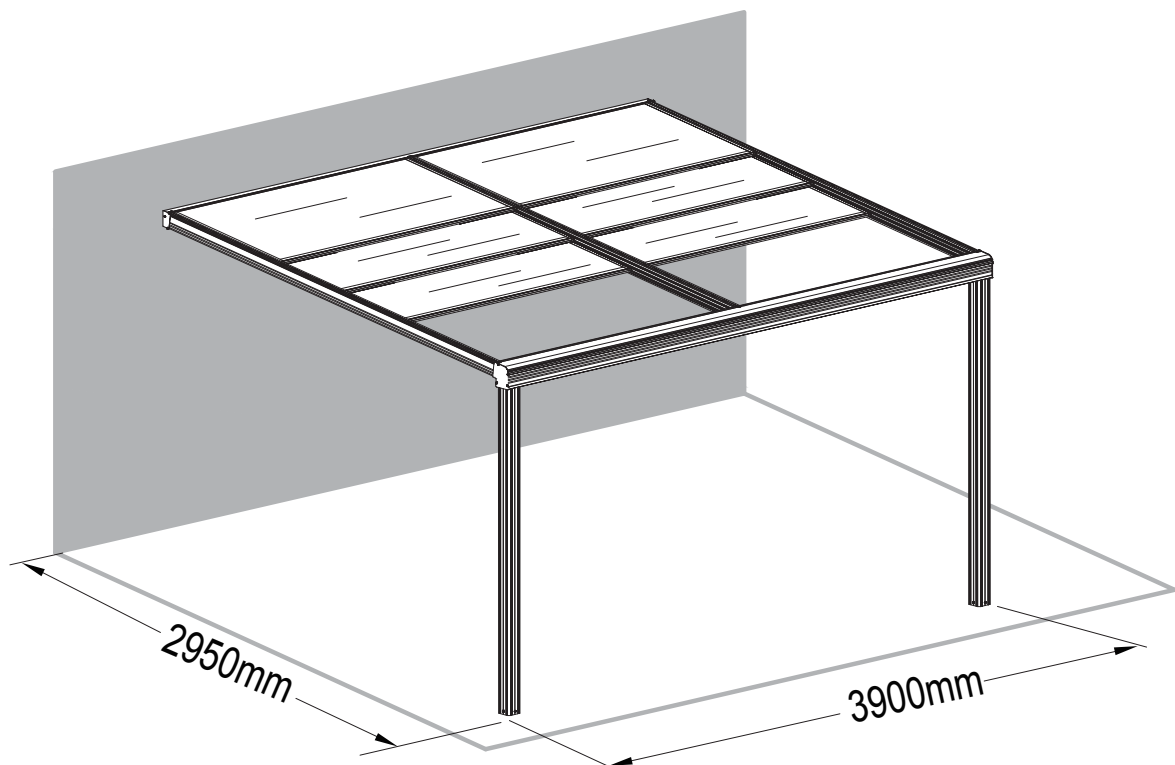


10' x 13' SLIDING ROOF ALUMINUM PATIO COVER



- Please read and understand the product manual completely before assembly
- Check against the parts list to make sure all parts are received
- Wear proper safety goggles or other protective gears while in assembly
- Do not return the product to dealer. They are not equipped to handle your requests.

Missing parts or have questions on assembly?
Please call: 1-877-761-2819 or email: cs@tmgindustrial.com

SAFETY ADVICE

We strongly recommend the use of work gloves during assembly.
Do not attempt to assemble the Wall shed in windy or wet conditions,
Do not touch overhead power cables with the aluminum profiles.
Always wear shoes and safety goggles when working with extruded aluminum.
Dispose of all plastic bags safely-keep them out of reach of small children.
The Wall shed must be positioned and fixed on a flat level surface.
Do not lean against or push the Wall shed during construction.
Keep children away from the assemble area.
Do not position your Wall shed in an area exposed to excessive wind.
Do not attempt to assemble this Wall shed if you are tired ,have taken drugs or alcohol or if you are prone to dizzy spells.
If using a step ladder or power tools ensure that you follow the manufactures safety advice.
Hot items such as recently used grills, blowtorches etc.must not be stores in the Wall shed.
Ensure there are no hidden pipes or cables in the ground before inserting the pegs.

GENERAL ADVICE

This is a multi-part assembly, Allow at least 90 minutes for assembly.
Selecting a site-choose a sunny level position away from overhanging trees.
If you are fixing your Wall shed directly to a solid concrete foundation use the pre drilled holes in the metal base supplied.
The component parts should be checked and laid out close at hand.
Keep all small parts(screws etc)in a bowl so they do not get lost.
Note that the door is hinged on the right hand side and therefore opens tothe right.
Keep roof clear of snow and leaves.

CARE & MAINTENANCE

When your Wall shed needs cleaning, use a mild detergent solution and risen with cols clean water.
Do NOT use acetone, abrasive cleaners or other special detergents to clean the clear panels.

TOOLS & EQUIPMENT REQUIRED

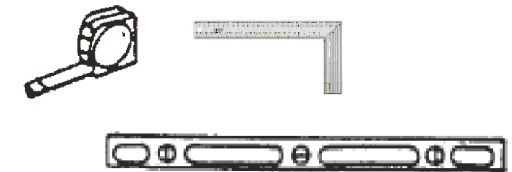
Protective Equipment:

- 1.Helmet
- 2.Glove
- 3.Long Sleeve Cotton Overalls
- 4.Emergency Medicine Cabinet
- 5.Eye Shield



Measure (metric):

- 1.The Tape (5 m)
- 2.Angle Square
- 3.Level Meter



Installation Tool:

- 1.Triangle Stairs≈2m Height
- 2.Spanner 10mm (Ratchet Wrench is better)
- 3.Spanner 14mm (Install the expansion screw)
- 4.Hexagon wrench 5mm
- 5.Electric screwdriver+5mm Hexagon wrench (suggest)
- 6.Wooden Mallet
- 7.Marking Pen
- 8.Percussion bit(8mm and 10mm)
- 9.Knife
- 10.Phillips screwdriver

Ø3

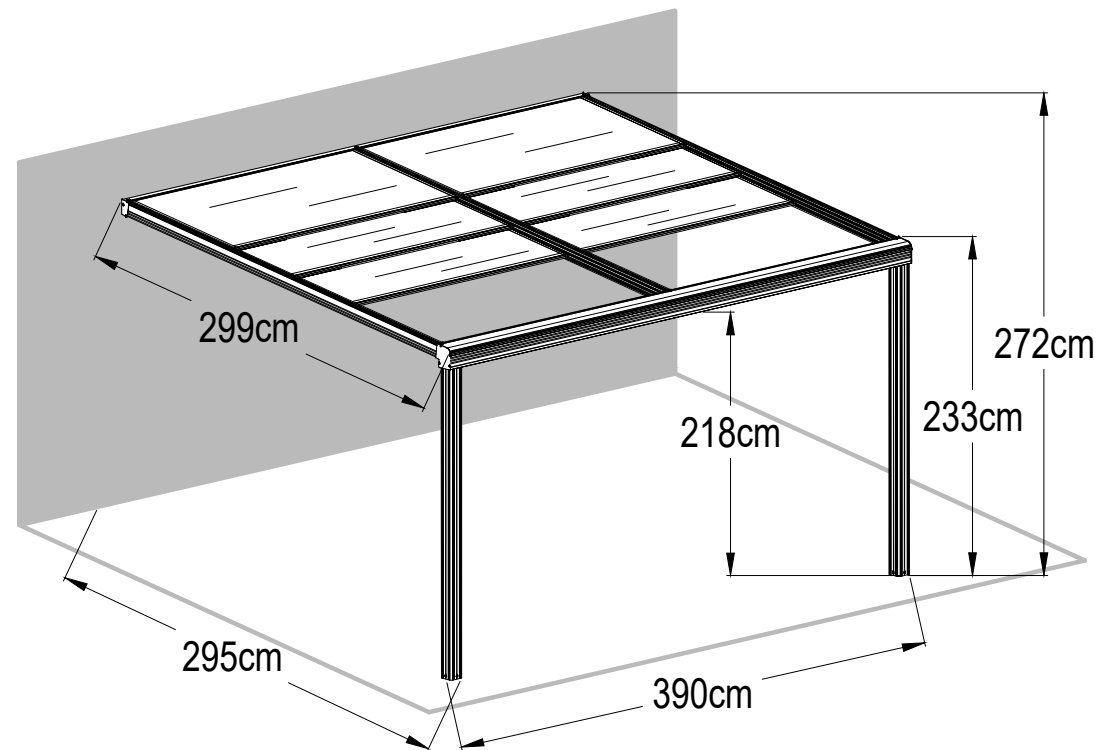


PRODUCT SIZE

Make sure a good installation location

OTHER CAUTIONS

1. 3 people required, one is for measuring & taking marks to ensure the installation dimension, the second person is responsible for the installation and the last one do as assistant and assure the safety.
2. Firstly, make sure the wall is strong enough for installation. A brick concrete structures is the best choice.
3. High-power electric tools are required, ensure the normal work of them and highly pay attention to electric safety.
4. Be careful when using the kind of blunt tools, like hammer.
5. Wearing long sleeve cotton overalls, gloves and helmet during installation and wear safety glasses when using power tools.
6. No up watching when working height, or the drop screws may hurt your eyes and suffocation causing accidentally when fall into your mouth.
7. No climbing, No standing on the tent to avoid falling down.
8. If injuries immediately, using the first-aid kit to stop bleeding, bind up, In case of emergency, taken immediately to a nearby medical institutions.

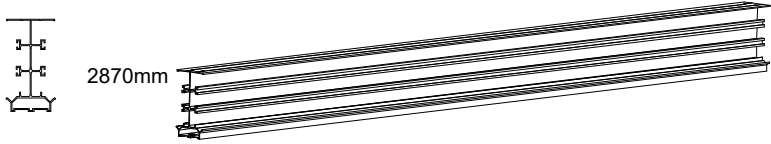
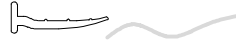
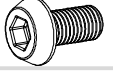
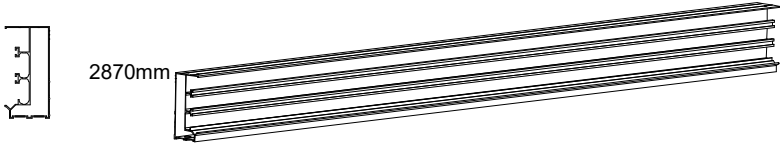
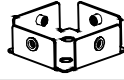

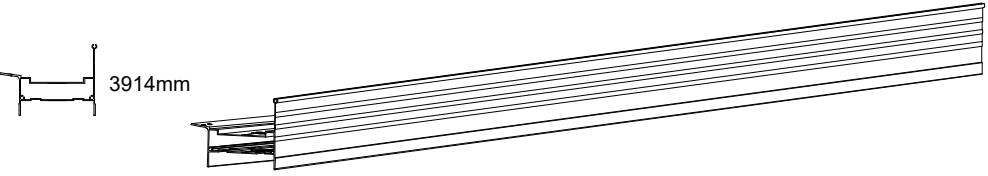
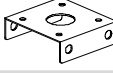

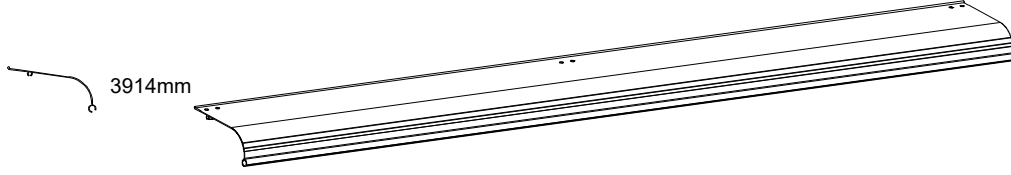
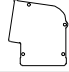

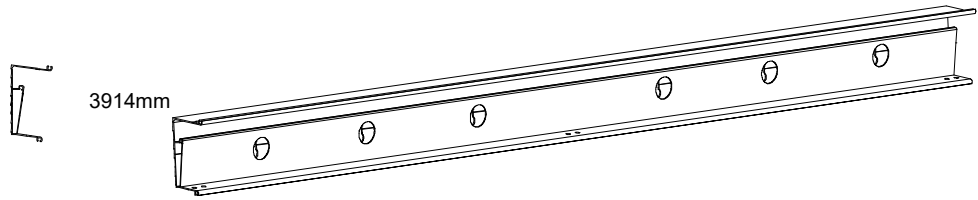
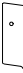


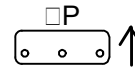

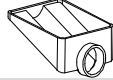

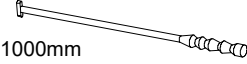

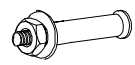
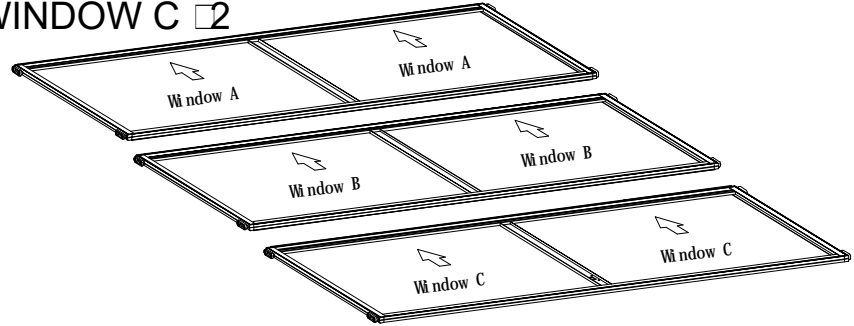


PARTS LIST

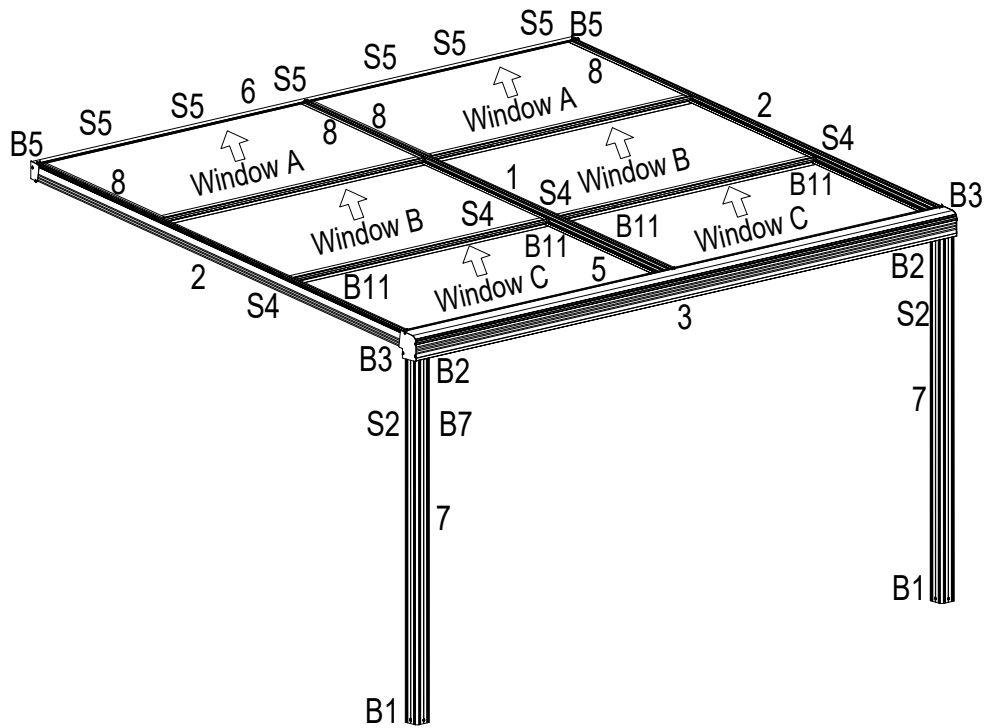
SELETO

CONNECT

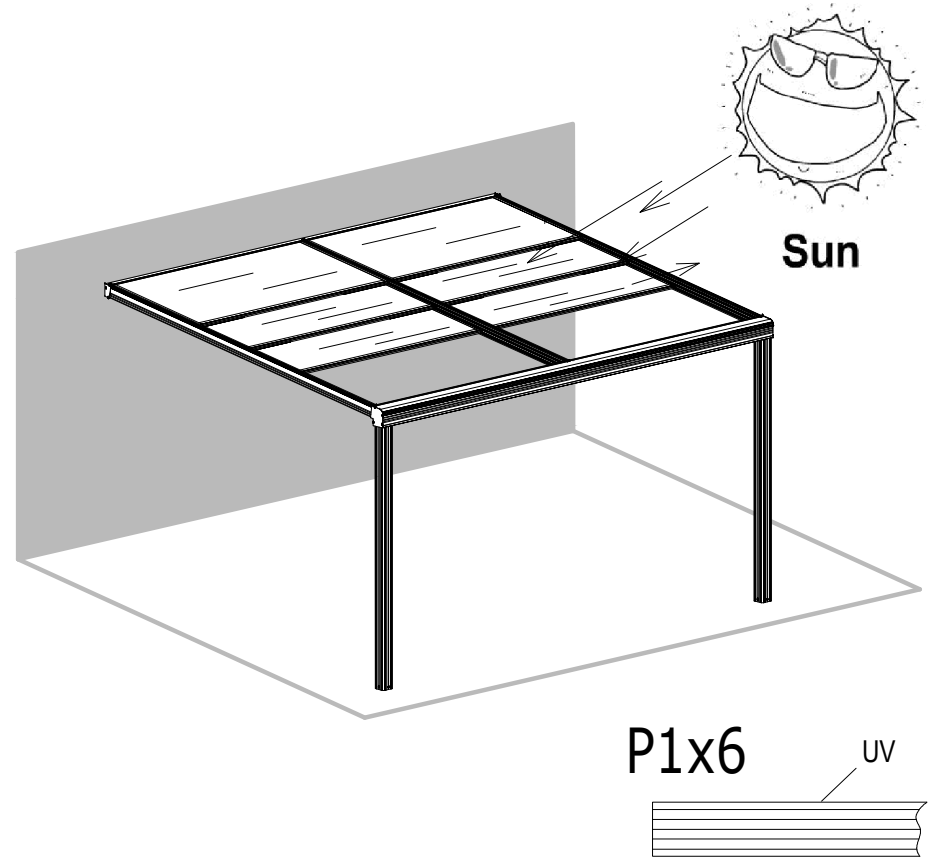
SCREW

QTY	Qt		QTY	Qt		QTY	Qt	
1	1		8	8		F2	36	
2	2		B1	2		F3	44	
3	1		B2	2		F4	1	
5	1		B3	2		F5	6	
6	1		B5	2		S2	2	
7	2		B11	4		S3	5	
Fixed screw should be purchased according to different ground			S1	2		S5	6	
			B7	1		S4	4	
					F6	8		
WINDOWS								
<p>WINDOW A <input type="checkbox"/></p> <p>WINDOW B <input type="checkbox"/></p> <p>WINDOW C <input type="checkbox"/></p>								
								

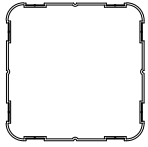
Install schematic diagram of Alu.frames



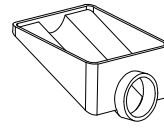
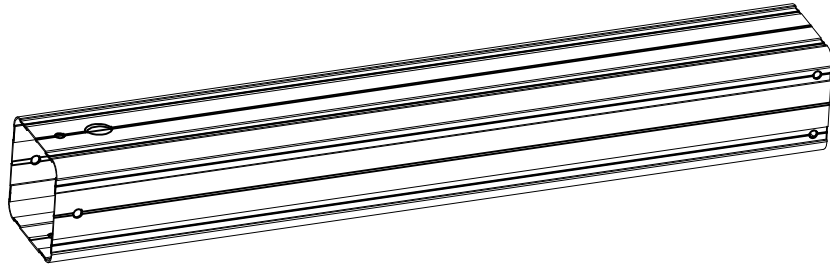
SUMMARY STATEMENT FOR POLYCARBONATE PANEL



Towards the white film side to the sun as it is UV-protected.



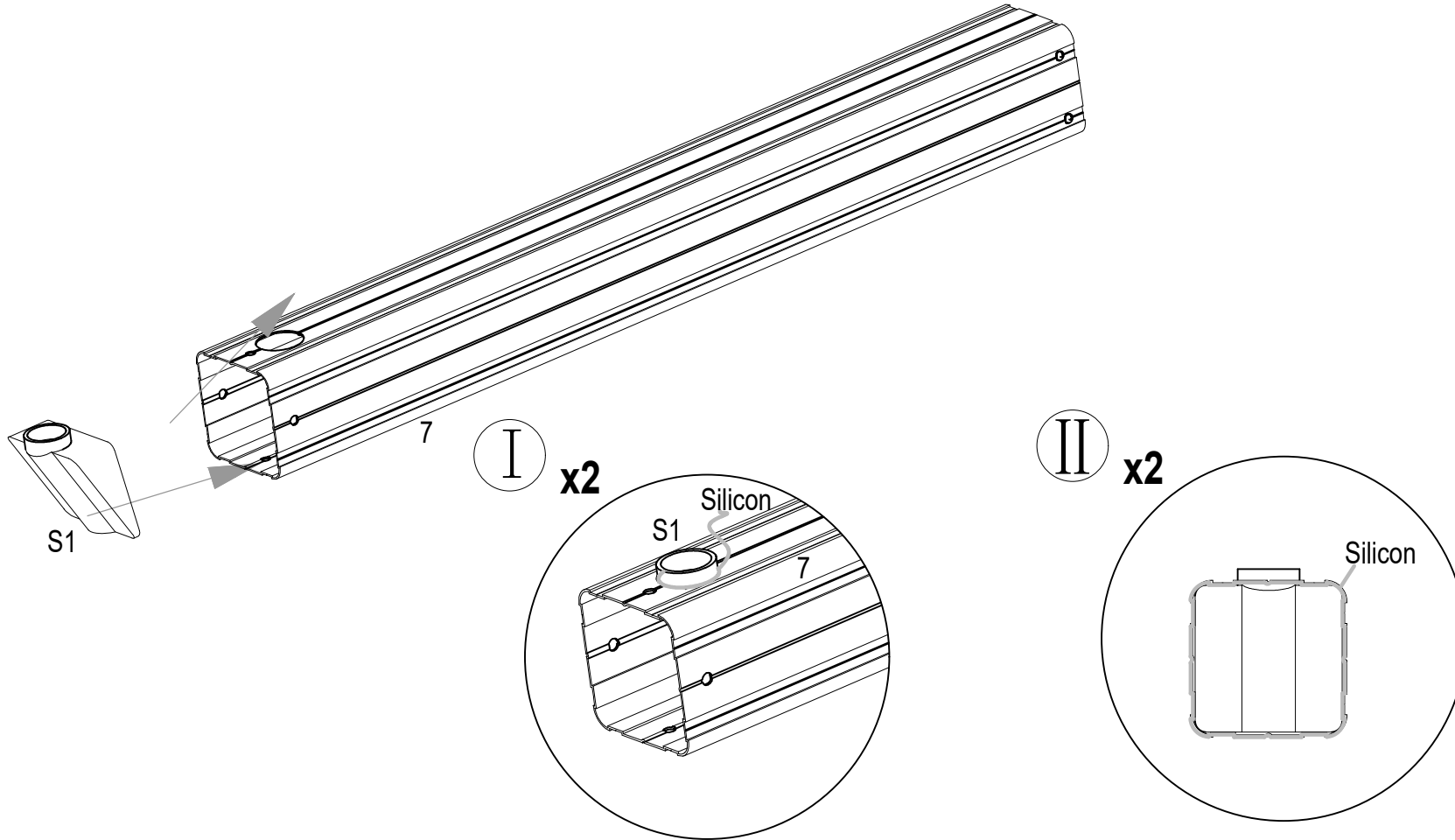
7 x2

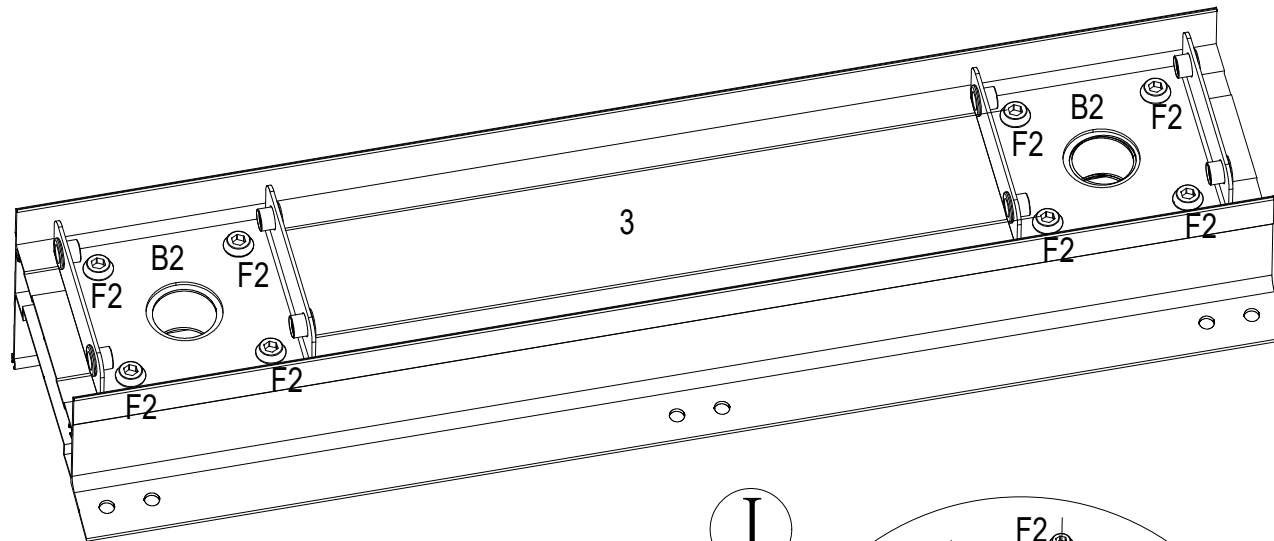
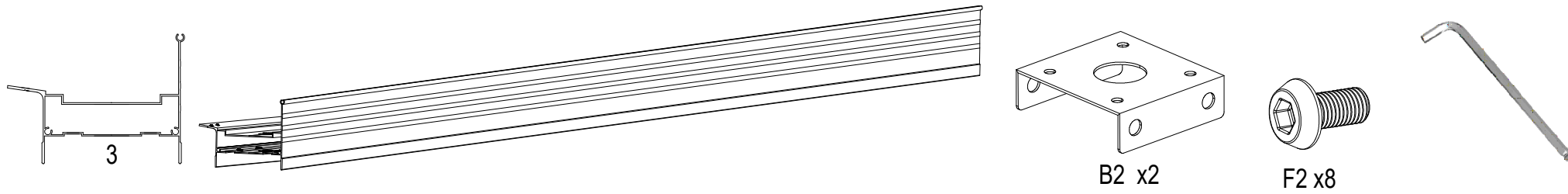


S1 x2

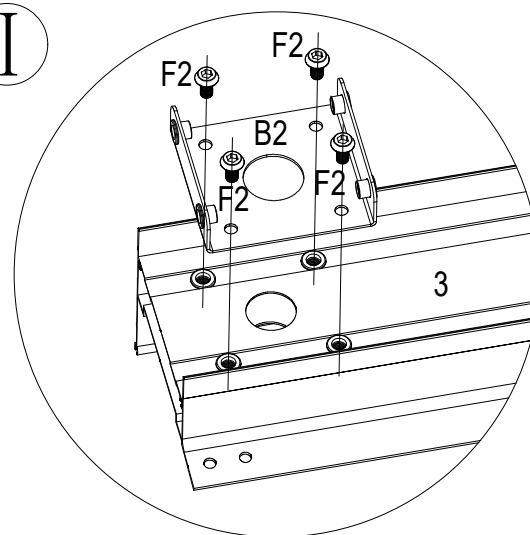


Silicon

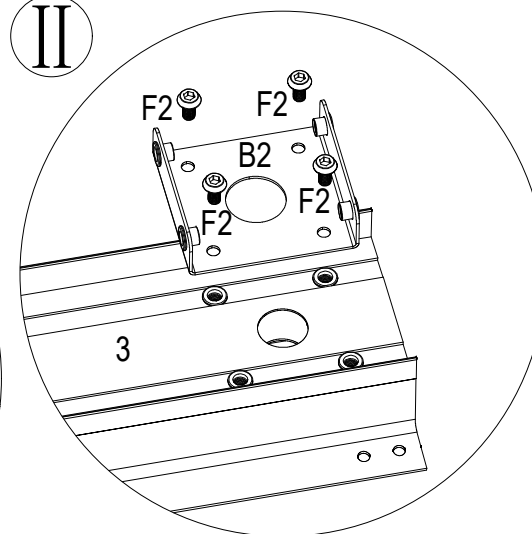


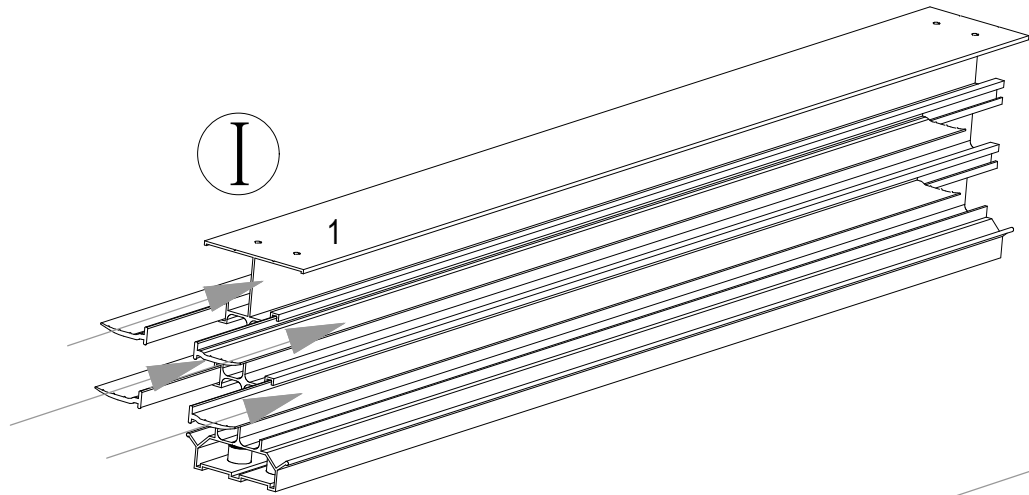
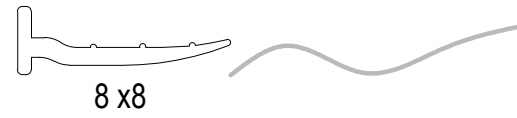
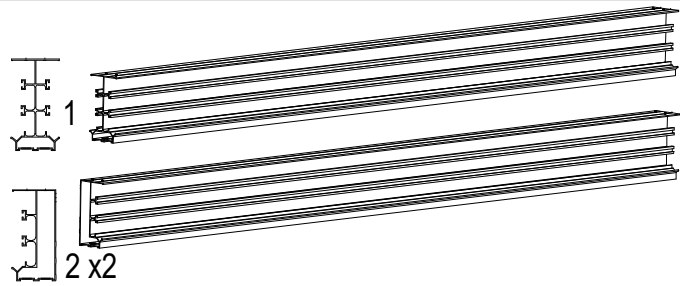


I



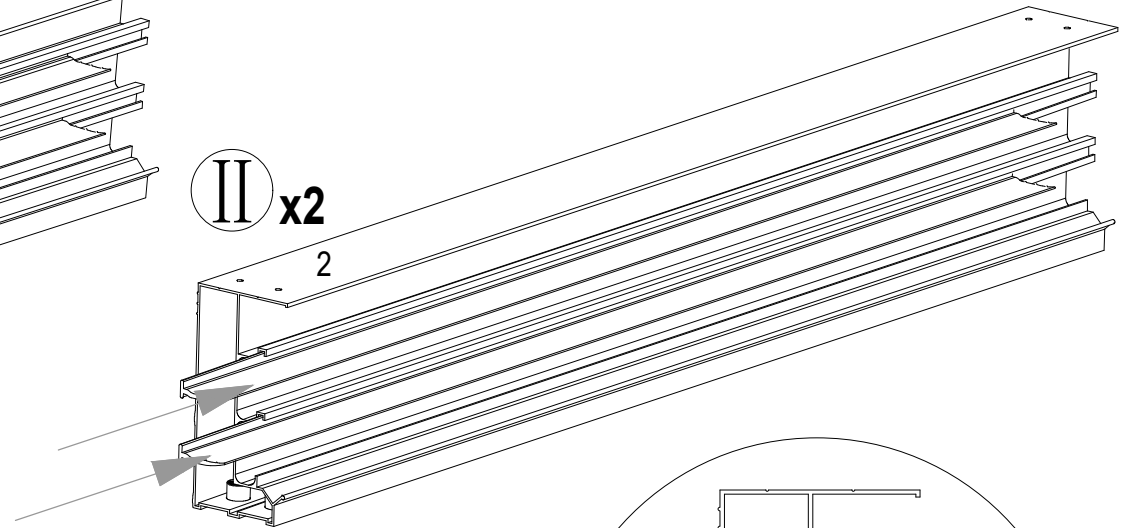
II





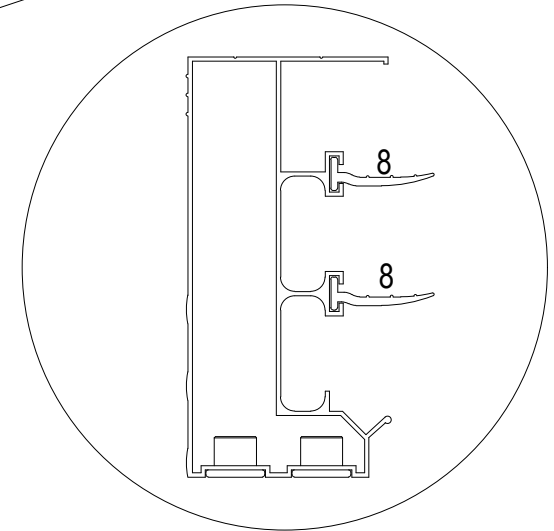
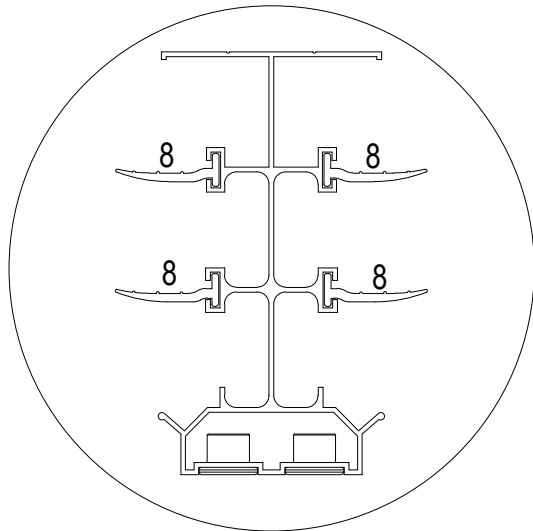
I

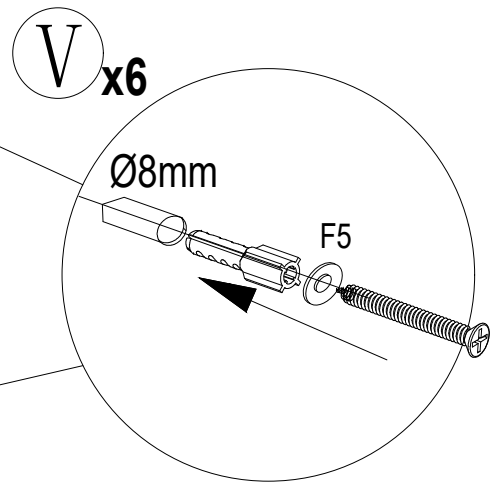
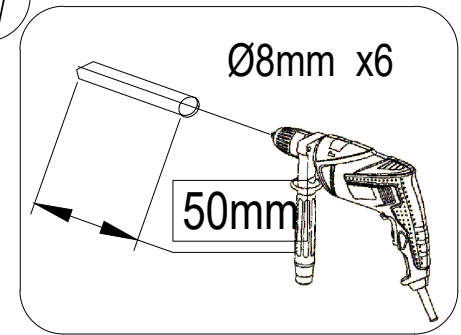
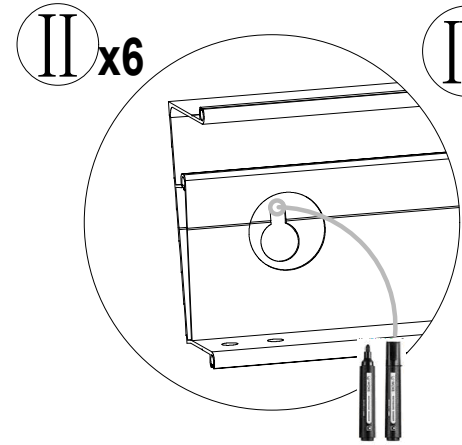
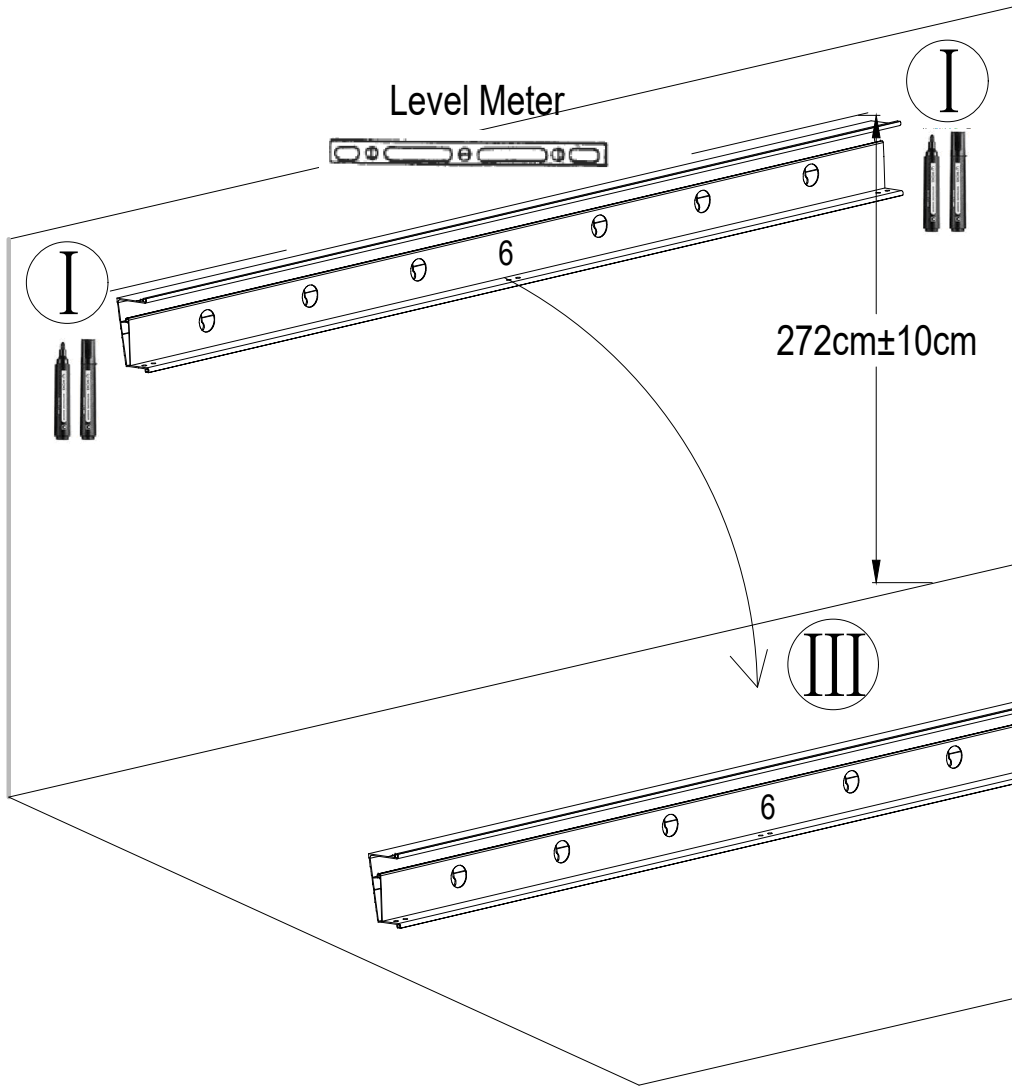
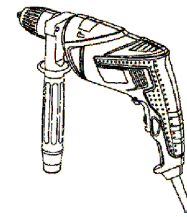
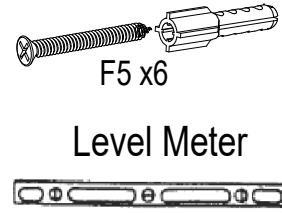
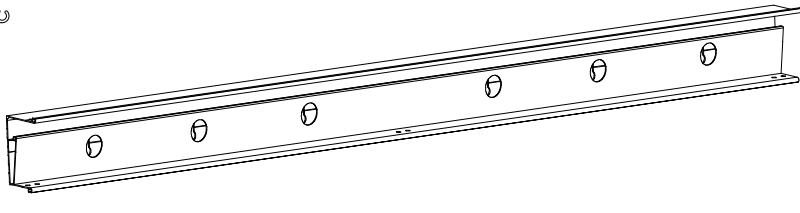
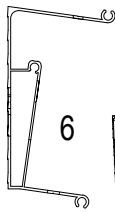
1



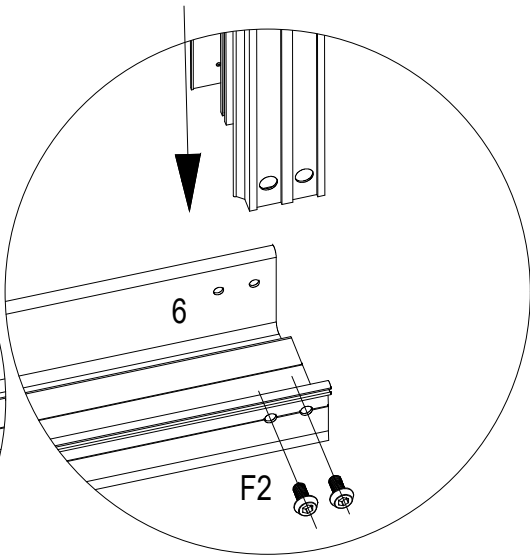
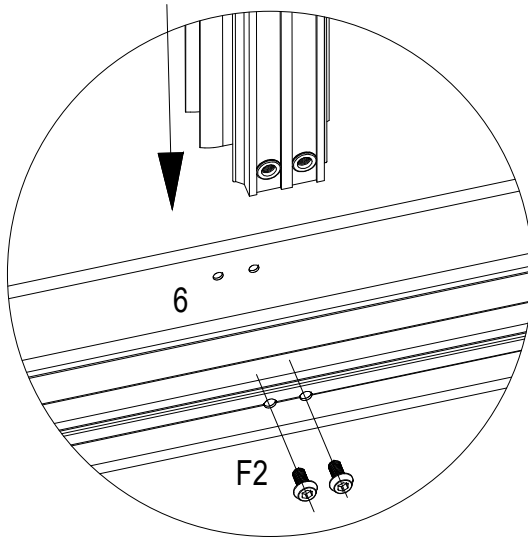
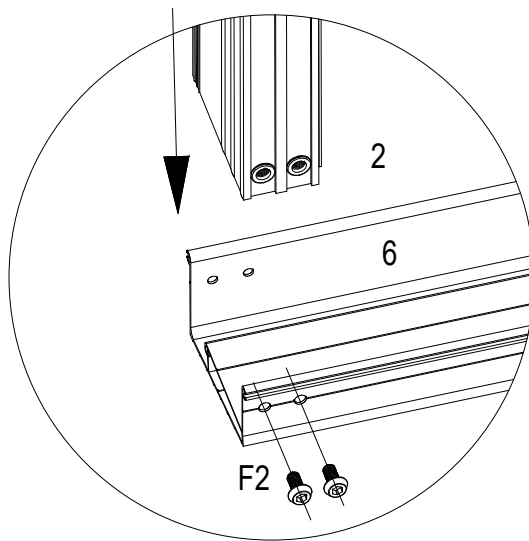
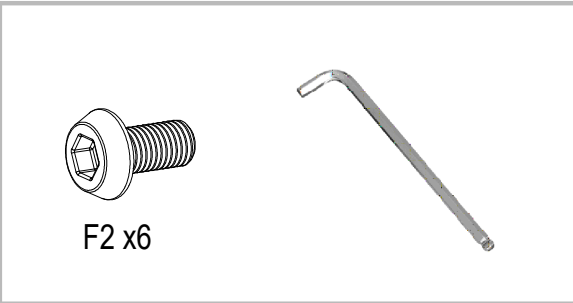
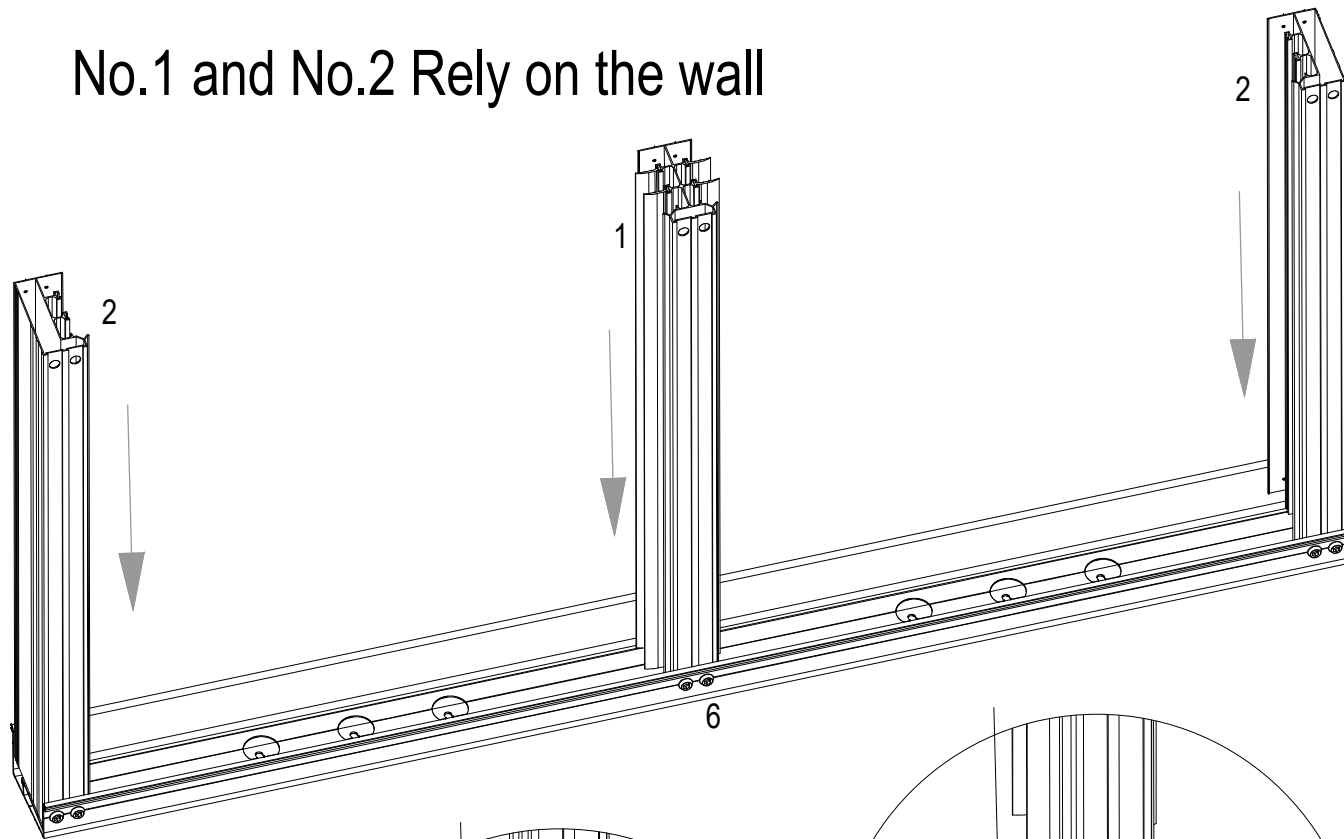
II x2

2

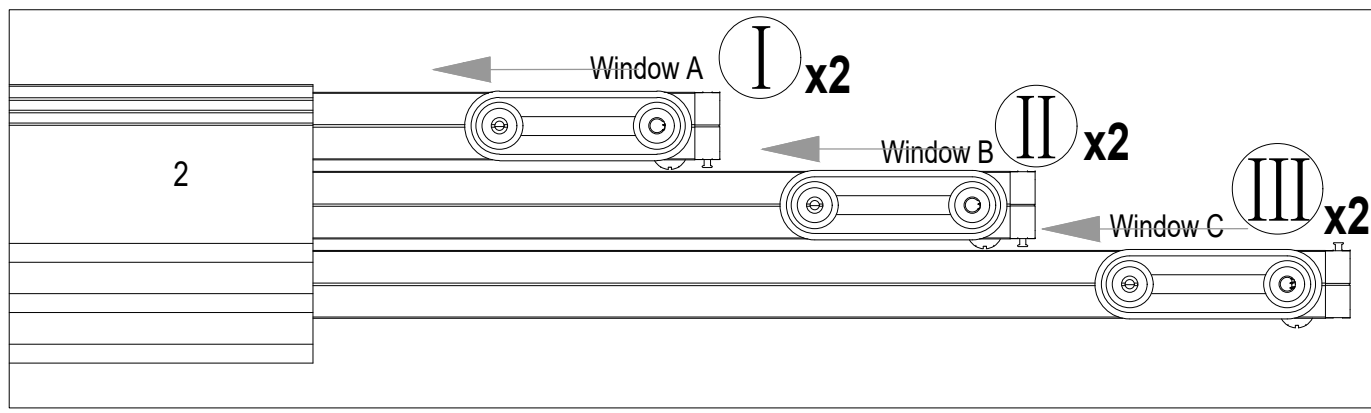
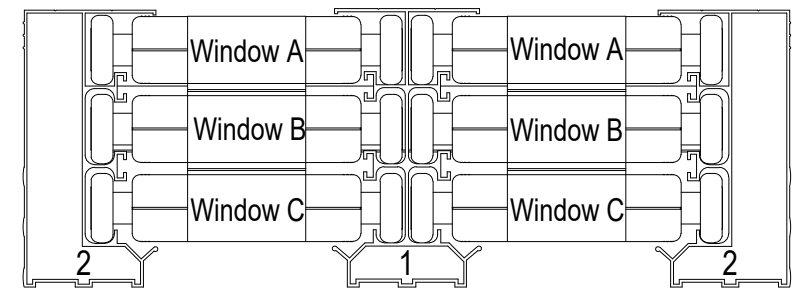
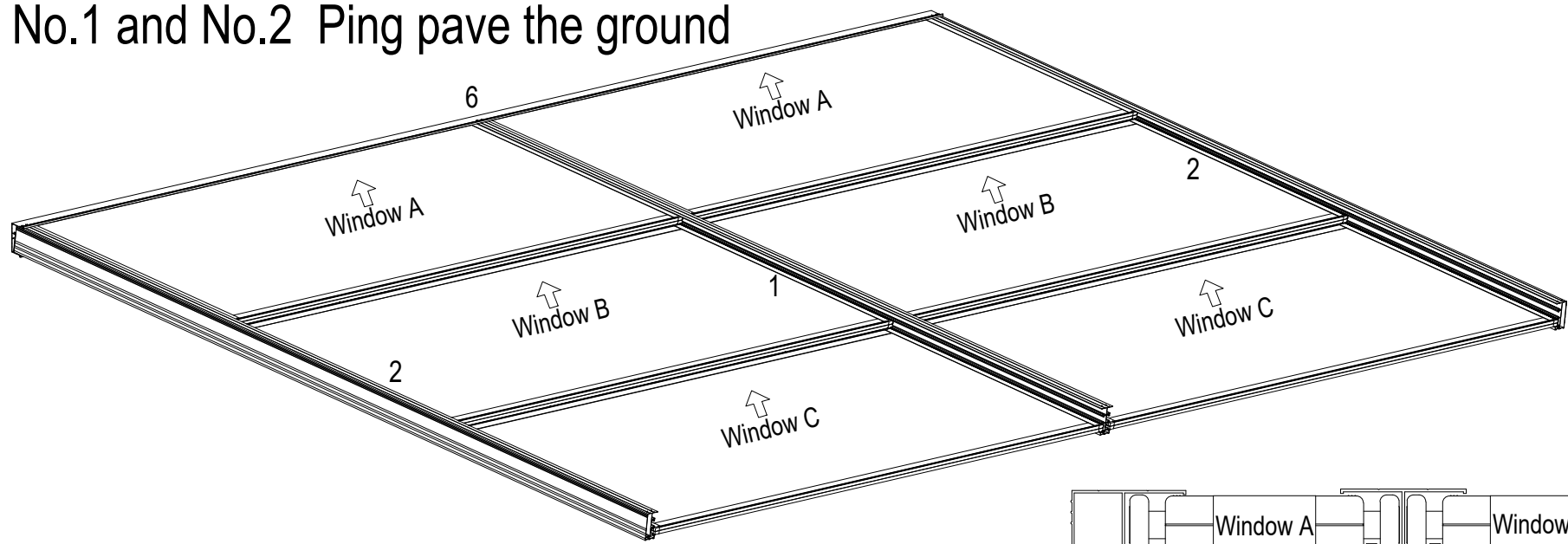


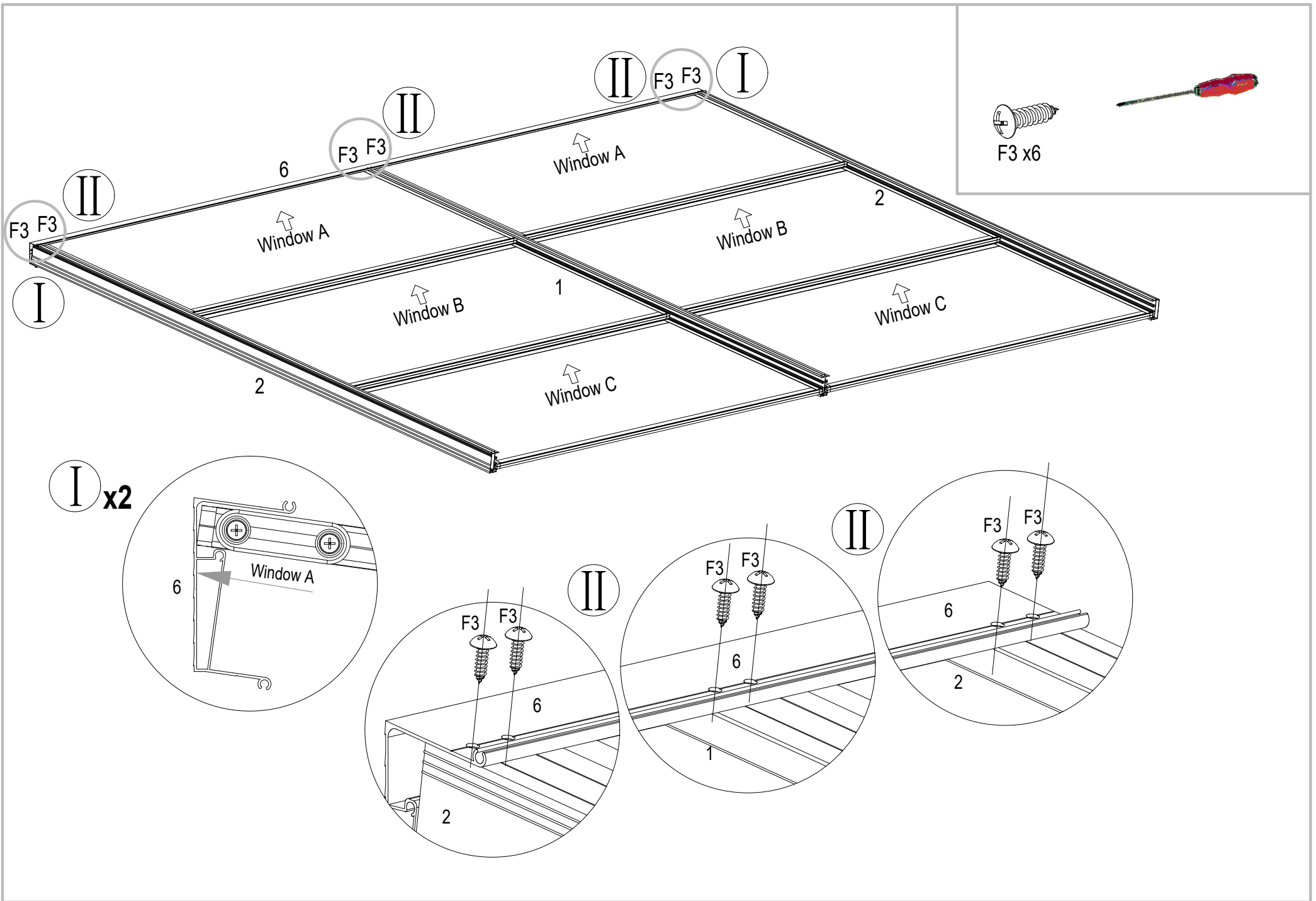


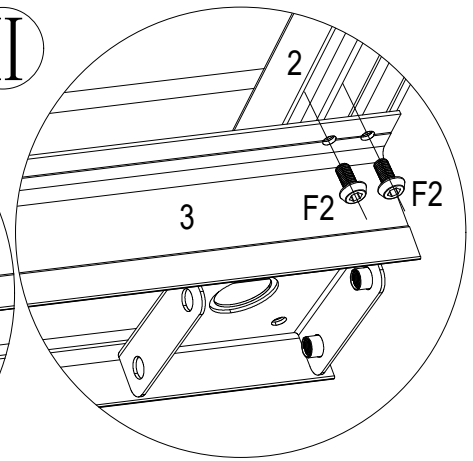
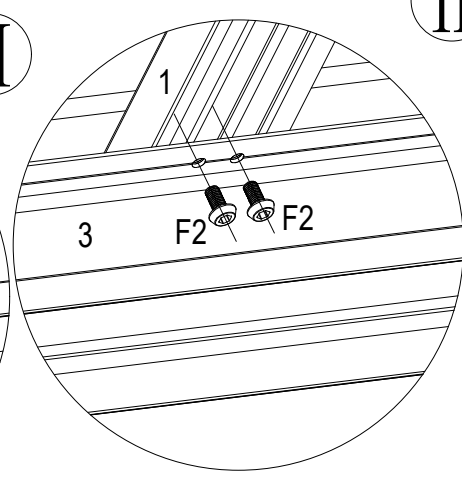
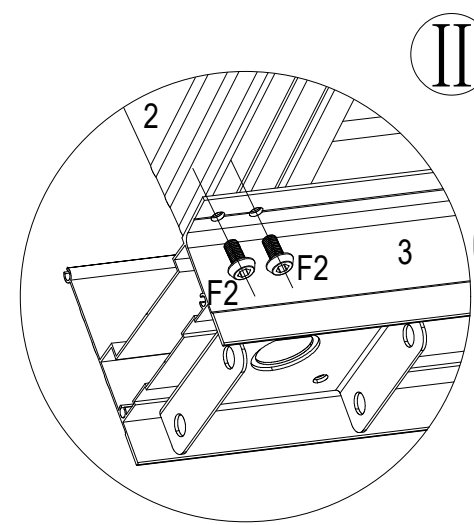
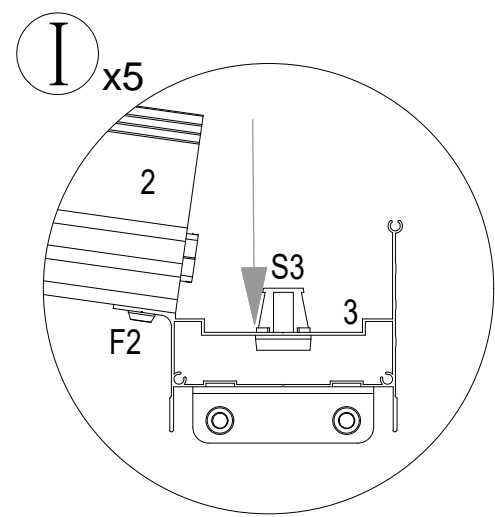
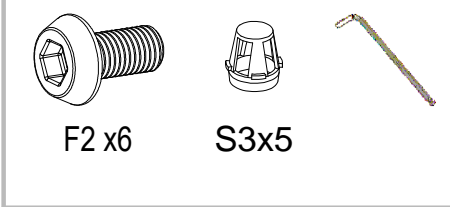
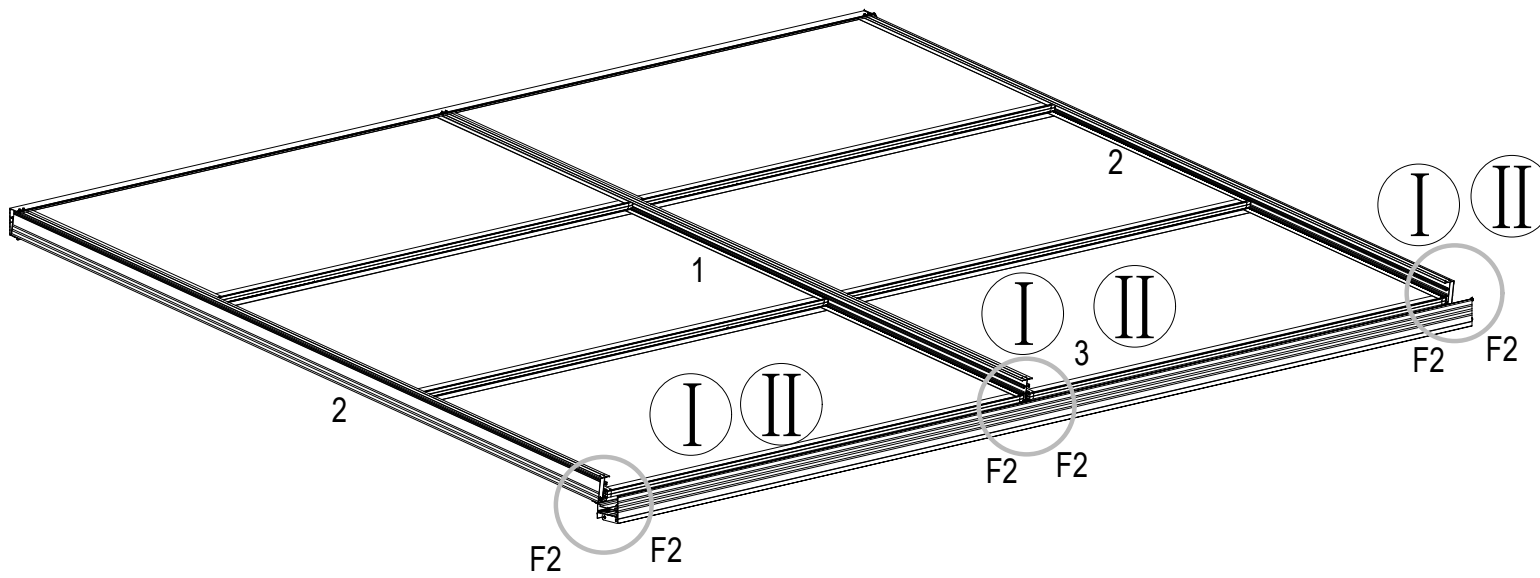
No.1 and No.2 Rely on the wall

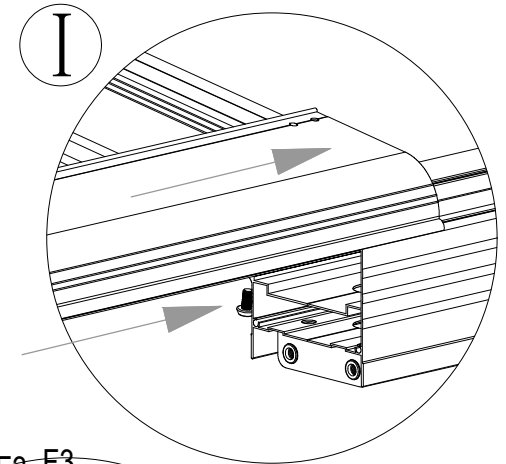
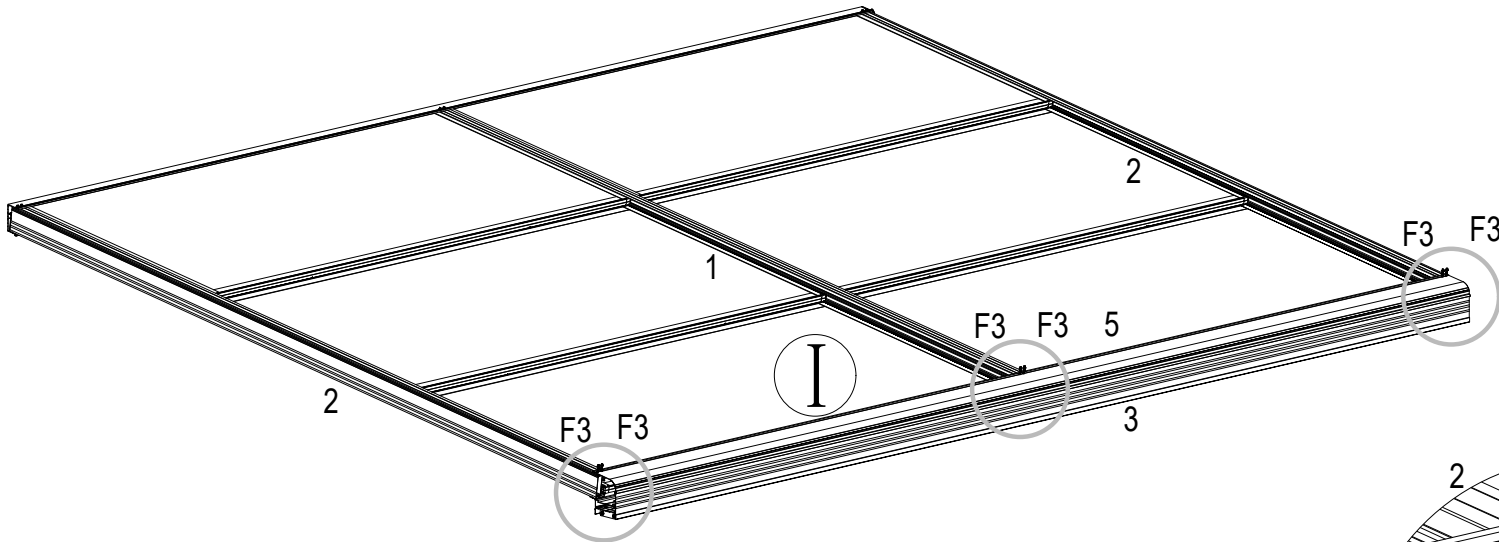
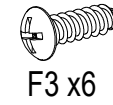
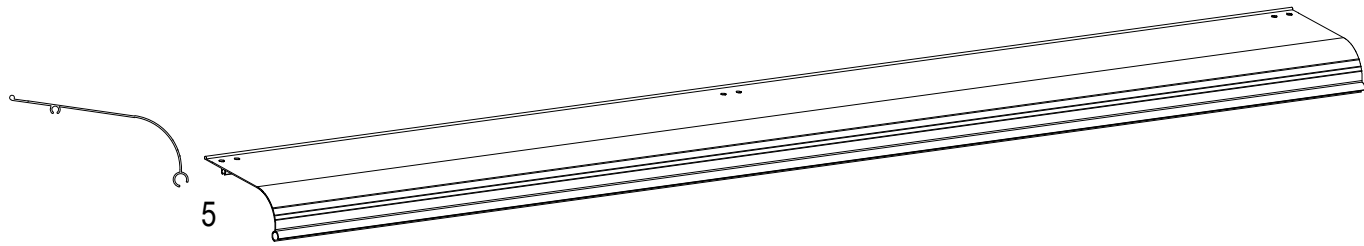


No.1 and No.2 Ping pave the ground

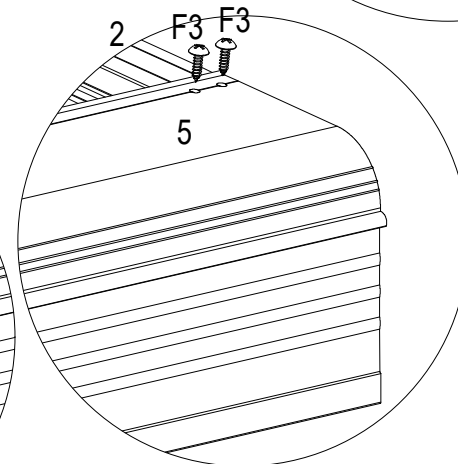
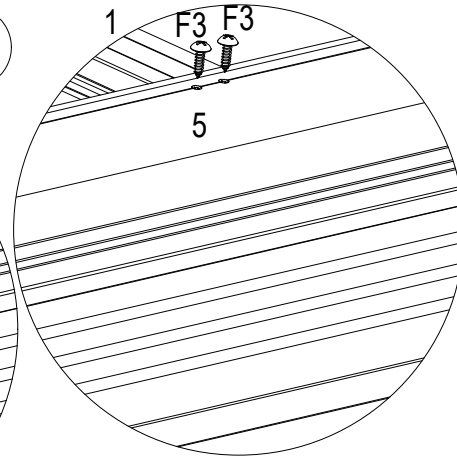
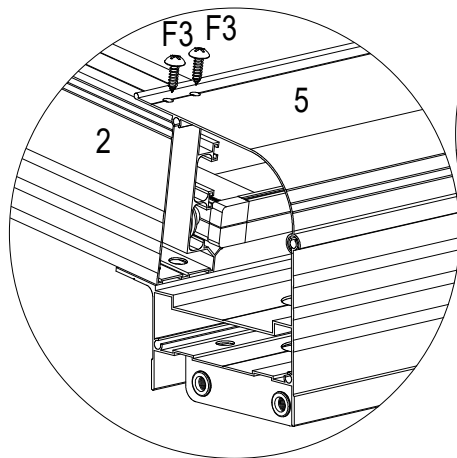
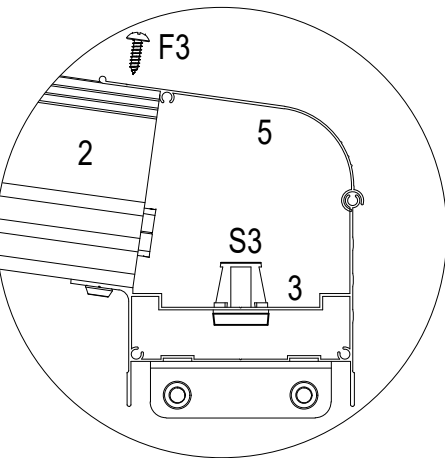


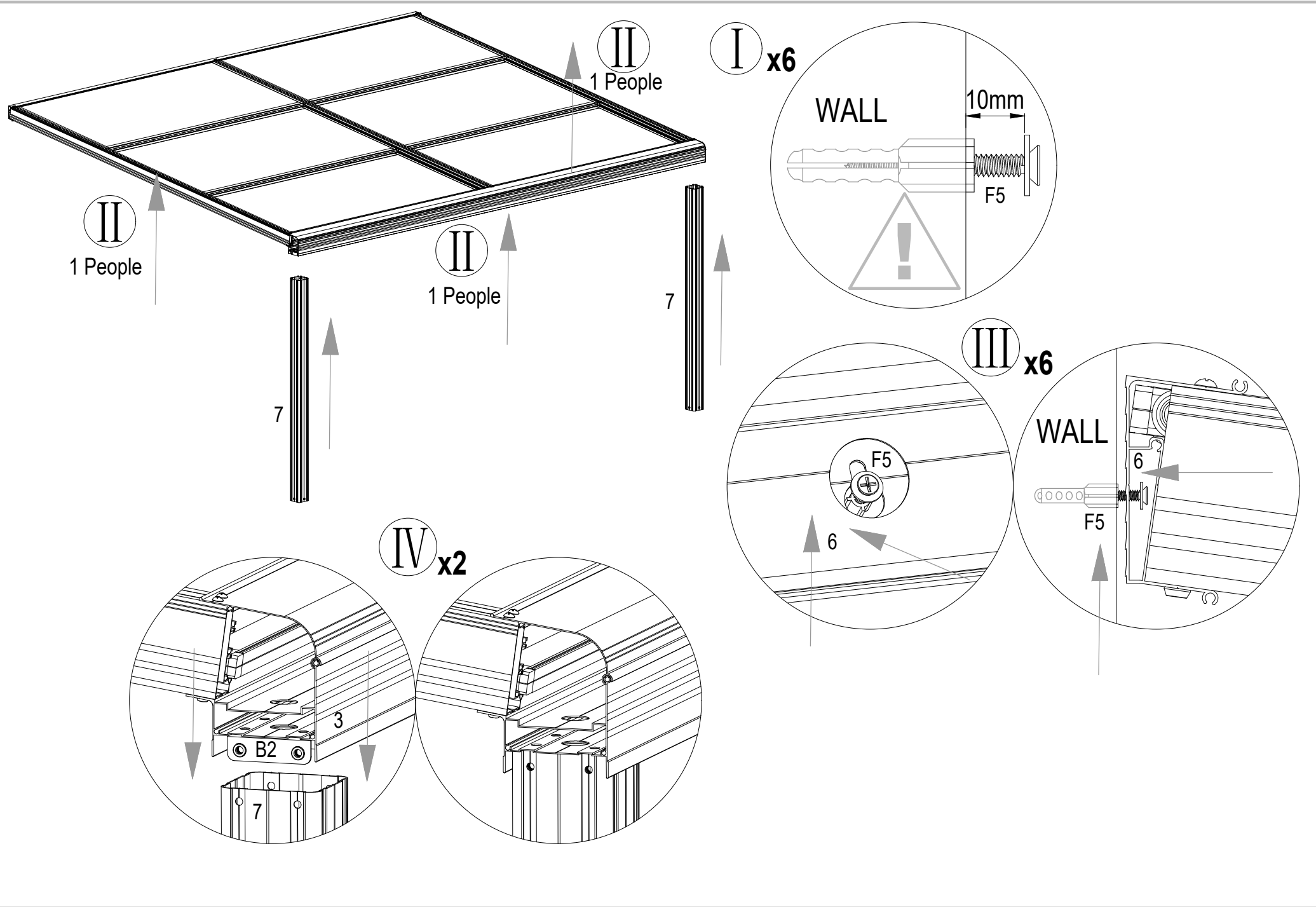


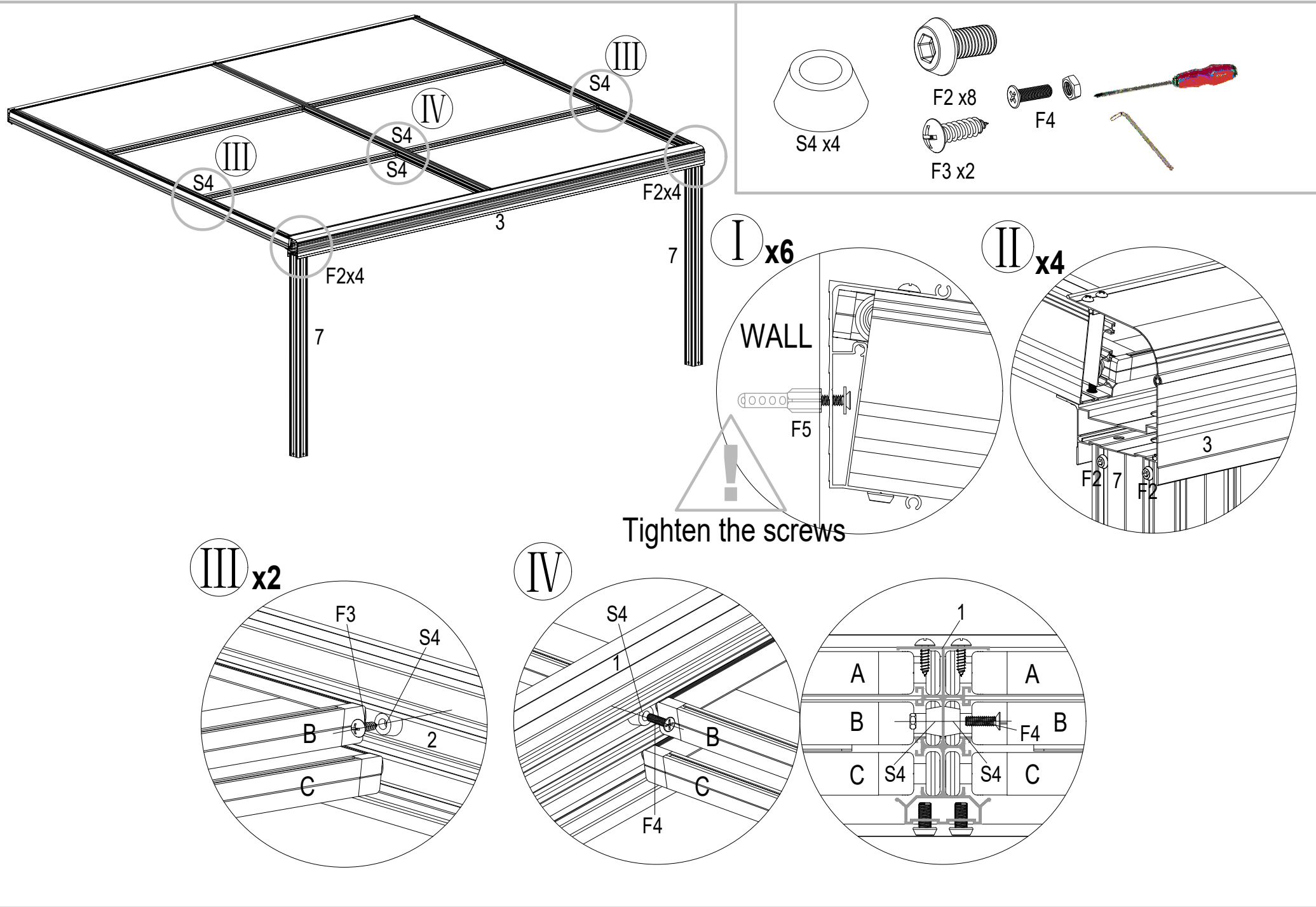


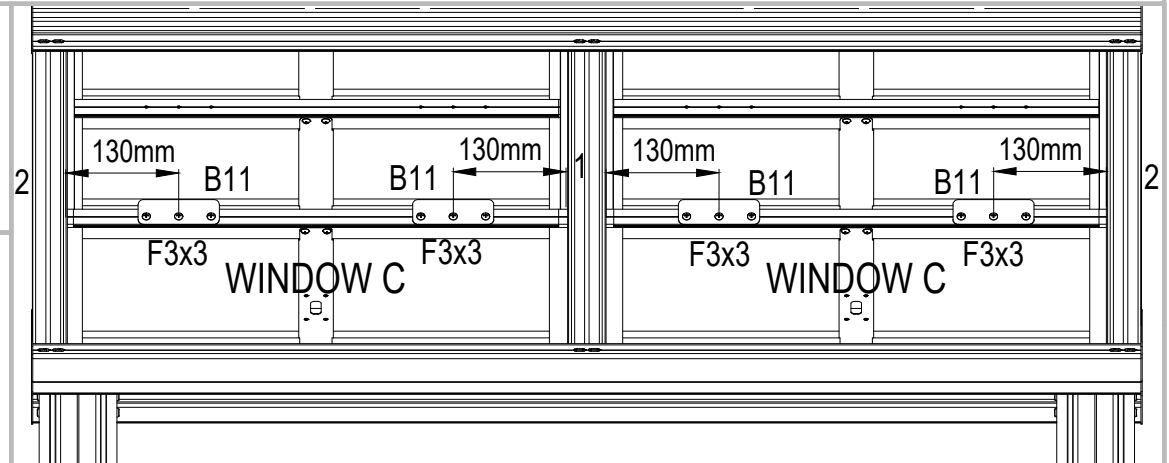
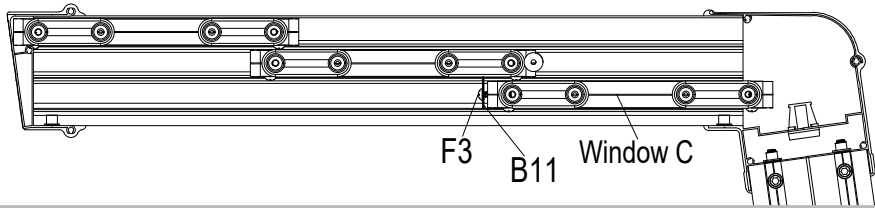
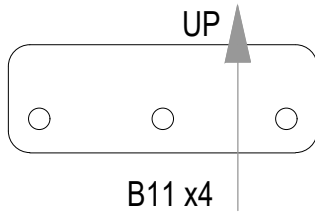


II

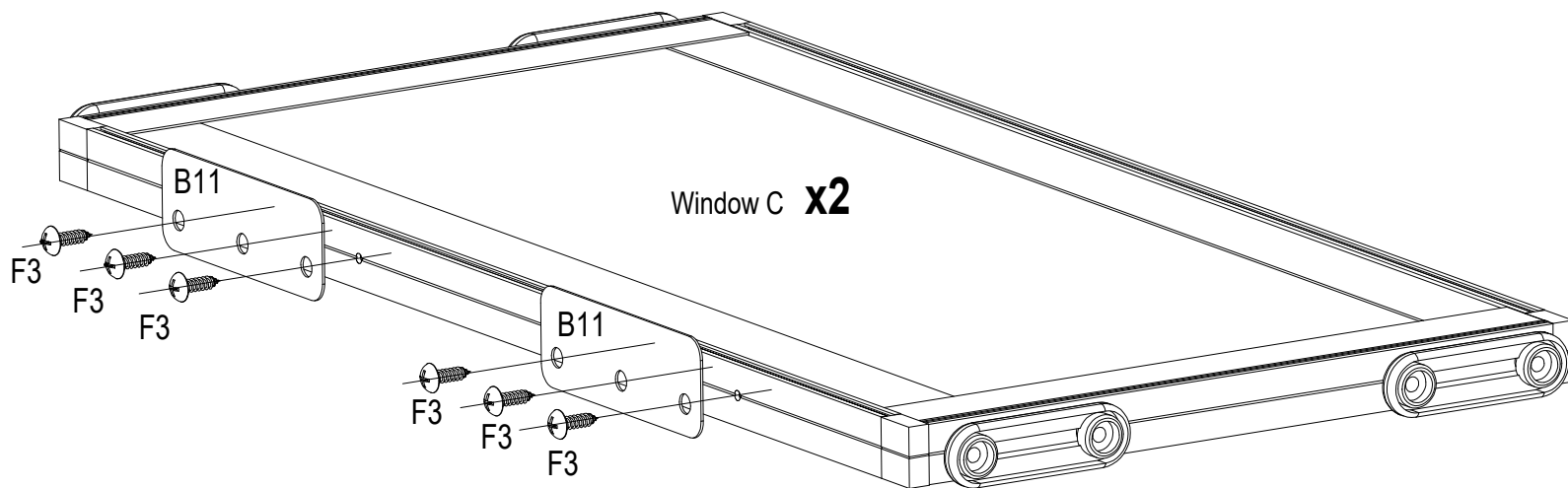
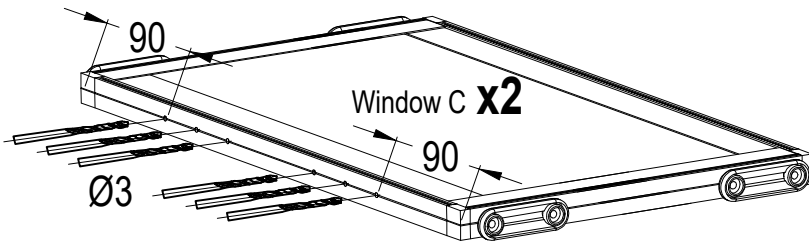


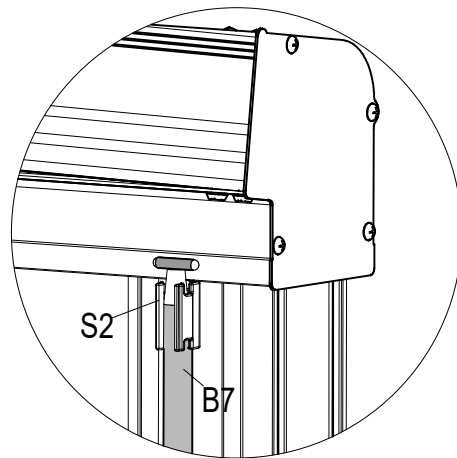
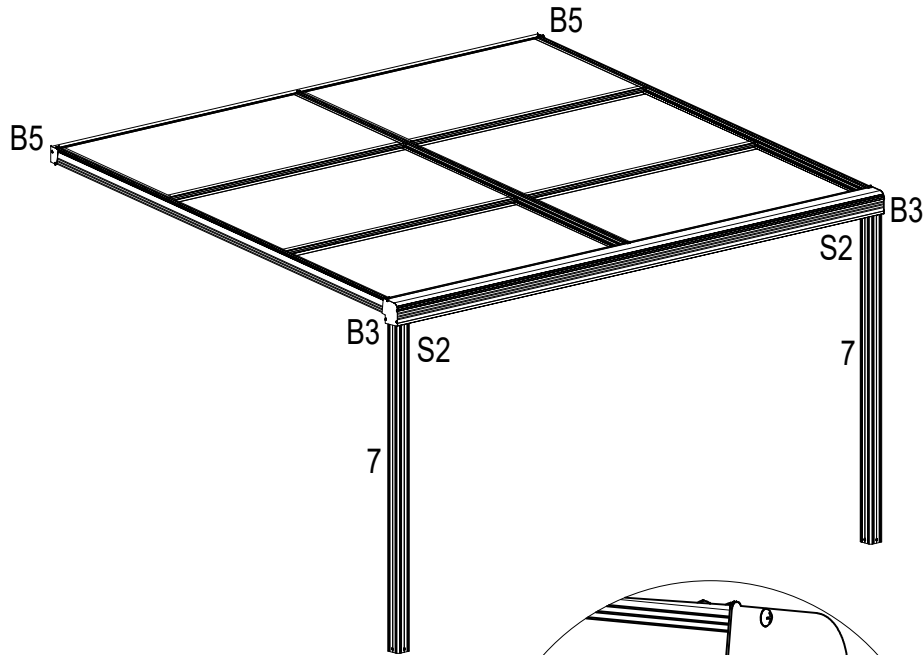
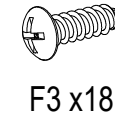
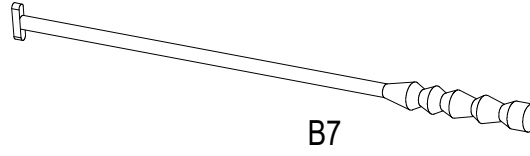
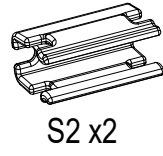
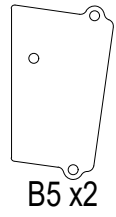
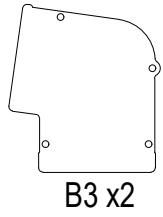




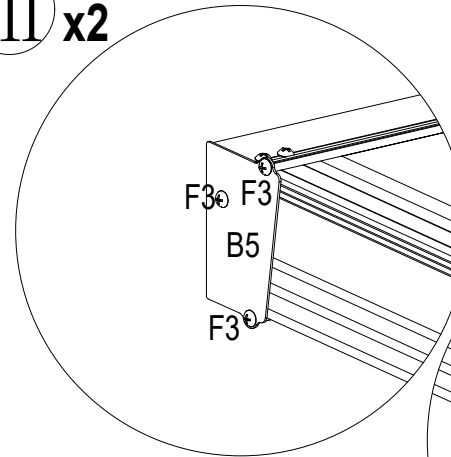


If the (window C) has 6 holes, you can ignore this step.

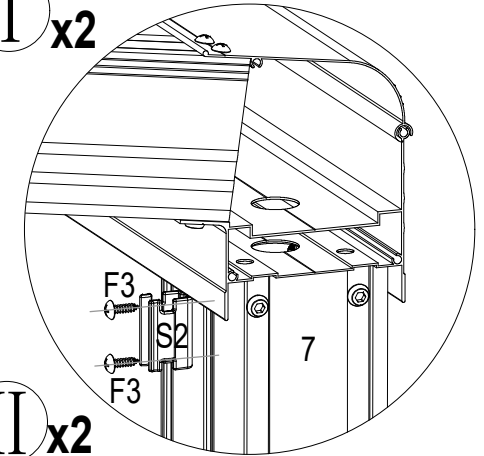




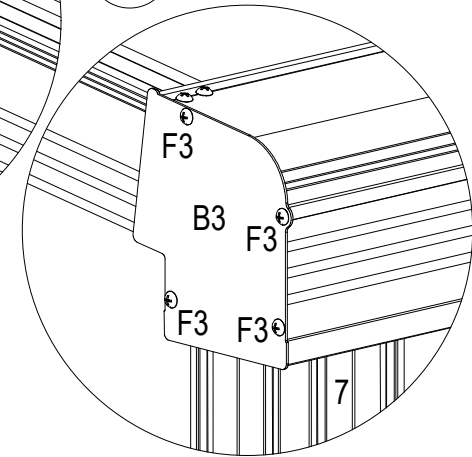
III x2

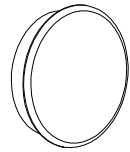


I x2

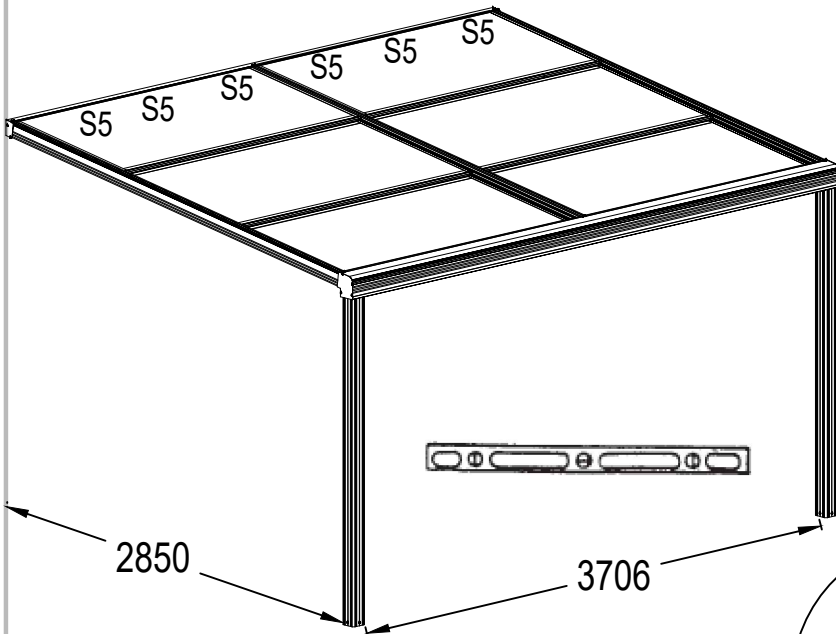
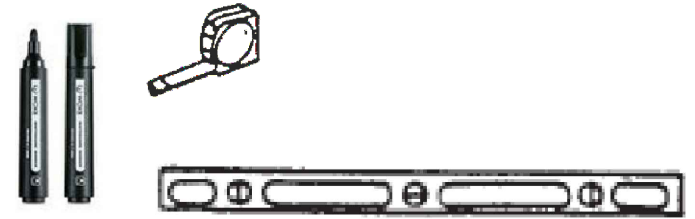


II x2

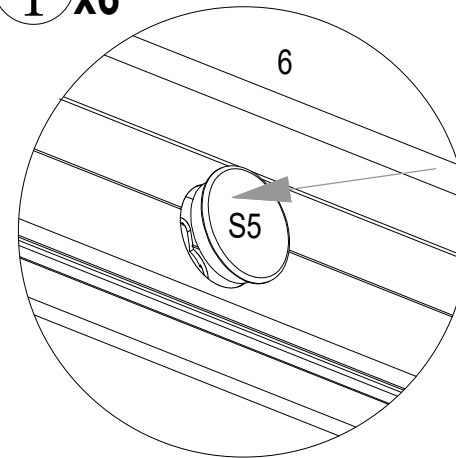




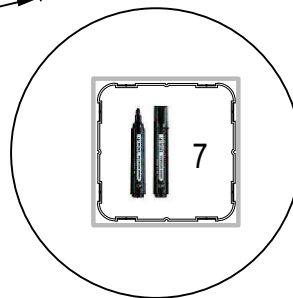
S5 x6



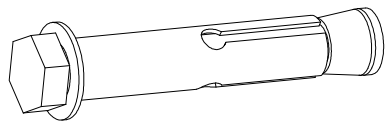
I x6



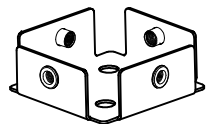
II x2



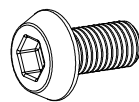
Pls ensure and mark the distance of two No.7 and the distance from wall.



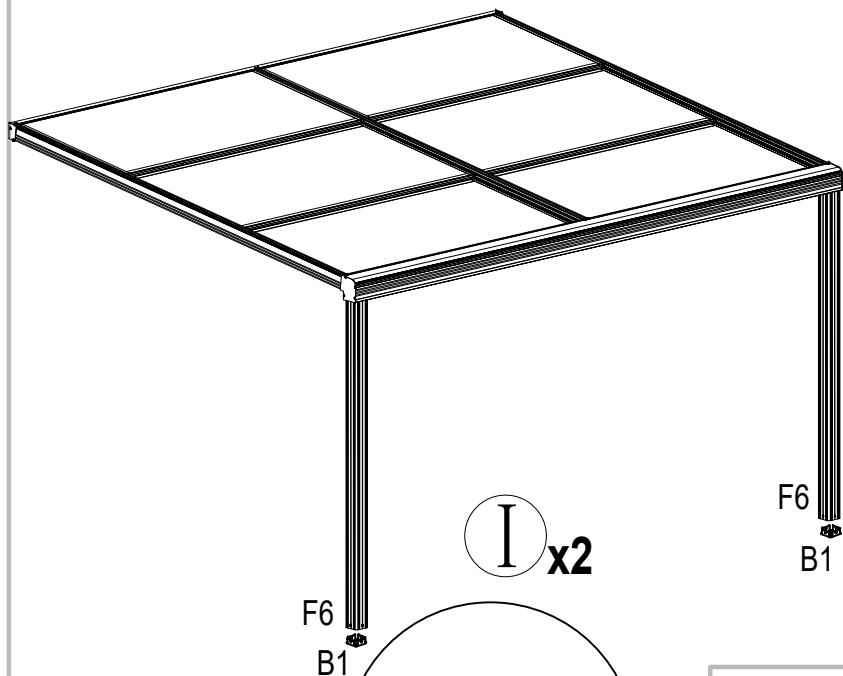
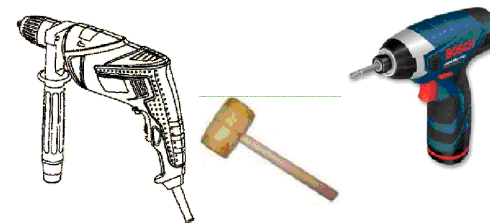
F6 x8



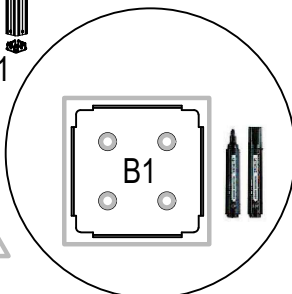
B1 x2



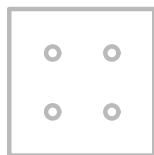
F2 x8



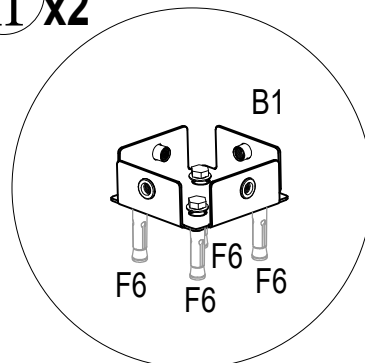
I x2



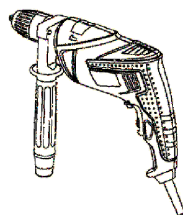
Move No.7 and use B1 to mark the required hole position in the middle of the drawing



II x2



Fixed screw should be purchased according to different ground



III x2

