

Rubberwood Tabletop & Stainless Steel 72" Rolling Workbench Cabinet With Pegboard

Model:TMG-WBC72S



- Please read the product manual completely before assembly
- Check against the parts list to make sure all parts are received
- Wear proper safety goggles or other protective gears while in assembly

Missing parts or questions on assembly?

Please call: 1-877-761-2819 or email: cs@tmgindustrial.com

Do not return the product to dealer, they are not equipped to handle your requests







TABLE OF CONTENT

Safety Symbols.....	2
Safety Instructions.....	3
Parts List.....	4
Assembly and Operation.....	6
ANTI TIPPING HARDWARE KIT.....	8
Maintenance and Safety.....	9

SAFETY SYMBOLS

 **CAUTION:**

1. Read and follow all safety and assembly instructions before using this product for the first time.
2. Fill in the following information and retain the manual for future reference:

	<p>Do not open more than one drawer at a time.</p>
	<p>Do not step on drawers.</p>
	<p>Do not allow children near the unit.</p>
	<p>Set the brake on the locking casters unless you are moving the unit.</p>
	<p>Lock drawers and lid before moving the unit.</p>
	<p>Do not lift unit by yourself.</p>

SAFETY INSTRUCTION

The purpose of safety symbols is to attract our attention to possible dangers. The safety symbols, and the explanations with them, deserve your careful attention and understanding. The symbol warnings do not by themselves eliminate any danger. The instructions and warnings they give are no substitute for proper accident prevention measures.



WARNING

Be sure to read and understand all safety instructions in this manual, including all safety alert symbols such as “DANGER,” “WARNING,” and “CAUTION,” before using this product. Failure to follow all instructions listed below may result in electric shock, fire and/or serious personal injury.

SYMBOL MEANING



SAFETY ALERT SYMBOL: Indicates DANGER, WARNING, or CAUTION.

May be used in conjunction with other symbols or pictographs.



DANGER:

Failure to obey this warning May result in serious injury to yourself or to others. Always follow the safety precautions to reduce the risk of personal injury.



CAUTION:

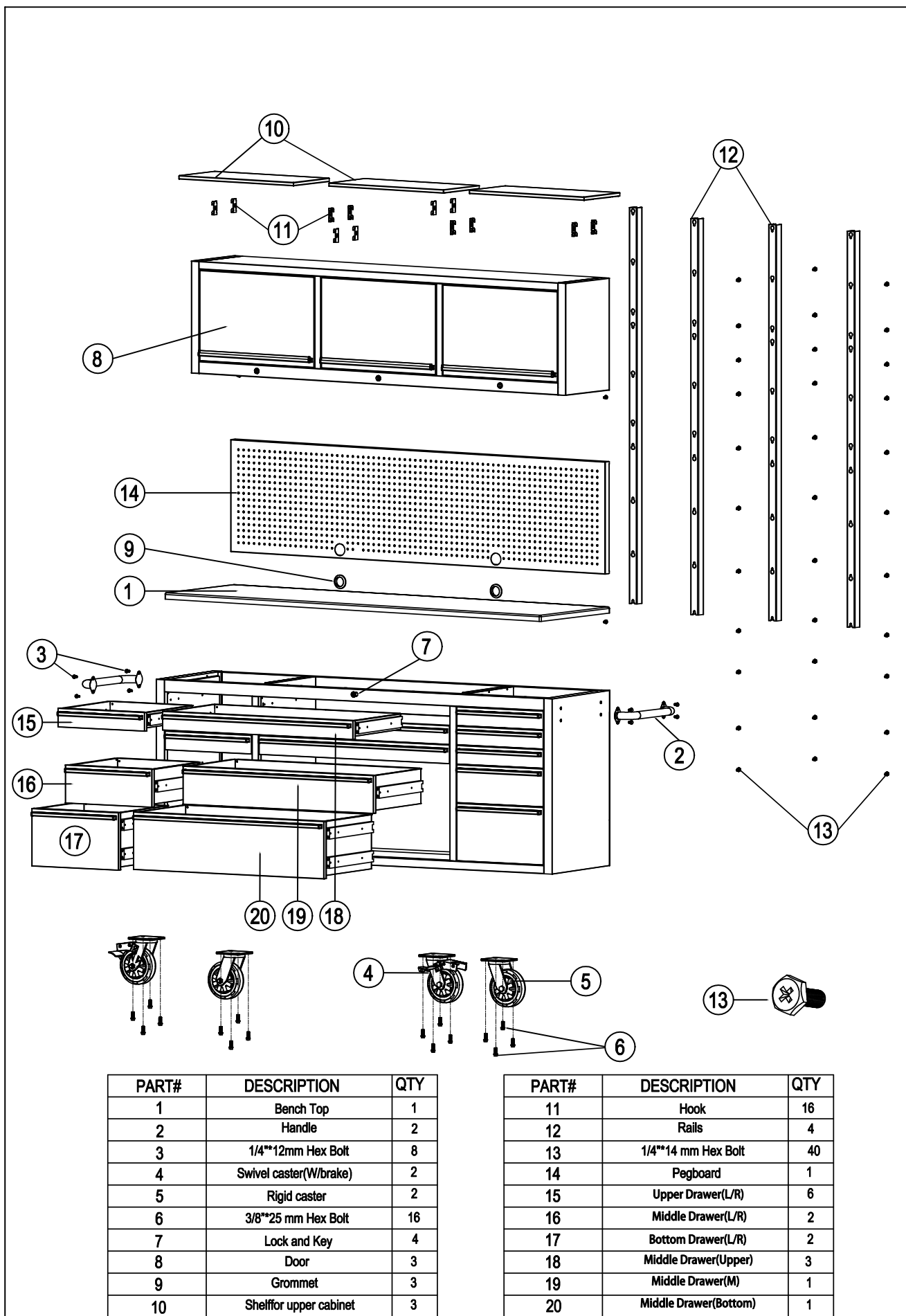
Failure to obey this safety warning MAY result in serious injury to yourself or to others. Always follow the safety precautions to reduce the risk of personal injury.



CAUTION:

Failure to obey this safety warning MAY result in personal injury to yourself or others or property damage. Always follow the safety precautions to reduce the risk of personal injury.

PARTSLIST



PART#	DESCRIPTION	QTY
1	Bench Top	1
2	Handle	2
3	1/4**12mm Hex Bolt	8
4	Swivel caster(W/brake)	2
5	Rigid caster	2
6	3/8**25 mm Hex Bolt	16
7	Lock and Key	4
8	Door	3
9	Grommet	3
10	Shefflor upper cabinet	3

PART#	DESCRIPTION	QTY
11	Hook	16
12	Rails	4
13	1/4**14 mm Hex Bolt	40
14	Pegboard	1
15	Upper Drawer(L/R)	6
16	Middle Drawer(L/R)	2
17	Bottom Drawer(L/R)	2
18	Middle Drawer(Upper)	3
19	Middle Drawer(M)	1
20	Middle Drawer(Bottom)	1

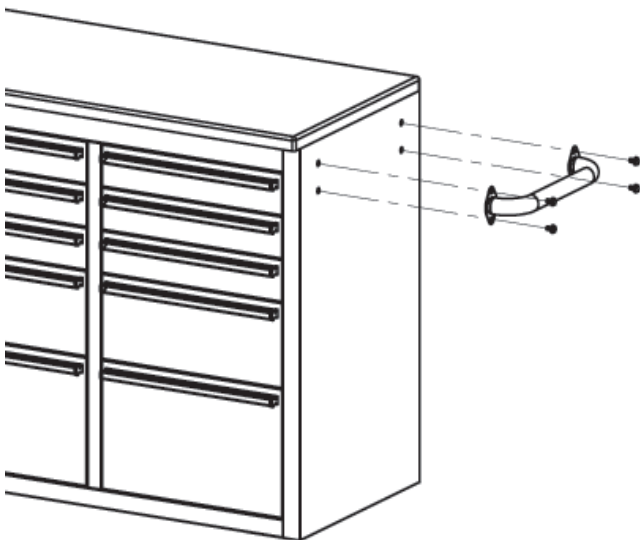
ASSEMBLY

NECESSARY TOOLS REQUIRED FOR ASSEMBLY

- 10 mm socket (for cabinet side handles)
- 12 mm socket
- screwdriver

INSTALL THE HANDLE

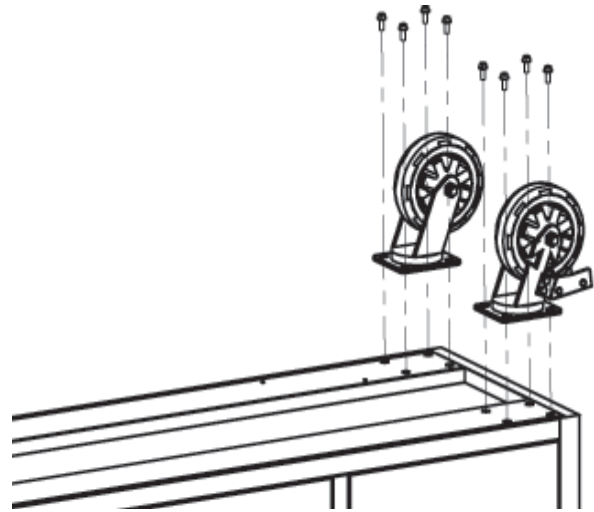
Position the handle over the holes and attach with the 1/4" * 14 mm hex bolts provided. Tighten securely using a 10 mm socket.



INSTALL THE CASTERS

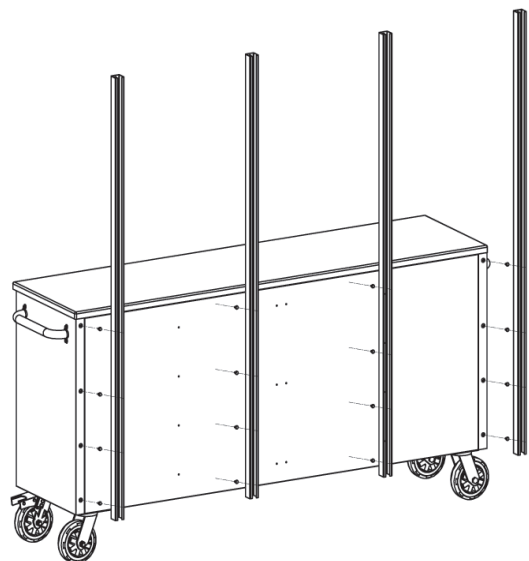
Carefully lay the cabinet on its back using a soft mat under the back for protection. Position two swivel casters on the bottom of the cabinet, on the right side (same side as the

handle). Insert 3/8" * 25 mm hex bolts through the casters and into the bottom of the cabinet. Tighten securely using a 12 mm socket. Repeat for the two rigid casters on the other side of cabinet.



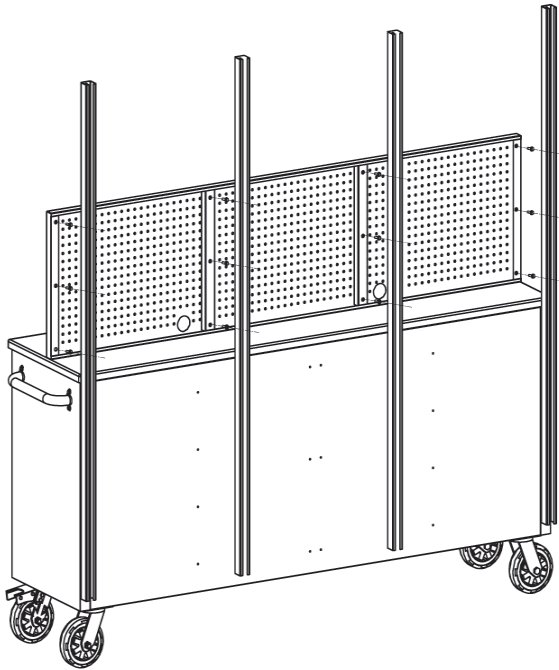
RAIL, PEGBOARD AND UPPER CABINET INSTALLATION

Attach the four rails to the tool cabinet with four 1/4" x 14 mm hex bolts each.



ASSEMBLY

Attach the pegboard to the rails with twelve 1/4" x 14 mm hex bolts.



NOTE:

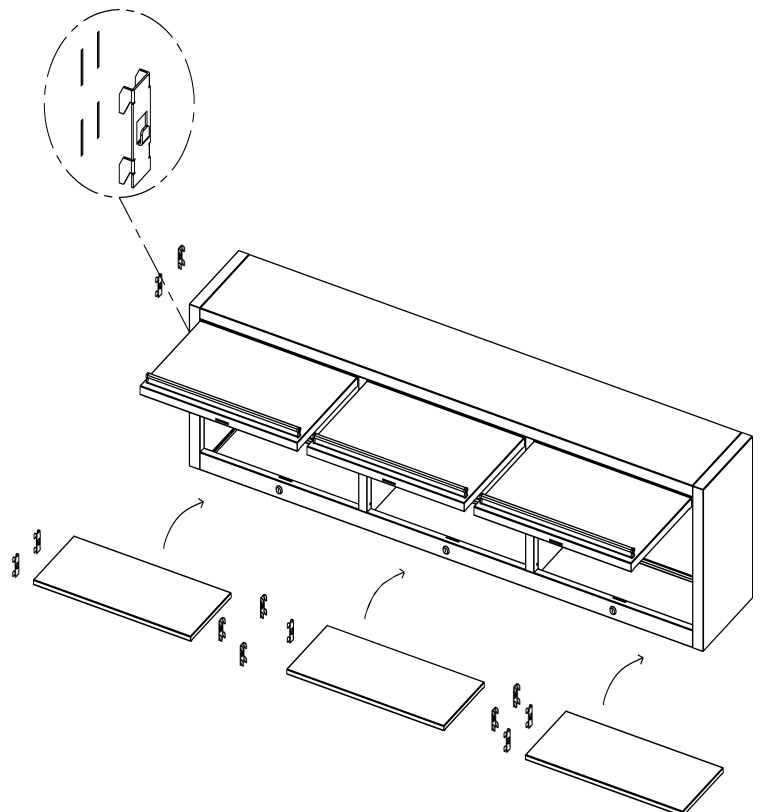
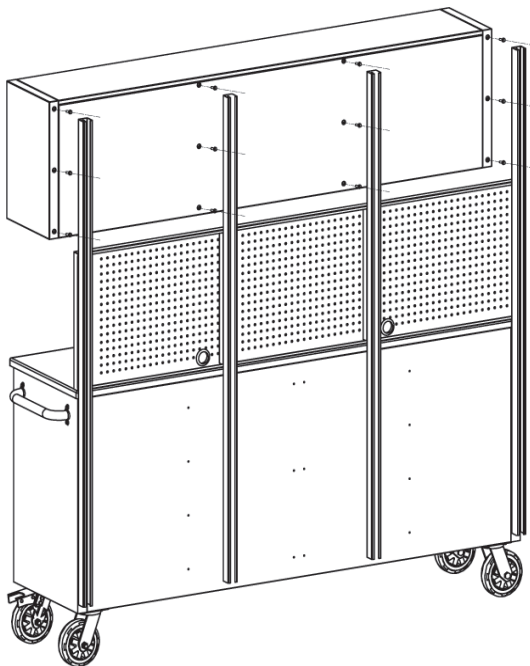
Depending on the thickness of the countertop, The rear support is raised upward to the hole position connection of the back plate.



SHELF ASSEMBLY

Insert four hooks inside the upper cabinet at the desired height. Place the shelf on the shelf supports. Repeat for the other shelves

Attach the upper cabinet to the rails with twelve 1/4" x 14 mm hex bolts.

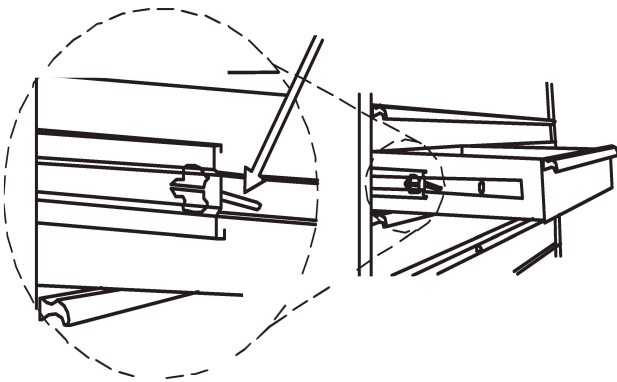


ASSEMBLY AND OPERATION

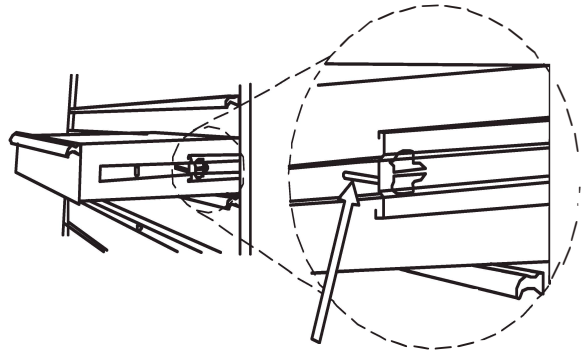
TO REMOVE DRAWERS

Pull the drawer out so it is almost fully extended. **PUSH UP ON THE LEFT** hand black release lever, while **PULLING DOWN ON THE RIGHT** hand black release lever. While holding the levers in the positions as instructed above, pull the drawer outward until it is released from the drawer slide.

PUSH UP (LEFT HAND SIDE)



PULL DOWN (RIGHT HAND SIDE)



TO REPLACE DRAWERS

Extend the drawer slides from the tool chest. Insert the brackets on each cabinet slides, being careful that they are positioned properly. Once properly inserted, completely close the drawer to set the slides in their proper positions.

ANTI TIPPING HARDWARE KIT

UWST072DOG



WARNING

PLEASE NOTE: WE STRONGLY RECOMMEND THAT THIS PRODUCT IS PERMANENTLY FIXED TO A WALL. PLEASE USE THE PROVIDED "TIP OVER PREVENTION KIT" TO SECURELY FIX PRODUCT TO YOUR WALL.



A x 2



B x 2



C x 2



D x 2



E x 2

IT IS STRONGLY RECOMMENDED THAT YOU ANCHOR THIS PRODUCT.

TOPPLING FURNITURE CAN CAUSE SERIOUS INJURIES AND DEATH.

A "TIP OVER PREVENTION KIT" HAS BEEN PROVIDED WITH THIS PRODUCT TO STOP YOUR FURNITURE FROM TIPPING FORWARD. IT IS STRONGLY RECOMMENDED THAT YOU SECURELY ATTACH THIS PRODUCT TO A WALL OR OTHER SOLID SURFACE USING THE PROVIDED FIXINGS.

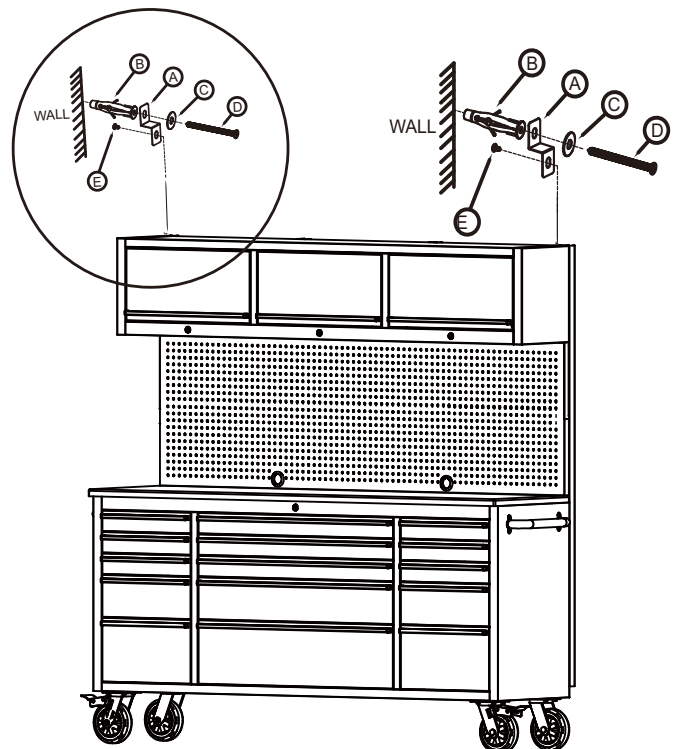
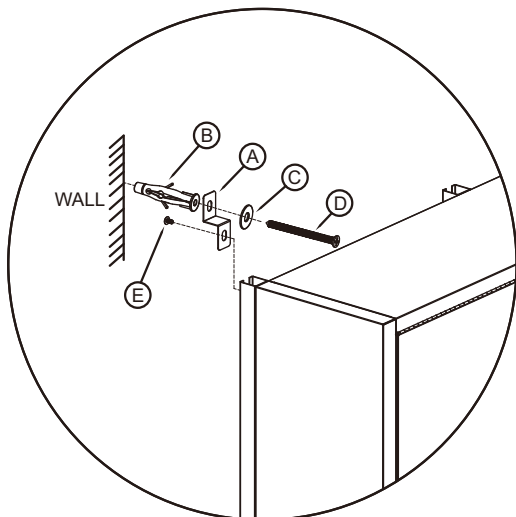
IMPORTANT: REGULARLY CHECK THAT ANCHORS ARE SECURELY MAINTAINED. STABILITY OF TALL ITEMS MAY BE AFFECTED BY THICK PILE CARPET OR UNEVEN FLOORS.

CAUTION:

FOR YOUR SAFETY WHEN ATTACHING THE ANCHOR FIXINGS, PLEASE NOTE THE FOLLOWING:

- CHECK FOR ANY ELECTRICAL WIRES OR PLUMBING INSIDE THE WALL BEFORE DRILLING ANY HOLES (IF YOU ARE UNSURE PLEASE SEEK PROFESSIONAL ADVICE FROM A QUALIFIED TRADESPERSON)
- WALLS ARE CONSTRUCTED FROM DIFFERENT MATERIALS, FOR EXAMPLE, MASONRY (SOLID BRICK) OR PLASTERBOARD LINED CAVITY WALLS (HOLLOW). IT IS IMPORTANT THAT YOU USE THE APPROPRIATE FIXINGS FOR YOUR WALL TYPE.

Installation for Brick, Masonry Wall and Plaster Wall



MAINTENANCE

For casters, use high quality bearing grease(annually/yearly).

Lubricate the slides (twice a year) with a product like WD40 or other quality lubricant. This is especially important when the temperature decreases, as the bearing can become stiff.

Periodically the drawer fronts, drawer trim, and other surfaces should be cleaned with mild detergent and water.

Using solvents of any kind on the wood top may damage the finish. Liquid spills should be removed immediately. Using a soft clean cloth, blot the spill gently. Avoid rubbing.

SAFETY



WARNING

Lock the drawers before moving this product. The drawers could come open and make the product unstable and tip, which may cause personal injury or product damage.



CAUTION: The maximum

weight for each drawer should be no more than 100 lbs.



CAUTION:

The maximum product weight, including contents, should be no more than 2000 lbs for roller cabinets.



WARNING

DO NOT attempt to lift the cabinet by its side handles using chains, ropes or other lifting devices. Use a forklift placed under the bottom of the cabinet. The side handle could fail, which may cause personal injury or damage to the product.



WARNING

DO NOT stand on this product or lean on the worktop.



WARNING

WEAR SAFETY GLASSES when removing or re-positioning the slides. The tool could slip, which may cause personal injury.



CAUTION:


When moving this product, do not pull it. Push the product to prevent personal injury.





CAUTION:


USE THE BRAKES when not moving this product. This will prevent the product from rolling, which may cause personal injury or product damage.


MAINTENANCE AND SAFETY


 **CAUTION:** BE CAREFUL when opening more than one drawer. The product could become unstable and tip, which may cause personal injury or product damage.

 **WARNING** DO NOT mount this product on a truck bed or any other moving object. This may cause personal injury or product damage.

 **CAUTION:** Secure this product properly before moving it with a forklift.

 **WARNING** DO NOT tow with power equipment. The product could tip, which may cause personal injury or product damage.

 **CAUTION:** DO NOT alter this product in any manner. For example, do not weld external lock bars or attach electrical equipment. This may cause product damage or personal injury.

 **CAUTION:** Keep this product on level surfaces. The product may become unstable and tip if stored or moved on an uneven surface, which may cause personal injury or product damage.