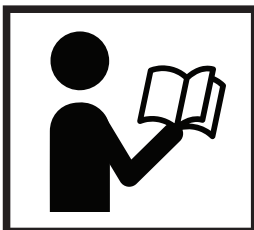


10' HEAVY-DUTY STEEL GARAGE WORKBENCH



⚠ WARNING

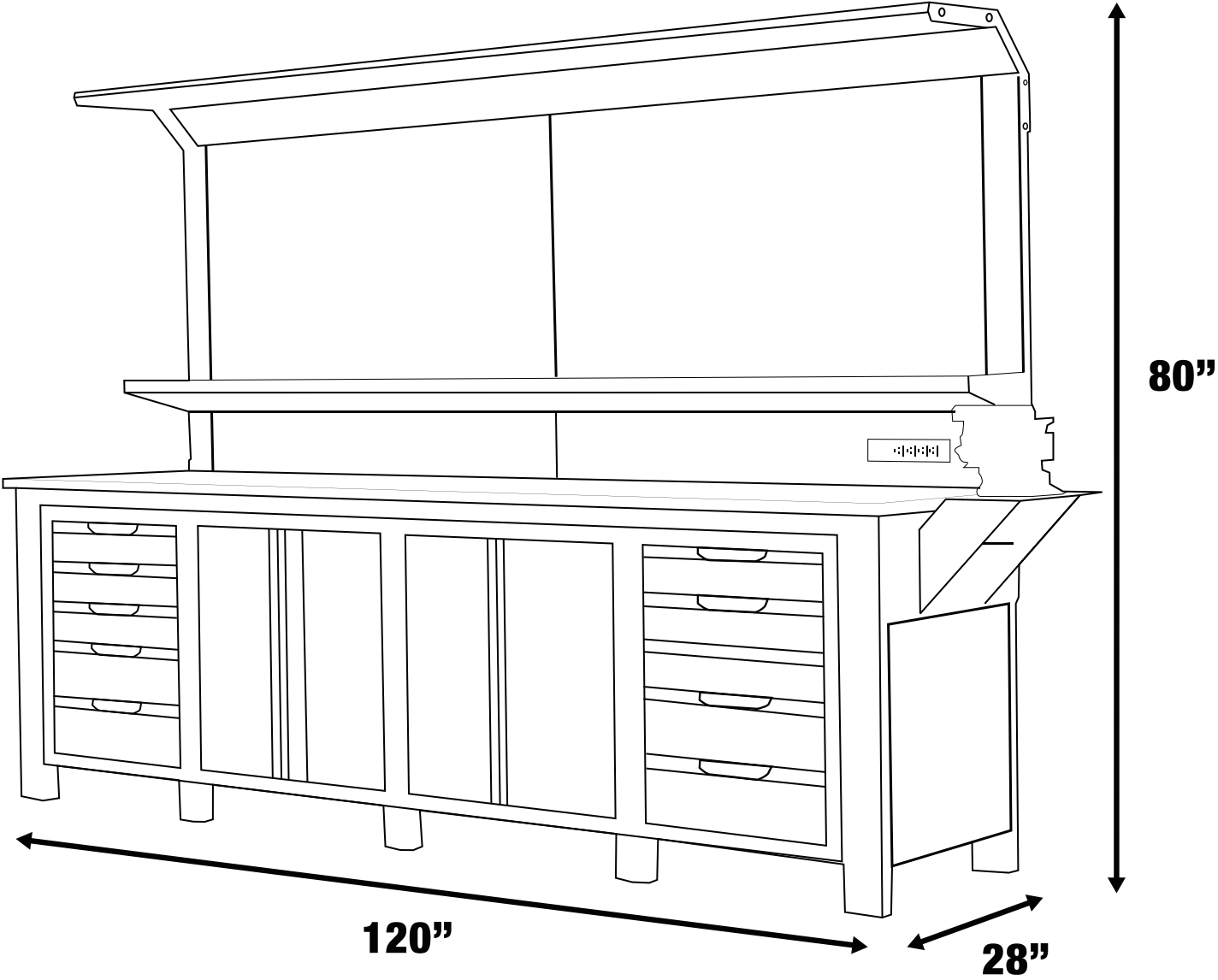


- Please read and understand the product manual completely before assembly
- Check against the parts list to make sure all parts are received
- Wear proper safety goggles or other protective gears while in assembly
- Do not return the product to dealer. They are not equipped to handle your requests.

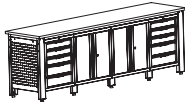
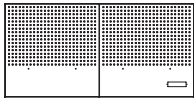
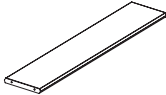

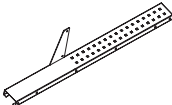
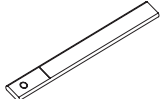
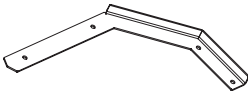
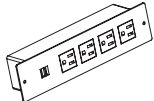

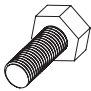
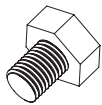

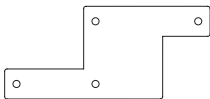
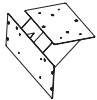
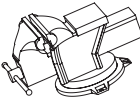
Missing parts or have questions on assembly?

Please call: 1-877-761-2819 or email: cs@tmgindustrial.com

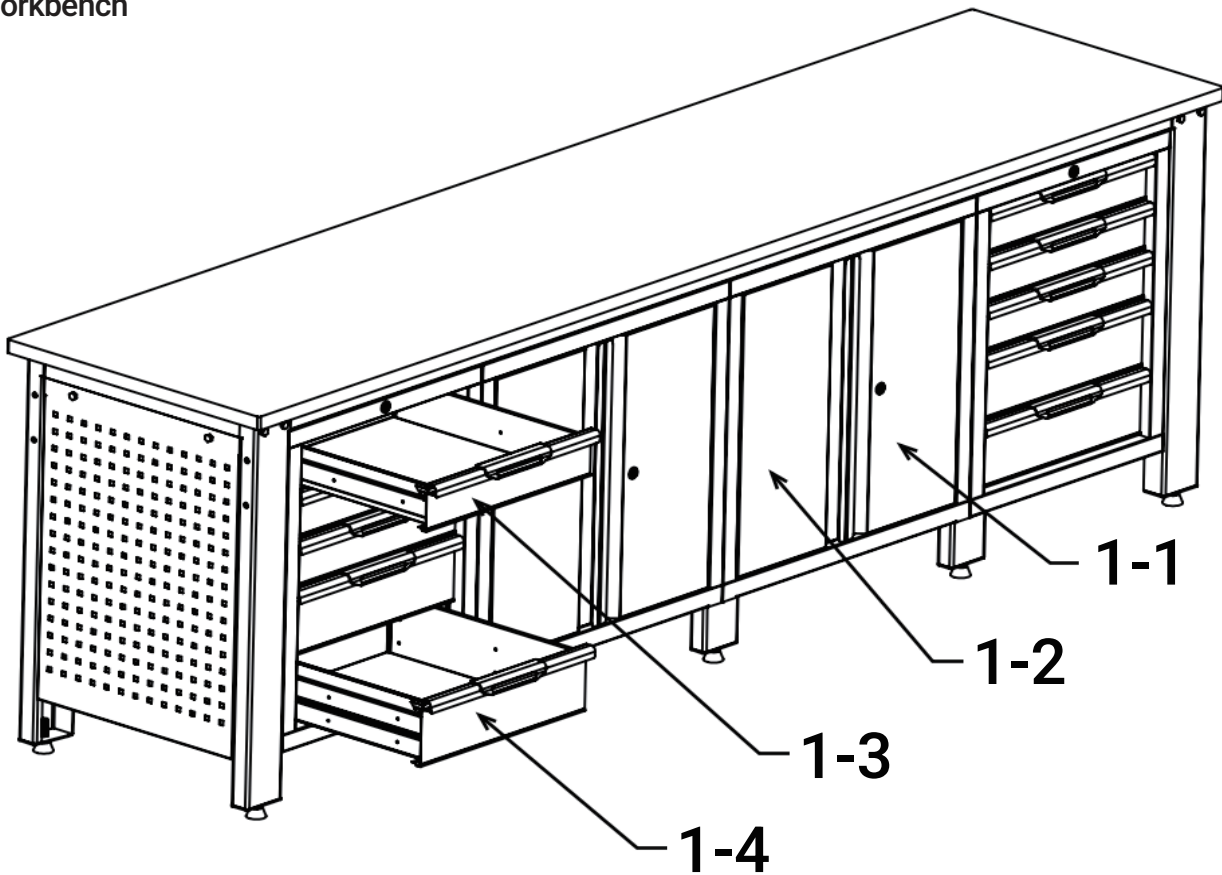
Frame structure diagram

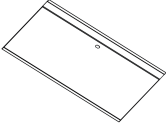
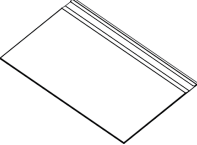
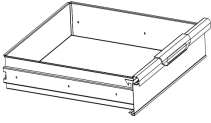
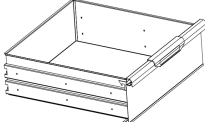


ACCESSORIES LIST

TMG-WBC10PART LIST				
NO.	PICTURE	DESCRIPTION	QUANTITY	LENGTH
1		Workbench	1	2850X923X670mm
2		Hanging panel	1	2608X986X40mm
3		Lampshade	1	2808X316X40mm
4		Storage table	1	2801X250X100mm
5		Strengthen groove	1	2602X80X40mm
6		Hanging panel column	2	1086X100X290mm
7		LED light	3	400X43X13mm
8		Lampshade connector	2	446X272X23mm
9		Socket	1	229X55X40mm
10		Key	6	38X23X10mm
11		M8*20 screw	26	M8X20mm
12		M8*10 screw	14	M8X10mm
13		M8 Nut	30	M8
14		Z connector	2	260X117X3mm
15		Bench Vise base	1	597X287X267mm
16		Bench Vise	1	350X220X195mm

Workbench



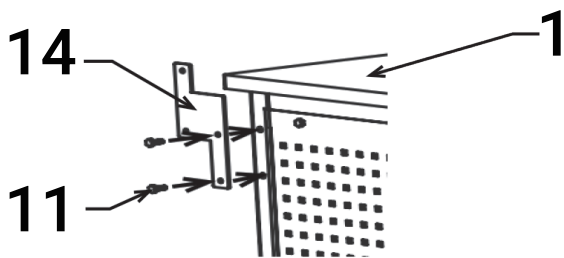
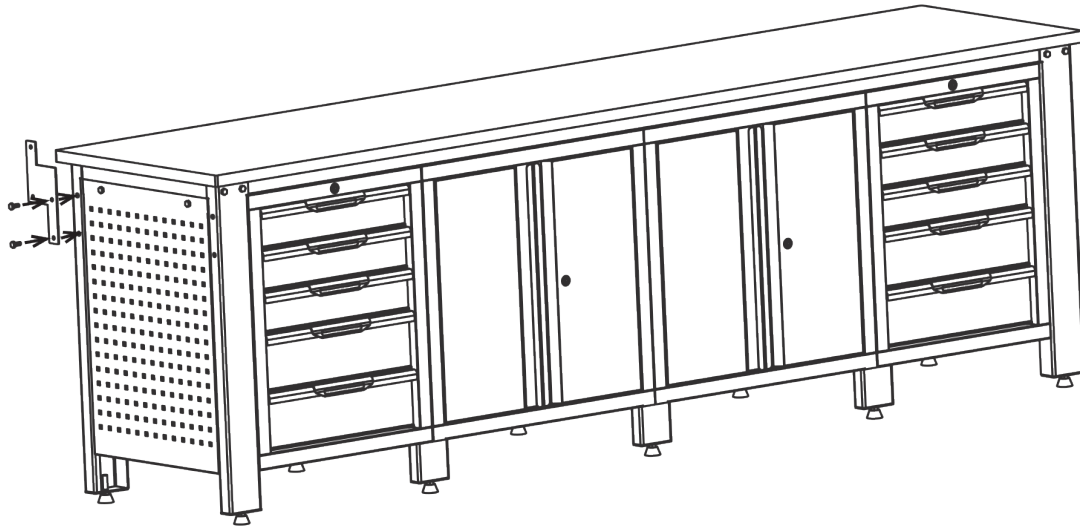
NO.	PICTURE	DESCRIPTION	QUANTITY	LENGTH
1-1		Right door	2	320x634x20mm
1-2		Left door	2	330x634x20mm
1-3		Small drawe	6	485x107x527mm
1-4		big drawe	4	485x150x527mm

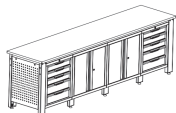
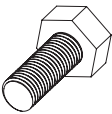
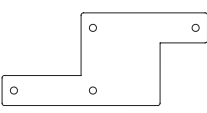
TMG-WBC10

INSTALLATION INSTRUCTIONS

STEP1

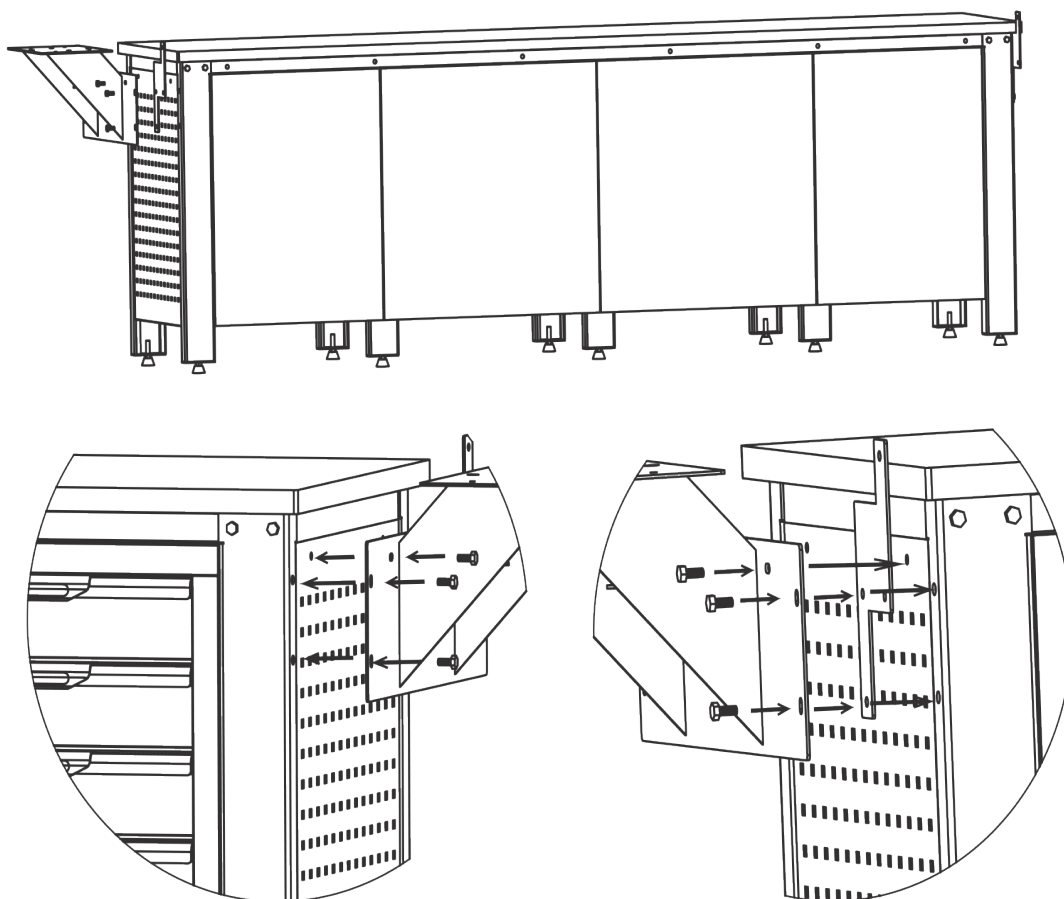
Connect the hanging panel column to the workbench with M8*20 screw in the direction of the arrow as show in the figure.

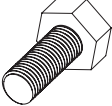
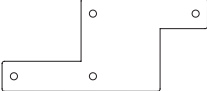
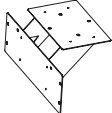


No.	Part	Qty
1		1
11		4
14		1

STEP2

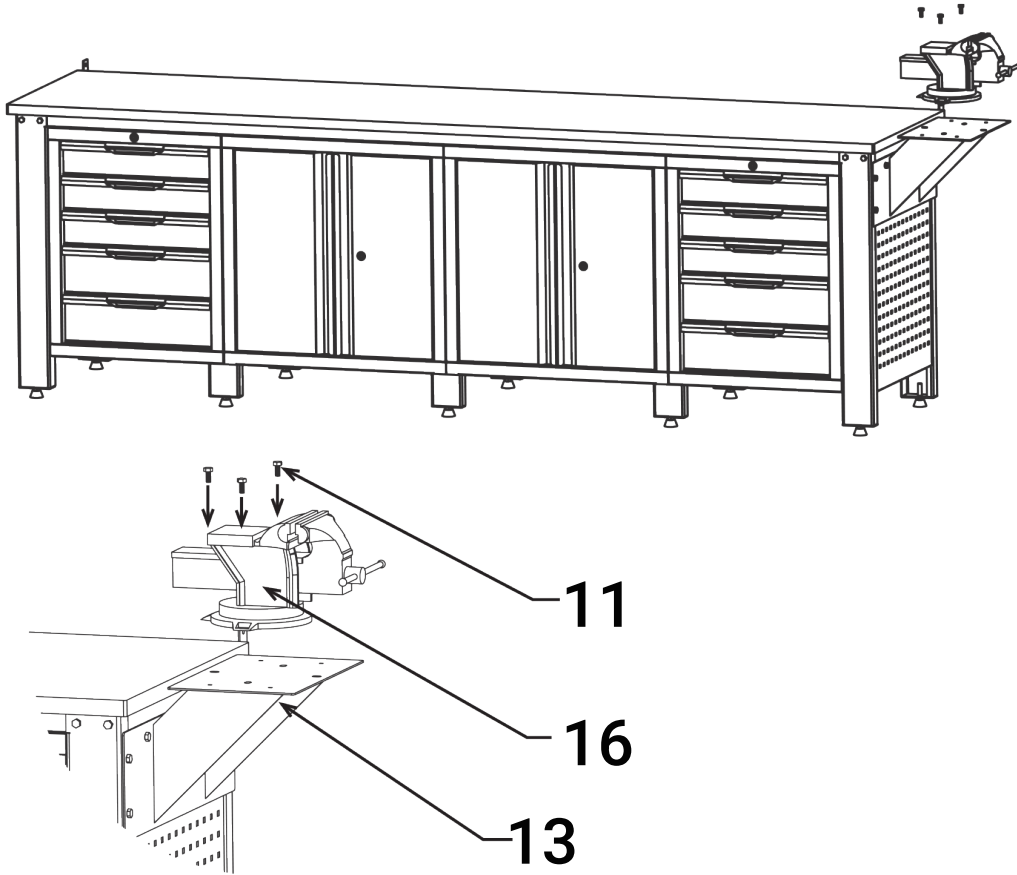
Connect the bench vise base to the workbench with M8*20 screws.

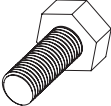




No.	Part	Qty
11		6
14		1
15		1

STEP3

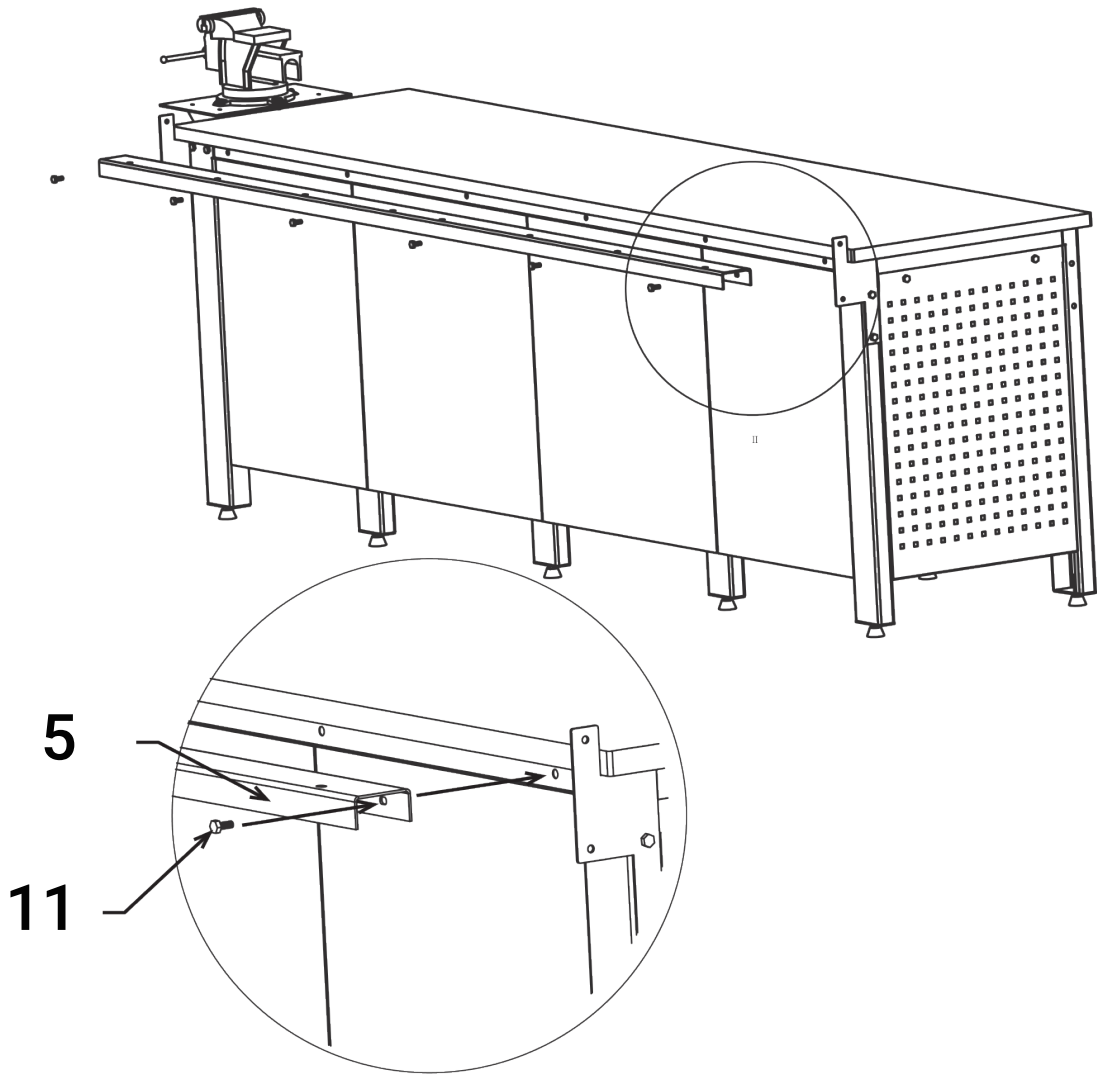
Place the bench vise to bench vise base in the direction of the arrow, keep it flat and connect them with M8*20 screw and M8 nut.

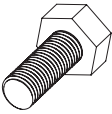
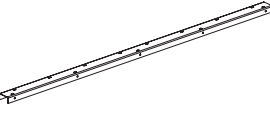


No.	Part	Qty
11		3
13		3
16		1

STEP4

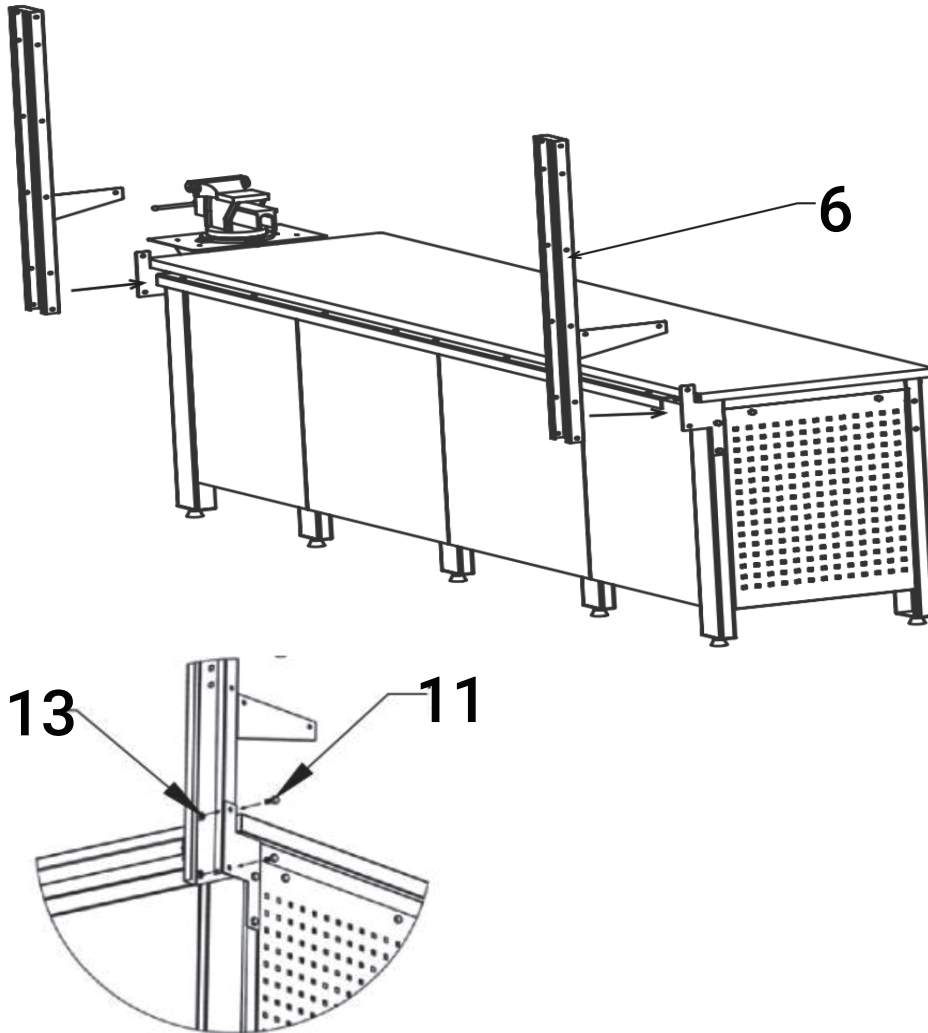
As shown in the figure,secure the hanging panel strengthen groove with M8*20 screws to the work-bench.

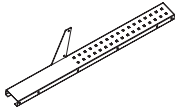
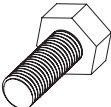



No.	Part	Qty
11		6
5		1

STEP5

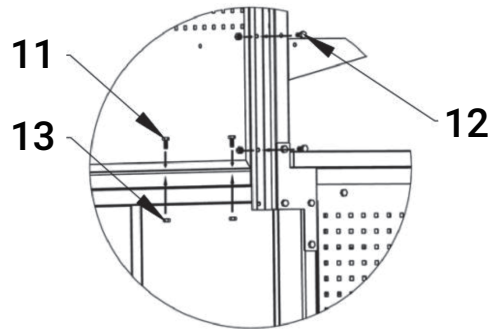
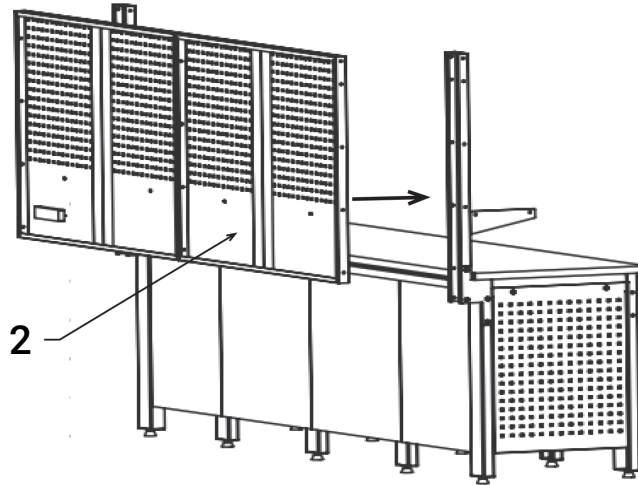
Move the hanging panel column to the designated position of the workbench as indicated by the arrow, and tighten and reinforce it with the M8*20 screw and M8 nut.

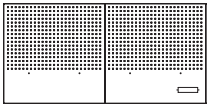
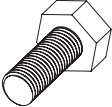
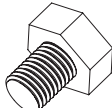



No.	Part	Qty
6		2
11		4
13		4

STEP6

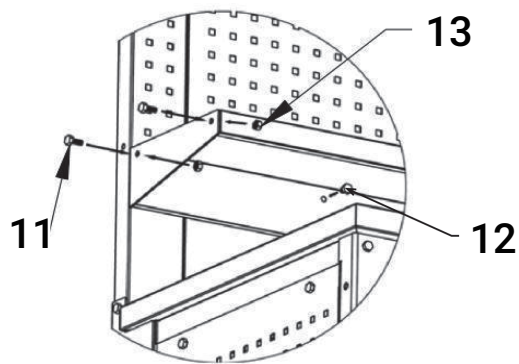
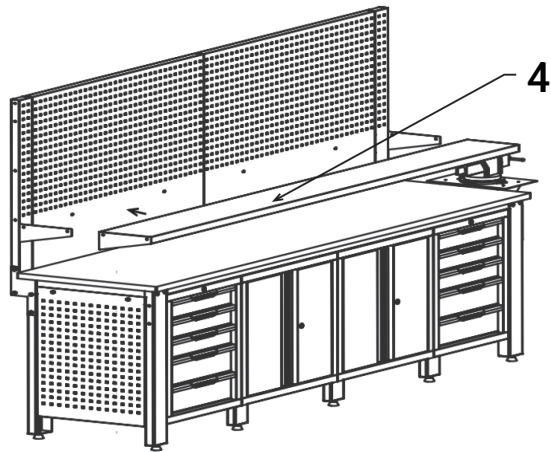
As shown in the figure, move the hanging panel to the column according to the instructions of the arrow, fix the hanging panel and the column with M8*10 screws and M8 nuts according to the figure, and connection between the hanging panel and the strengthen groove is fix with M8*20 screws and M8 nuts.


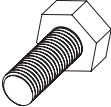

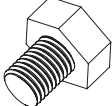


No.	Part	Qty
2		1
11		8
12		10
13		18

STEP7

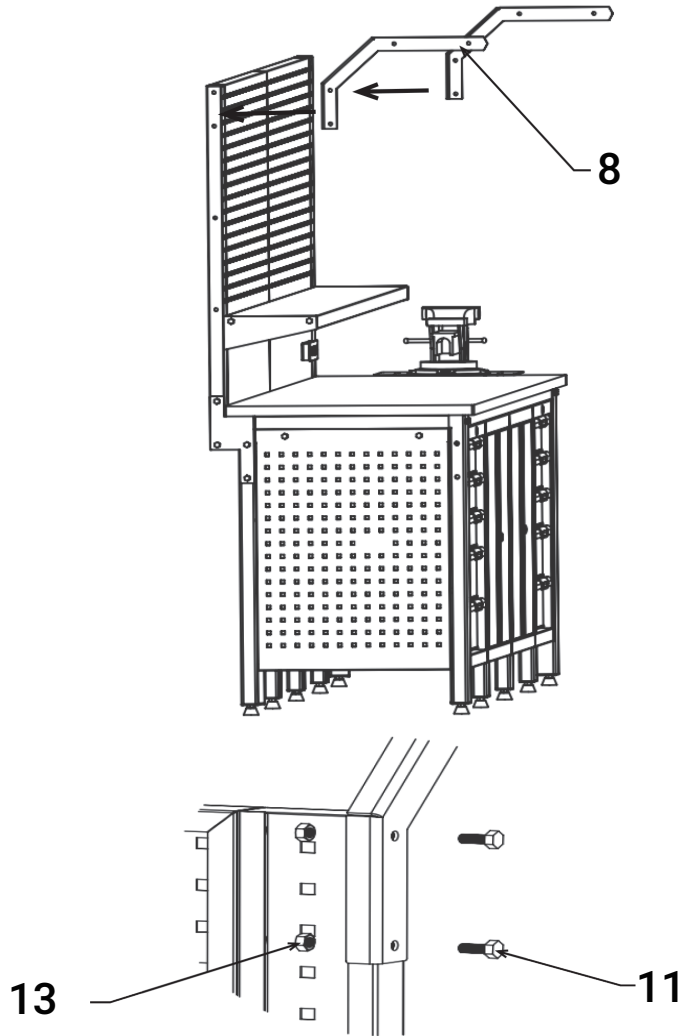
Please connect the storage table to the hanging panel, tighten and strengthen the hanging panel and the column with M8*20 screws and M8 nuts in the direction indicated by the display arrow show in the figure, and hanging panel connection with M8*10 screws and M8nuts.

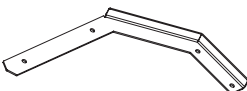
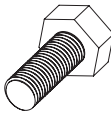



No.	Part	Qty
4		1
11		4
13		8
12		4

STEP8

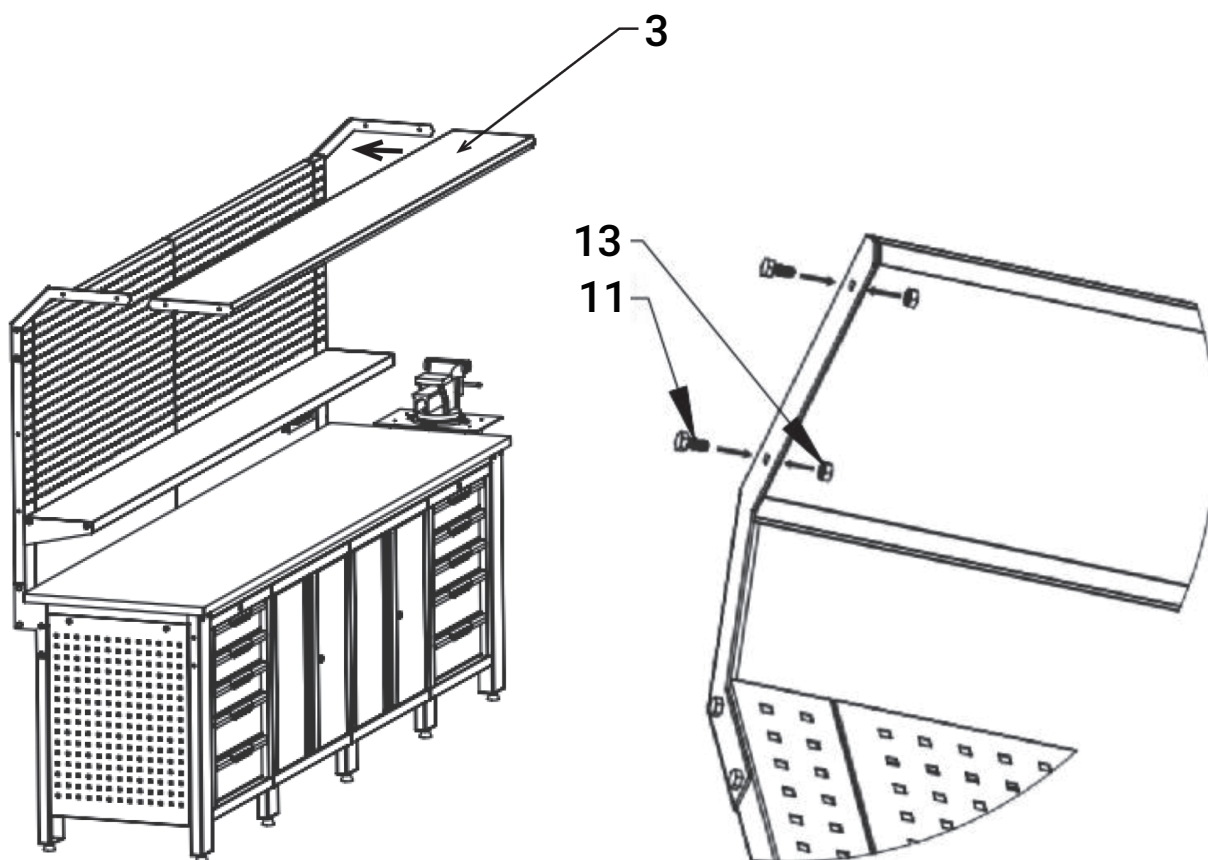
Secure the lampshade connector to the hanging panel column with M8*20 screws and M8 nuts as indicated in the figure.

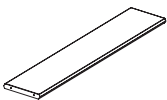
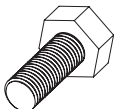



No.	Part	Qty
8		2
11		4
13		4

STEP9

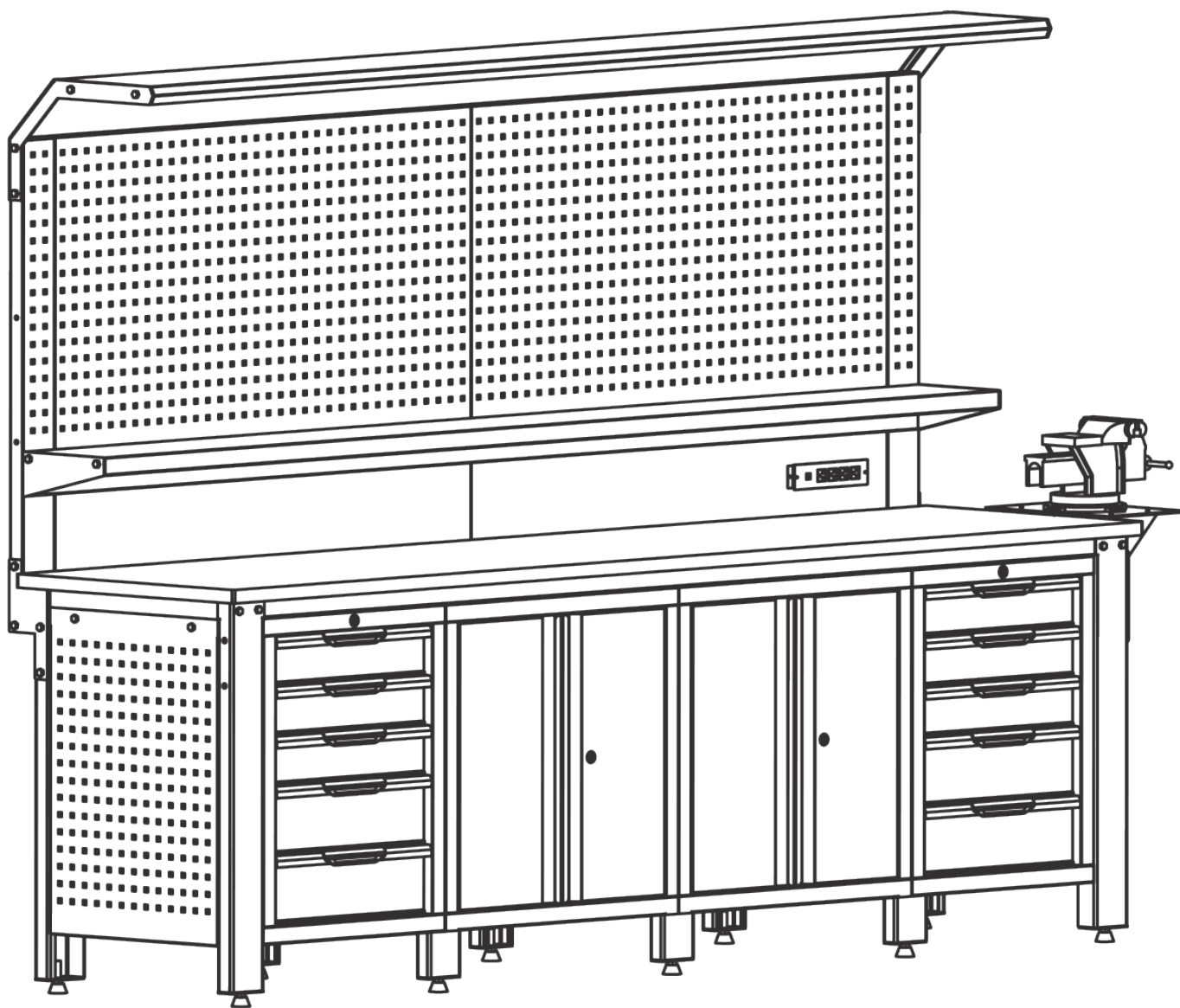
Connect the lampshade with M8*20 screws and M8 nuts.



No.	Part	Qty
3		1
11		4
13		4

STEP10

Installation is completed



Front view

