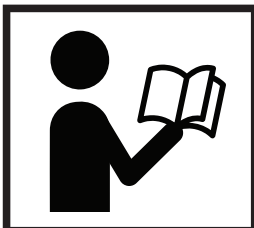


# 7' HEAVY-DUTY STEEL GARAGE WORKBENCH



## ⚠ WARNING

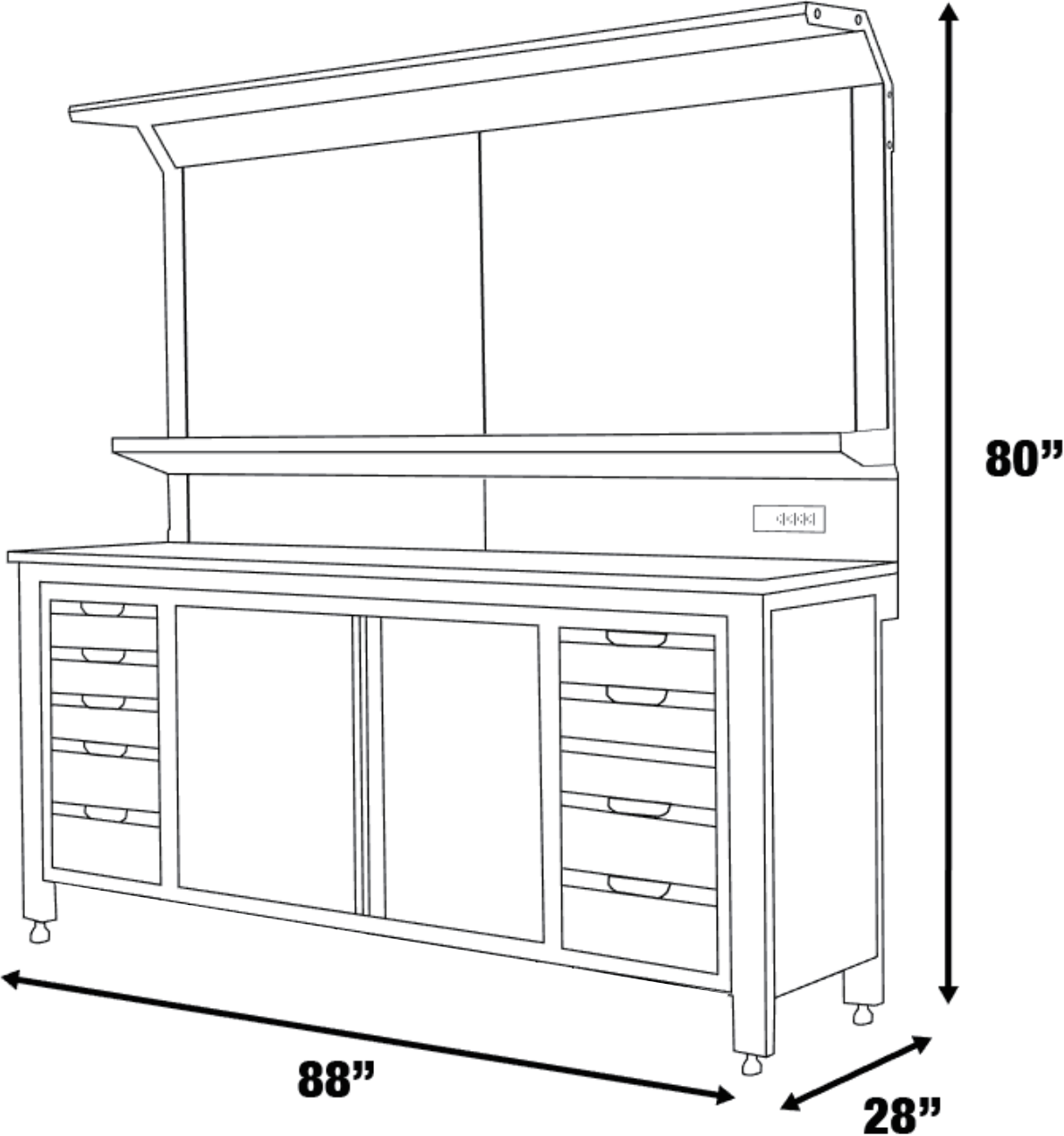


- Please read and understand the product manual completely before assembly
- Check against the parts list to make sure all parts are received
- Wear proper safety goggles or other protective gears while in assembly
- Do not return the product to dealer. They are not equipped to handle your requests.


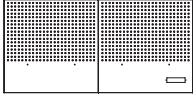
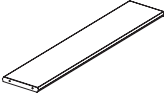


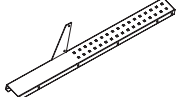
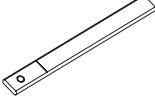
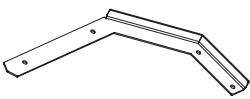
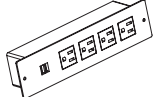

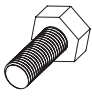
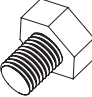

Missing parts or have questions on assembly?

Please call: 1-877-761-2819 or email: [cs@tmgindustrial.com](mailto:cs@tmgindustrial.com)

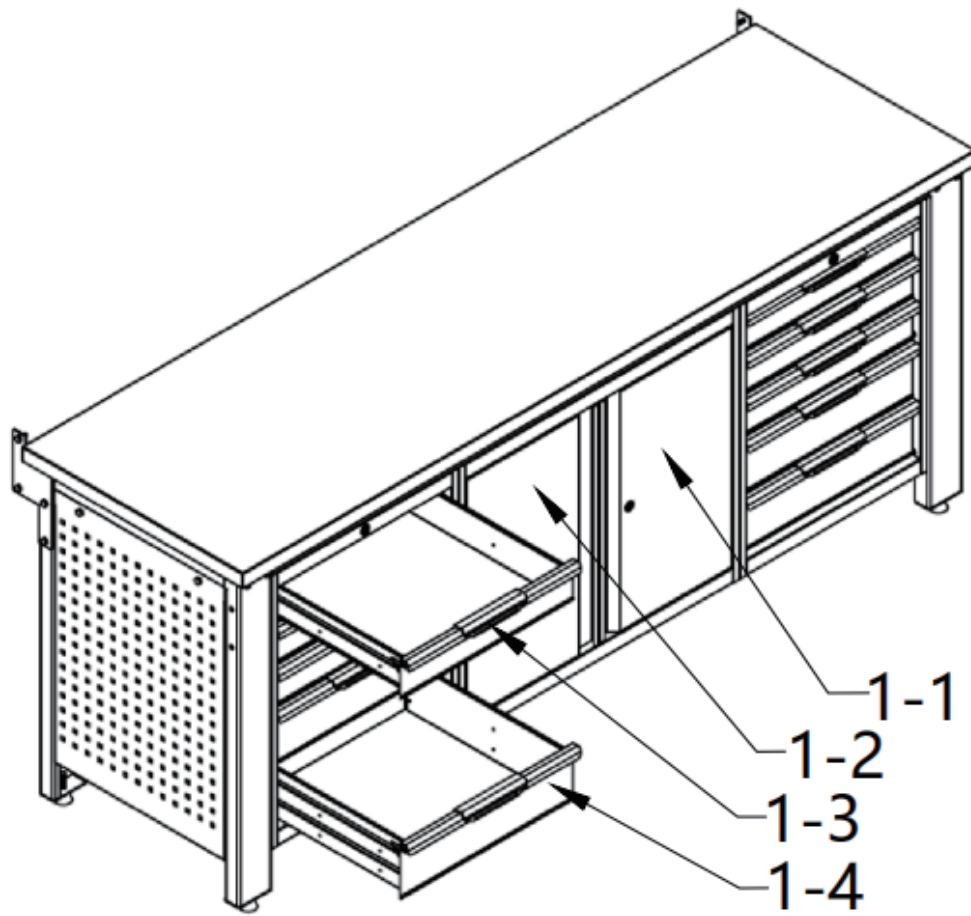
Frame structure diagram

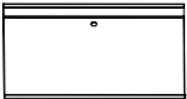

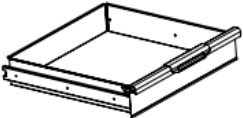
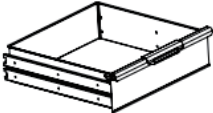


ACCESSORIES LIST

TMG-WBC10PART LIST				
NO.	PICTURE	DESCRIPTION	QUANTITY	LENGTH
1		Workbench	1	2230X923X670mm
2		Hanging panel	1	2000X986X40mm
3		Lampshade	1	2200X316X40mm
4		Storage table	1	2194X250X100mm
5		Strengthen groove	1	1995X80X40mm
6		Hanging panel column	2	1086X100X290mm
7		LED light	3	400X43X13mm
8		Lampshade connector	2	446X272X23mm
9		Socket	2	229X55X40mm
10		Key	6	38X23X10mm
11		M8*20 screw	26	M8X20mm
12		M8*10 screw	14	M8X10mm
13		M8 Nut	30	M8

## Workbench



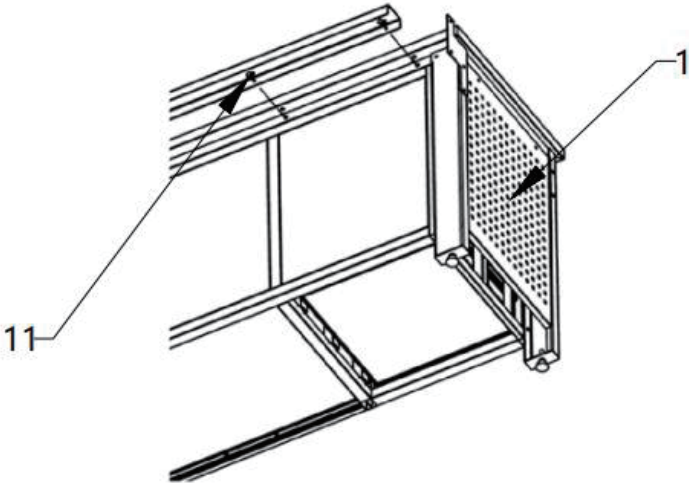
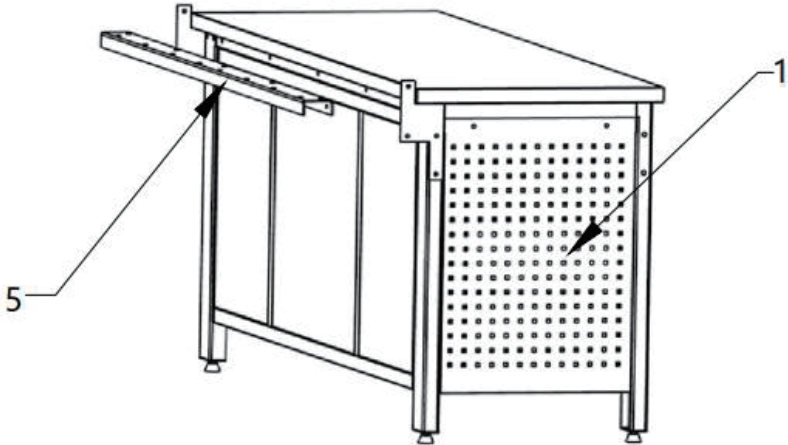
NO.	PICTURE	DESCRIPTION	QUANTITY	LENGTH
1-1		Right door	1	403x634X20mm
1-2		Left door	1	413x634X20mm
1-3		Small drawer	6	525x107X518mm
1-4		Big drawer	4	525x148X518mm

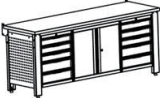

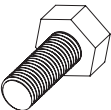
# TMG-WBC07

## INSTALLATION INSTRUCTIONS

**STEP1**

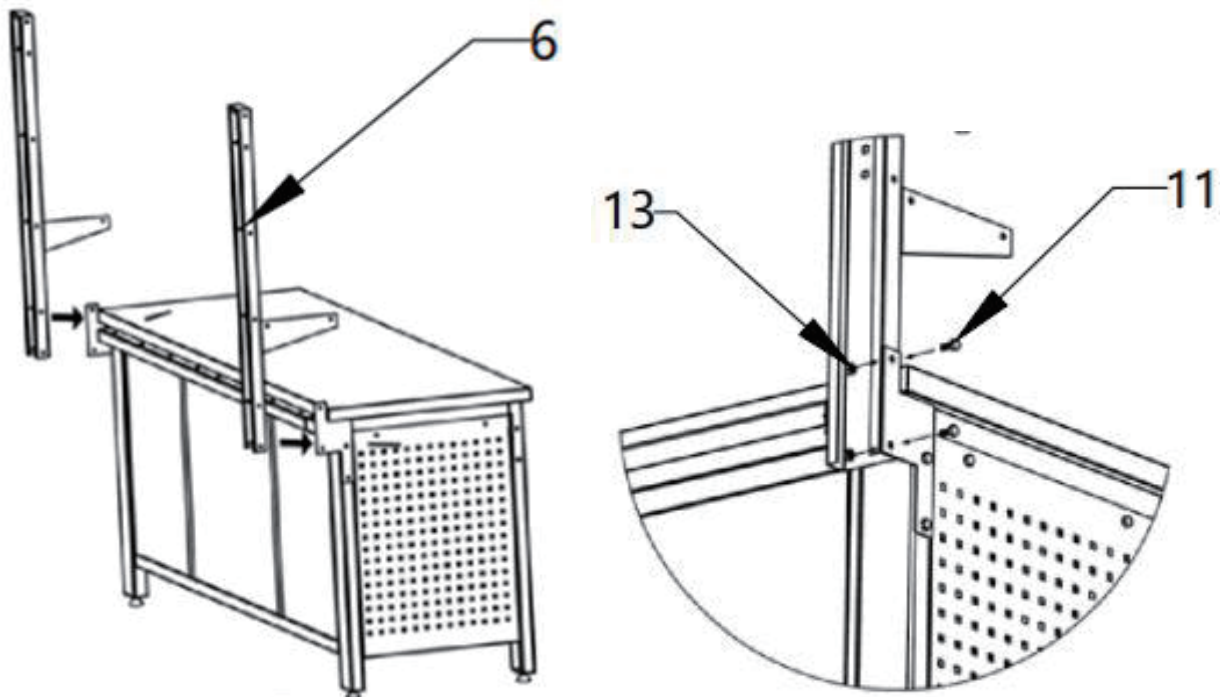
As shown in the figure,secure the hanging panel strengthen groove with M8\*20 screws to the work-bench.

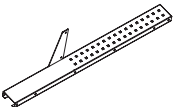
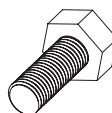



No.	Part	Qty
1		1
5		1
11		6

**STEP2**

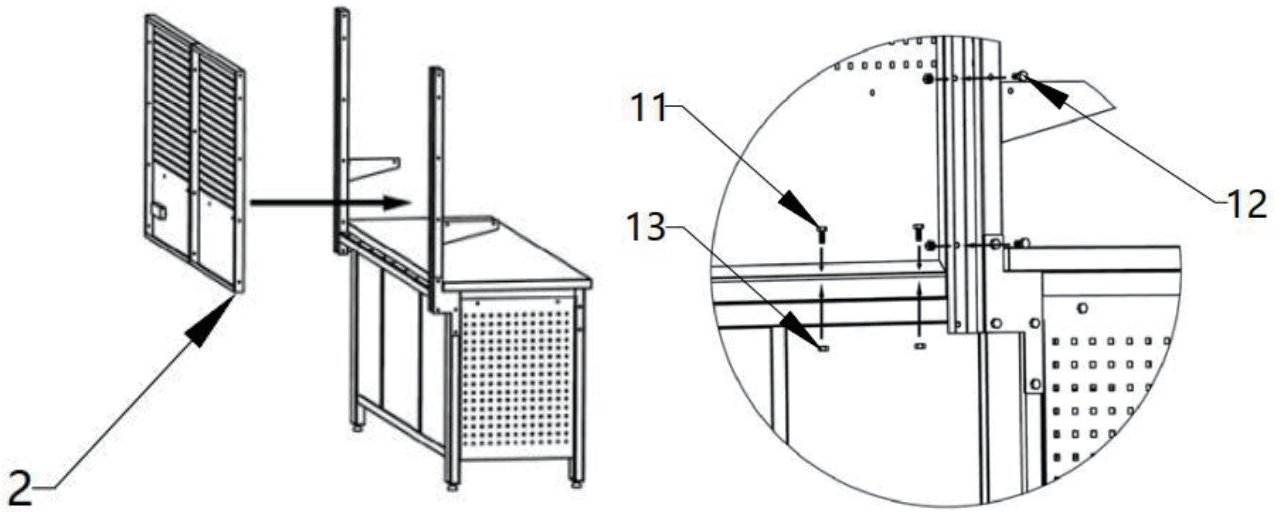
Move the hanging panel column to the designated position of the workbench as indicated by the arrow, and tighten and reinforce it with the M8\*20 screw and M8 nut.

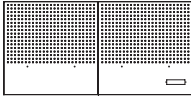
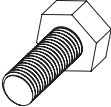
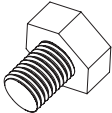



No.	Part	Qty
6		2
11		4
13		4

### STEP3

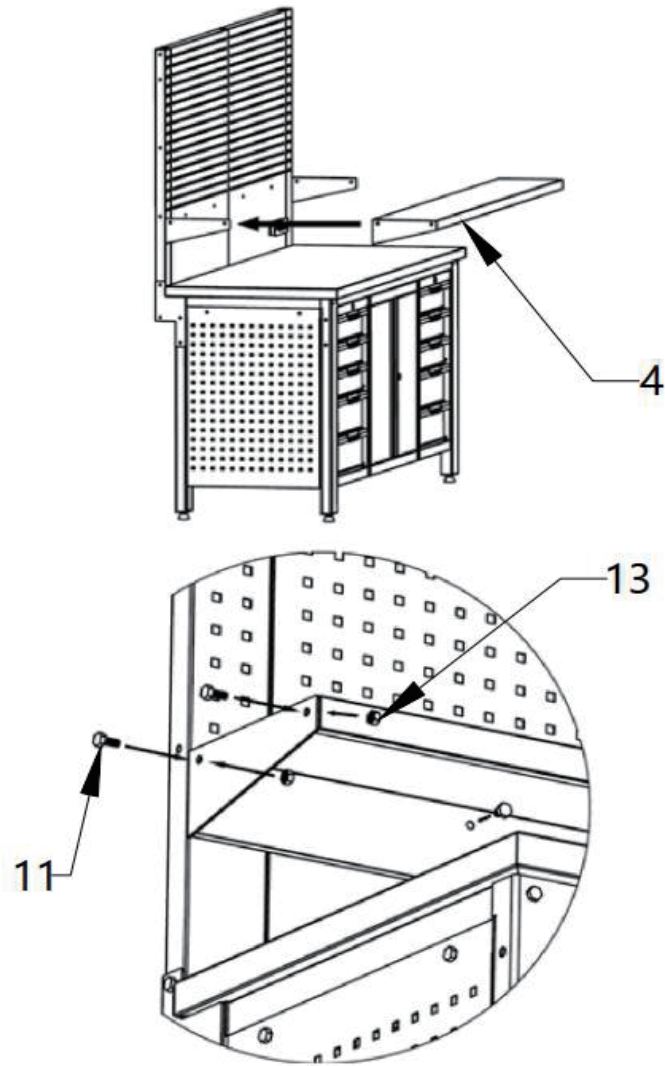
As shown in the figure, move the hanging panel to the column according to the instructions of the arrow, fix the hanging panel and the column with M8\*10 screws and M8 nuts according to the figure, and connection between the hanging panel groove is fix with M8\*20 screws and M8 nuts.


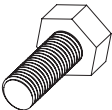



No.	Part	Qty
2		1
11		8
12		10
13		18

#### STEP4

Please connect the storage table to the hanging panel, tighten and strengthen the hanging panel and the column with M8\*20 screws and M8 nuts connection with M8\*10 screws and M8nuts.

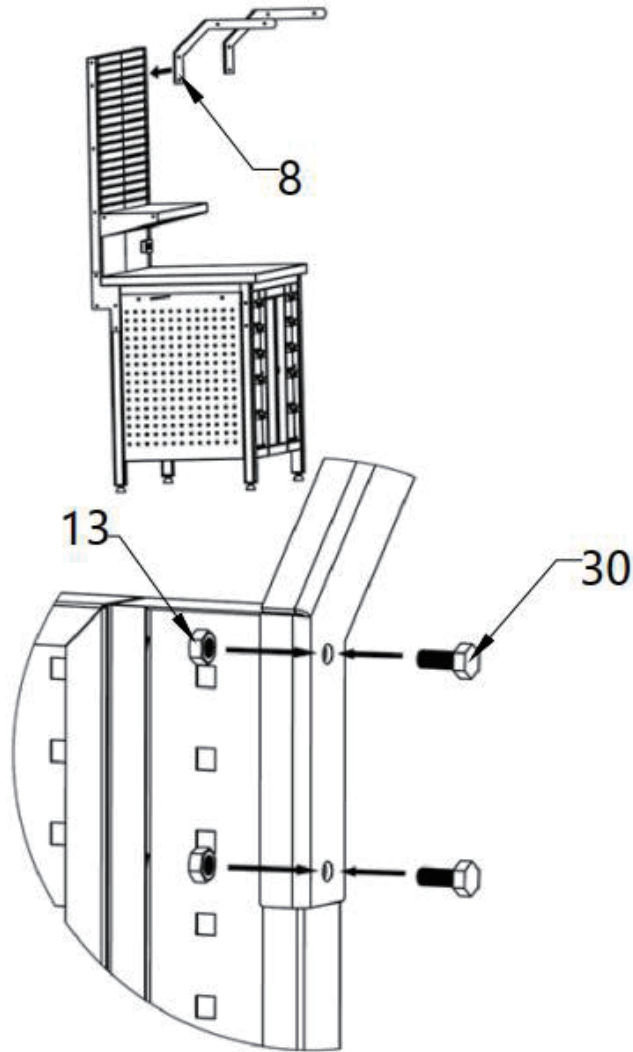


No.	Part	Qty
4		1
11		4
13		4



**STEP5**

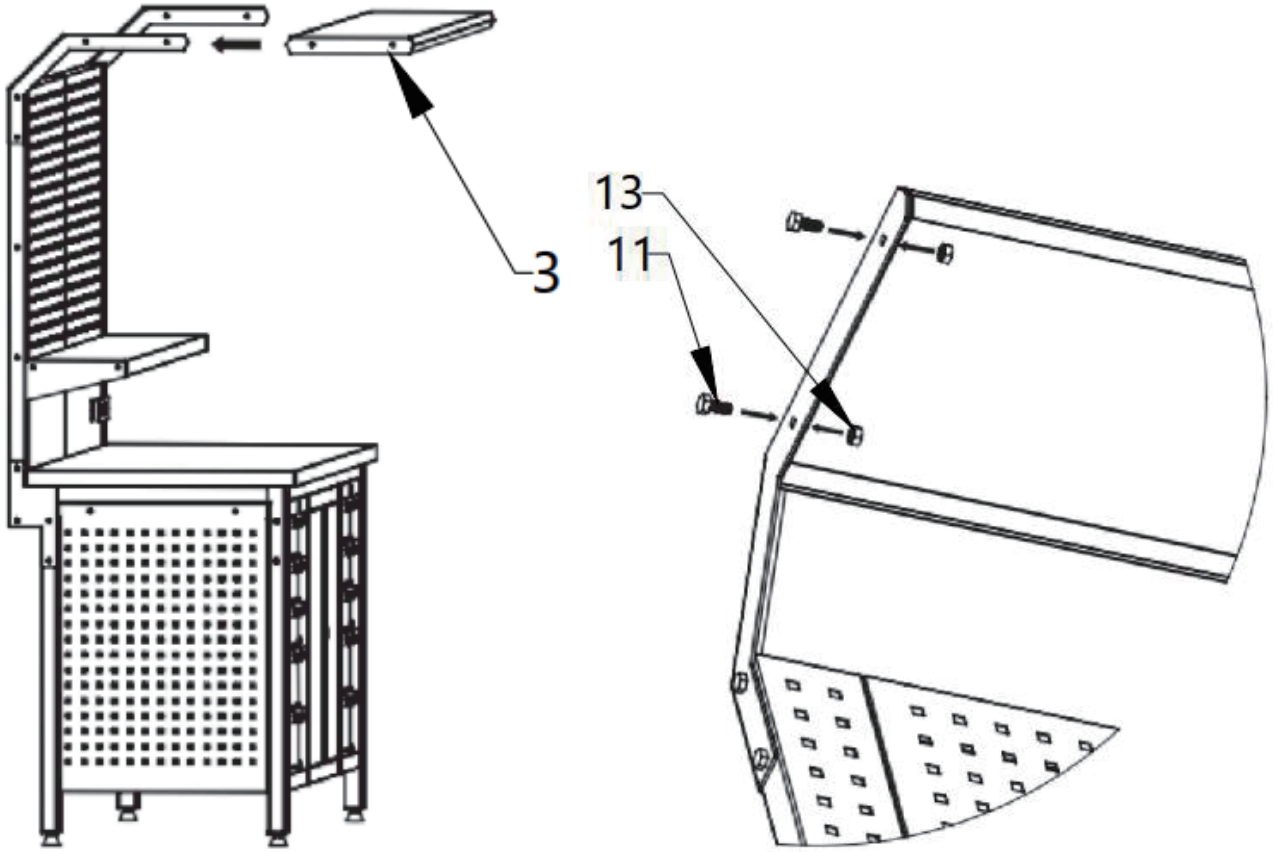
Secure the lampshade connector to the hanging panel column with M8\*20 screws and M8 nuts as indicated in the figure.

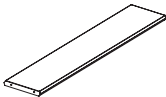
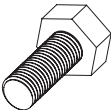



No.	Part	Qty
8		1
11		4
13		4

**STEP6**

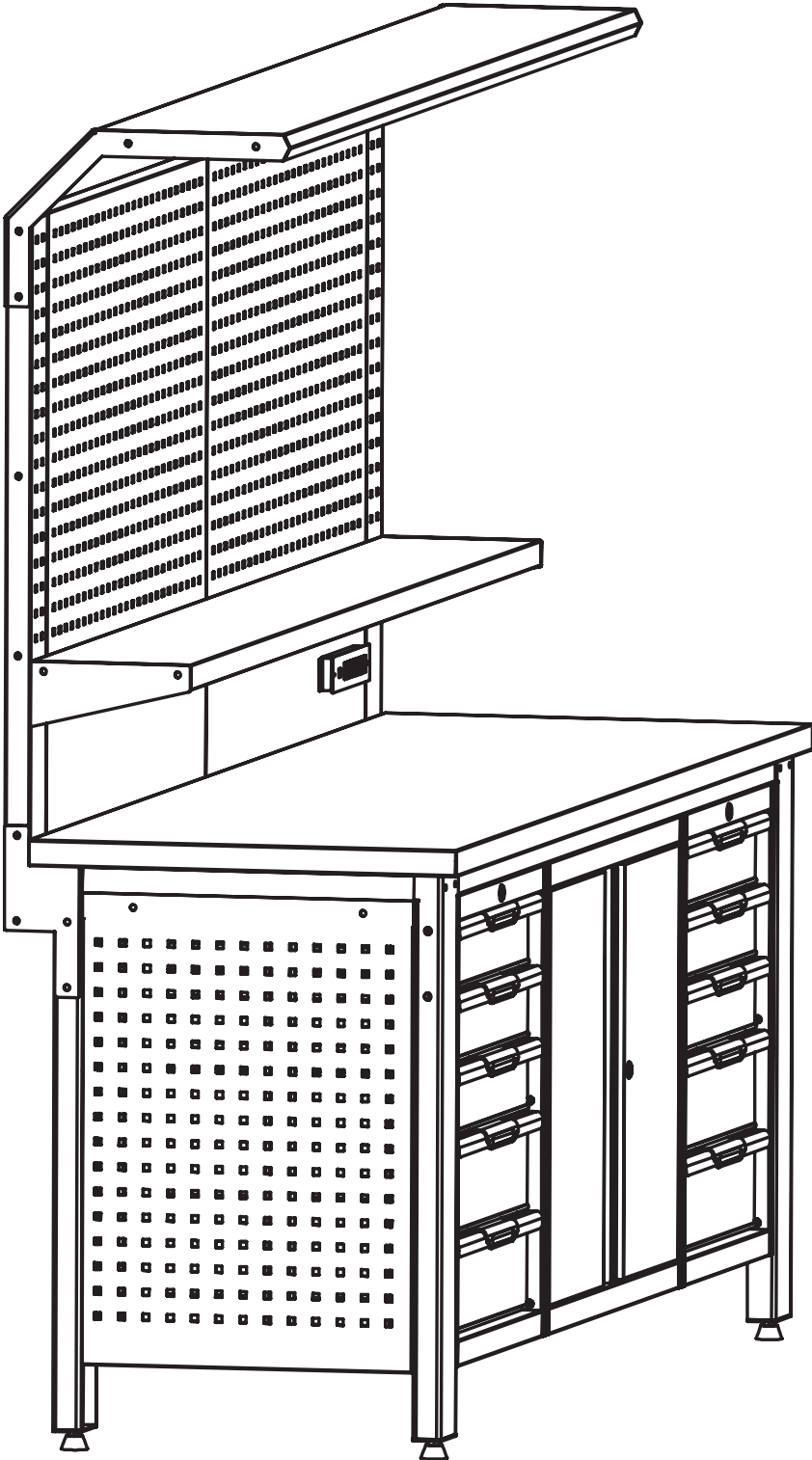
Connect the lampshade with M8\*20 screws and M8 nuts.



No.	Part	Qty
3		1
11		4
13		4

**STEP 7**

Installation is completed



Front View

