

Rubberwood Tabletop & Stainless Steel 72" Rolling Workbench Cabinet

Model:TMG-WB7210S



- Please read the product manual completely before assembly
- Check against the parts list to make sure all parts are received
- Wear proper safety goggles or other protective gears while in assembly

Missing parts or questions on assembly?

Please call: 1-877-761-2819 or email: cs@tmgindustrial.com

Do not return the product to dealer, they are not equipped to handle your requests

ANTI TIPPING HARDWARE KIT

This product manual for the following models

TMG-WB4804S TMG-WB5510S TMG-WB7210S
TMG-WB7215S TMG-WB9624S



WARNING

PLEASE NOTE: WE STRONGLY RECOMMEND THAT THIS PRODUCT IS PERMANENTLY FIXED TO A WALL.
PLEASE USE THE PROVIDED "TIP OVER PREVENTION KIT" TO SECURELY FIX PRODUCT TO YOUR WALL.



A x 2



B x 2



C x 2



D x 2



E x 4

IT IS STRONGLY RECOMMENDED THAT YOU ANCHOR THIS PRODUCT.

TOPPLING FURNITURE CAN CAUSE SERIOUS INJURIES AND DEATH.

A "TIP OVER PREVENTION KIT" HAS BEEN PROVIDED WITH THIS PRODUCT TO STOP YOUR FURNITURE FROM TIPPING FORWARD. IT IS STRONGLY RECOMMENDED THAT YOU SECURELY ATTACH THIS PRODUCT TO A WALL OR OTHER SOLID SURFACE USING THE PROVIDED FIXINGS.

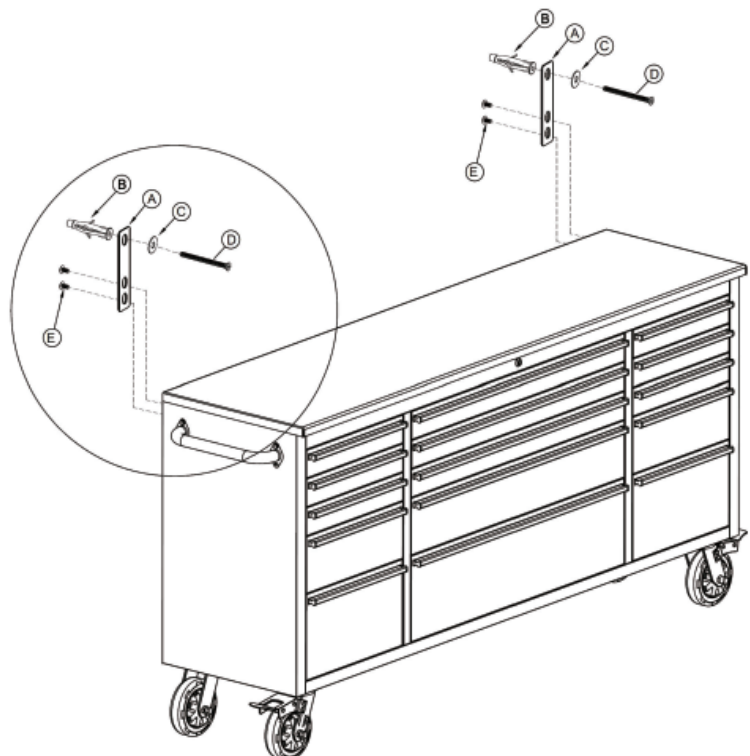
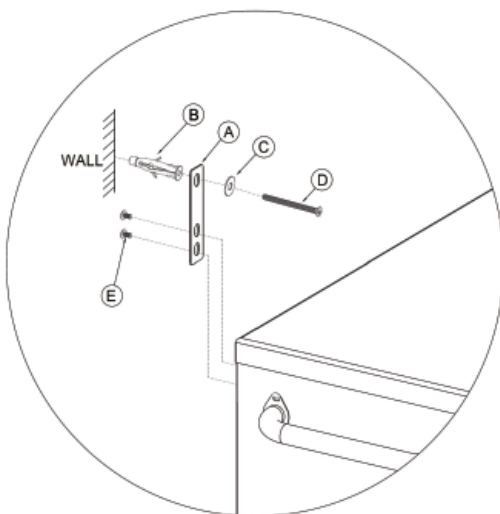
IMPORTANT: REGULARLY CHECK THAT ANCHORS ARE SECURELY MAINTAINED. STABILITY OF TALL ITEMS MAY BE AFFECTED BY THICK PILE CARPET OR UNEVEN FLOORS.

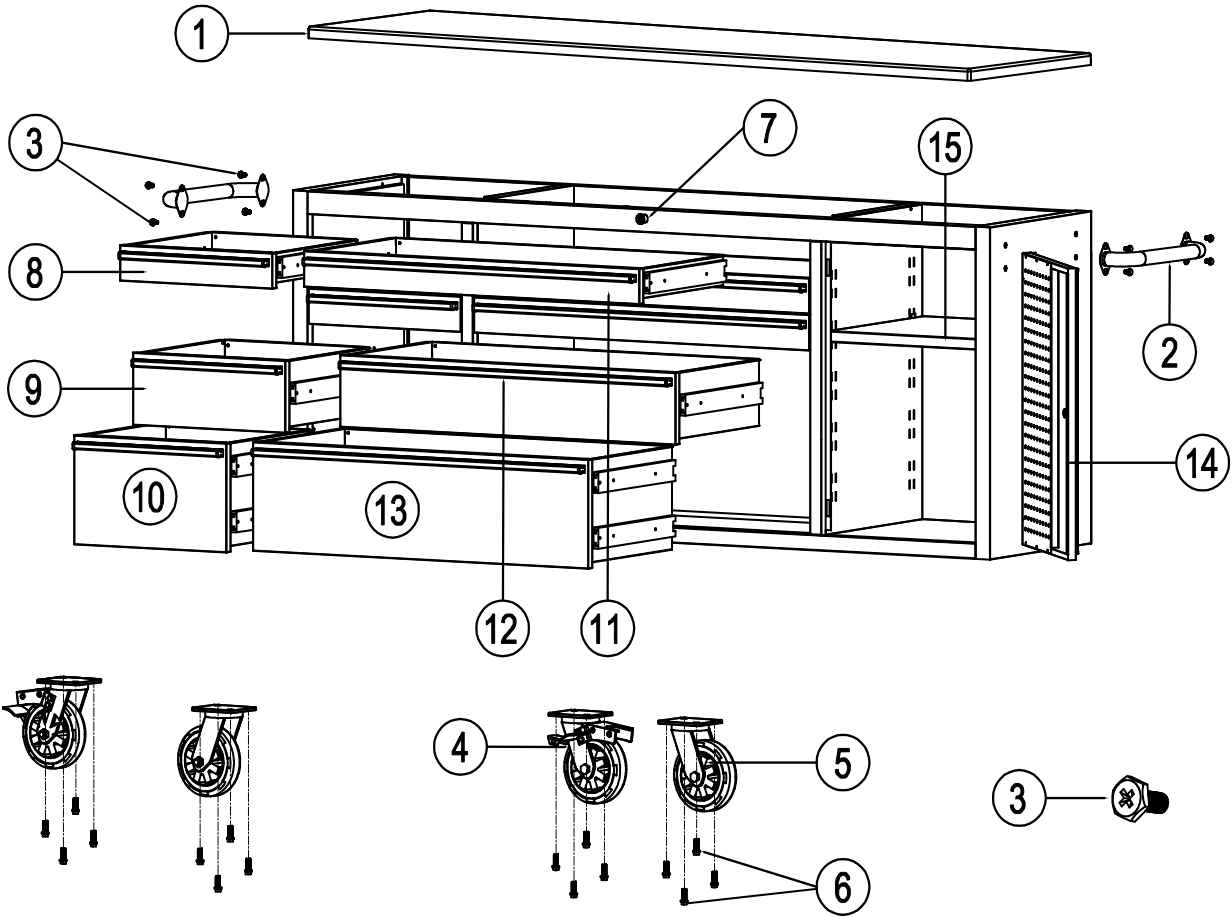
CAUTION:

FOR YOUR SAFETY WHEN ATTACHING THE ANCHOR FIXINGS, PLEASE NOTE THE FOLLOWING:

- CHECK FOR ANY ELECTRICAL WIRES OR PLUMBING INSIDE THE WALL BEFORE DRILLING ANY HOLES (IF YOU ARE UNSURE PLEASE SEEK PROFESSIONAL ADVICE FROM A QUALIFIED TRADESPERSON)
- WALLS ARE CONSTRUCTED FROM DIFFERENT MATERIALS, FOR EXAMPLE, MASONRY (SOLID BRICK) OR PLASTERBOARD LINED CAVITY WALLS (HOLLOW). IT IS IMPORTANT THAT YOU USE THE APPROPRIATE FIXINGS FOR YOUR WALL TYPE.

Installation for Brick, Masonry Wall and Plaster Wall





PART#	DESCRIPTION	QTY
1	Bench Top	1
2	Handle	2
3	1/4"*12mm Hex Bolt	8
4	Swivel caster(W/brake)	2
5	Rigid caster	2
6	3/8"*25 mm Hex Bolt	16
7	Lock and Key	4

PART#	DESCRIPTION	QTY
8	Upper Drawer(L/R)	6
9	Middle Drawer(L/R)	2
10	Bottom Drawer(L/R)	2
11	Middle Drawer(Upper)	3
12	Middle Drawer(M)	1
13	Middle Drawer(Bottom)	1
14	Door	1
15	Shelf	1