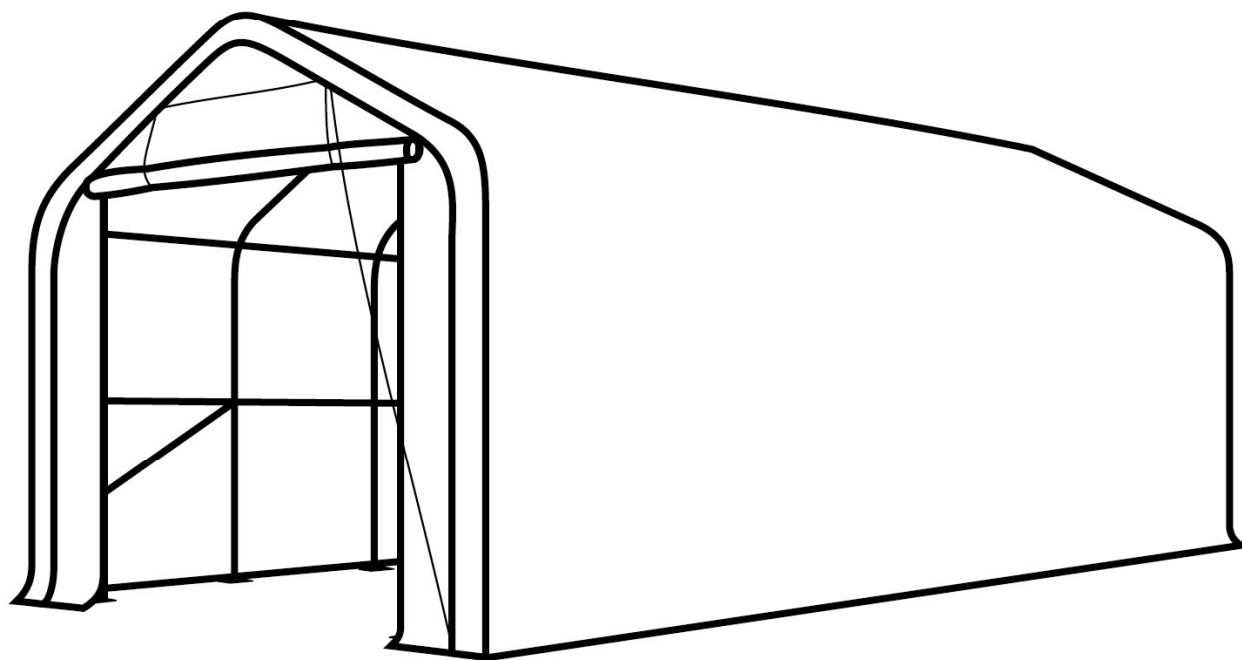


15' X 35' RV MOTORHOME STORAGE SHELTER



⚠ WARNING



This structure is intended for temporary outdoor storage use only. It is not designed to withstand heavy snow and wind loads and does not come with engineering drawings. To ensure suitability for your specific weather needs, it is your responsibility to verify their appropriateness for your intended use and local weather conditions, especially in areas prone to severe weather.

- Please read and understand the product manual completely before assembly
- Check against the parts list to make sure all parts are received
- Wear proper safety goggles or other protective gears while in assembly
- Do not return the product to dealer. They are not equipped to handle your requests.

Missing parts or have questions on assembly?

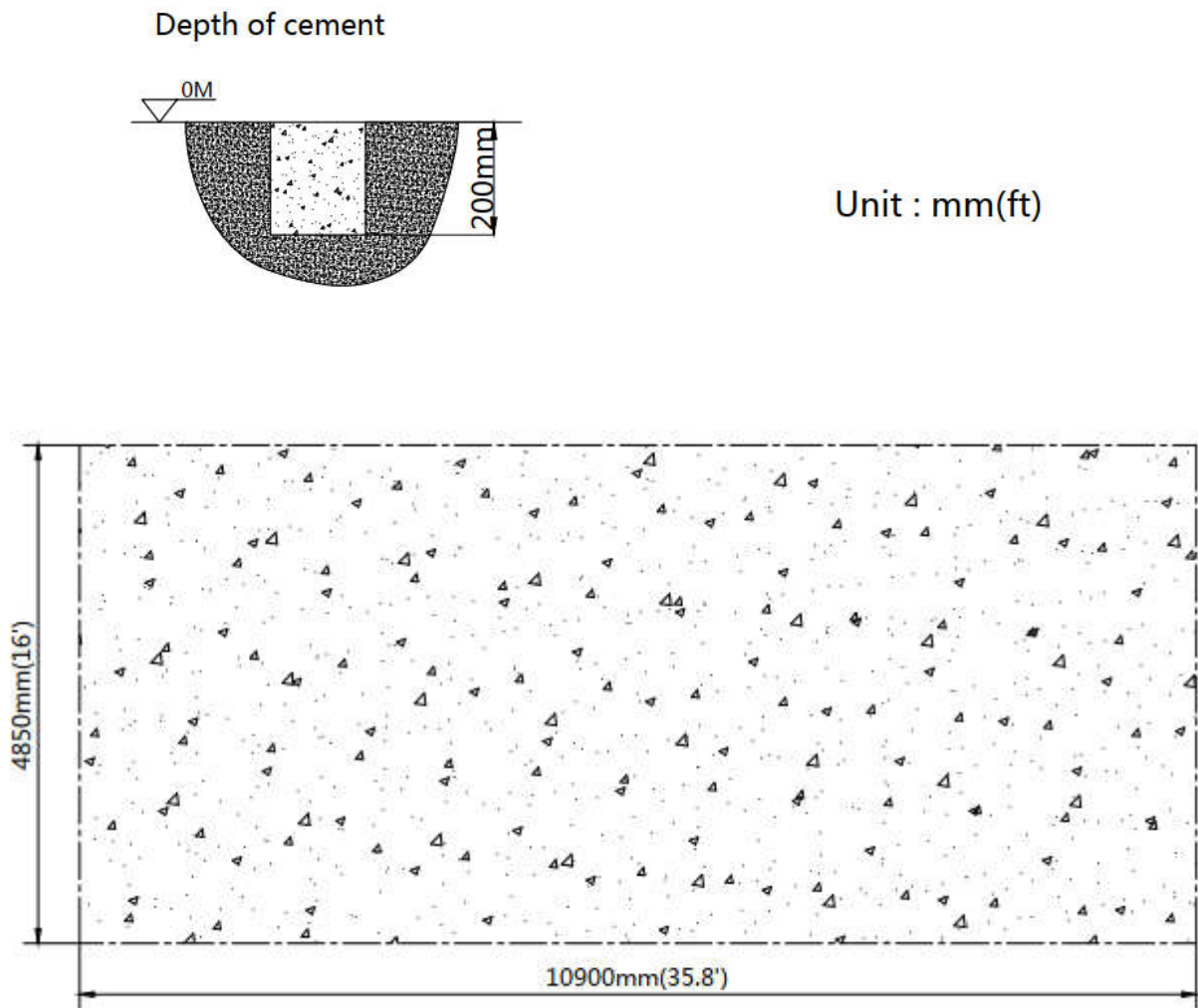
Please call: 1-877-761-2819 or email: cs@tmgindustrial.com

MAIN SPECIFICATIONS :

- Assembly size : W4.57 x L10.5 x H4.26 (m) / 15 x34.4x 14 (ft)
- Shoulder height : 3m / 9.8ft
- Front roll up door : 3.3 x 3 (m) / 10.8 x 9.8 (ft)

CONCRETE FOUNDATION SIZE SEE BELOW FIGURE

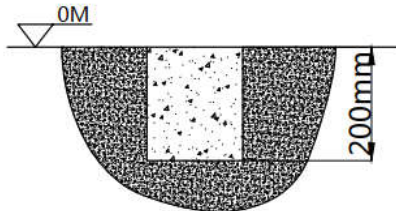
- The layout of foundation (one).



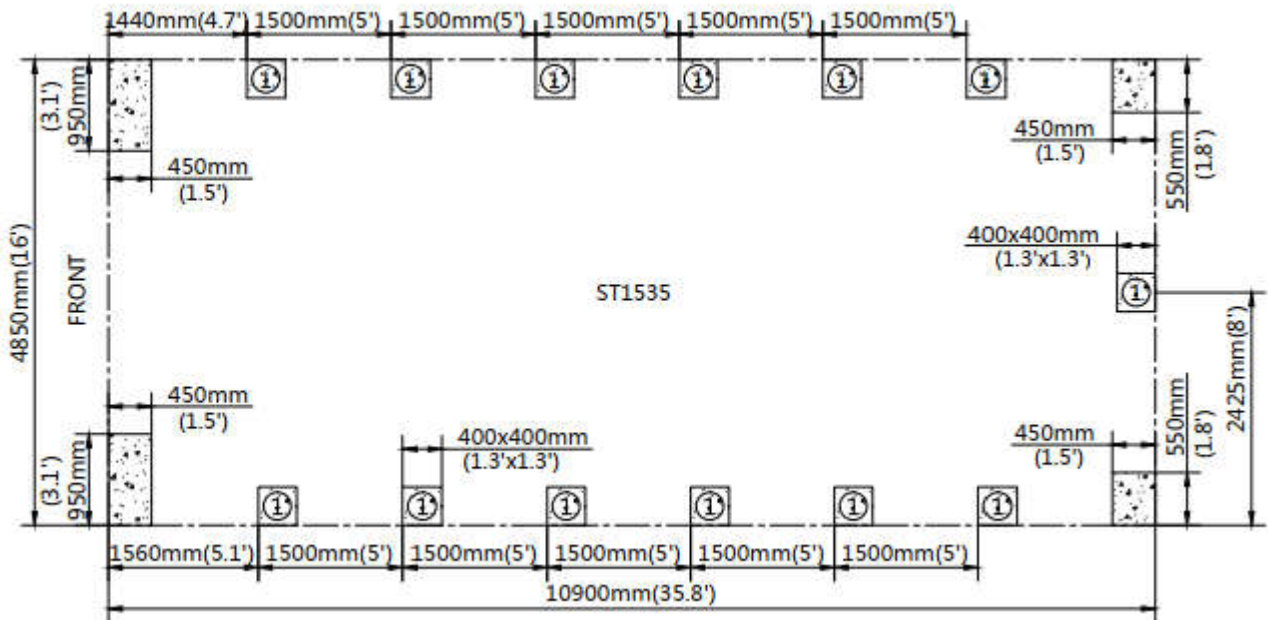
- The layout of foundation(two).

Note: the ground anchor is installed on the cement block.

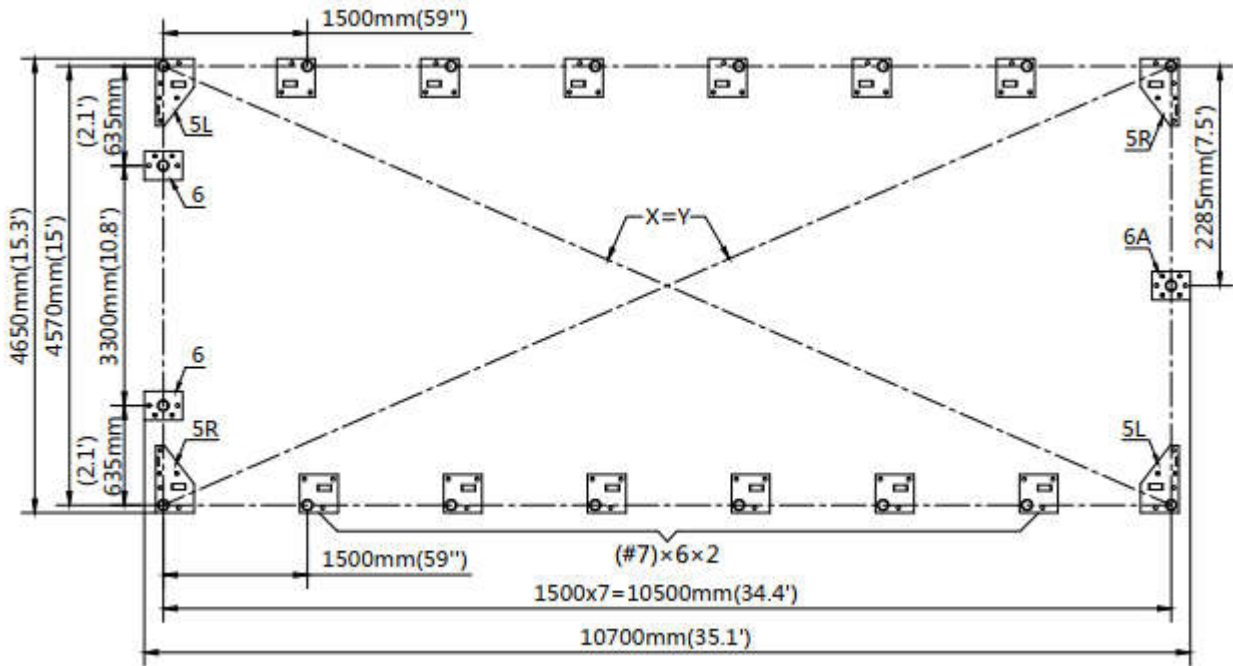
Depth of cement



Unit : mm(ft)



- Baseplate layout.



PRIOR TO ASSEMBLY

Please read the instructions carefully before installation. It is important to follow your local safety regulations and industry standards during installation. Regulations may include but are not limited to:

- Safety helmets, protective eyewear, and clothing
- Safety harnesses for all elevated workers
- Proper ladder, cage, and safety operation


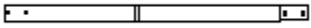

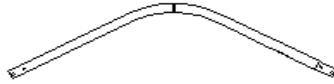
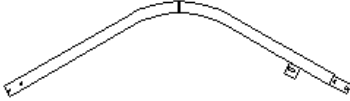



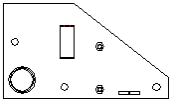
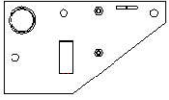



Check all components and parts before installation. All parts are marked with a part number, please refer to the parts list to make sure you have all parts.




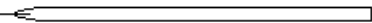








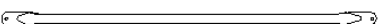



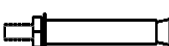
Choose a day with low or no wind to install, assembly is hard in heavy wind. Do not make any alterations to the structure. Do not hang any weights on the frame during installation, including parts. We are not responsible for any damages or injuries caused by inappropriate installation, unauthorized modifications or extreme weather.

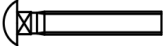
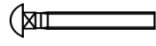



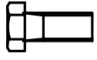


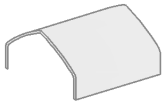
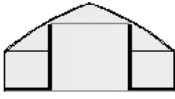




This building is not intended for human occupancy.

It is recommended to tape or add foam/rubber on the frame where joints connect and where it touches the cover. This will help extend the life span of the cover.

TMG-ST1535 Part List

PARTS CODE	GRAPHICAL	DESCRIPTION	LENGTH	QTY
1		Peak arch tube	φ48xL1153mm	8
2		Upper rafter tube (middle truss and rear trusses)	φ48xL1180mm	14
2A		Upper rafter tube (front truss)	φ48xL1180mm	2
3		Shoulder tube (middle truss)	φ48xL1789mm	12
3A		Shoulder tube (front and rear trusses)	φ48xL1789mm	4
4		Sidewall tube (middle truss)	φ48xL1980mm	12
4A		Sidewall tube (front and rear trusses)	φ48xL1980mm	4
5`		Roof purlin (horizontal tube)	φ48xL1540mm	49
5L		Left corner baseplate (front and rear trusses)	W200xL350mm	2
5R		Right corner baseplate (front and rear trusses)	W200xL350mm	2
6		Door column baseplate (front truss)	W150xL200mm	2
6A		Middle column baseplate (rear truss)	W150xL200mm	1
7		Middle truss baseplate	W150xL200mm	12

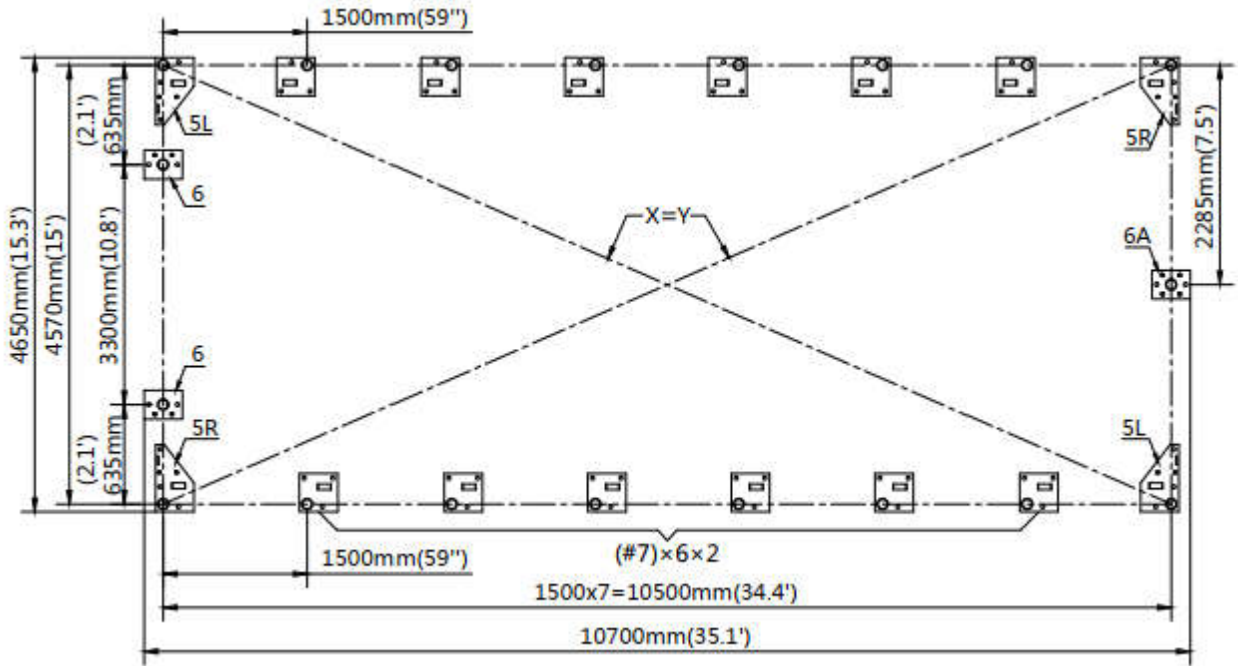
7A		Ratchets	2T	16
8		Door frame lower tube (front and rear trusses)	φ48xL1975mm	3
9		Door frame upper tube (front truss)	φ48xL1346mm	2
9A		Rear frame middle tube	φ48xL2215mm	1
10		Door frame upper horizontal tube (front truss)	φ42xL594mm	2
10A		Door frame upper horizontal tube (rear truss)	φ42xL1653mm	2
10B		Door frame lower horizontal tube (rear truss)	φ42xL2243mm	2
11		Ceiling crossbar (front truss)	φ42xL1886mm	1
11A		Two wheel rope pulley (pre-installed on 2A)	L130mm	1
11B		One wheel rope pulley (pre-installed on 2A)	L85mm	1
12		Bottom tension bar (front cover)	φ32xL490mm	2
12A		Bottom tension bar (rear cover)	φ32xL2100mm	2
13		Diagonal bracing bar (1st and last span)	φ42xL1900mm	4
13A		Tube clamp	φ48mm	4
14		Top cover tension tube (for both bottom sides)	φ32xL1993mm φ32xL950mm	10 2
15		Door dropping tube	φ32xL1993mm φ32xL1600mm	1 groups
16		Expansion bolt (Not included)	φ16x150mm	54

17		Half round head bolt	M10x90mm	56
18		Half round head bolt	M8x70mm	140
18A		Hex bolt	M10x90mm	4
18B		Hex bolt	M10x80mm	4
19		Hex bolt	M10x30mm	10
19A		Hex bolt	M10x50mm	4
20		Nylon rope	φ8xL13m	2
21		Water plug	φ32	14
22		Top cover	W11.1xL11.66m	1
23		Front cover panel	W4.43xL4.51m	1
23A		Rear cover panel	W4.43xL4.51m	1
24		Braided rope	φ8xL120m	1 bundle
25		Ratchet straps	W38xL800mm	16
26		Scratch resistant tape	10m	2

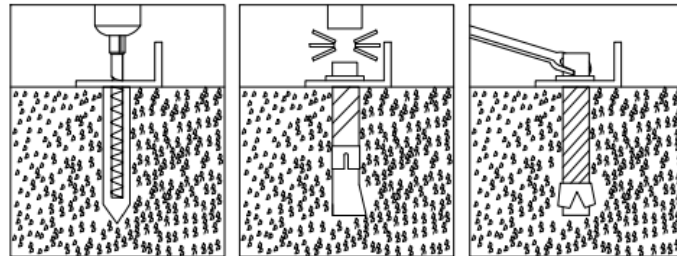
INSTALLATION STEPS

STEP 1 : REVIEW THE WHOLE STRUCTURE AND CHOOSE THE PROPER INSTALLATION SITE.

- Mark the ground in the final building location with a line showing the positions of base plates, front doors. All lines should be drawn from center to center of all base plate tubes. Diagonal line X must be equal to Y.



- Installation diagram of expansion bolt.

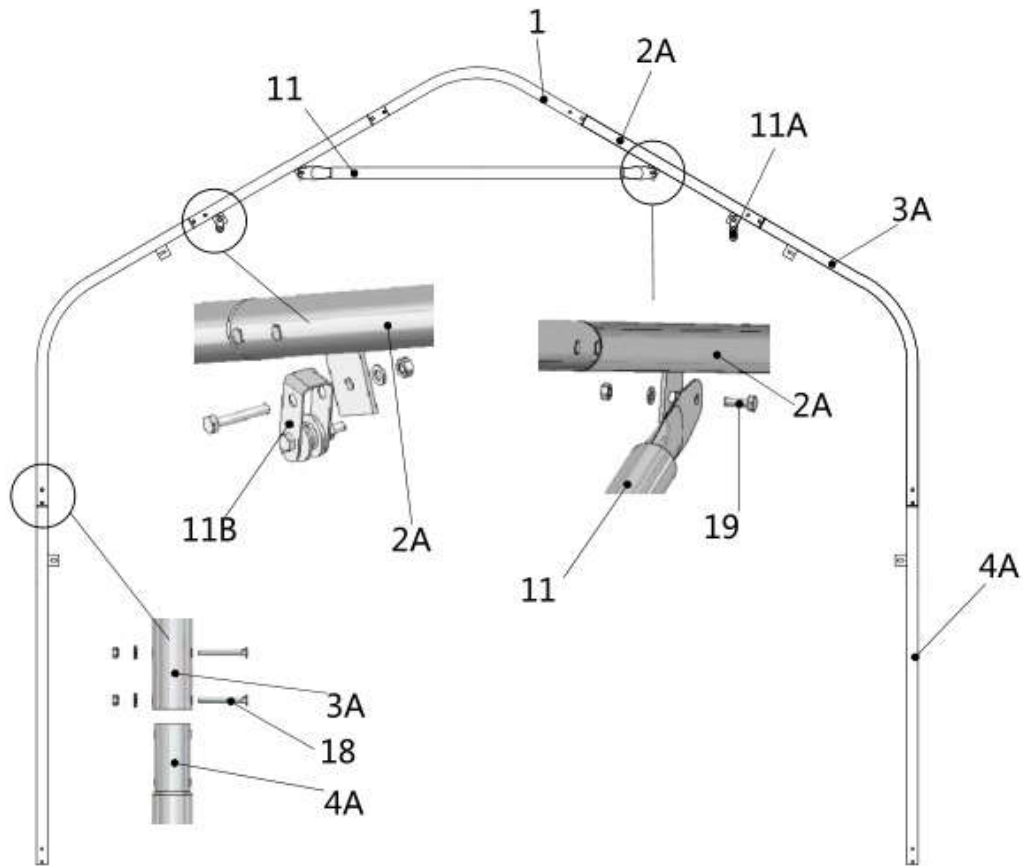


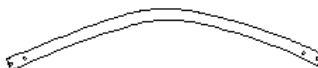
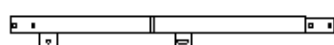
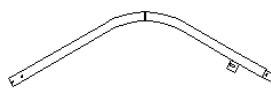
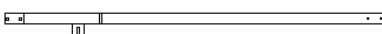

NO.	PART	QTY
5L		2
5R		2
6		2



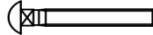
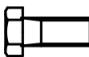
NO.	PART	QTY
6A		1
7		12
16		54

STEP 2 : ASSEMBLE ALL TRUSSES.

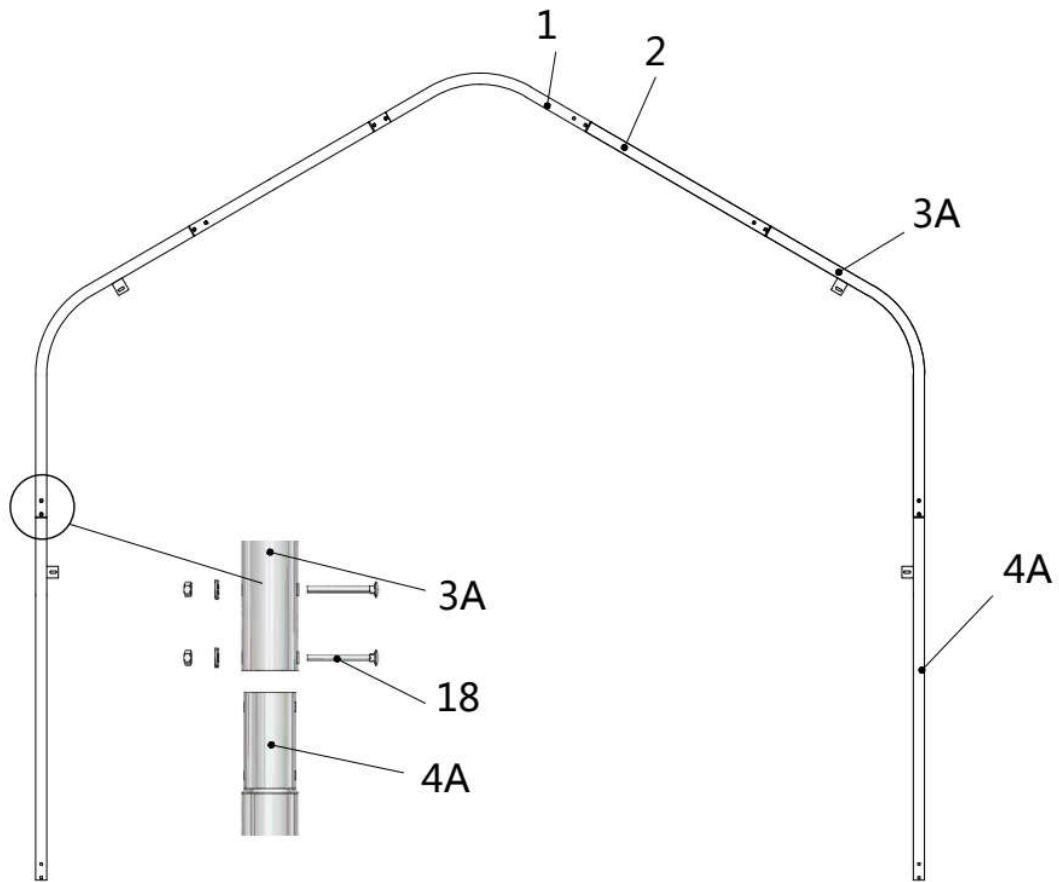
- The building includes 6 trusses : (1) front truss, (1) rear truss, and (6) middle trusses.
- Install front truss.


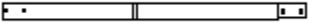
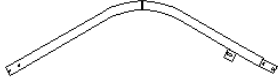




NO.	PART	QTY
1		1
2A		2
3A		2
4A		2
11		1

NO.	PART	QTY
11A		1
11B		1
18		12
19		2

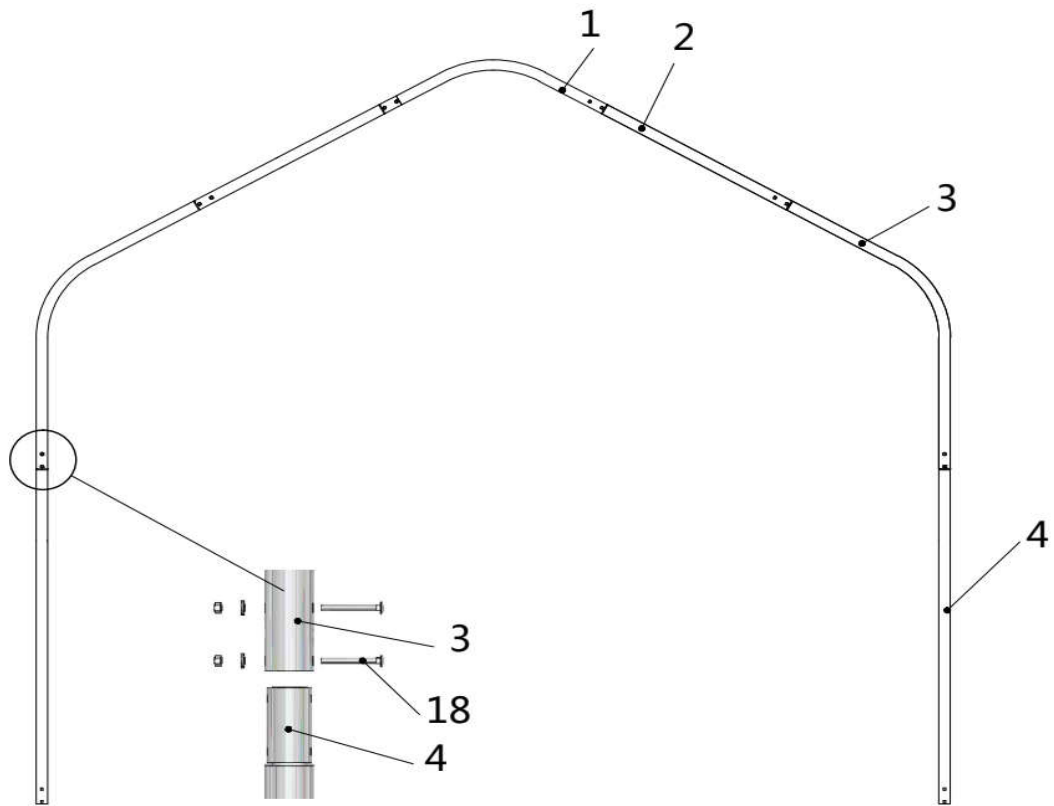
- Install rear truss.



NO.	PART	QTY
1		1
2		2
3A		2

NO.	PART	QTY
4A		2
18		12

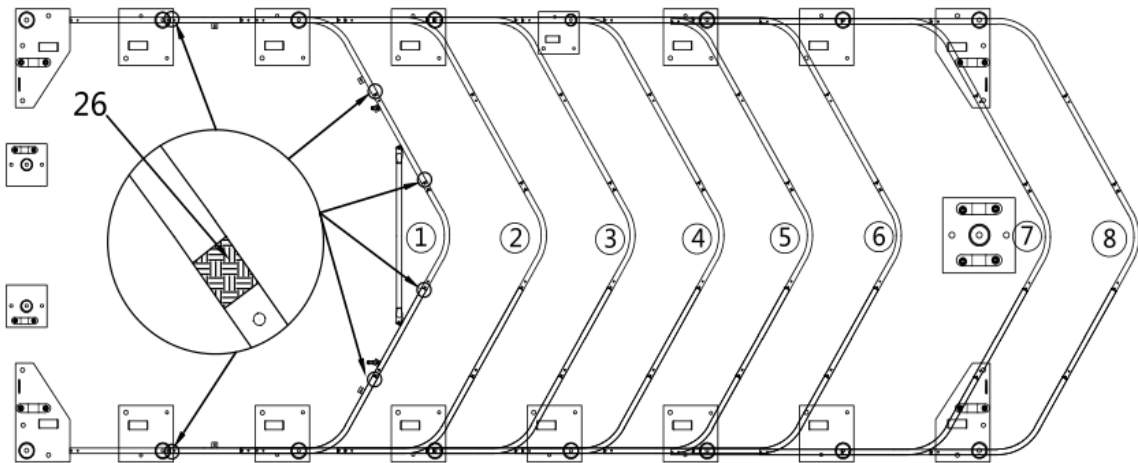
- Install (6) middle trusses.



NO.	PART	QTY
1		1x6
2		2x6
3		2x6

NO.	PART	QTY
4		2x6
18		12x6

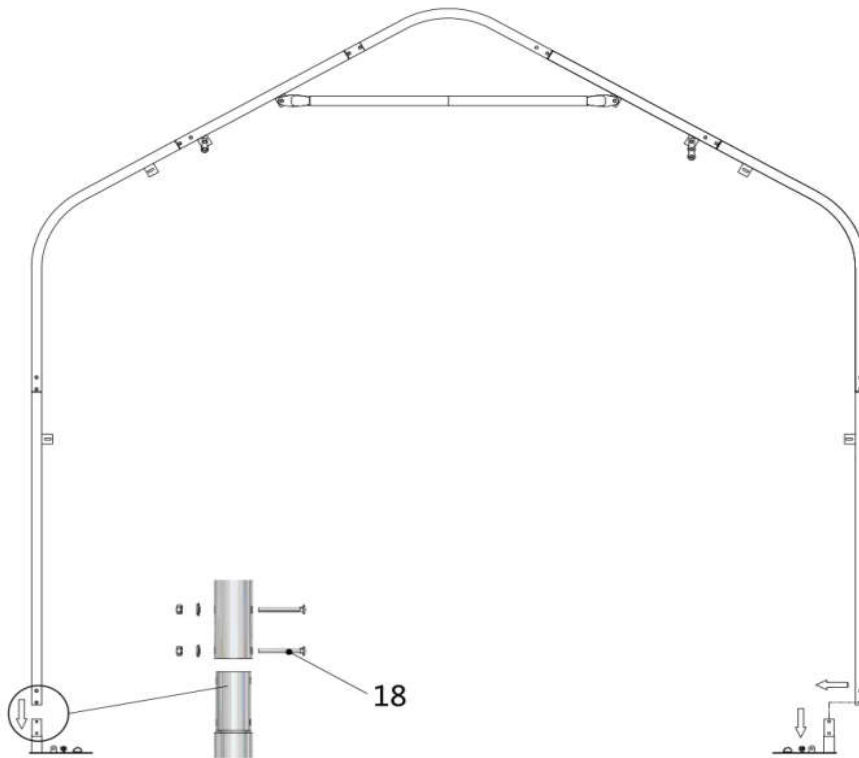
- Lay down all (8) trusses on the ground when the assembly is all completed and before moving to next step, and then wrap (#26) around the sharp points of the joint to avoid friction between the fabric and the interface, resulting in fabric damage.

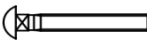


NO.	PART	QTY
26		2

STEP 3 : PUT UP THE FRONT (1ST) TRUSS.

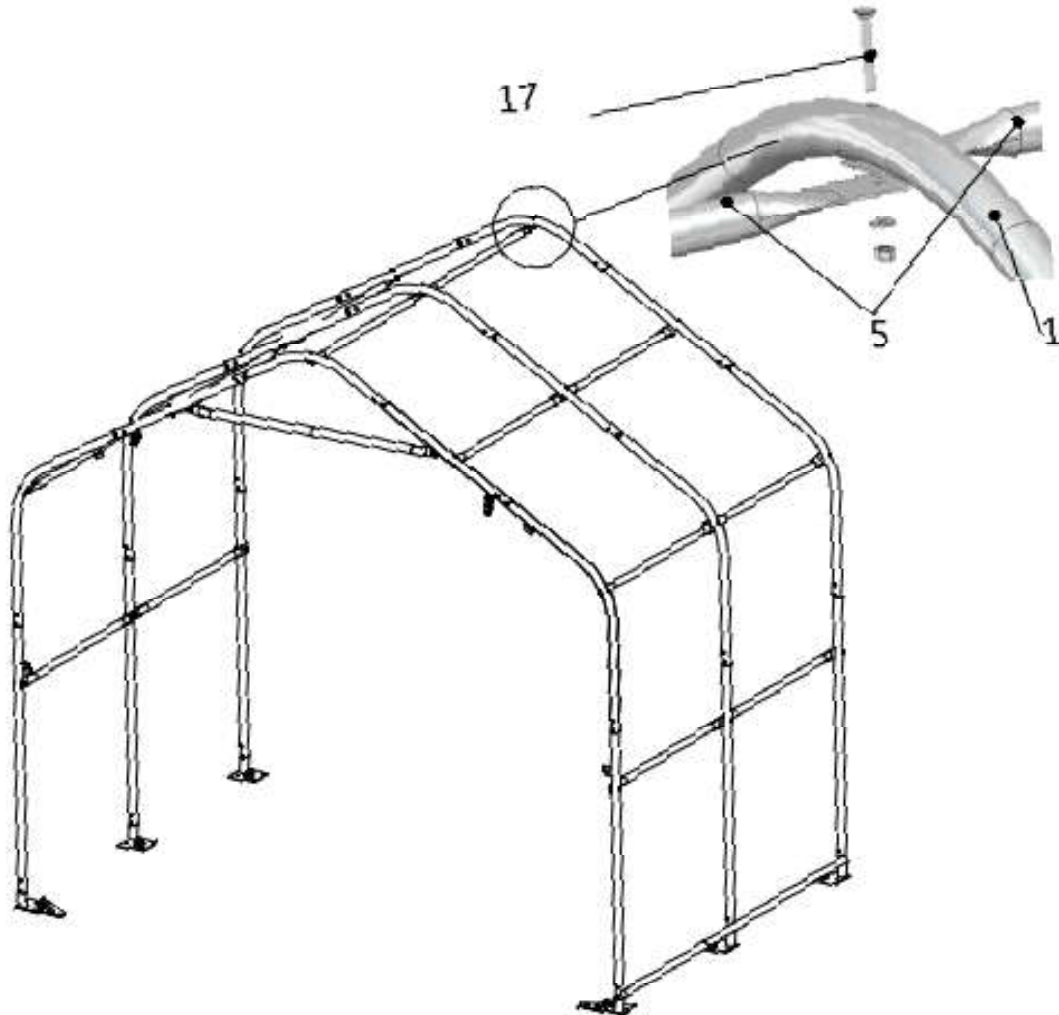
- Use of a crane or forklift is recommended, otherwise a team can use ropes to lift the trusses, but you have to make sure it is safe, and have enough manpower. We recommend 3 to 5 people to pull the truss up from different directions. When the truss is up, tie the ropes to the heavy objects to make sure the truss will stay upright and use bolt(#18)to connect the truss to the baseplate on both sides.

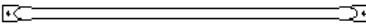
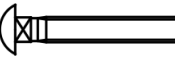



NO.	PART	QTY
18		4

STEP 4 : PUT UP THE REST TRUSSES.

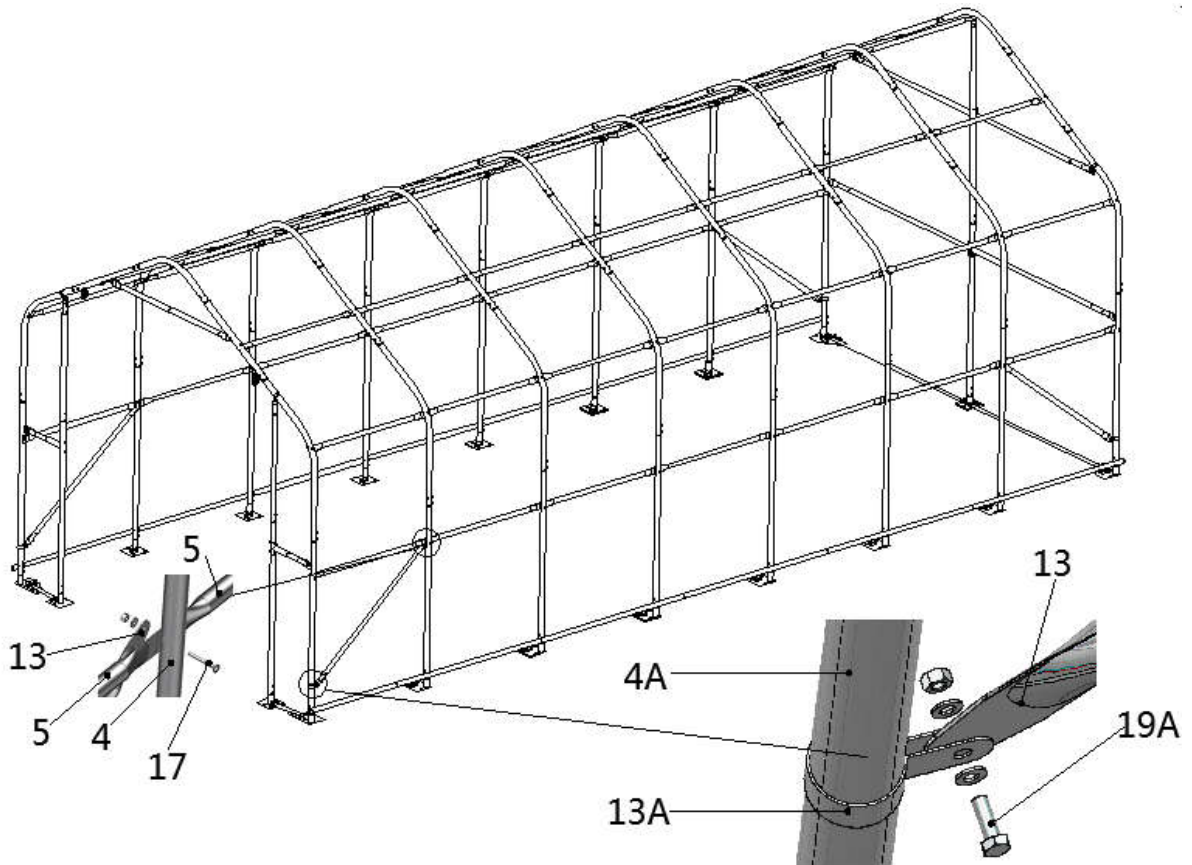
- Refer to Step 3 to put up the rest trusses, connect all purlins (#5) with bolt (#17) and secure all bolts firmly on each span before going to next truss.

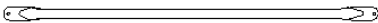

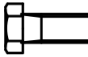


NO.	PART	QTY
5		49
17		56
18		28

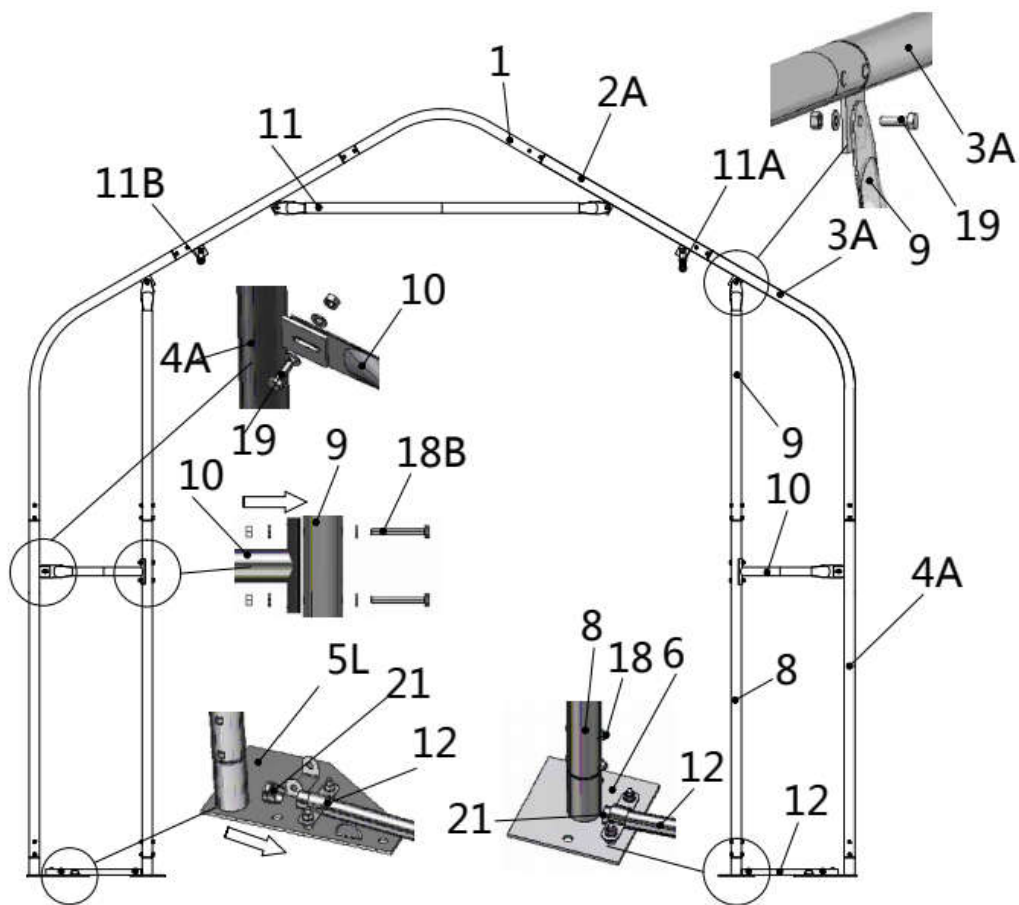
STEP 5 : INSTALL THE DIAGONAL BRACING BARS (#13).

- Connect diagonal bracing bar (#13) on the first and last span between the shoulder tube and sidewall tube (#3A and #4) with tube clamp (#13A), use bolt (#19A) .



NO.	PART	QTY
13		4
13A		4
19A		4

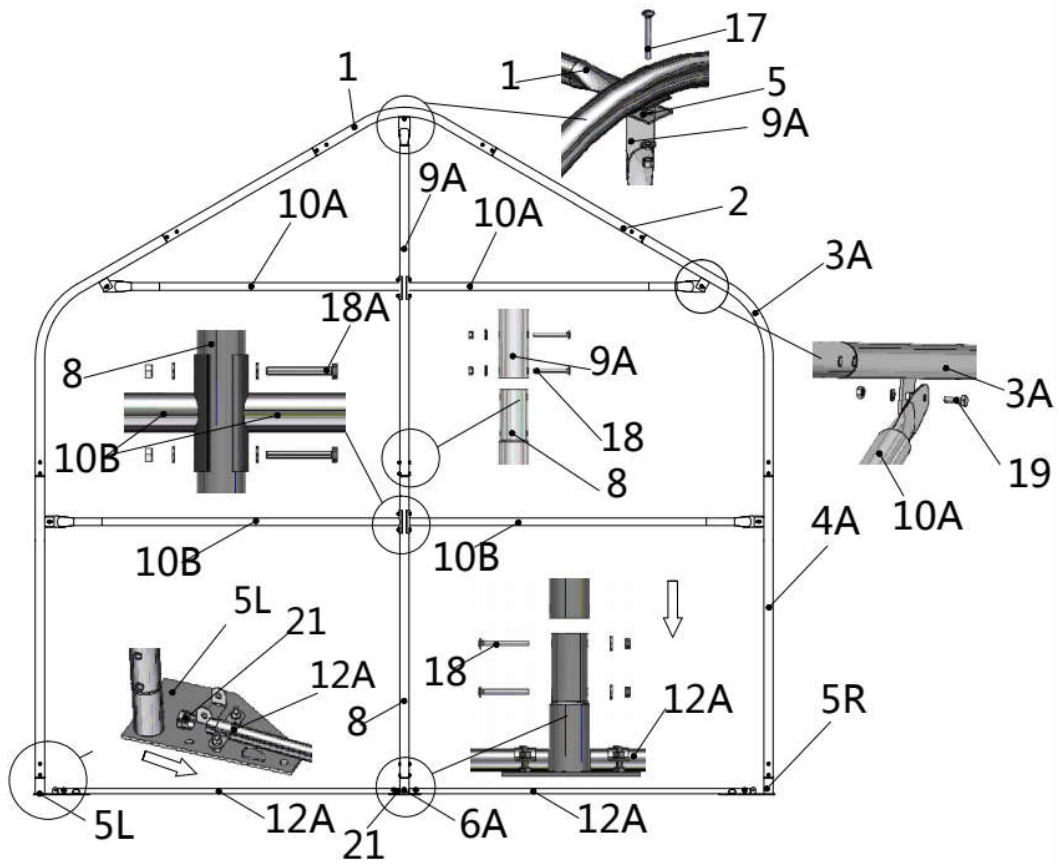
STEP 6 : INSTALL THE REMAINING PARTS ON THE FRONTTRUSS.



NO.	PART	QTY
8		2
9		2
10		2
12		2

NO.	PART	QTY
18		8
18B		4
19		4
21		4

STEP 7 : INSTALL THE REMAINING PARTS ON THE REAR TRUSS.

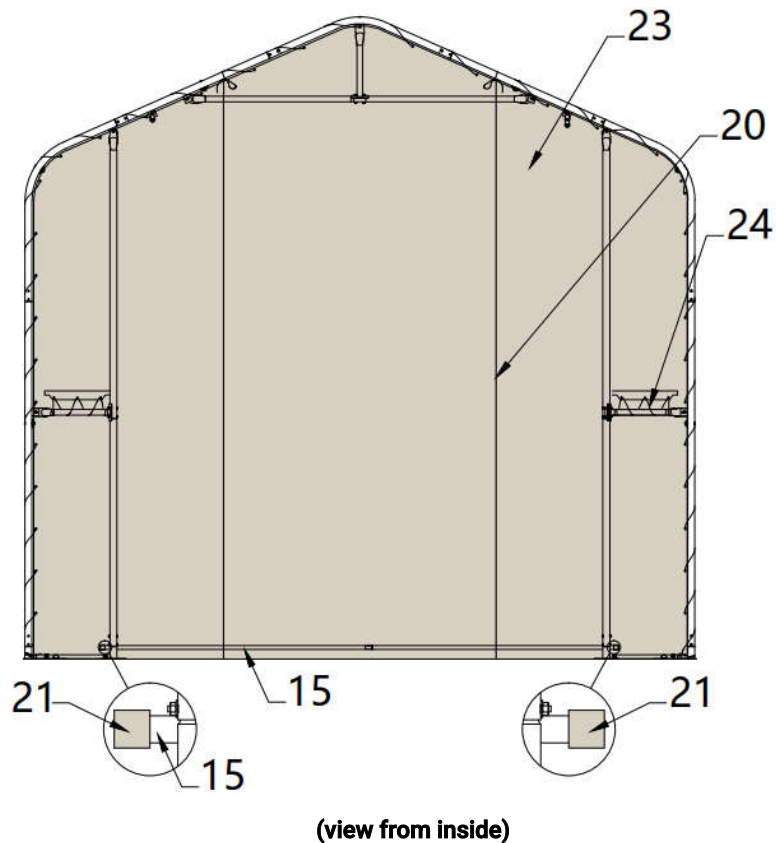


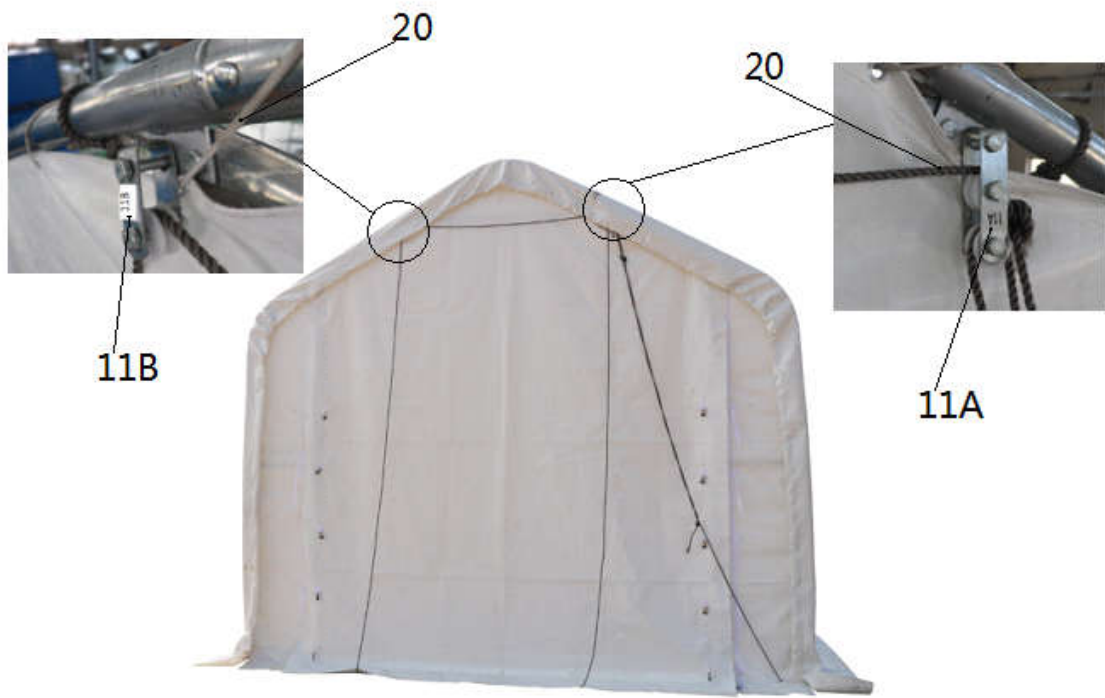
NO.	PART	QTY
8		1
9A		1
10A		2
10B		2
12A		2

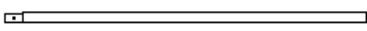


NO.	PART	QTY
18		4
18A		4
19		4
21		4

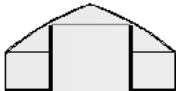

STEP 8 : INSTALL FRONT COVER PANEL.

- The door cover must be zipped. Use rope (#24) to lift up the front and rear cover (#23) from the center grommet and tie it firm to the truss tube and spread toward both sides through each grommet along the tube.
- Insert the dropping tube (#15) into the bottom groove pocket on the door cover. Tie two ropes (#20) separately on both sides of the peak arch tube. Pull both ropes under through the bottom of the door cover from the back, then go up from front and through both pulley (#11A) and (#11B).
- The rope coming out from pulley (#11B) must go through the upper wheel of pulley (#11A), then pull both ropes together slowly and start to lift the door cover.
- Tie both ropes to the corner baseplate. Now the door cover is up. When you drop down the door cover, do not let go too quick, otherwise it might get stuck and damage the fabric.



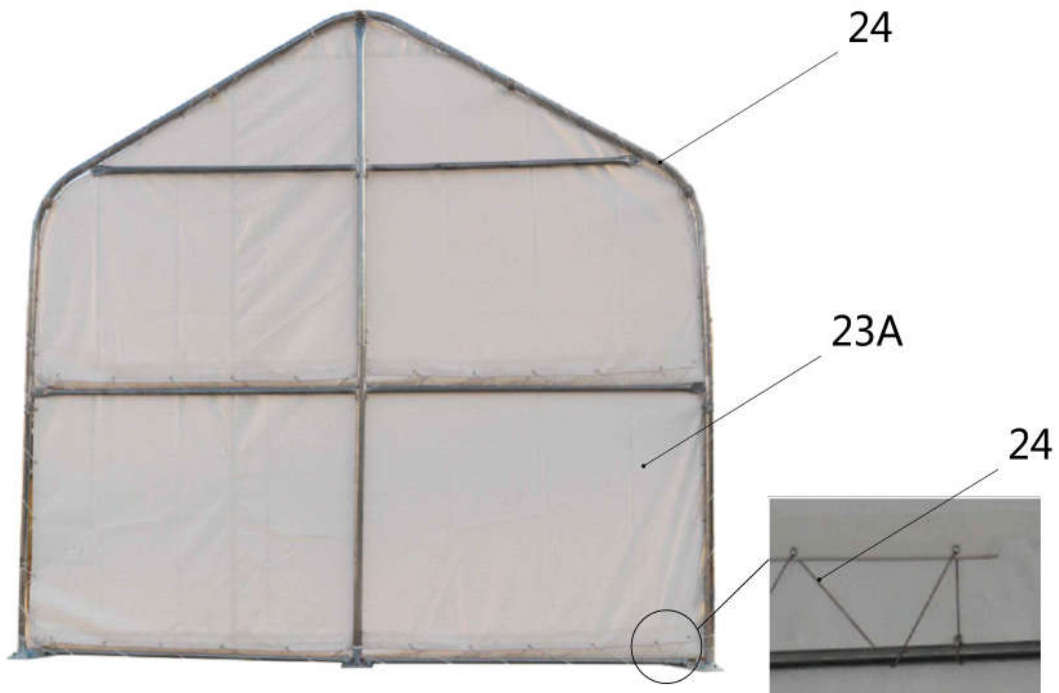




NO.	PART	QTY
15		1+1
20		2
21		2

NO.	PART	QTY
23		1
24		1

STEP 9 : INSTALL REAR COVER PANEL.

- The door cover must be zipped. Use rope (#24) to lift up the rear cover (#23A) from the center grommet and tie it firmly to the truss tube and spread toward both sides through each grommet along the tube.

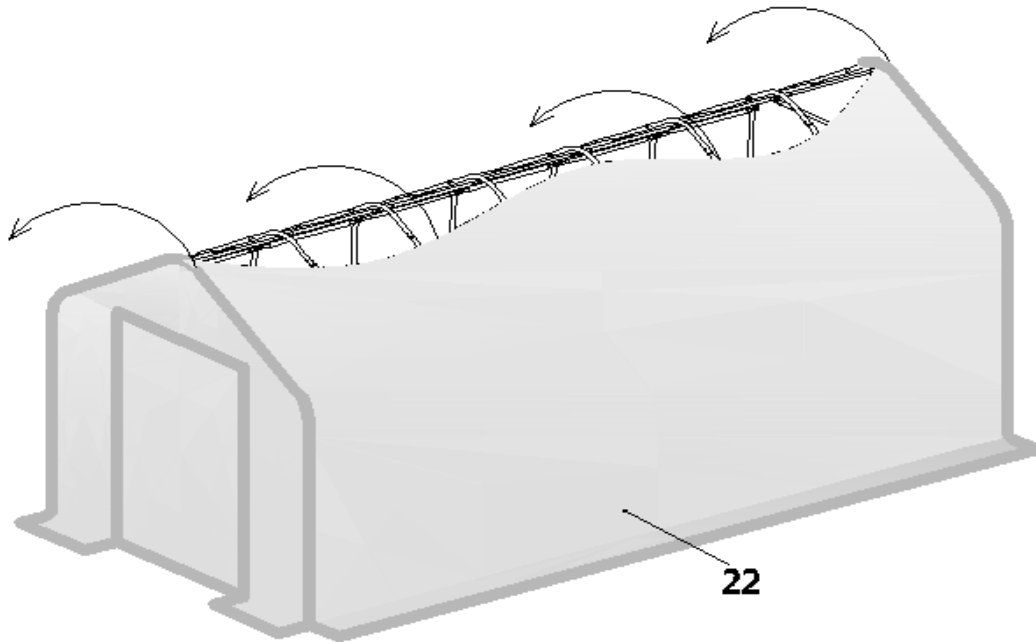


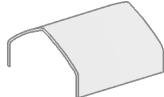
NO.	PART	QTY
23A		1
24		1

STEP 10 : INSTALL THE TOP COVER (#22).

DO NOT INSTALL THE COVER DURING WINDY WEATHER!

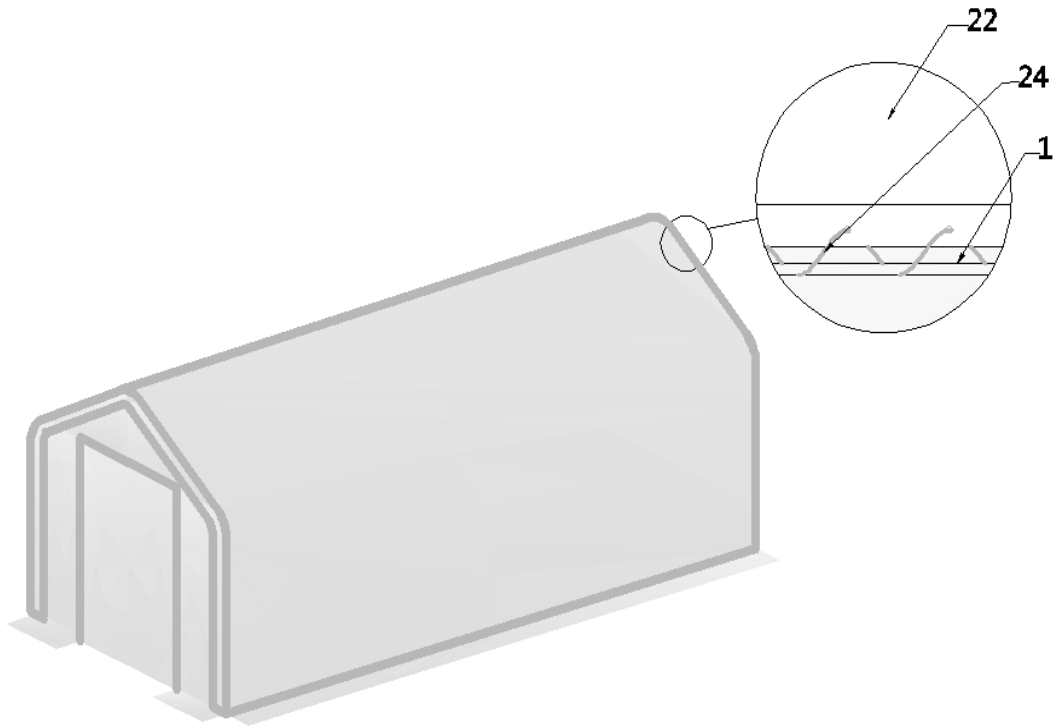
- Unpack the top cover and place it along one of the long sides of the structure.
- Use 3 to 5 ropes (#24) to pull the cover over the top of the structure, 2 or 3 people standing inside on ladders to push upwards will help to move the cover smooth without any damage.



NO.	PART	QTY
22		1

STEP 11 : STRETCH AND TIGHTEN TOP COVER.

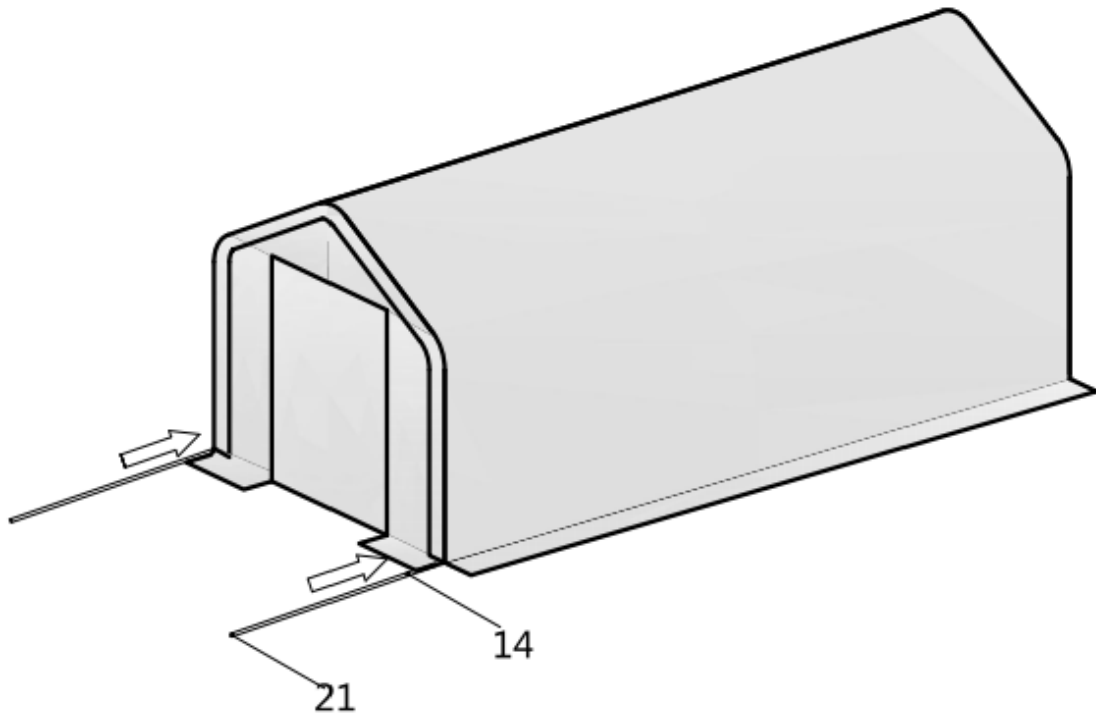
- The roof cover must be stretched and tied to the front and rear truss by rope going through the flap grommets on the cover. Start from the top center and go toward both side on each end. Add or cut the rope as needed.
- Pull and stretch the cover enough only to take wrinkles out. Repeat for the rear truss. Do not over stretch as it could rip off the grommets.





NO.	PART	QTY
24		1

STEP 12 : TENSION THE COVER ON THE STRUCTURE FROM BOTH SIDES.

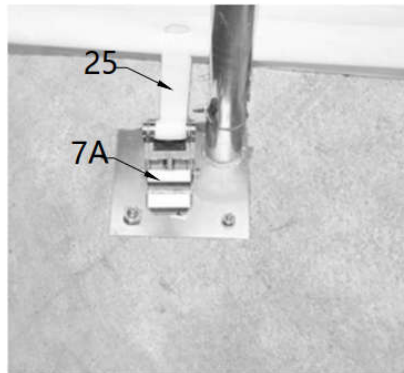
- Insert tension tubes (#14) slowly into the bottom groove pocket on both long sides. Add the water plug (#21) on the first tension tube to avoid tearing the fabric and add one to the end of last tube as well.





NO.	PART	QTY
14		10+2
21		4

STEP 13 : INSTALL RATCHET STRAPS.

- Stretch and adjust the cover from left and right, back and forth, to make sure it is square and centered. Cut the groove pocket where it aligns with ratchet (#7A), and use strap (#25) to pull tension tube (#14) toward the ratchet and tie it firmly there.
- Evenly adjust all ratchets on both sides to take wrinkles out and make the cover flat and smooth.



NO.	PART	QTY
7A		16
25		16

AFTER THE INSTALLATION.

Walk around and inspect the shelter periodically to make sure all components are still firmly secured and the whole shelter is well supported. Check all bolts and nuts as well as all connection points to make sure they are all in good position. Check the base plates, adjust the ropes and tie downs if required and clean the cover regularly.

Snow accumulating on the fabric cover must be removed as soon as possible. If snow becomes solid ice on the cover, it will increase the weight on the roof and may collapse the shelter or reduce the life span.

Keep the shelter on a dry ground most of the time. Do not keep the fabric dirt skirt under water all the time, otherwise the fabric will deteriorate.

We strongly recommend you remove any snow from the roof immediately. Do not leave any snow load on the roof overnight. Keep 3 feet of clearance on all sides at all times. Do not allow snow to accumulate and pile up on the sides of the building. Otherwise the pressure from the sides will push inwards and could lead to a collapse.

WARRANTY INFORMATION:

Please refer to our website for detailed warranty conditions and coverage.
For the most up-to-date and comprehensive warranty information, visit www.tmgindustrial.com