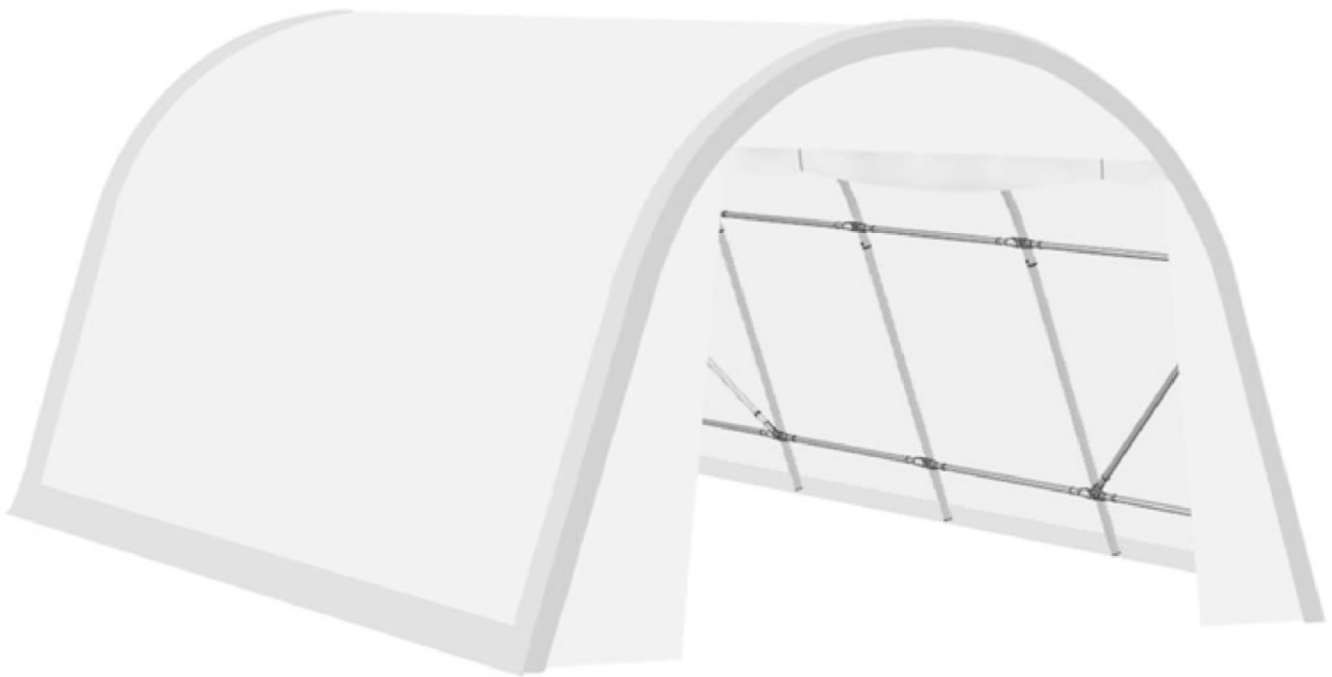


1220 Round Car Shelter

Model: TMG-1220RST



Please read the instructions **COMPLETELY** before assembly.

This shelter might not be suitable for local bylaws or weather conditions. It is the owner's responsibility to ensure the installation and use of this building are permitted by local authorities. Some municipalities may require engineering drawings to be submitted. It is the owner's responsibility to hire an engineer to submit drawings if required.

Main Specifications :

- Overall assembled size : W3.66 x L6 x H2.44 (m) / 12 x 20 x 8(ft)
- Front roll-up door :
 - Height clearance : 75 inch
 - Width clearance : 79 inch (top)-100 inch (bottom)

Prior to assembly

Please read the instructions carefully before installation. It is important to follow your local safety regulations and industry standards during installation. Regulations may include but are not limited to:

- Safety helmets, protective eyewear, and clothing
- Safety harnesses for all elevated workers
- Proper ladder, cage, and safety operation

Check all components and parts before installation. All parts are marked with a part number, please refer to the parts list to make sure you have all parts.













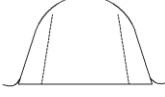


This shelter is not intended for human occupancy.

Installation steps

Step 1 : Review the whole structure and choose the proper installation site

Choose a solid flat level ground area to set up the building. Do not install the building on soft ground, wetland, uneven surfaces, sloped surfaces, or on top of structures that are not rated to hold its weight.

We strongly recommend that you build the structure on a solid foundation such as cement and use anchor bolts on all baseplates.

122008RST Part List				
Parts Code	Graphial	Description	Quantity	BOX
1		Peak arch tube	5	1/1
2		Middle arch tube	10	1/1
3		Lower straight tube	10	1/1
4		Purlins	20	1/1
5		Diagonal bracing bar	4	1/1
6		Corner baseplate	4	1/1
7		Middle baseplate	6	1/1
8		Tube clamp	4	1/1
9		Expansion bolt M10*100mm	34	1/1
10		Half round head bolt M10*60mm	25	1/1
11		Hex bolt M8*60mm	64	1/1
12		Fabric Top cover	1	1/1
13		Front cover panel w/roll up door	1	1/1
13A		Rear cover panel	1	1/1
14		Nylon rope(100m)	1	1/1

- Mark the ground with a line showing the positions of base plates, front, and rear doors. All lines should be drawn from center to center of all baseplate tubes. Diagonal line X must be equal to Y.
- Baseplates: all baseplates must be installed firmly with expansion bolts (#9) on this step (Figure 1).
- Parts used in this step :
 - (4) Corner baseplates (#6)
 - (6) Middle baseplates (#7)
 - (34) Expansion bolts (#9)

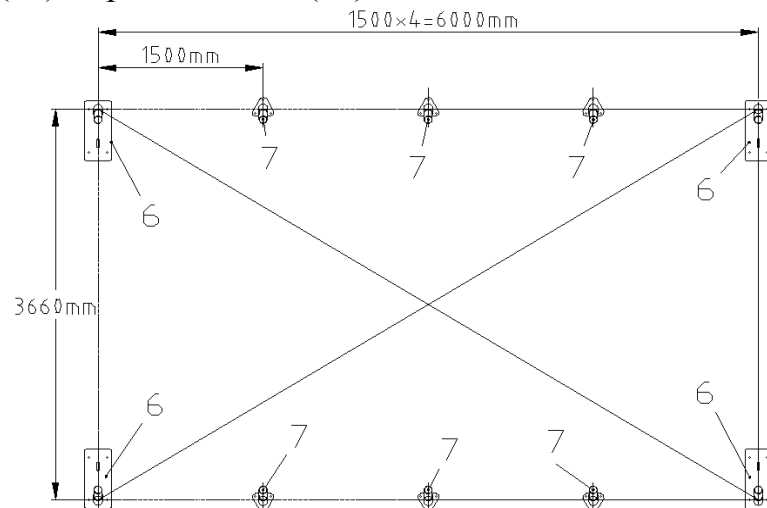


Figure 1

Step 2: Assemble all trusses

The shelter includes 5 trusses, assemble all truss tubes with hex bolts (#11).

Parts used in this step (refer to Figure 2) :

- (1x5) Peak Arch Tube (#1)
- (2x5) Middle Arch tube (#2)
- (2x5) Lower straight tube (#3)
- (2x5) Hex bolt (#11)

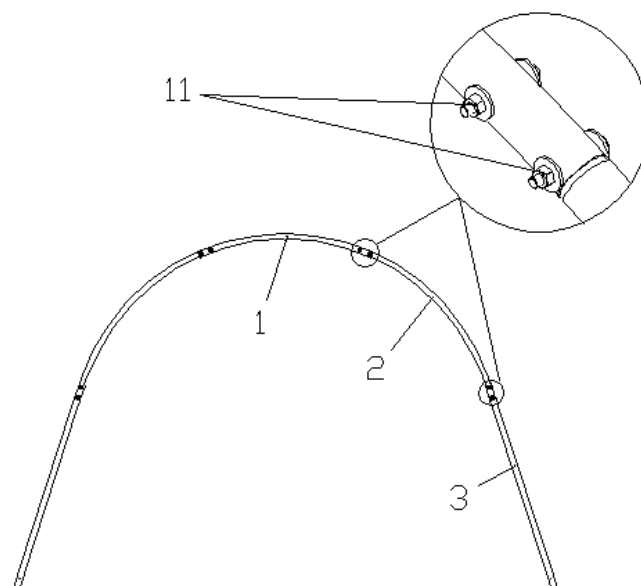


Figure 2

Lay down all (5) trusses on the ground as Figure 3 when the assembly is all completed and before moving to next step.

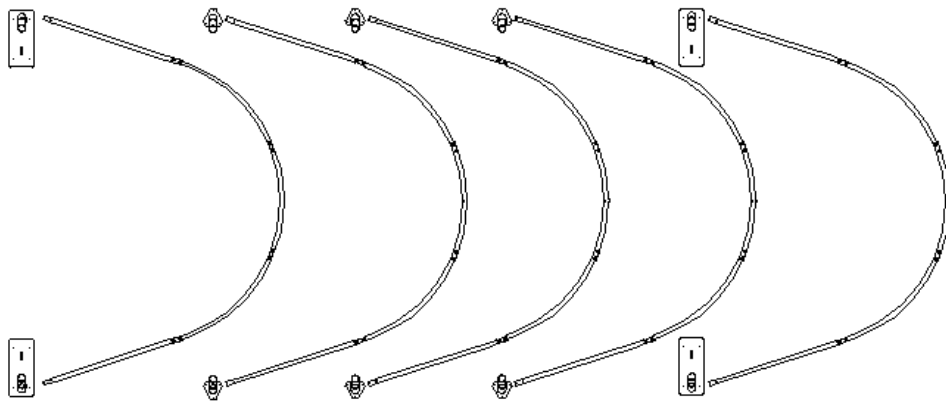


Figure 3

Step 3 : Put up all trusses

- Put up all 5 trusses, use hex bolt (#11) to secure the truss to the baseplates , but do not bolt it completely firmed yet (refer to Figure 4)

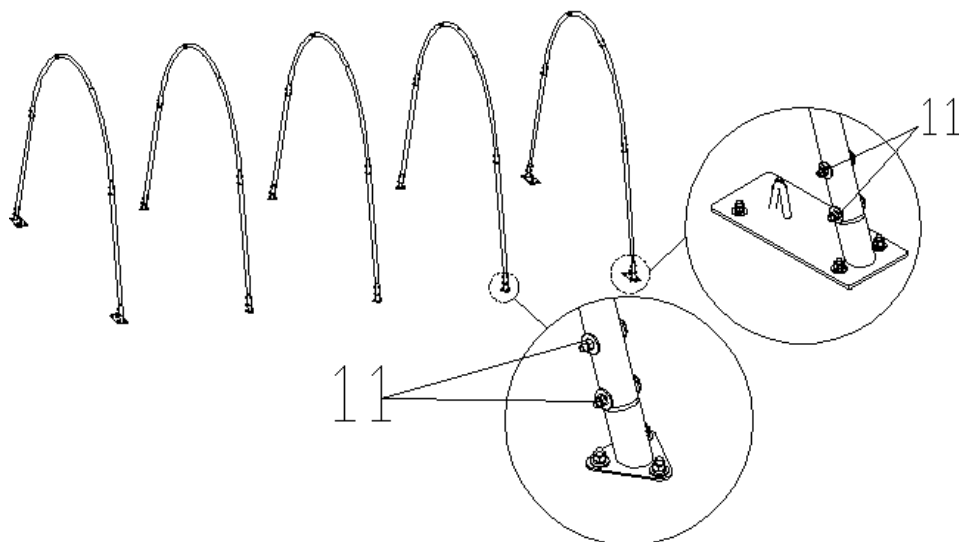


Figure 4

- Install all 5 purlins (#4) on each section, and the two diagonal bracing bars (#5) on the first and last section, use bolt (#10), (#8) and tube clamp (#8). See Figure 5.

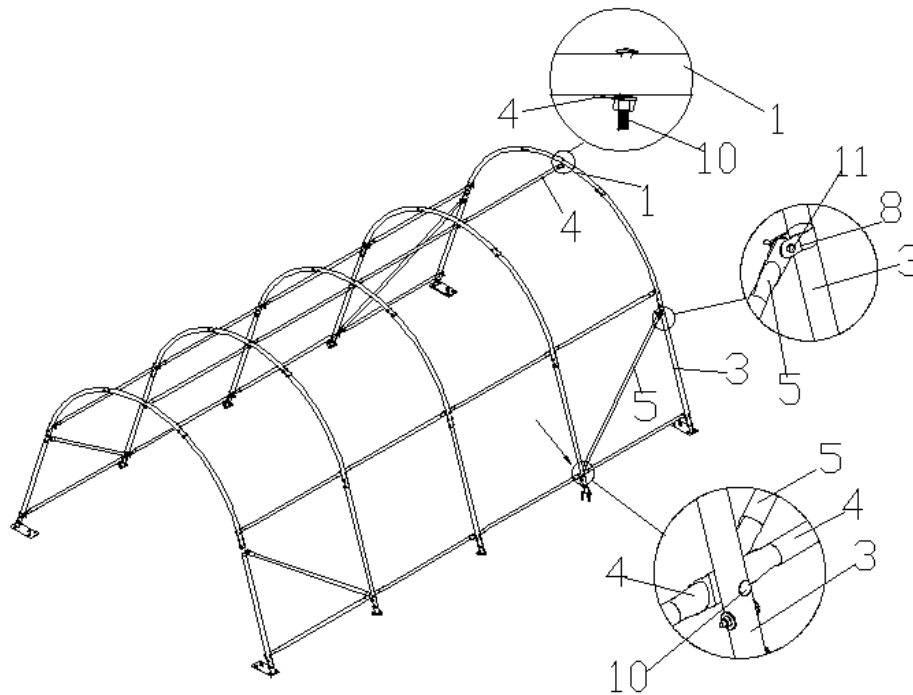


Figure 5

Step 4 : Install front and rear cover panels

The front and rear cover must be zipped before the installation. Use rope (#14) to lift up the cover (#13/13A) from the center grommet and tie it firm to the truss tube and spread toward both sides through each grommet along the tube. (Refer to Figure 6- Figure 7)

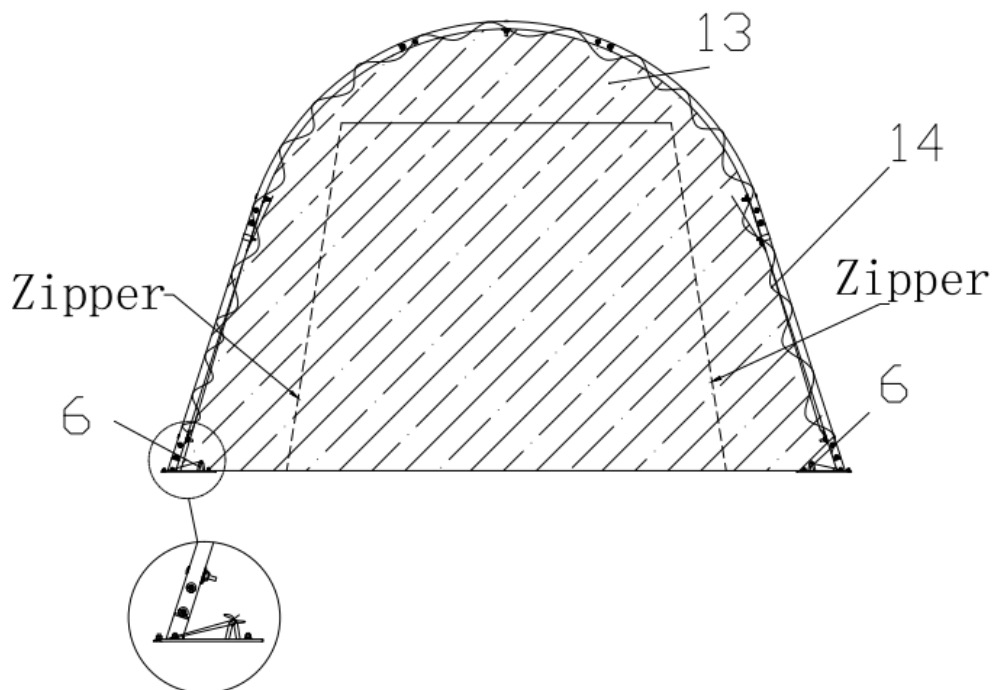


Figure 6

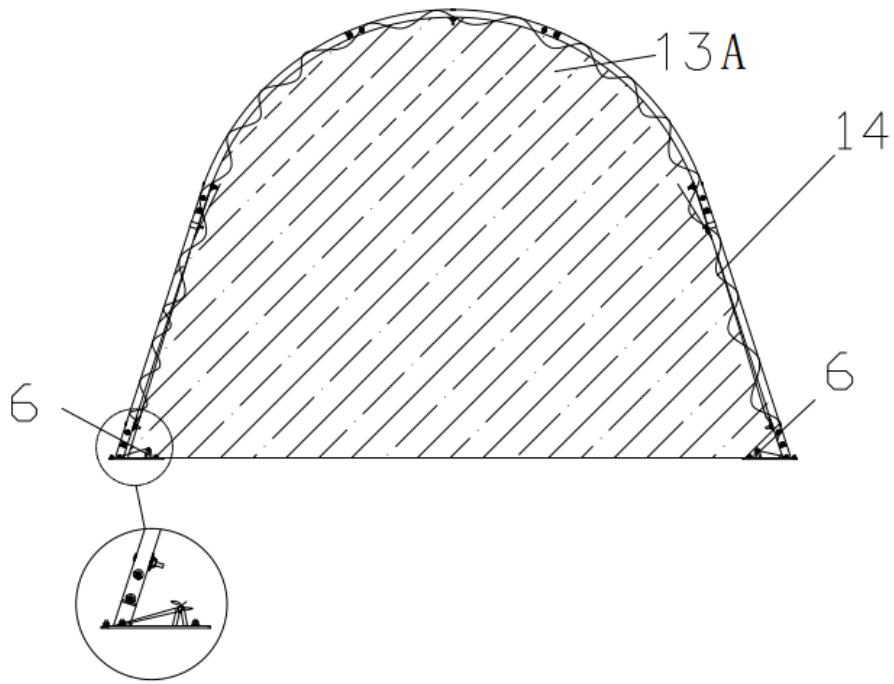


Figure 7

Step 5 : Install roof cover.

Do not install the cover during windy weather!

- Unpack the top cover and place it along one of the long sides of the structure.
- Pull the cover over the top of the structure from both ends, to have one person standing inside to push upwards will help to move the cover smooth without any damage (Figure 8).

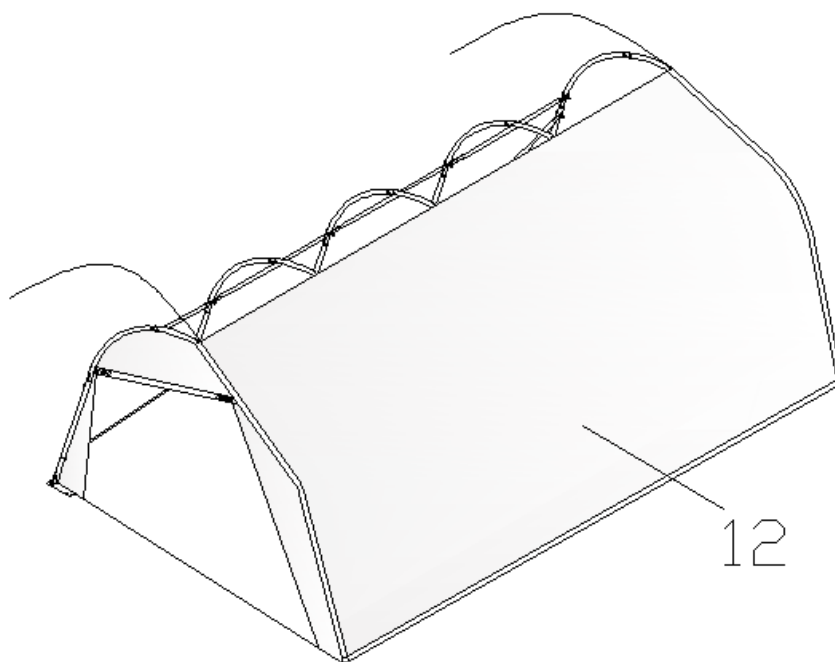


Figure 8

Step 6 : Stretch and tighten top cover.

- The roof cover must be stretched and tied to the front and rear truss by rope going through the flap grommets on the cover. Start from the top center and go toward both sides on each end. Add or cut the rope as needed.
- Pull and stretch the cover enough only to take wrinkles out. Do not over stretch as it could rip off the grommets (Figure 9).

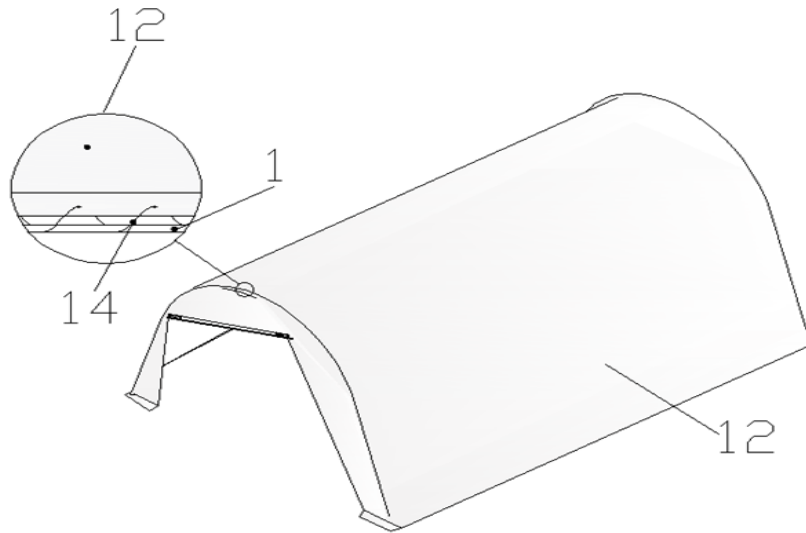


Figure 9

After the Installation

Walk around and inspect the shelter periodically to make sure all components are still firmly secured and the whole shelter is well supported. Check all bolts and nuts as well as all connection points to make sure they are all in a good position. Check the base plates, adjust the ropes and tie-downs if required and clean the cover regularly.

Snow accumulating on the fabric cover must be removed as soon as possible. If snow becomes solid ice on the cover, it will increase the weight on the roof and may collapse the shelter or reduce the life span.

Keep the shelter on a dry ground most of the time. Do not keep the fabric dirt skirt underwater all the time, otherwise, the fabric will deteriorate.

We strongly recommend you remove any snow from the roof immediately. Do not leave any snow load on the roof overnight. Keep 3 feet of clearance on all sides at all times. Do not allow snow to accumulate and pile up on the sides of the building. Otherwise, the pressure from the sides will push inwards and could lead to a collapse.