

MODEL TMG-SRR75

72" Root Rake Grapple SS Attachment



⚠️ WARNING



- Please read and understand the product manual completely before assembly
- Check against the parts list to make sure all parts are received
- Wear proper safety goggles or other protective gears while in assembly
- Do not return the product to dealer. They are not equipped to handle your requests.

Missing parts or questions on assembly?

Please call: 1-877-761-2819 or email: cs@tmgindustrial.com

IMPORTANT SAFETY INFORMATION

Your safety

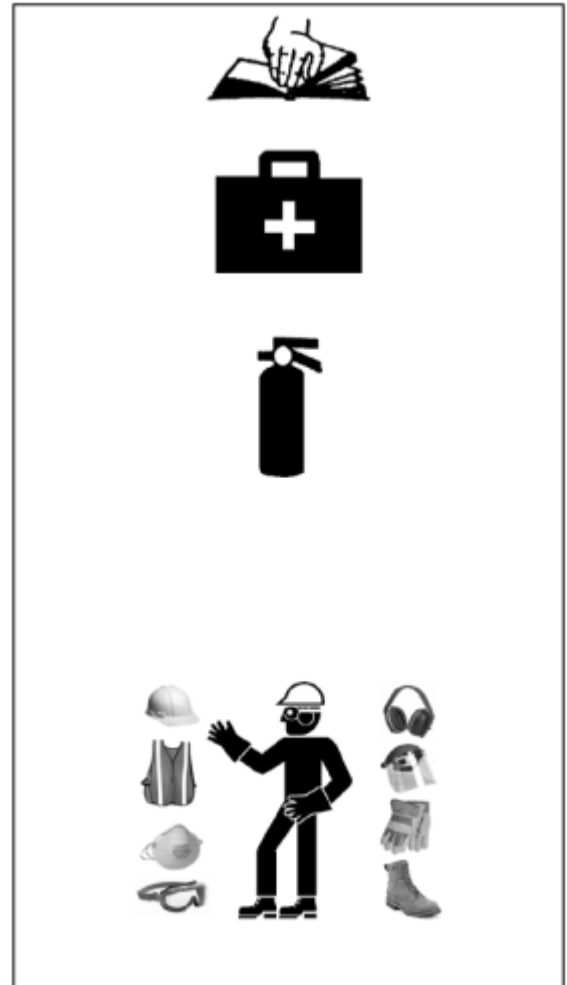
You are responsible for the SAFE operation and maintenance of your TMG Root Rake Grapple SS Attachment. YOU must ensure that you and anyone else who is going to use, maintain or work around the Skid Steer Mounted Skeleton Grapple Bucket be familiar with the using and maintenance procedures and related SAFETY information contained in this manual. This manual will take you step-by-step through your working day and alerts you to all good safety practices that should be used while using the Skid Steer Mounted Skeleton Grapple Bucket.

Remember, you. are the key to safety. Good safety practices not only protect you but also the people around you. Make these practices a working part of your safety program. Be certain that EVERYONE using this equipment is familiar with the recommended using and maintenance procedures and follows all the safety precautions. Most accidents can be prevented. Do not risk injury or death by ignoring good safety practices.

- Skid Steer Mounted Skeleton Grapple Bucket owners must give operating instructions to operators or employees before allowing them to operate the machine, and at least annually thereafter.
- The most important safety device on this equipment is a SAFE operator. It is the operator's responsibility to read and understand ALL Safety and Operating instructions in the manual and to follow these. Most accidents can be avoided.
- A person who has not read and understood all using and safety instructions is not qualified to use the machine. An untrained operator exposes himself and bystanders to possible serious injury or death.
- Do not modify the equipment in any way. Unauthorized modification may impair the function and/or safety and could affect the life of the equipment.
- Think SAFETY! Work SAFELY!

General Safety

1. Read and understand the Operator's Manual and all safety signs before using, maintaining, adjusting or cleaning the Skid Steer Mounted Skeleton Grapple Bucket.
2. Have a first-aid kit available for use should the need arise and know how to use it.
3. Have a fire extinguisher available for use should the need arise and know how to use it.
4. Do not allow riders
5. Do not allow riders.5. Wear appropriate protective gear. This list includes but is not limited to:
 - A hard hat
 - Protective shoes with slip resistant soles
 - Heavy gloves
 - Wet weather gear
 - Hearing Protection
6. Install and secure all guards before starting.
7. Wear suitable ear protection for prolonged exposure to excessive noise.
8. Turn machine off, stop and disable engine, remove ignition key and place in your pocket, set park brake and wait for all moving parts to stop before servicing, adjusting, repairing, or unplugging.
9. Clear the area of people, especially small children, before using the unit.
10. Review safety related items annually with all personnel who will operating or maintaining the Skid Steer Mounted Skeleton Grapple Bucket.



Hydraulic Safety

1. Make sure that all the components in the hydraulic system are kept in good condition and are clean.
2. Before applying pressure to the system, make sure all components are tight, and that lines, hoses and couplings are not damaged.
3. Do not attempt any makeshift repairs to the hydraulic lines, fittings, or hoses by using tapes, clamps or cements. The hydraulic system operates under extremely high pressure. Such repairs will fail suddenly and create a hazardous and unsafe condition.
4. Wear proper hand and eye protection when searching for a high-pressure hydraulic leak. Use a piece of wood or cardboard as a backstop instead of hands to isolate and identify a leak.



5. If injured by a concentrated high-pressure stream of hydraulic fluid, seek medical attention immediately. Serious infection or toxic reaction can develop from hydraulic fluid piercing the skin surface.
6. Relieve pressure on hydraulic system before maintaining or working on system.

WARNING!

A small stream of oil from a pinhole leak could penetrate your skin if contacted. To avoid an accident that could result in Death or Serious Injury, never use your hand or other body parts in an attempt to locate a hydraulic leak.

NOTICE!

Always release the hydraulic system pressure from the hydraulic circuits prior to removing the attachment or any hydraulic system service work.

MAINTENANCE

Before Every Use

Check that all fasteners (nuts, bolts, pins, keepers) are in their right place and are tight. Inspect and replace any worn, torn or missing safety decals. Investigate the location of any oil leaks and repair. Lubricate all joints with lithium grease.

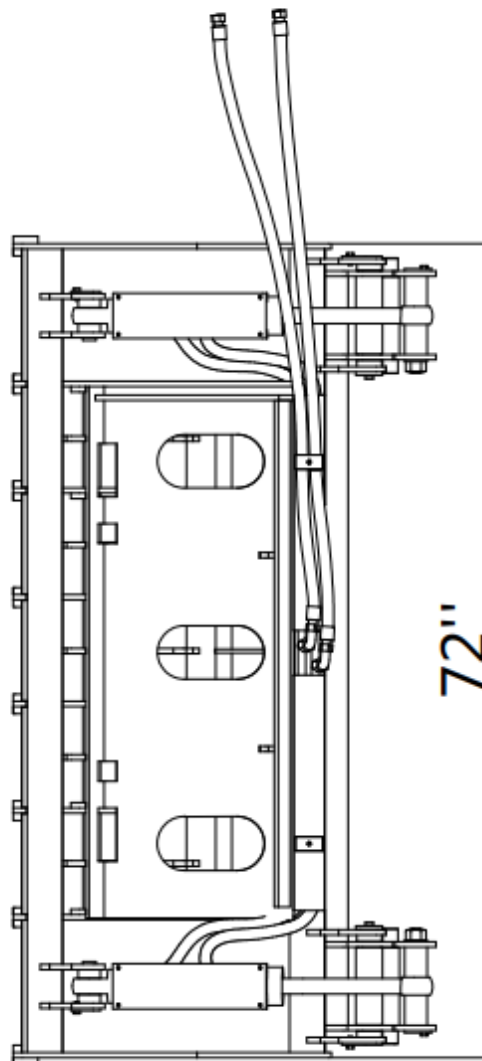
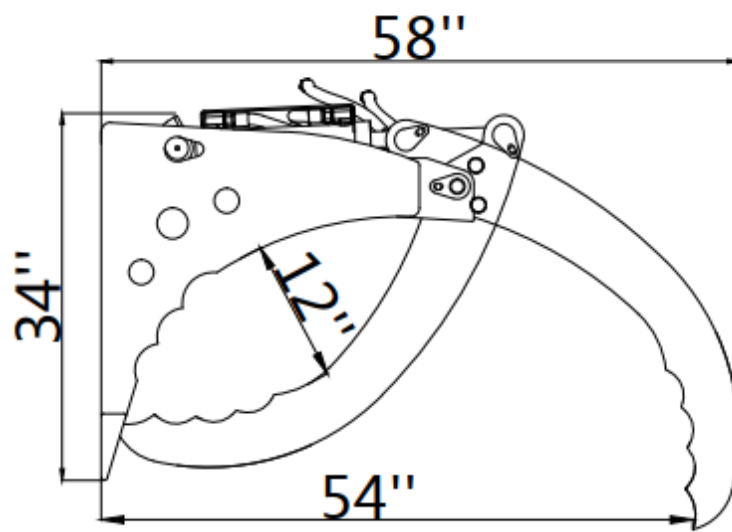
Every Week

Check the condition of the cutting edge and/or tooth points. Order parts if the cutting edge or points are becoming worn and replace as soon as possible.

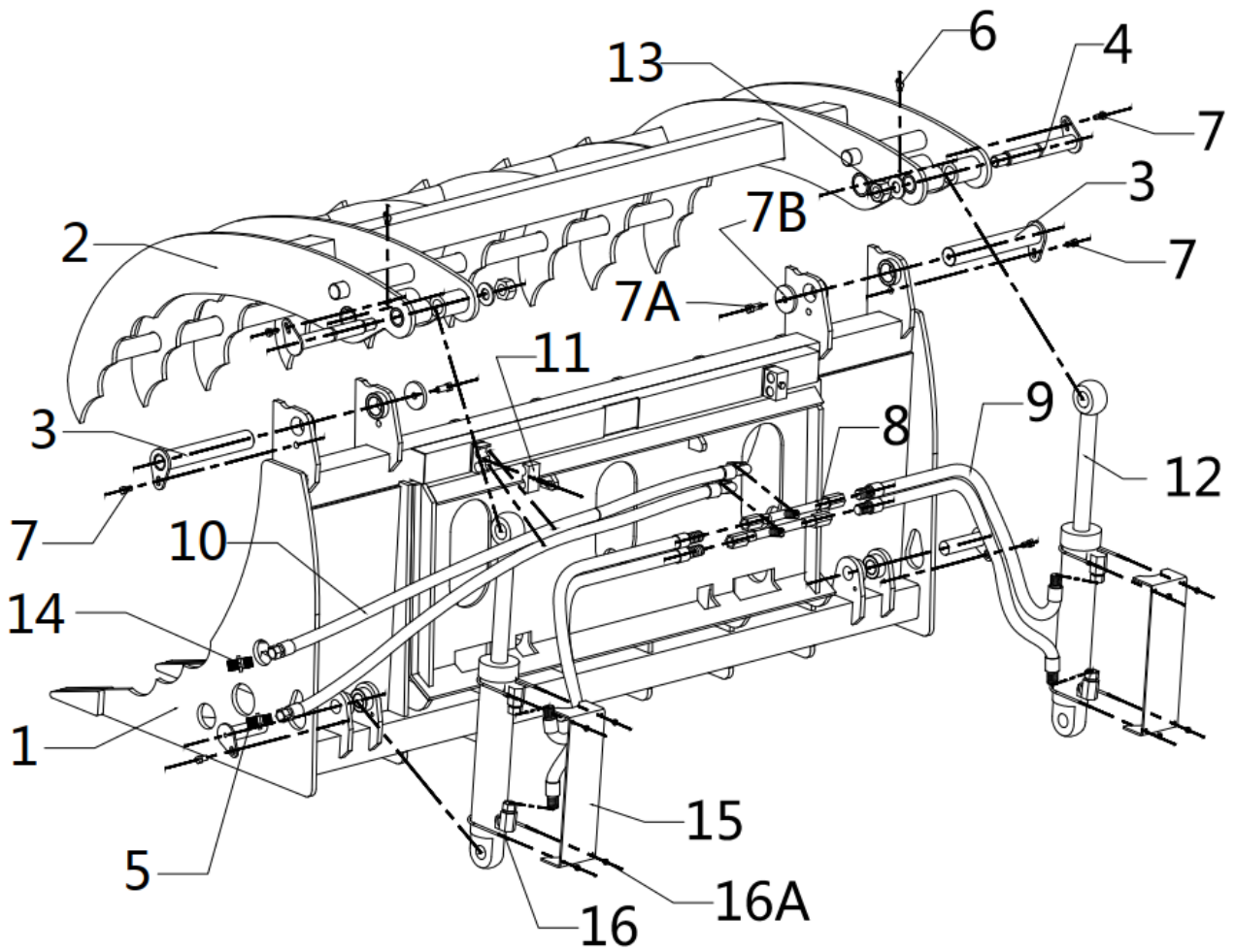
After Every Season

Inspect the implement for any loose or worn parts that may need to be replaced prior to the next season. Visually inspect the cutting edge. Replace, if necessary. Clean, sand & repaint any area that looks worn or scratched to prevent further rusting. Use an equipment paint found at your local hardware store or building center. Replace any warning decals that have been lost or damaged. Store your implement in a shed or cover with a water-proof tarp to protect it from the weather. Store in an area not frequented by children.

Structure diagram



Exploded view



Part#	Item	Description	Specification	Qty
1	RG72PRO-01	Lower Rake	72"	1
2	RG72PRO-02	Upper Rake	72"	1
3	RG72PRO-03	Pin1	φ40x252mm	2
4	RG72PRO-04	Pin2	φ30x235mm	2
5	RG72PRO-05	Pin3	φ30x110mm	2
6	RG72PRO-06	Butter mouth	M10	2
7	RG72PRO-07	Bolt	M10x20mm	6
8	RG72PRO-7A	Bolt	M12x20mm	2
9	RG72PRO-7B	shim	φ13/φ50	2
10	RG72PRO-08	three-way valve	M18x1.5	2
11	RG72PRO-09	Hydraulic Hose	0.9m/M18x1.5	4
12	RG72PRO-10	Hydraulic Hose	2.5m/M18x1.5	2
13	RG72PRO-11	Hose Clamp	φ22	2
14	RG72PRO-12	Hydraulic Cylinder	63/250	2
15	RG72PRO-13	Locknut	M18x1.5	2
16	RG72PRO-14	Adapter	NPT-1/2, M18x1.5	2
17	RG72PRO-15	Guard plate		2
18	RG72PRO-16	U-bolt	M6x76x145	4
19	RG72PRO-16A	Locknut	M6	4