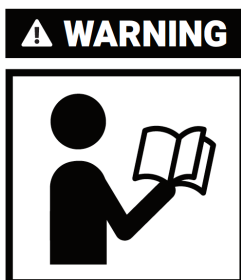
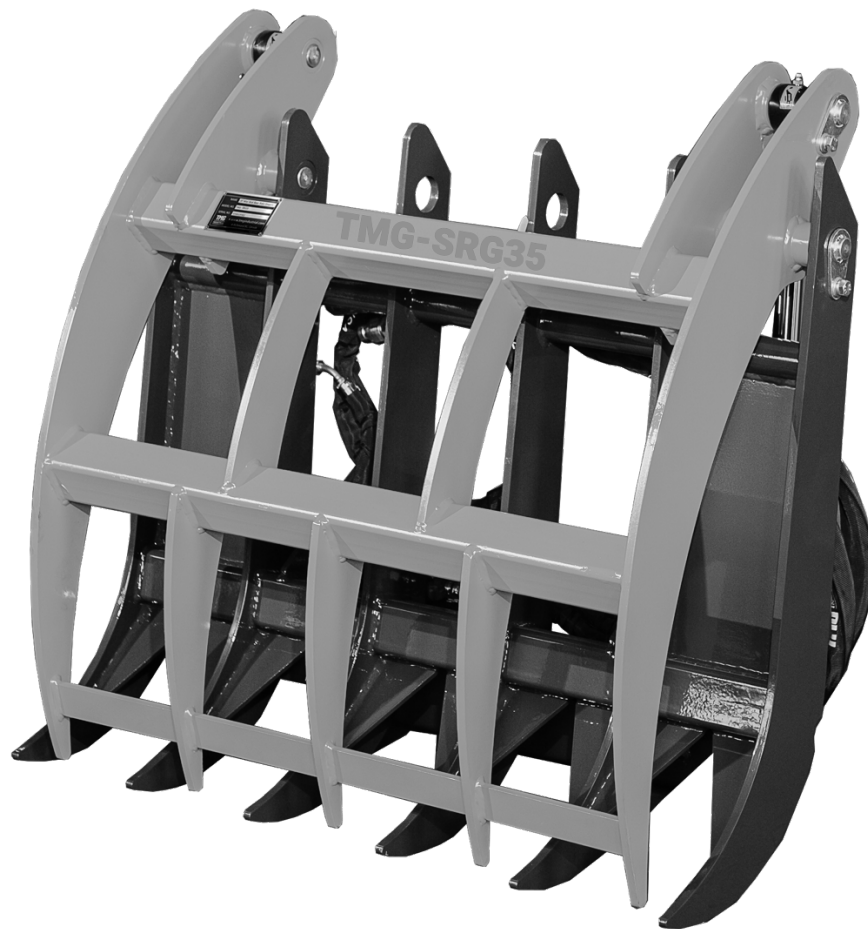


35" MINI SKID STEER RAKE GRAPPLE



- Please read and understand the product manual completely before assembly
- Check against the parts list to make sure all parts are received
- Wear proper safety goggles or other protective gears while in assembly
- Do not return the product to dealer. They are not equipped to handle your requests.

Missing parts or have questions on assembly?
Please call: 1-877-761-2819 or email: cs@tmgindustrial.com

CONTENTS

IMPORTANT SAFETY INFORMATION	3
YOUR SAFETY	3
GENERAL SAFETY	3
EQUIPMENT SAFETY GUIDELINES	4
SAFETY TRAINING	5
SAFETY SIGNS	5
SAFETY DECALS	5
PREPARATION	6
MAINTENANCE SAFETY	6
HYDRAULIC SAFETY	7
TRANSPORT SAFETY	8
TO THE NEW OPERATOR OR OWNER	8
OPERATION	8
MACHINE COMPONENTS	8
HOOK-UP TORO MOUNT HITCH	9
UNHOOK TORO MOUNT HITCH	9
HYDRAULIC CONNECTIONS & MOUNTING	10
GRAPPLE ATTACHMENT TIPS	10
MAINTENANCE	12
BEFORE EVERY USE	12
EVERY WEEK	12
AFTER EVERY SEASON	12
CUTTING EDGE REMOVAL & REPLACEMENT	12
HYDRAULIC SYSTEM	13
BOLT TORQUE	13
SPECIFICATION	14
SPECIFICATIONS & CAPACITIES	14
PARTS LIST	15
MINI SKID STEER RAKE GRAPPLE ASSEMBLY	15
SRG35 SPARE PARTS LIST	16
HYDRAULIC COMPONENTS	16

IMPORTANT SAFETY INFORMATION

Your Safety

YOU are responsible for the SAFE operation and maintenance of your TMG Mini Skid Steer Rake Grapple. YOU must ensure that you and anyone else who is going to use, maintain or work around the Mini Skid Steer Rake Grapple be familiar with the using and maintenance procedures and related SAFETY information contained in this manual. This manual will take you step-by-step through your working day and alerts you to all good safety practices that should be used while using the Mini Skid Steer Rake Grapple.

Remember, YOU are the key to safety. Good safety practices not only protect you but also the people around you. Make these practices a working part of your safety program. Be certain that EVERYONE using this equipment is familiar with the recommended using and maintenance procedures and follows all the safety precautions. Most accidents can be prevented. Do not risk injury or death by ignoring good safety practices.

1. Mini Skid Steer Rake Grapple owners must give operating instructions to operators or employees before allowing them to operate the machine, and at least annually thereafter.
2. The most important safety device on this equipment is a SAFE operator. It is the operator's responsibility to read and understand ALL Safety and Operating instructions in the manual and to follow these. Most accidents can be avoided.
3. A person who has not read and understood all using and safety instructions is not qualified to use the machine. An untrained operator exposes himself and bystanders to possible serious injury or death.
4. Do not modify the equipment in any way. Unauthorized modification may impair the function and/or safety and could affect the life of the equipment.
5. Think SAFETY! Work SAFELY!

General Safety

1. Read and understand the Operator's Manual and all safety signs before using, maintaining, adjusting, or cleaning the Mini Skid Steer Rake Grapple.
2. Have a first-aid kit available for use should the need arise and know how to use it.
3. Have a fire extinguisher available for use should the need arise and know how to use it.
4. Do not allow riders.
5. Wear appropriate protective gear. This list includes but is not limited to:

- A hard hat
- Protective shoes with slip resistant soles
- Heavy gloves



- Wet weather gear
- Hearing Protection



6. Install and secure all guards before starting.
7. Wear suitable ear protection for prolonged exposure to excessive noise.
8. Turn machine off, stop and disable engine, remove ignition key and place in your pocket, set park brake and wait for all moving parts to stop before servicing, adjusting, repairing, or unplugging.
9. Clear the area of people, especially small children, before using the unit.
10. Review safety related items annually with all personnel who will operating or maintaining the Mini Skid Steer Rake Grapple.

Equipment Safety Guidelines

1. Safety of the operator and bystanders is one of the main concerns in designing and developing equipment. However, every year many accidents occur which could have been avoided by a few seconds of thought and a more careful approach to handling equipment. You, the operator, can avoid many accidents by observing the following precautions in this section. To avoid personal injury or death, study the following precautions and insist those working with you, or for you to follow them.
2. In order to provide a better view, certain photographs or illustrations in this manual may show an assembly with a safety shield removed. However, equipment should never be used in this condition. Keep all shields in place. If shield removal becomes necessary for repairs, replace the shield prior to use.
3. Replace any safety sign or instruction sign that is not readable or is missing. Location of such safety signs is indicated in this manual.
4. Never use alcoholic beverages or drugs which can hinder alertness or coordination while using this equipment. Consult your doctor about using this machine while taking prescription medications.
5. Under no circumstances should young children be allowed to work with this equipment. Do not allow persons to use or assemble this unit until they have read this manual and have developed a thorough understanding of the safety precautions and of how it works. Review the safety instructions with all users annually.
6. This equipment is dangerous to children and persons unfamiliar with its operation. The operator should be a responsible, properly trained and physically able person familiar with machinery and trained in this equipment's operations. If the elderly are assisting with work, their physical limitations need to be recognized and accommodated.
7. Never exceed the limits of a piece of machinery.
8. If its ability to do a job, or to do so safely, is in question - DON'T TRY IT.
9. Do not modify the equipment in any way. Unauthorized modification may result in serious injury or death and may impair the function and life of the equipment.

10. In addition to the design and configuration of this implement, including Safety Signs and Safety Equipment, hazard control and accident prevention are dependent upon the awareness, concern, prudence, and proper training of personnel involved in the operation, transport, maintenance, and storage of the machine. Refer also to Safety Messages and operation instruction in each of the appropriate sections of the Mini Skid Steer and machine manuals. Pay close attention to the Safety Signs affixed to the Mini Skid Steer and the machine.

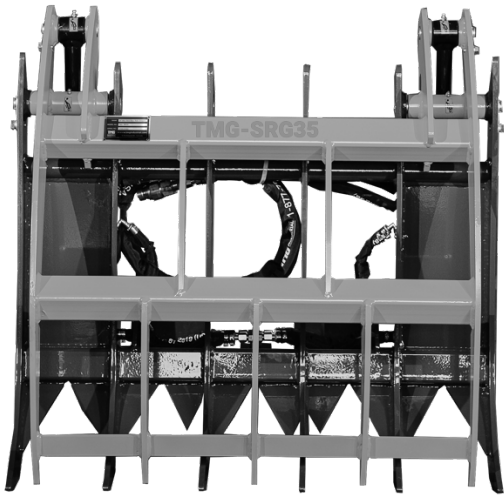
Safety Training

1. Safety is a primary concern in the design and manufacture of our products. Unfortunately, our efforts to provide safe equipment can be wiped out by a single careless act of an operator or bystander.
2. In addition to the design and configuration of equipment, hazard control and accident prevention are dependent upon the awareness, concern, prudence, and proper training of personnel involved in the operation, transport, maintenance, and storage of this equipment.
3. It has been said, "The best safety feature is an informed, careful operator." We ask you to be that kind of an operator. It is the operator's responsibility to read and understand ALL Safety and Using instructions in the manual and to follow these. Accidents can be avoided.
4. If this machine is used by any person other than yourself, or is loaned or rented, it is the machine owner's responsibility to make certain that the operator, prior to using:
 - a. Reads and understands the operator's manuals.
 - b. Is instructed in safe and proper use.
5. Know your controls and how to stop the Mini Skid Steer tractor and machine quickly in an emergency. Read this manual and the one provided with Mini Skid Steer tractor.
6. Train all new personnel and review instructions frequently with existing workers. Be certain only a properly trained and physically able person will use the machinery. A person who has not read and understood all using and safety instructions is not qualified to use the machine. An untrained operator exposes himself and bystanders to possible serious injury or death. If the elderly is assisting with the work, their physical limitations need to be recognized and accommodated.

Safety Signs

1. Always keep safety signs clean and legible.
2. Replace safety signs that are missing or have become illegible.
3. Replaced parts that displayed a safety sign should also display the current sign.
4. Safety signs have a part number in the lower righthand corner. Use this part number when ordering replacement parts.
5. Safety signs are available from your authorized Distributor or Dealer Parts Department or the factory.

Safety Decals



Preparation

1. Never use the machine until you have read and completely understand this manual, the Mini Skid Steer tractor Operator's Manual and each of the Safety Messages found on the safety signs on the Mini Skid Steer tractor and machine.
2. Personal protection equipment including hard hat, safety glasses, safety shoes, and gloves are recommended during assembly, installation, operation, adjustment, maintaining, repairing, removal, cleaning, or moving the unit. Do not allow long hair, loose fitting clothing or jewelry to be around equipment.
3. **PROLONGED EXPOSURE TO LOUD NOISE MAY CAUSE PERMANENT HEARING LOSS!**
 - a) Power equipment with or without equipment attached can often be noisy enough to cause permanent, partial hearing loss. We recommend that you wear hearing protection on a full-time basis if the noise in the Operator's position exceeds 80db. Noise over 85db on a long-term basis can cause severe hearing loss. Noise over 90db adjacent to the Operator over a long-term basis may cause permanent, total hearing loss. NOTE: Hearing loss from loud noise (from tractors, chain saws, radios, and other such sources close to the ear) is cumulative over a lifetime without hope of natural recovery.
4. Clear working area of stones, branches or hidden obstacles that might be hooked or snagged, causing injury or damage.
5. Use only in daylight or good artificial light.
6. Be sure machine is properly mounted, adjusted and in good operating condition.
7. Ensure that all safety shielding, and safety signs are properly installed and in good condition.

Maintenance Safety

1. Good maintenance is your responsibility. Poor maintenance is an invitation to trouble.
2. Follow good shop practices.
 - a) Keep service area clean and dry.
 - b) Be sure electrical outlets and tools are properly grounded.
 - c) Use adequate light for the job at hand.

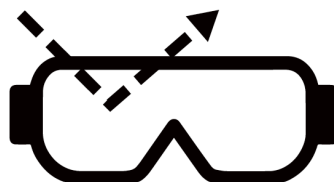


3. Make sure there is plenty of ventilation. Never operate the engine of the towing vehicle in a closed building. The exhaust fumes may cause asphyxiation.
4. Before working on this machine, shut off the engine, set the brake, and turn fuel valve off.
5. Never work under equipment unless it is blocked securely.
6. Always use personal protection devices such as eye, hand and hearing protectors, when performing any service or maintenance work. Use heavy or leather gloves when handling blades.
7. Where replacement parts are necessary for periodic maintenance and servicing, genuine factory replacement parts must be used to restore your equipment to original specifications. The manufacturer will not be responsible for injuries or damages caused by use of unapproved parts and/or accessories.
8. A fire extinguisher and first aid kit should be kept readily accessible while performing maintenance on this equipment.
9. Periodically tighten all bolts, nuts and screws and check that all electrical and fuel connections are properly secured to ensure unit is in a safe condition.
10. When completing a maintenance or service function, make sure all safety shields and devices are installed before placing unit in service.



Hydraulic Safety

1. Make sure that all the components in the hydraulic system are kept in good condition and are clean.
2. Before applying pressure to the system, make sure all components are tight, and that lines, hoses and couplings are not damaged.
3. Do not attempt any makeshift repairs to the hydraulic lines, fittings, or hoses by using tapes, clamps or cements. The hydraulic system operates under extremely high pressure. Such repairs will fail suddenly and create a hazardous and unsafe condition.
4. Wear proper hand and eye protection when searching for a high-pressure hydraulic leak. Use a piece of wood or cardboard as a backstop instead of hands to isolate and identify a leak.



5. If injured by a concentrated high-pressure stream of hydraulic fluid, seek medical attention immediately. Serious infection or toxic reaction can develop from hydraulic fluid piercing the skin surface.
6. Relieve pressure on hydraulic system before maintaining or working on system.

Transport Safety

1. Comply with state and local laws governing safety and transporting of machinery on public roads.
2. Check that all the lights, reflectors and other lighting requirements are installed and in good working condition.
3. Do not exceed a safe travel speed. Slow down for rough terrain and cornering.
4. Do not drink and drive.
5. Be a safe and courteous driver. Always yield to oncoming traffic in all situations, including narrow bridges, intersections, etc. Watch for traffic when operating near or crossing roadways.

To the New Operator or Owner

Follow all safety instructions exactly. Safety is everyone's business. By following recommended procedures, a safe working environment is provided for the operator, bystanders, and the area around the worksite. Untrained operators are not qualified to operate the machine.

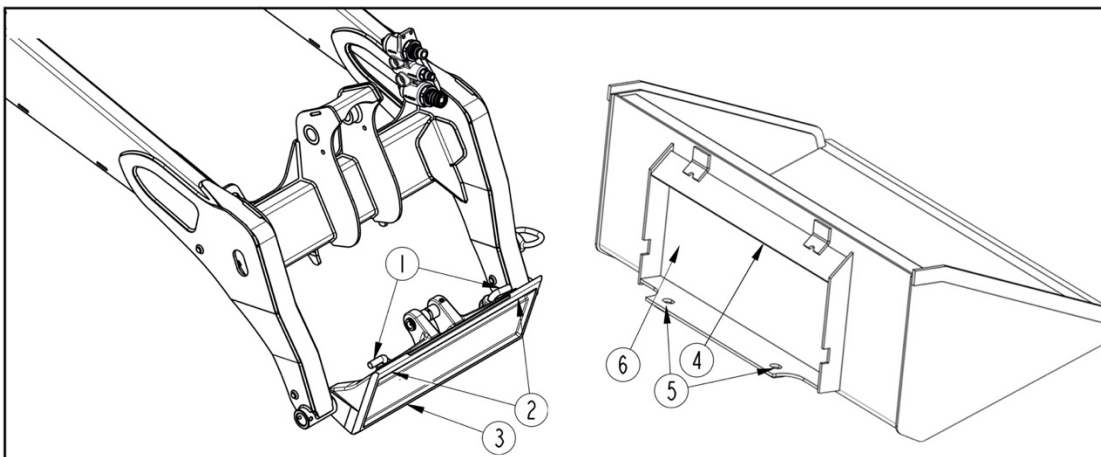
Many features incorporated into this machine are the result of suggestions made by customers like you. Read this manual carefully to learn how to use the chipper safely and how to set it to provide maximum field efficiency. By following the using instructions in conjunction with a good maintenance program, your Mini Skid Steer Rake Grapple will provide many years of trouble- free service.

OPERATION

Machine Components

When attaching the Skeleton to a Mini Skid Steer, follow this procedure:

1. Make sure that all bystanders, especially small children are clear of the work area.
2. Make sure there is enough room and clearance to safely drive up to the Skeleton.
3. Drive up to The Skeleton while aligning the mounting components, and hook up into the mount.



Hook-up Toro mount Hitch

The Mini Steer Skid Bucket utilizes a Toro mount receiver plate for easy connection and disconnection.

1. Check loader and bucket hitch plates before hooking-up the bucket. Make sure all components are in good working condition before putting them into service:

Check for and remove any debris in the loader and bucket hitch plates.

Check for structural cracks in the hitch plates. Repair or replace hitch plates as needed.

Check hitch components frequently. Repair or replace any part that is excessively worn, bent, broken, or missing.

Lubricate lock pins (#1) at the prescribed interval in your compact loader manual.

Check operation of lock pins (#1). Lock pins must move freely and extend fully into the hitch plate bottom slots (#5).

2. Raise lock pins (#1) by rotating the handles 180° until they point out as shown.
3. Use anti-slip steps/surfaces and grab handles on the compact loader when stepping on and off the unit.
4. Start compact loader.
5. Drive slowly to the bucket while making sure the loader's hitch plate top (#2) is parallel with the bucket's top angle bar (#4).
6. Tilt top of loader hitch plate (#2) slightly forward.
7. Place top of loader's hitch plate (#2) under the bucket's top angled bar (#4) and slowly raise loader hitch plate (#3) up until the loader hitch plate is seated under the top angle bar.
8. Tilt top of loader hitch plate (#2) back until the bucket hitch plate (#6) makes full contact with the face of loader hitch plate (#3) and the bucket's hitch plate (#6) is slightly off the ground.
9. Shut compact loader down before dismounting.
10. Lower lock pins (#1) by rotating the handles 180° until they point in. If needed tap on lock pins to drive them down and through bottom slots (#5).
11. Check hitch hook-up to verify it is locked properly.
 - a. Make sure top of loader hitch plate (#2) is fully seated under the bucket's top angle bar (#4).
 - b. Make sure bottom of loader hitch plate (#3) is seated against bucket's hitch plate (#6)
 - c. Make sure lock pins (#1) are fully inserted through bottom slots (#5) and are fully down.

Unhook Toro mount Hitch

1. Park on a flat, level, solid surface.
2. Lower bucket until it is slightly above the surface and angled so that the front of the bucket is slightly higher than the back.
3. Without changing the height of the loader arms and attachment, shut compact loader down. Unhook bucket as follows:
 - a. Rotate the hitch latch pins (#1) to the unlocked position by turning them so that the handles are pointing outward. Make sure the hitch latch pins are pulled up all the way to ensure a proper disconnect.

- b. Return to compact loader and tilt top of hitch plate (#3) slightly forward toward the bucket.
- c. Slowly lower bucket until its top angle bar (#4) and loader hitch (#3) have separated.
- d. Back compact loader slowly away from the bucket while making sure the Toro mount hitch does not interfere with the bucket.

Hydraulic Connections & Mounting

Engage the lock pins to secure The Skeleton to the loader.

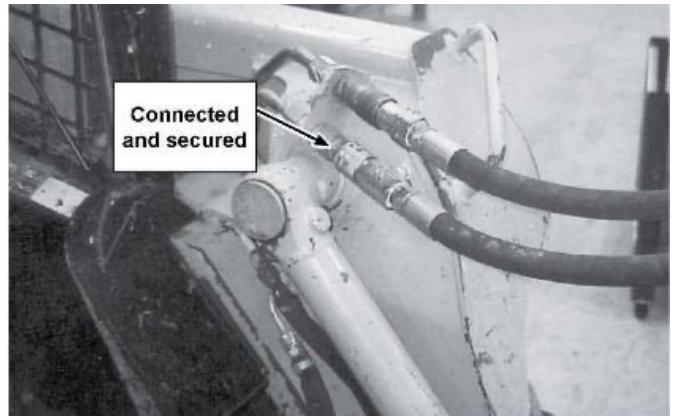
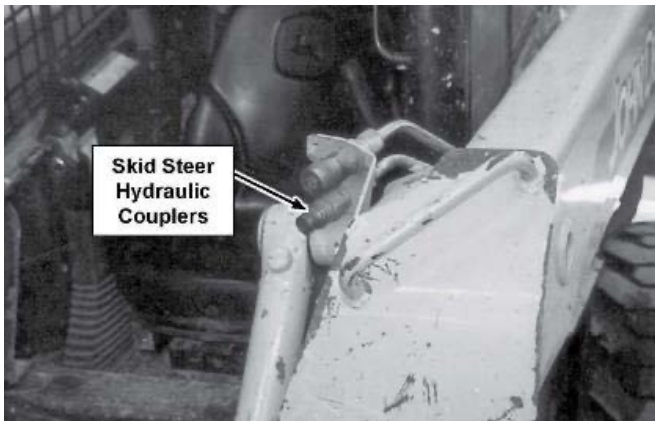
Connect the hydraulics:

Use a clean rag or paper towel to clean the dirt from the couplers on the hose ends of the Mini Skid Steer.

Connect the hoses to the Mini Skid Steer couplers. Be sure the couplers are securely seated.

Route and secure the hoses along the frame with clips, tape or plastic ties to prevent binding and pinching. Be sure to provide slack for tilting.

Raise The Skeleton.



Check that all hydraulic connections and locks are secure before beginning work.

Reverse the above procedure when unhooking.

Place planks or boards under the frame for extra support if required.

Grapple Attachment Tips

1. Never operate this attachment when bystanders are in proximity of the work area that could result in Minor or Serious Injury by contact with the machine, attachment or flying debris.
2. Always inspect the work area before starting the job. Locate and mark any utilities, steel posts, rocks or any other objects that could be damaged or would damage the blade during operation. Never assume the work area is safe and never skip the inspection part before start of operation.
3. Operate at a safe slow-paced speed that will allow you to watch the area ahead and behind the attachment & loader. Since about half of your duty cycle may be in reverse, look behind you and/or utilize your mirrors when backing up. Verify that

your backup alarm is working properly to warn others when you are in reverse, but never think that the alarm replaces your responsibility to visually check what's behind you.

4. Attachment control is the most important element to getting a good, steady cut. Overloading the attachment will only result in spinning the tracks or tires and will make unwanted ruts. Overloading the attachment will also necessitate raising the implement to off load some of the resistance occurring by the material. When you raise the attachment, you will create an unlevelled surface that will increase as the front of the prime mover drives over the rise of the ground surface.
5. If you lift too heavy a load with your attachment, you may raise the rear of your Mini Skid Steer, and further reduce your tractive power available to move the load.
6. Before beginning your forward motion with the attachment, stop the Mini Skid Steer and make any final adjustments to the attachment in terms of height & tilt.
7. Center your load on the attachment. Estimate the load center and pick it accordingly. If the load feels unbalanced when you lift it, reposition your grab and retry the lift. An unbalanced load could upset your Mini Skid Steer.
8. After loading your attachment and clamping the arms over the load, roll the attachment back and retighten the clamp arm pressure.

WARNING!

When rolling back the attachment, the load will settle and require some additional clamping pressure to secure the load. When lifting a load of brush or trees, make sure all ends are not tangled with standing trees that could cause the center of gravity to be compromised, resulting in a rollover that could cause Death or Serious Injury.

9. The grapple clamp should not be used for pushing or pulling down trees or any type of structure. Its purpose is to clamp the load so it can be moved to a different spot on the job site.
10. To save some service work and down time, always pay attention that tree branches or roots do not poke through past the attachment arms and damage any hydraulic parts or even enter the cab area.
11. Be careful that a branch or root doesn't "whip" back at the Mini Skid Steer. Wear safety glasses to prevent dirt getting in your eyes.

WARNING!

Use extreme caution when working around low hanging electrical lines. Do not raise the attachment in an area where there are low electrical lines to prevent an accident that could result in Death or Serious Injury.

12. Keep your distance from any type of utility, whether underground or in the air.
13. Always clean the quick-disconnect couplers before connecting them to the Mini Skid Steer. Utilize plastic or metal caps to protect the ends when not being used. Tuck the quick disconnect hoses somewhere in the attachment where they will be out of the dirt and will not be driven over.

WARNING!

To avoid electric shock or electrocution, disconnect electricity when demolishing structures.

14. With the operator in the seat of the loader, the seat belt fastened, and the seat bar lowered (if so equipped), start the engine.
15. Raise the attachment slightly off of the ground.
16. Activate the loader's auxiliary hydraulics to open and close the grapple in order to pick up and move debris/objects.
 - a. If the grappled object appears or becomes unstable or unbalanced, lower the attachment to the ground and repeat the grappling process until the object being lifted remains stable the entire time it is being lifted and moved.
 - b. To avoid injury or death, do not allow any person to be directly under grapple or load at any time.
 - c. Carry load as low as possible to avoid serious injury or death from tip over or falling load.
17. To back rake, fully open the grapple, tilt the loader coupler forward until the grapple teeth contact the ground, lower the boom to apply down pressure, and slowly drive backward to rake material.

MAINTENANCE

Before Every Use

Check that all fasteners (nuts, bolts, pins, keepers) are in their right place and are tight. Inspect and replace any worn, torn or missing safety decals. Investigate the location of any oil leaks and repair.

Lubricate all joints with lithium grease.

Every Week

Check the condition of the cutting edge and/or tooth points. Order parts if the cutting edge or points are becoming worn and replace as soon as possible.

After Every Season

Inspect the implement for any loose or worn parts that may need to be replaced prior to the next season.

Visually inspect the cutting edge. Replace, if necessary.

Clean, sand & repaint any area that looks worn or scratched to prevent further rusting. Use an equipment-paint found at your local hardware store or building center.

Replace any warning decals that have been lost or damaged.

Store your implement in a shed or cover with a water-proof tarp to protect it from the weather. Store in an area not frequented by children.

Cutting Edge Removal & Replacement

WARNING!

To avoid an accident that could result in Death or Serious Injury, never find yourself in a position where any body part is located under an unsupported blade or frame when servicing this attachment.

WARNING!

Hazardous dust can be generated if painted surfaces are heated or welded and could result in death or Serious Injury. Remove paint before welding and always make repairs in a well-ventilated area and wear an approved respirator.

CAUTION!

Cutting edges can be very heavy and could cause Minor or Serious Injury if mishandled. Always wear protective gloves and footwear.

1. Weld-on cutting edge replacement is not a task for most machinery operators and should be referred to a welding shop that possesses the proper equipment, knowledge, and experience.
2. Replacement cutting edges are available from your dealer.

Hydraulic System

WARNING!

A small stream of oil from a pinhole leak could penetrate your skin if contacted. To avoid an accident that could result in Death or Serious Injury, never use your hand or other body parts in an attempt to locate a hydraulic leak.

NOTICE!

Always release the hydraulic system pressure from the hydraulic circuits prior to removing the attachment or any hydraulic system service work.

Bolt Torque

CHECKING BOLT TORQUE

The tables shown below give correct torque values for various bolts and cap screws. Tighten all bolts to the torques specified in chart unless otherwise noted. Check tightness of bolts periodically, using bolt torque chart as a guide. Replace hardware with the same strength bolt.

Torque figures indicated above are valid for non-greased or non-oiled threads and heads unless otherwise specified. Therefore, do not grease or oil bolts or cap screws unless otherwise specified in this manual. When using locking elements, increase torque values by 5%.

* Torque value for bolts and cap screws are identified by their head markings

ENGLISH TORQUE SPECIFICATIONS

Bolt Diameter "A"	Bolt Torque*					
	SAE 2 (N.m) (lb-ft)		SAE 5 (N.m) (lb-ft)		SAE 8 (N.m) (lb-ft)	
1/4"	8	6	12	9	17	12
5/16"	13	10	25	19	36	27
3/8"	27	20	45	33	63	45
7/16"	41	30	72	53	100	75
1/2"	61	45	110	80	155	115
9/16"	95	60	155	115	220	165
5/8"	128	95	215	160	305	220
3/4"	225	165	390	290	540	400
7/8"	230	170	570	420	880	650
1"	345	225	850	630	1320	970

METRIC TORQUE SPECIFICATIONS

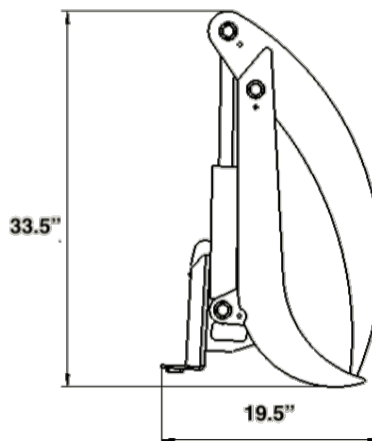
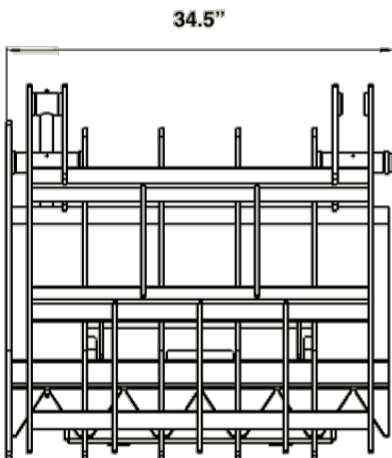
Bolt Diameter "A"	Bolt Torque*			
	8.8 (N.m) (lb-ft)		10.9 (N.m) (lb-ft)	
M3	.5	.4	1.8	1.3
M4	3	2.2	4.5	3.3
M5	6	4	9	7
M6	10	7	15	11
M8	25	18	35	26
M10	50	37	70	52
M12	90	66	125	92
M14	140	103	200	148
M16	225	166	310	229
M20	435	321	610	450
M24	750	553	1050	774
M30	1495	1103	2100	1550
M36	2600	1917	3675	2710



SPECIFICATION

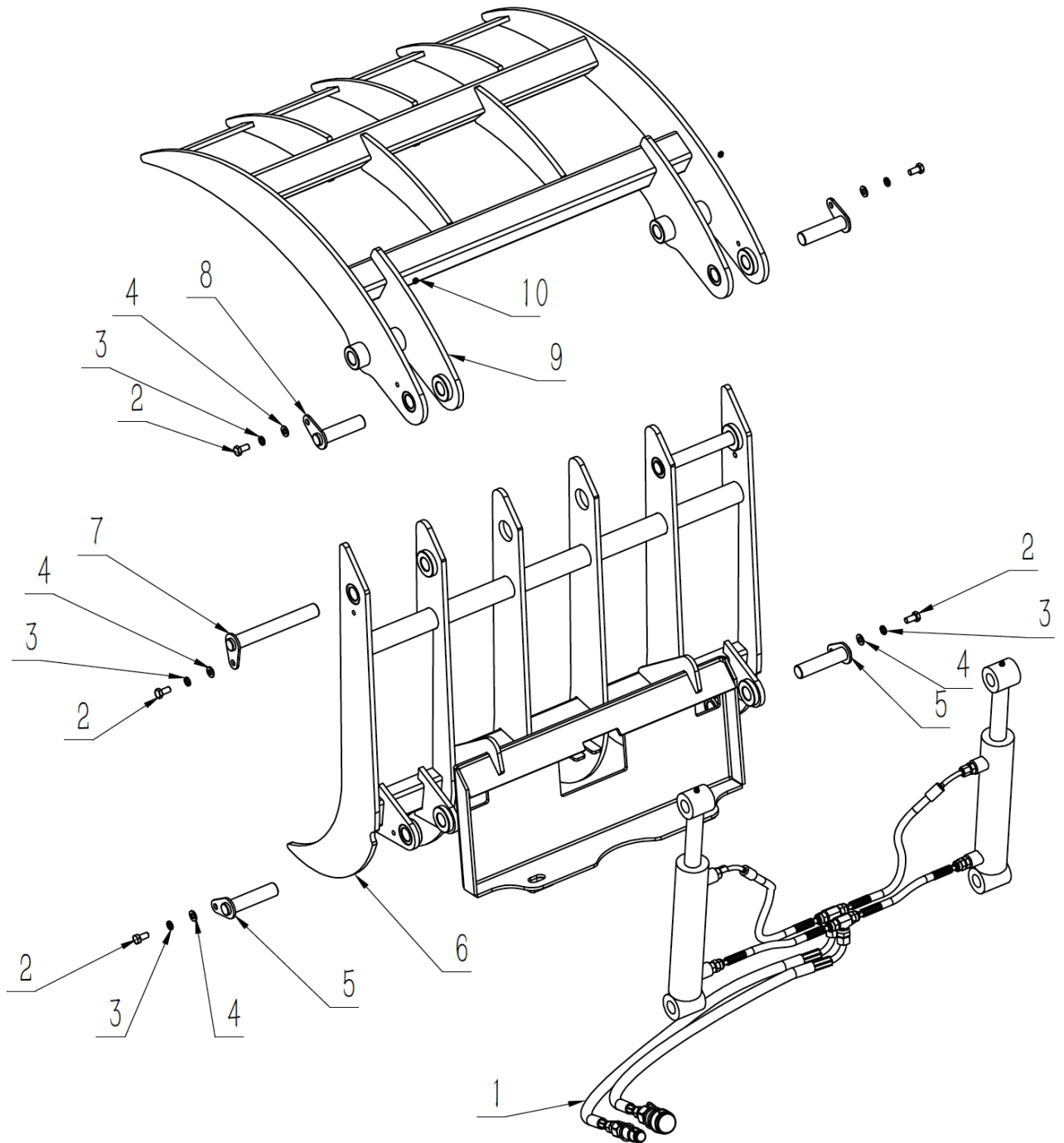
Specifications & Capacities

- With Toro Style Mount Plate. fits Toro, Dingo, Vermeer and other Toro style machine
- Hydraulic motor with oil-in, oil-out
- Grapple Capacity:2200lbs
- Working width :35"
- Open height: 34.5"
- Weight: 300lbs
- Max hydraulic pressure: 2900 psi



PARTS LIST

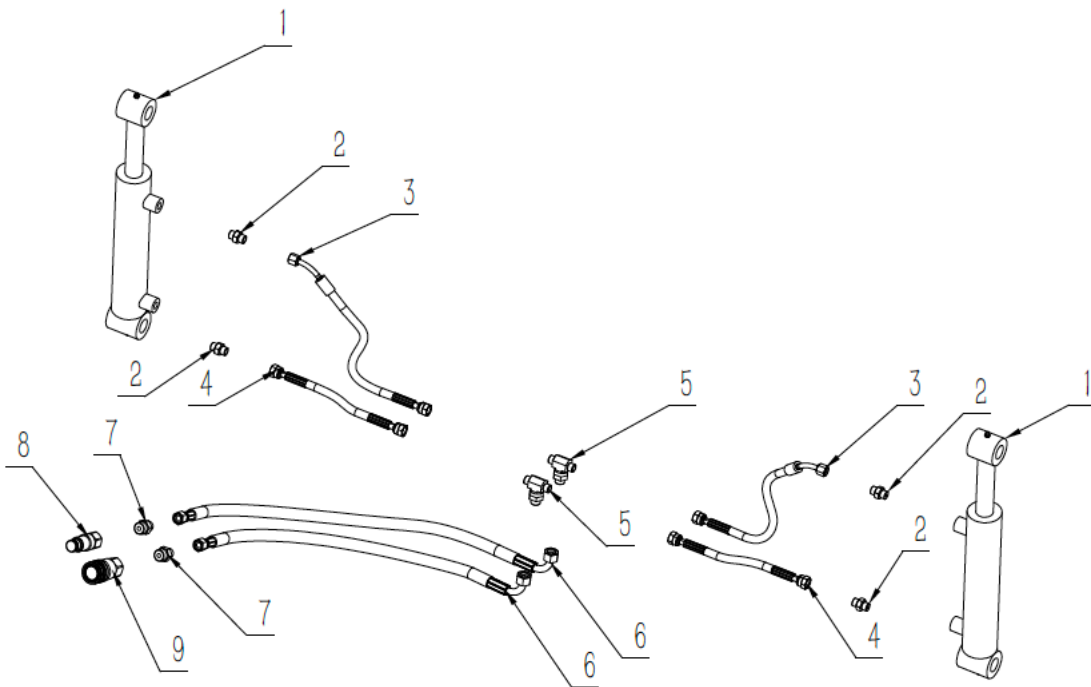
Mini Skid Steer Rake Grapple Assembly



SRG35 spare parts list

Part No.	Ref.	Part Description	QTY
1	TRG35.5TMG	Hydraulic Components	1
2	GB/T 5783	Bolt M8*16	6
3	GB/T 93	Washer 10	6
4	GB/T 97.1	Washer 10	6
5	TRG35.6	Pin 3	2
6	TRG35.1TMG	Grapple Rake Bottom	1
7	TRG35.4	Pin 2	2
8	TRG35.3	Pin 1	2
9	TRG35.2	Grapple Rake Top	1
10	JB/T 7940.1	Greaser M6	2

Hydraulic Components



Part No.	Ref.	Part Description	QTY
A1	TRG35.5.1	Cylinder	2
A2	GE08LM14x1.5ED	Connector	4
A3	TRG35.5.2	Hydraulic hose 01, M14*1.5 Length:450mm	2
A4	TRG35.5.3	Hydraulic hose 02, M14*1.5 Length:280mm	2
A5	TRG35.5.5	Three Way Connector	2
A6	TRG35.5.4	Hydraulic hose 03, M16*1.5 Length:2200mm	2
A7	GE10L1/2NPT	End Straight Joint Npt1/2-M16*1.5	2
A8	KIS-PT-N04PF	Flat Faced Couplers Npt1/2 Male	1
A9	KIS-PT-N04SF	Flat Faced Couplers Npt1/2 Female	1