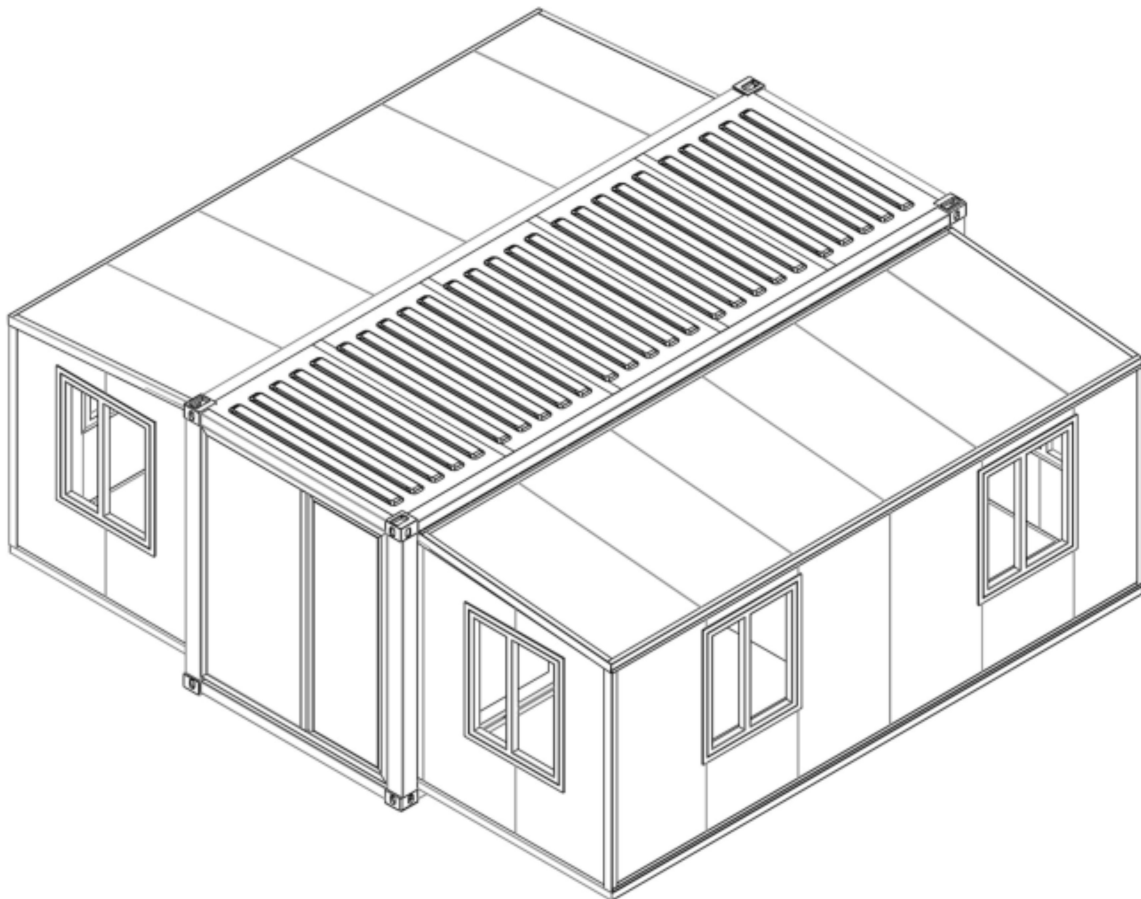


# 20' EXPANDABLE PREFAB CONTAINER HOUSE 2 BRM



- Please read and understand the product manual completely before assembly
- Check against the parts list to make sure all parts are received
- Wear proper safety goggles or other protective gears while in assembly
- Do not return the product to dealer. They are not equipped to handle your requests.

Missing parts or have questions on assembly?  
Please call: 1-877-761-2819 or email: [cs@tmgindustrial.com](mailto:cs@tmgindustrial.com)

## INSTALLATION STEPS

### PRIOR TO ASSEMBLY

Please read the instructions carefully before installation. It is very important to follow your local safety regulations and industry standards during installation. Regulations may include but are not limited to:

- Safety helmets, protective eyewear, and clothing
- Safety harnesses for all elevated workers
- Proper ladder, cage, and safety operation

Check all components and parts before installation. All parts are marked with a part number, please refer to the parts list to make sure you have all parts.

Choose a day with low or no wind to install, assembly is hard in heavy wind. Do not make any alterations to the structure. Do not hang any weights on the frame during installation, including parts. We are not responsible for any damages or injuries caused by inappropriate installation, unauthorized modifications or extreme weather.

This building is not intended for human occupancy.

It is recommended to tape or add foam/rubber on the frame where joints connect and where it touches the cover. This will help extend the life span of the cover.

Read the following item list carefully and count the number of items to ensure that all parts are included prior to setup.

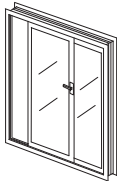
### STEP 1: REVIEW THE WHOLE STRUCTURE AND CHOOSE THE PROPER INSTALLATION SITE.

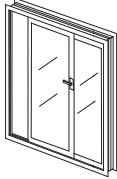





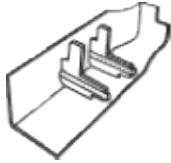


Choose a solid flat level ground area to set up the building. Do not install the building on soft ground, wetland, uneven surfaces, sloped surfaces, or on top of structures that are not rated to hold its weight.





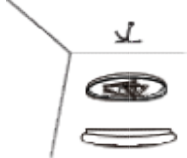
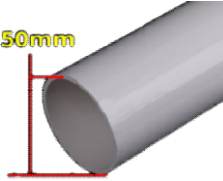


We strongly recommend that you put the containers on hard foundations before installing the shelter.

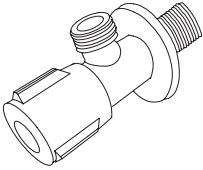


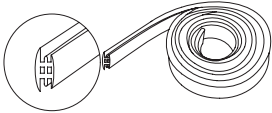

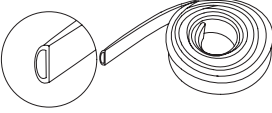
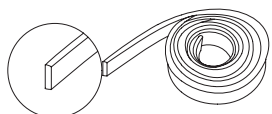
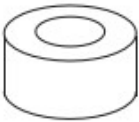


Be aware of the surrounding area. Do not set up the building near snowdrifts, open flames or exposed electrical wires. Do not keep heat sources near the fabric cover. Keep the building surroundings clear at all times.





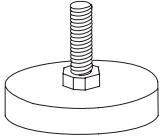




Check the parts list below to make sure all parts are received prior to assembly.

MATERIALS PART LIST				
PARTS CODE	GRAPHICAL	DESCRIPTION	LENGTH	QTY
1-1		window	930x1110mm	7

1-2		window	930x800mm	1
2-1		concave line	50x50x2240mm	8
2-2		Color Steel Plate u-shaped groove	110x170x2240mm	1
2-3		PVC Corner Covering	100x2300mm	3
2-4		Bamboo fiber angle line	80x2000mm	30
2-5		Bamboo fiber angle line internal angle buckle	/	18
2-6		Bamboo fiber angle line external angle buckle	/	2
2-7		PVC Corner end Buckle	/	20
2-8		Bamboo fiber angle wire connecting buckle	/	20

2-9		Bamboo fiber angle wire fixing buckle	/	28
2-10		Metal buckle plate	200*3000*0.8mm	4
2-11		L type cupboard (①: Includes 1 double basin vegetable washing basin, 1 set of faucets, 2 800mm long inlet pipes. Equipped with 1 set of drainage pipes. ②: Quartz stone panel, ray+door panel, 3 drawers)	(2200+1400) *550*900mm	1 set
3-1		Industrial plug	/	1
3-2		Light Lampshade + lamp tube	15WLED	4 set
4-1		50PVC tube	Φ50mm	2m
4-2		PVC glue		1
4-3		Raw Belt		1

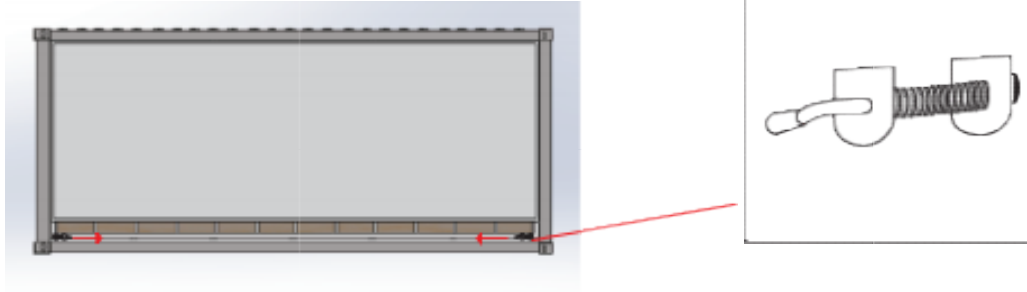
4-4		Valve		2
5-1		Movable partition wall		1
6-1		weatherproofing sealant unfolding roof and roof	/	3
6-2		White T-shaped rubber strip	L = 22m	1
6-3		Circular Slit	40x2700mm	4
6-4		White D-shaped rubber strip	L=22meters	
6-5		Flat tape Slants thin	L=22meters	
6-6		Waterproof Tape (Used for: such as roof leak repair)	L=80#x40meters	
6-7		Hexagonal self tapping screw (Used for: gable and side wall connection)	Φ4.2L=25mm	50
6-8		Hexagonal self tapping screw (Used for: door and window installation)	Φ4.2L=50mm	50

6-9		Hexagonal self tapping screw (Used for: connecting the top, side walls, and gable walls)	Φ4.2 L=125mm	100
6-10		Cross Self-tapping screw (Used for: Foot guard board)	Φ4.2 L=35mm	100
6-11		Big Cap Self-tapping Nail (Used for: fixing flat aluminum strips, connecting gable and side walls)	Φ4.2 L=27mm	100
6-12		Rivet	Φ4.8 L=17mm	100
6-13		Stabilizer Blade	M16, L=175mm	6
6-14		Drill	Φ4.2	1
6-15		Phillips Screwdriver Head	/	
6-16		Glue Gun	/	1
6-17		Hexagon Socket	M8	1

## 20' EXPANDABLE PREFAB CONTAINER HOUSE 2 BRM

### STEP 2 : INSTALLATION PROCEDURE

1. Pull out the roof bolt.

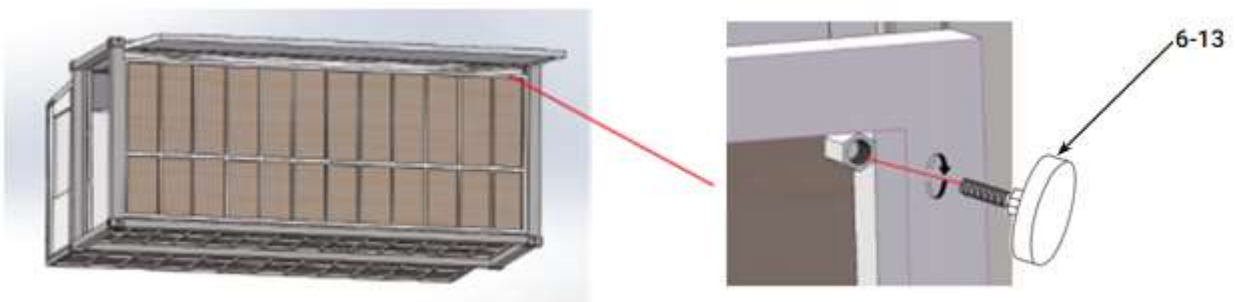


2. Open up the roof.

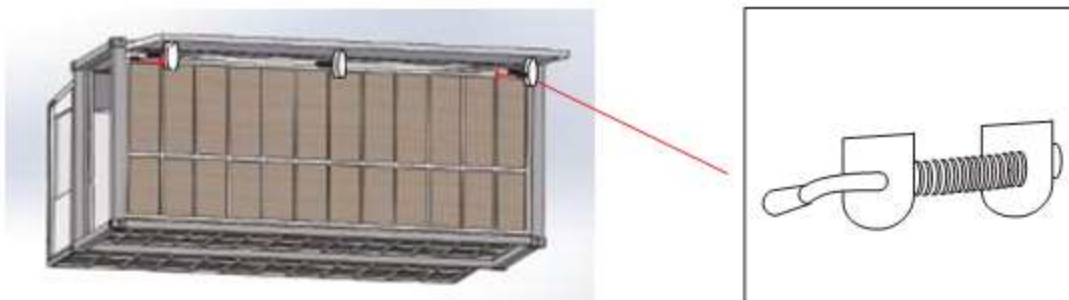
After lifting the roof, there must be a upholder to temporarily fix the roof.



3. Assemble the leg support.



4. Pull out the floor bolt.



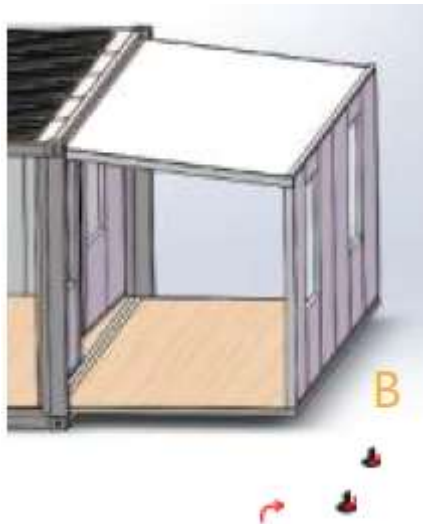
**5. Put down the floor.**

The floor is heavy; there must be at least 5 men to put down it!

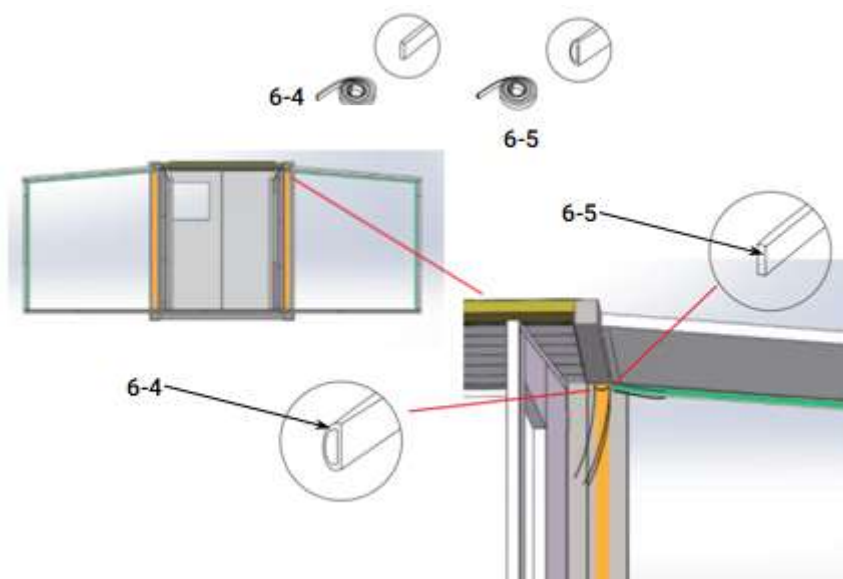


**6. Lift up Wall-B.**

Adjust the legs to level the floor; it will affect the opening of Wall-A and C

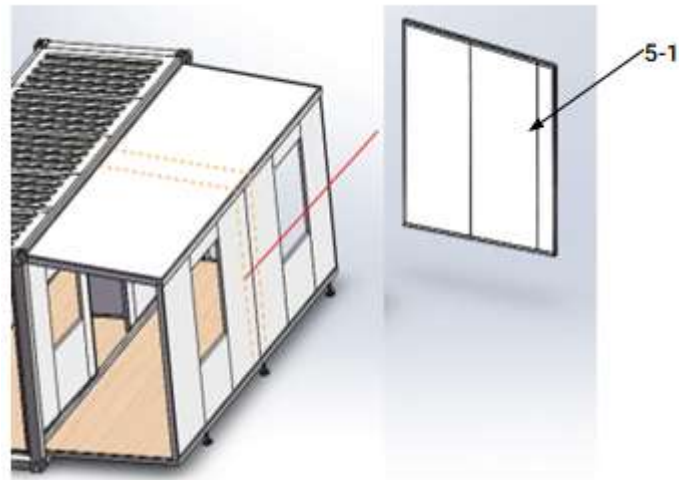


**7. Stick the flat tape and D tape.**





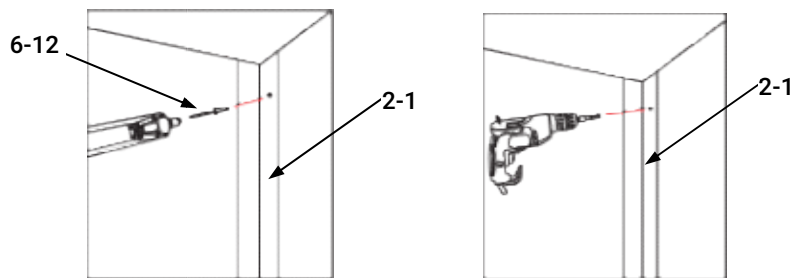
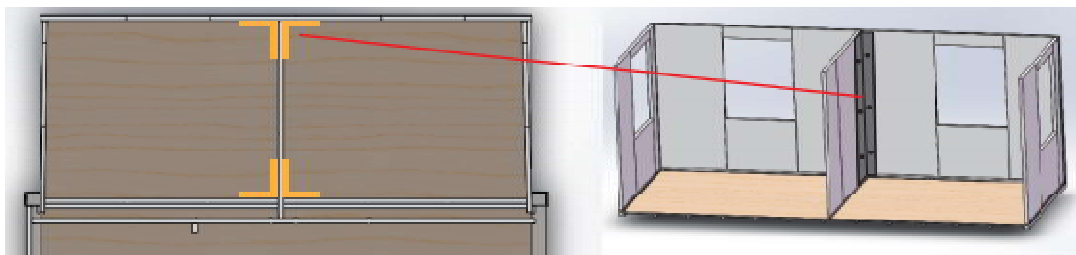
**8. PUT IN THE PARTITION WALL.**



**9. Fixed the partition wall.**

Use 4 L-shape corner covering to fix the partition wall;

Use at least 3 rivets on each side of the L-shape corner covering to fix the corner covering!

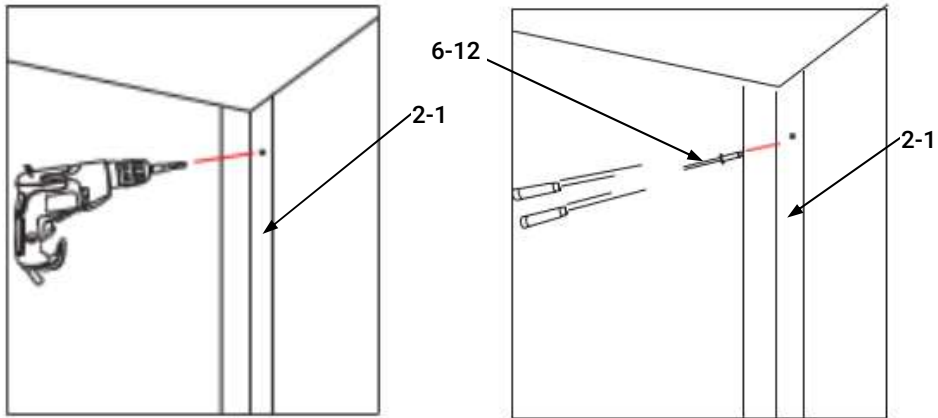
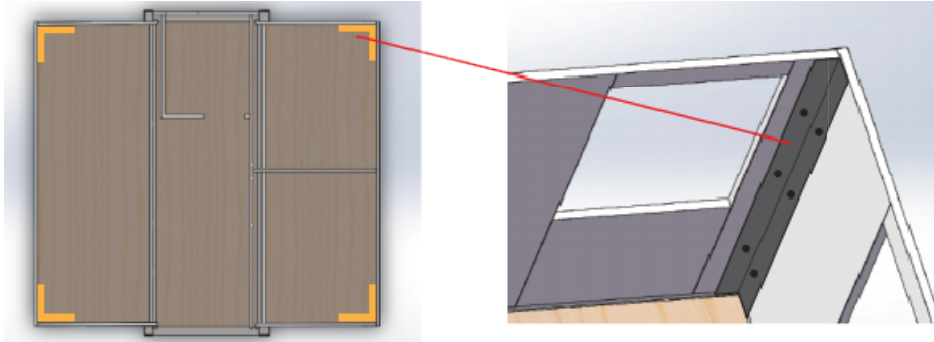


**10. Open the Wall-A, Wall-C.**

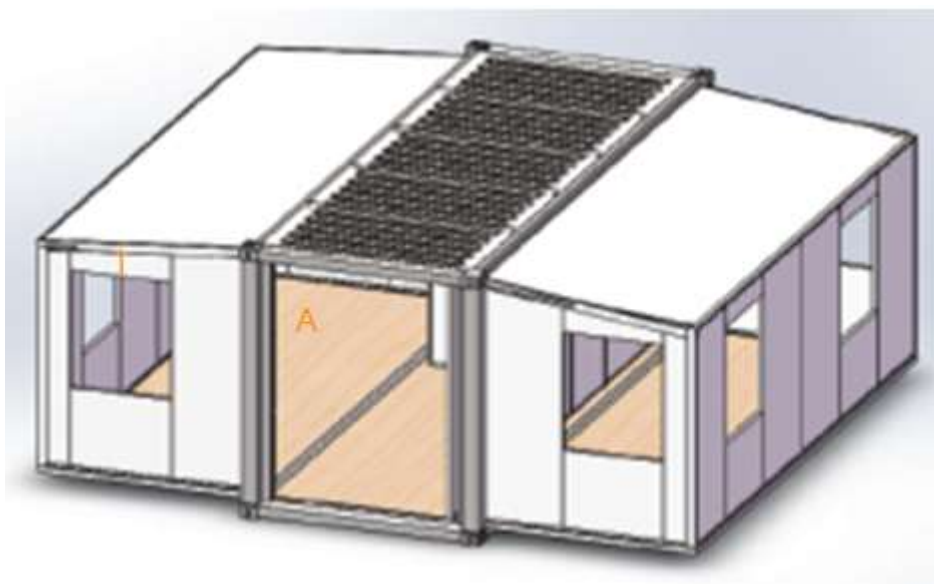


11. Use L-shape corner covering to fix Wall-A & Wall-C / Wall-1 & Wall-3.

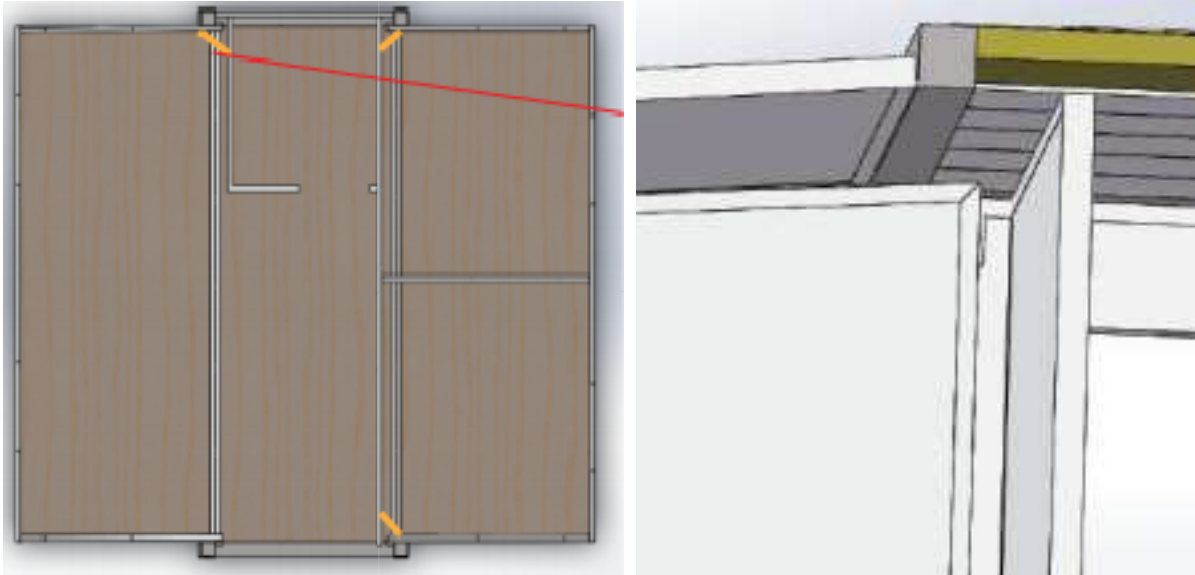
Use at least 3 rivets on each side of the L-shape corner covering to fix the corner covering!



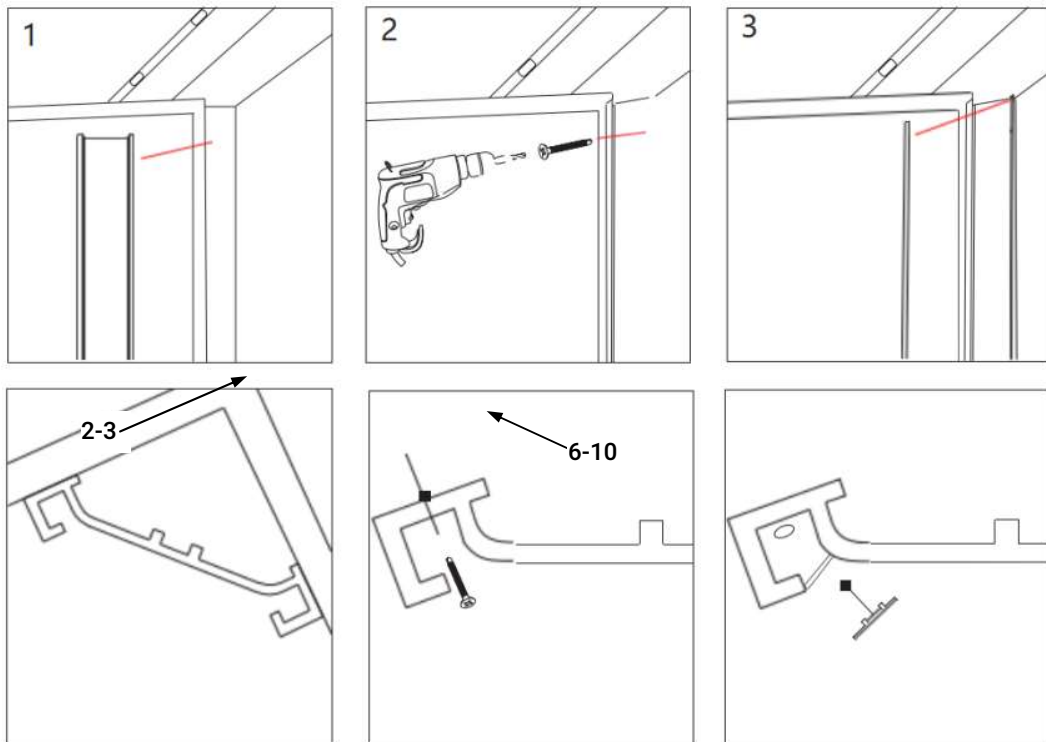
12. Open and assemble the other side by the same way.



13. Assemble the PVC corner covering.



Measure the height and cut the corner covering into proper size!

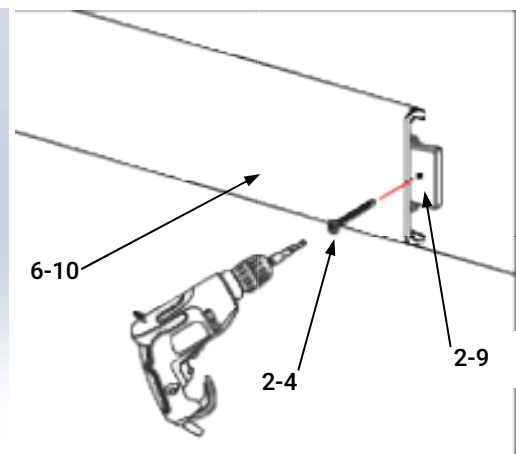
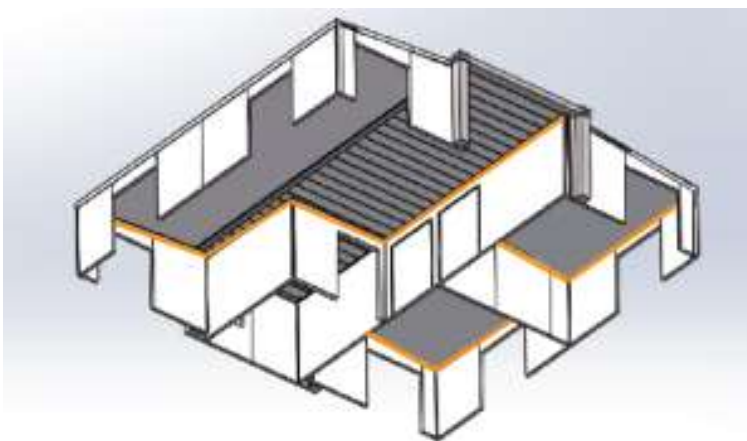


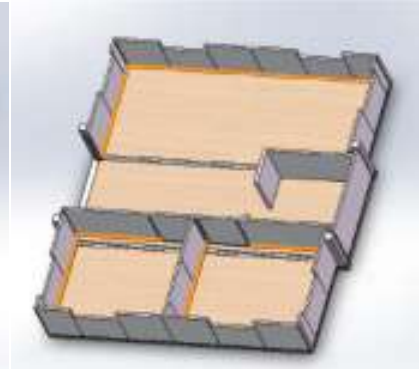
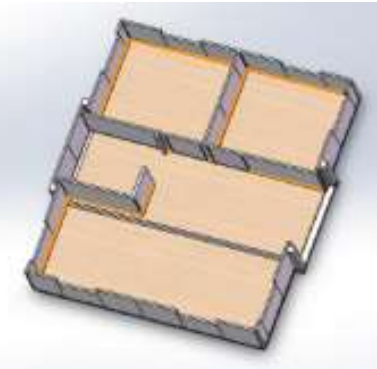
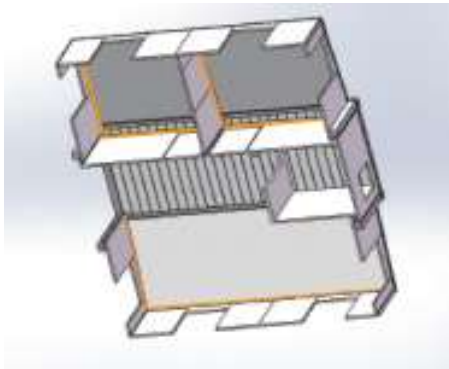
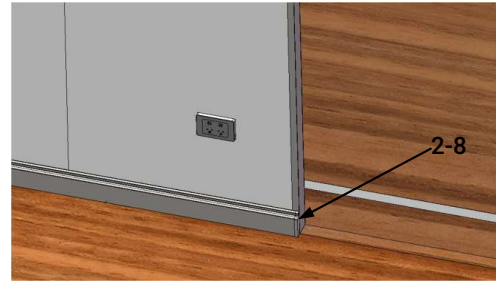
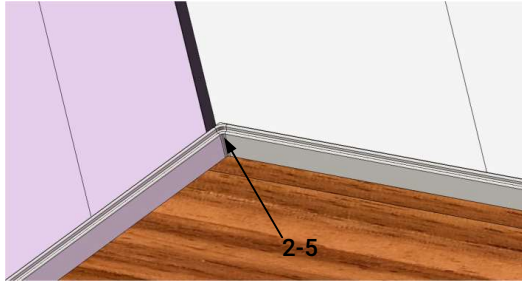
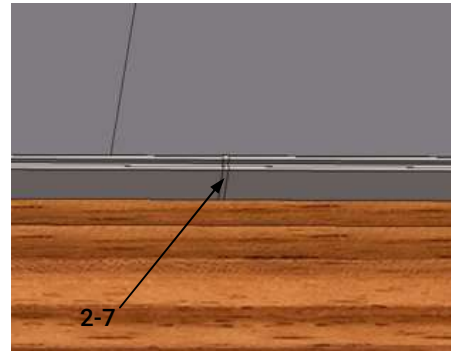
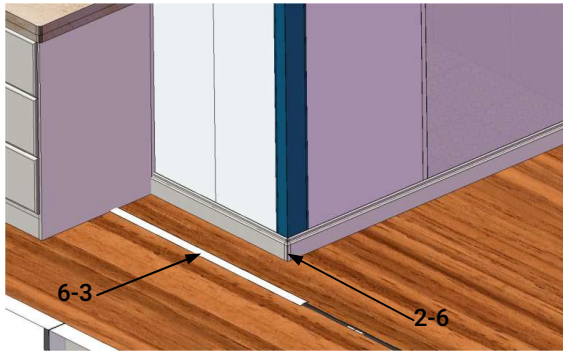
14. Color Steel Plate u-shaped groove



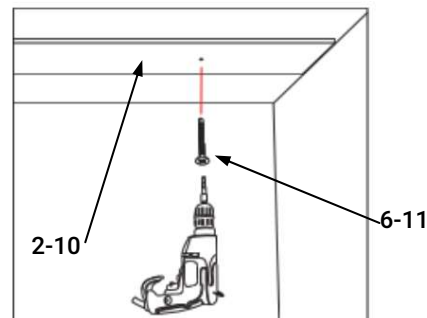
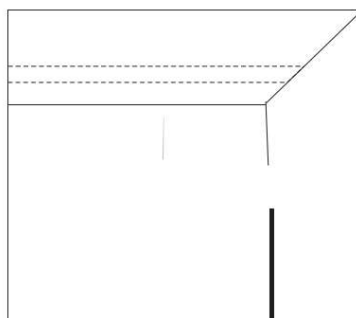
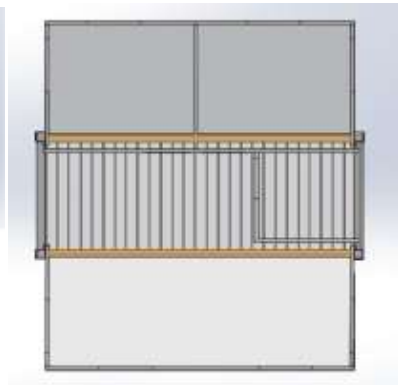
15. Assemble the skirting line.

NOTICE: For the corner fixed buckle, the narrow side adjoins the wall!



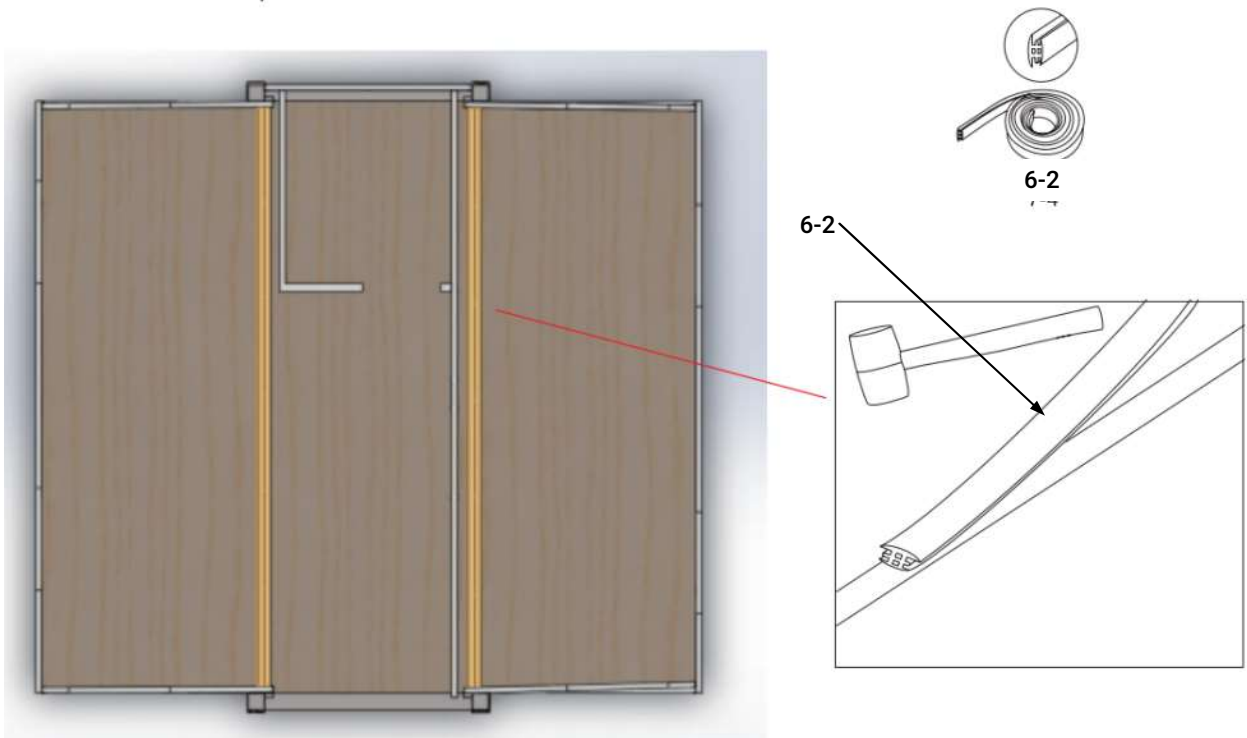


**16. Assemble the pinch plate.**

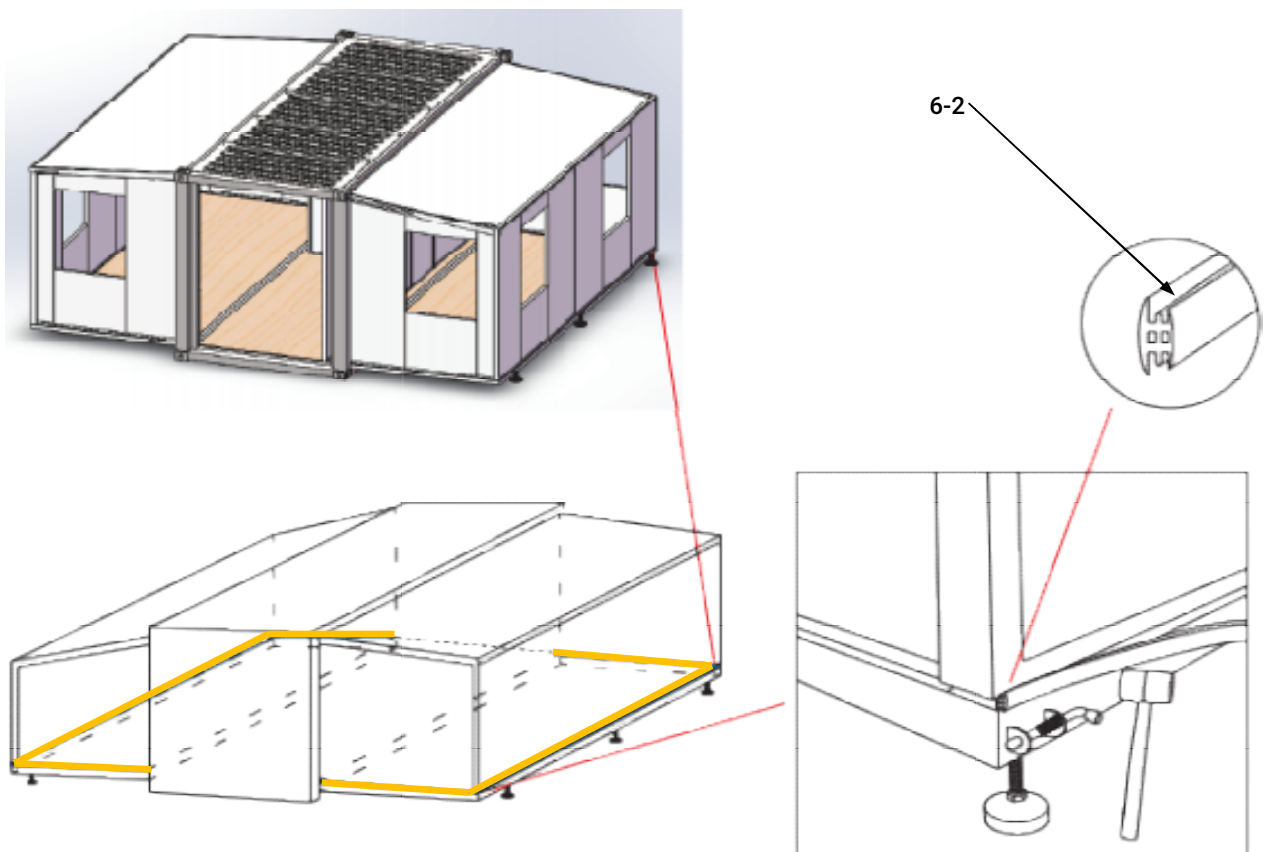




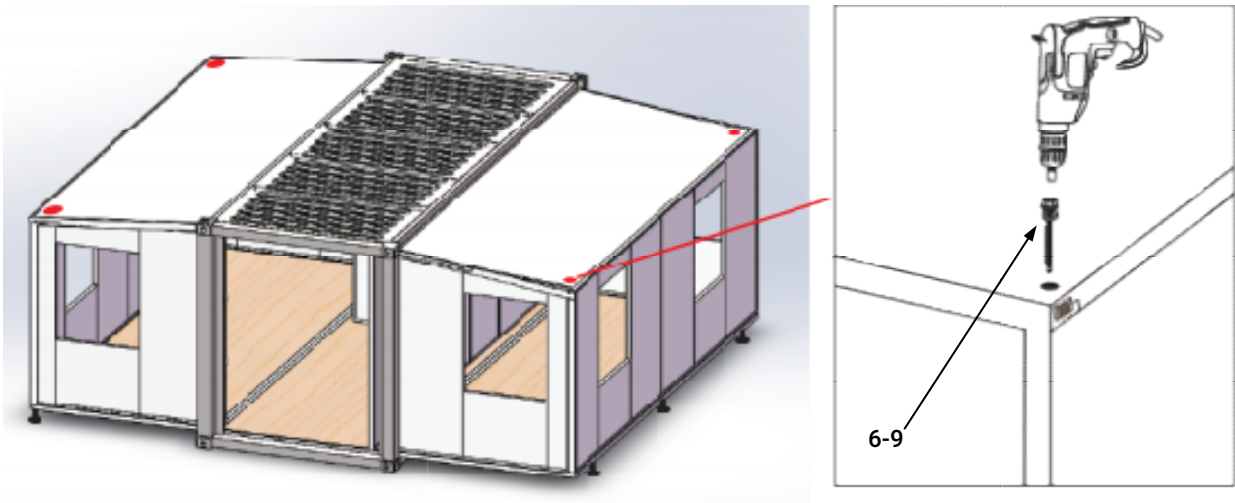
17. Assemble the T tape inside the container house.



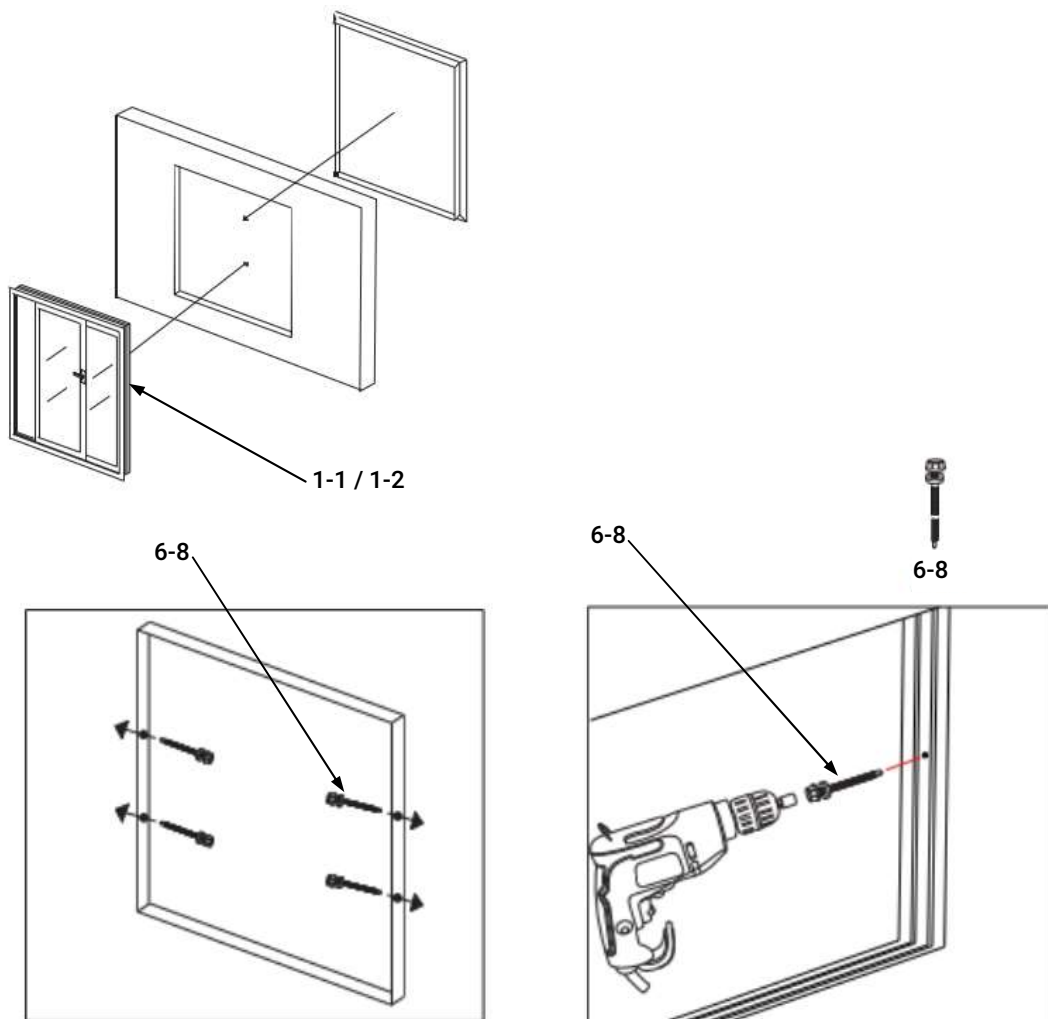
18. Assemble the T tape outside the container house.



**19. Fixed container house roof corner.**

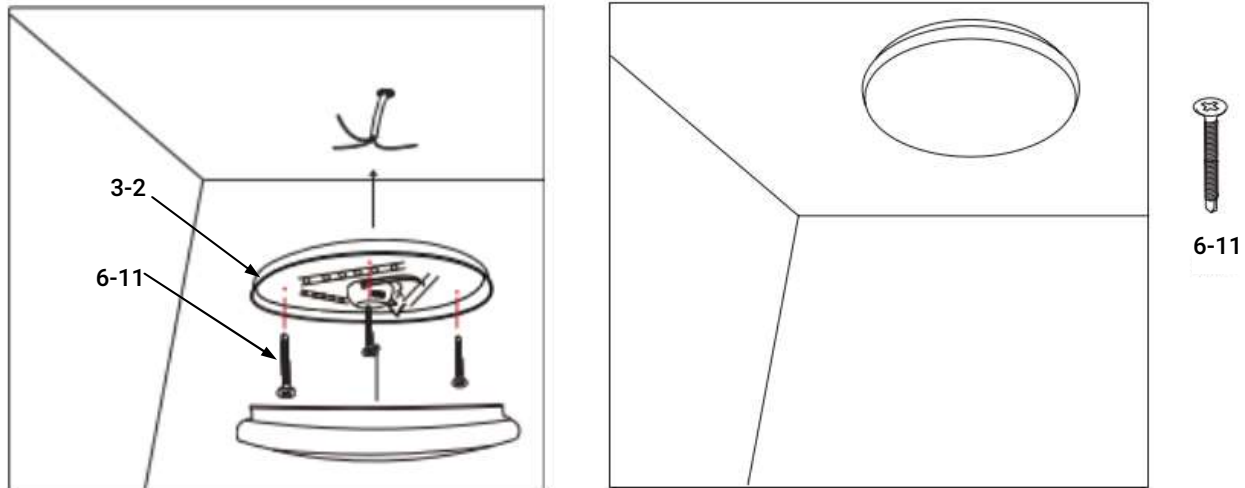


**20. Assemble the window.**



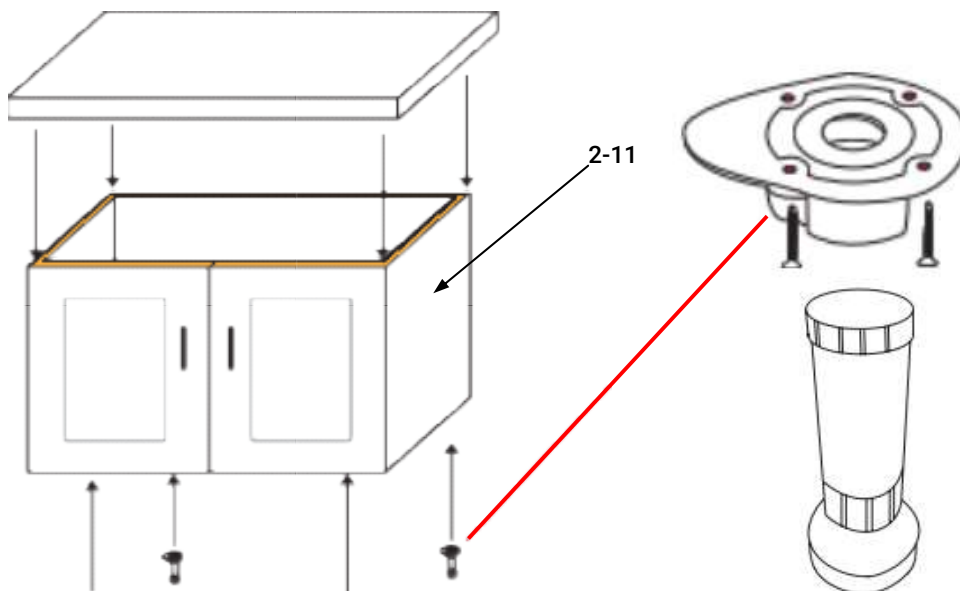
## 21. Assemble the light.

1. Use 3 Ear Tapping Screws to fix the lamp holder with the roof.
2. Connect the roof wire with the lamp wire. Hold with insulating tape.
3. Fitted with lamp covering.



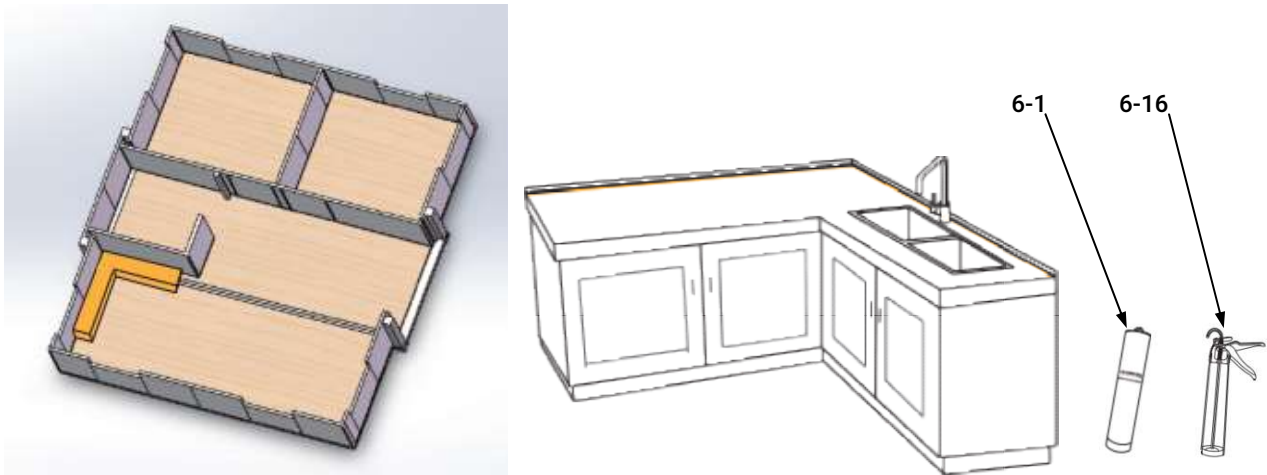
## 22. Assemble the cupboard.

Fix the 4 bases to the bottom of the cabinet by nails, and then put the four legs into the bottom seat. Make the cabinet level by adjusting the legs.





Apply the sealant on the yellow area to fix the marble countertop and breakwater. Sealant should wait for 24 hours to dry and fixed



## AFTER THE INSTALLATION

Walk around and inspect the building periodically to make sure all components are still firmly secured and the whole building is well supported. Check all bolts and nuts as well as all connection points to make sure they are all in good position, required and clean the cover regularly.

The accumulated snow on the top cover must be removed as soon as possible, if snow becomes solid ice on the cover; it will increase the weight on the roof and collapses the building or reduce the life span eventually.

Keep the building on a dry ground most of the time. Do not keep the fabric dirt skirt under water all the time, otherwise the fabric will deteriorate.

We strongly recommend you remove any snow from the roof immediately. Do not leave any snow load on the roof overnight. Keep 3 feet of clearance on all sides at all times. Do not allow snow to accumulate and pile up on the sides of the building. Otherwise the push from the sides toward inside will make the building collapsed at some point.