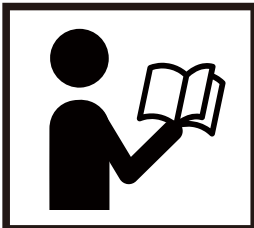


42" MINI STEER SKID BUCKET (TORO)



⚠ WARNING



- Please read and understand the product manual completely before assembly
- Check against the parts list to make sure all parts are received
- Wear proper safety goggles or other protective gears while in assembly
- Do not return the product to dealer. They are not equipped to handle your requests.

Missing parts or have questions on assembly?

Please call: 1-877-761-2819 or email: cs@tmgindustrial.com

CONTENTS

IMPORTANT SAFETY INFORMATION	3
YOUR SAFETY	3
GENERAL SAFETY	3
EQUIPMENT SAFETY GUIDELINES	4
SAFETY TRAINING	5
SAFETY SIGNS	5
SAFETY DECALS	6
PREPARATION	6
TRANSPORT SAFETY	8
TO THE NEW OPERATOR OR OWNER	8
OPERATION	9
HOOK-UP TORO MOUNT HITCH	9
UNHOOK TORO MOUNT HITCH	10
BOLT TORQUE	10
SPECIFICATION	11
SPECIFICATIONS & CAPACITIES	11
PARTS LIST	12
42" MINI STEER SKID BUCKET (TORO)ASSEMBLY	12

IMPORTANT SAFETY INFORMATION

Your Safety

YOU are responsible for the SAFE operation and maintenance of your TMG Toro Mounted Mini steer skid bucket. YOU must ensure that you and anyone else who is going to use, maintain or work around the Toro Mounted Mini steer skid bucket be familiar with the using and maintenance procedures and related SAFETY information contained in this manual. This manual will take you step-by-step through your working day and alerts you to all good safety practices that should be used while using the Toro Mounted Mini steer skid bucket.

Remember, YOU are the key to safety. Good safety practices not only protect you but also the people around you. Make these practices a working part of your safety program. Be certain that EVERYONE using this equipment is familiar with the recommended using and maintenance procedures and follows all the safety precautions. Most accidents can be prevented. Do not risk injury or death by ignoring good safety practices.

1. Toro Mounted Mini steer skid bucket owners must give operating instructions to operators or employees before allowing them to operate the machine, and at least annually thereafter.
2. The most important safety device on this equipment is a SAFE operator. It is the operator's responsibility to read and understand ALL Safety and Operating instructions in the manual and to follow these. Most accidents can be avoided.
3. A person who has not read and understood all using and safety instructions is not qualified to use the machine. An untrained operator exposes himself and bystanders to possible serious injury or death.
4. Do not modify the equipment in any way. Unauthorized modification may impair the function and/or safety and could affect the life of the equipment.
5. Think SAFETY! Work SAFELY!

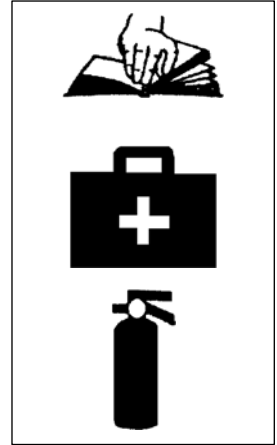
General Safety

1. Read and understand the Operator's Manual and all safety signs before using, maintaining, adjusting, or cleaning the Toro Mounted Mini steer skid bucket.
2. Have a first-aid kit available for use should the need arise and know how to use it.
3. Have a fire extinguisher available for use should the need arise and know how to use it.
4. Do not allow riders.
5. Wear appropriate protective gear. This list includes but is not limited to:

- A hard hat



- Protective shoes with slip resistant soles
- Heavy gloves
- Wet weather gear
- Hearing Protection



6. Install and secure all guards before starting.
7. Wear suitable ear protection for prolonged exposure to excessive noise.
8. Turn machine off, stop and disable engine, remove ignition key and place in your pocket, set park brake and wait for all moving parts to stop before servicing, adjusting, repairing, or unplugging.
9. Clear the area of people, especially small children, before using the unit.
10. Review safety related items annually with all personnel who will operating or maintaining the Toro Mounted Mini steer skid bucket.

Equipment Safety Guidelines

1. Safety of the operator and bystanders is one of the main concerns in designing and developing equipment. However, every year many accidents occur which could have been avoided by a few seconds of thought and a more careful approach to handling equipment. You, the operator, can avoid many accidents by observing the following precautions in this section. To avoid personal injury or death, study the following precautions and insist those working with you, or for you to follow them.
2. In order to provide a better view, certain photographs or illustrations in this manual may show an assembly with a safety shield removed. However, equipment should never be used in this condition. Keep all shields in place. If shield removal becomes necessary for repairs, replace the shield prior to use.
3. Replace any safety sign or instruction sign that is not readable or is missing. Location of such safety signs is indicated in this manual.
4. Never use alcoholic beverages or drugs which can hinder alertness or coordination while using this equipment. Consult your doctor about using this machine while taking prescription medications.
5. Under no circumstances should young children be allowed to work with this equipment. Do not allow persons to use or assemble this unit until they have read this manual and have developed a thorough understanding of the safety precautions and of how it works. Review the safety instructions with all users annually.
6. This equipment is dangerous to children and persons unfamiliar with its operation. The operator should be a responsible, properly trained and physically able person familiar with machinery and trained in this equipment's operations. If the elderly are assisting with work, their physical limitations need to be recognized and accommodated.
7. Never exceed the limits of a piece of machinery.

If its ability to do a job, or to do so safely, is in question - DON'T TRY IT.

8. Do not modify the equipment in any way. Unauthorized modification may result in serious injury or death and may impair the function and life of the equipment.

9. In addition to the design and configuration of this implement, including Safety Signs and Safety Equipment, hazard control and accident prevention are dependent upon the awareness, concern, prudence, and proper training of personnel involved in the operation, transport, maintenance, and storage of the machine. Refer also to Safety Messages and operation instruction in each of the appropriate sections of the skid steer and machine manuals. Pay close attention to the Safety Signs affixed to the skid steer and the machine.

Safety Training

1. Safety is a primary concern in the design and manufacture of our products. Unfortunately, our efforts to provide safe equipment can be wiped out by a single careless act of an operator or bystander.

2. In addition to the design and configuration of equipment, hazard control and accident prevention are dependent upon the awareness, concern, prudence, and proper training of personnel involved in the operation, transport, maintenance, and storage of this equipment.



3. It has been said, "The best safety feature is an informed, careful operator." We ask you to

be that kind of an operator. It is the operator's responsibility to read and understand ALL Safety and Using instructions in the manual and to follow these. Accidents can be avoided.

4. the machine. If this machine is used by any person other than yourself, or is loaned or rented, it is the machine owner's responsibility to make certain that the operator, prior to using:

- a. Reads and understands the operator's manuals.
- b. Is instructed in safe and proper use.

5. Know your controls and how to stop the skid steer tractor and machine quickly in an emergency. Read this manual and the one provided with skid steer tractor.

6. Train all new personnel and review instructions frequently with existing workers. Be certain only a properly trained and physically able person will use the machinery. A person who has not read and understood all using and safety instructions is not qualified to use the machine. An untrained operator exposes himself and bystanders to possible serious injury or death.

If the elderly is assisting with the work, their physical limitations need to be recognized and accommodated.

Safety Signs

1. Always keep safety signs clean and legible.

2. Replace safety signs that are missing or have become illegible.
3. Replaced parts that displayed a safety sign should also display the current sign.
4. Safety signs have a part number in the lower righthand corner. Use this part number when ordering replacement parts.
5. Safety signs are available from your authorized Distributor or Dealer Parts Department or the factory.

Safety Decals



Preparation

1. Never use the machine until you have read and completely understand this manual, the skid steer tractor Operator's Manual and each of the Safety Messages found on the safety signs on the skid steer tractor and machine.
2. Personal protection equipment including hard hat, safety glasses, safety shoes, and gloves are recommended during assembly, installation, operation, adjustment, maintaining, repairing, removal, cleaning, or moving the unit. Do not allow long hair, loose fitting clothing or jewelry to be around equipment.
3. **PROLONGED EXPOSURE TO LOUD NOISE MAY CAUSE PERMANENT HEARING LOSS!**

Power equipment with or without equipment attached can often be noisy enough to cause permanent, partial hearing loss. We recommend that you wear hearing protection on a full-time basis if the noise in the Operator's position exceeds 80db. Noise over 85db on a long-term basis can cause severe hearing loss. Noise over 90db adjacent to the Operator over a long-term basis may cause permanent, total hearing loss. NOTE: Hearing loss from loud noise (from tractors, chain saws, radios, and other such sources close to the ear) is cumulative over a lifetime without hope of natural recovery.
4. Clear working area of stones, branches or hidden obstacles that might be hooked or snagged, causing injury or damage.
5. Use only in daylight or good artificial light.
6. Be sure machine is properly mounted, adjusted and in good operating condition.
7. Ensure that all safety shielding, and safety signs are properly installed and in good condition.

Maintenance Safety

1. Good maintenance is your responsibility. Poor maintenance is an invitation to trouble.
2. Follow good shop practices.
 - Keep service area clean and dry.
 - Be sure electrical outlets and tools are properly grounded.
 - Use adequate light for the job at hand.
3. Make sure there is plenty of ventilation. Never operate the engine of the towing vehicle in a closed building. The exhaust fumes may cause asphyxiation.
4. Before working on this machine, shut off the engine, set the brake, and turn fuel valve off.
5. Never work under equipment unless it is blocked securely.
6. Always use personal protection devices such as eye, hand and hearing protectors, when performing any service or maintenance work. Use heavy or leather gloves when handling blades.
7. Where replacement parts are necessary for periodic maintenance and servicing, genuine factory replacement parts must be used to restore your equipment to original specifications. The manufacturer will not be responsible for injuries or damages caused by use of unapproved parts and/or accessories.
8. A fire extinguisher and first aid kit should be kept readily accessible while performing maintenance on this equipment.
9. Periodically tighten all bolts, nuts and screws and check that all electrical and fuel connections are properly secured to ensure unit is in a safe condition.
10. When completing a maintenance or service function, make sure all safety shields and devices are installed before placing unit in service.



Operating Safety

1. Please remember it is important that you read and heed the safety signs on the Toro Mounted Mini steer skid bucket. Clean or replace all safety signs if they cannot be clearly read and understood. They are there for your safety, as well as the safety of others. The safe use of this machine is strictly up to you, the operator.
2. All things with moving parts are potentially hazardous. There is no substitute for a cautious, safe-minded operator who recognizes potential hazards and follows reasonable safety practices. The manufacturer has designed this Toro Mounted Mini steer skid bucket to be used with all its safety equipment properly attached, to minimize the chance of accidents. Study this manual to make sure you have all safety equipment attached.
3. Close and secure rotor cover before operating.
4. Close and secure all guards, deflectors and shields before starting and operating.

5. Read and understand operator's manual before starting. Review safety instructions annually.
6. Personal protection equipment including hearing protection, hard hat, safety glasses, safety shoes, and gloves are recommended during assembly, installation, operation, adjustment, maintaining, repairing, removal, or moving. Do not allow long hair, loose-fitting clothing, or jewelry to be around moving parts.
7. Keep hydraulic lines and fittings tight, in good condition and free of leaks.
8. Never place any part of your body where it would be in danger if movement should occur during assembly, installation, operation, maintenance, repairing, unplugging, or moving.
9. Turn machine off, stop engine, remove ignition key and place in your pocket, set park brake and wait for all moving parts to stop before servicing, adjusting, repairing or unplugging.
10. Do not run machine inside a closed building to prevent asphyxiation from engine exhaust.
11. Never use alcoholic beverages or drugs which can hinder alertness or coordination while operating this equipment. Consult your doctor about operating this machine while taking prescription medications.
12. Do not allow riders on this machine at any time. There is no safe place for any riders.
13. Never allow children or unauthorized people to operate or be around this machine.

Transport Safety

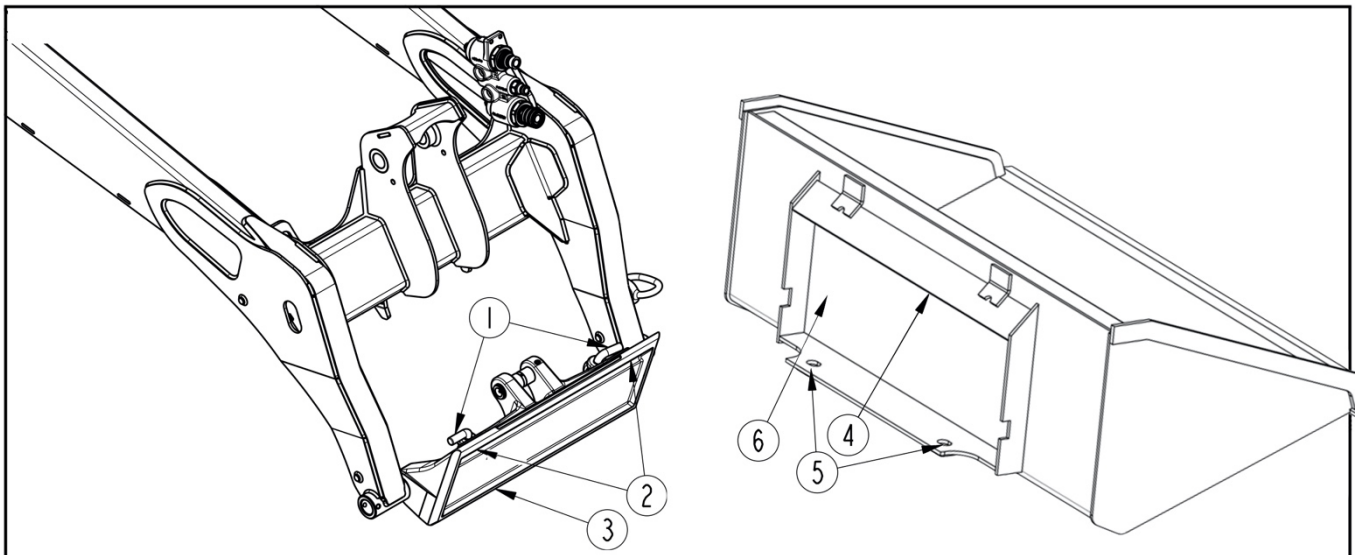
1. Comply with state and local laws governing safety and transporting of machinery on public roads.
2. Check that all the lights, reflectors and other lighting requirements are installed and in good working condition.
3. Do not exceed a safe travel speed. Slow down for rough terrain and cornering.
4. Do not drink and drive.
5. Be a safe and courteous driver. Always yield to oncoming traffic in all situations, including narrow bridges, intersections, etc. Watch for traffic when operating near or crossing roadways.

To the New Operator or Owner

Follow all safety instructions exactly. Safety is everyone's business. By following recommended procedures, a safe working environment is provided for the operator, bystanders, and the area around the worksite. Untrained operators are not qualified to operate the machine.

Many features incorporated into this machine are the result of suggestions made by customers like you. Read this manual carefully to learn how to use the chipper safely and how to set it to provide maximum field efficiency. By following the using instructions in conjunction with a good maintenance program, your Toro Mounted Mini steer skid bucket will provide many years of trouble-free service.

OPERATION



Hook-up Toro mount Hitch

The Mini Steer Skid Bucket utilizes a Toro mount receiver plate for easy connection and disconnection.

1. Check loader and bucket hitch plates before hooking-up the bucket. Make sure all components are in good working condition before putting them into service:

Check for and remove any debris in the loader and bucket hitch plates.

Check for structural cracks in the hitch plates. Repair or replace hitch plates as needed.

Check hitch components frequently. Repair or replace any part that is excessively worn, bent, broken, or missing.

Lubricate lock pins (#1) at the prescribed interval in your compact loader manual.

Check operation of lock pins (#1). Lock pins must move freely and extend fully into the hitch plate bottom slots (#5).

2. Raise lock pins (#1) by rotating the handles 180° until they point out as shown.

3. Use anti-slip steps/surfaces and grab handles on the compact loader when stepping on and off the unit.

4. Start compact loader.

5. Drive slowly to the bucket while making sure the loader's hitch plate top (#2) is parallel with the bucket's top angle bar (#4).

6. Tilt top of loader hitch plate (#2) slightly forward.

7. Place top of loader's hitch plate (#2) under the bucket's top angled bar (#4) and slowly raise loader hitch plate (#3) up until the loader hitch plate is seated under the top angle bar.

8. Tilt top of loader hitch plate (#2) back until the bucket hitch plate (#6) makes full contact with the face of loader hitch plate (#3) and the bucket's hitch plate (#6) is slightly off the ground.

9. Shut compact loader down before dismounting.

10. Lower lock pins (#1) by rotating the handles 180° until they point in. If needed tap on lock pins to drive them down and through bottom slots (#5).

11. Check hitch hook-up to verify it is locked properly.

- a. Make sure top of loader hitch plate (#2) is fully seated under the bucket's top angle bar (#4).
- b. Make sure bottom of loader hitch plate (#3) is seated against bucket's hitch plate (#6)
- c. Make sure lock pins (#1) are fully inserted through bottom slots (#5) and are fully down.

Unhook Toro mount Hitch

- 1. Park on a flat, level, solid surface.
- 2. Lower bucket until it is slightly above the surface and angled so that the front of the bucket is slightly higher than the back.
- 3. Without changing the height of the loader arms and attachment, shut compact loader down. Unhook bucket as follows:
 - a. Rotate the hitch latch pins (#1) to the unlocked position by turning them so that the handles are pointing outward. Make sure the hitch latch pins are pulled up all the way to ensure a proper disconnect.
 - b. Return to compact loader and tilt top of hitch plate (#3) slightly forward toward the bucket.
 - c. Slowly lower bucket until its top angle bar (#4) and loader hitch (#3) have separated.
 - d. Back compact loader slowly away from the bucket while making sure the Toro mount hitch does not interfere with the bucket.

Bolt Torque

CHECKING BOLT TORQUE

The tables shown below give correct torque values for various bolts and cap screws. Tighten all bolts to the torques specified in chart unless otherwise noted. Check tightness of bolts periodically, using bolt torque chart as a guide. Replace hardware with the same strength bolt.

Torque figures indicated above are valid for non-greased or non-oiled threads and heads unless otherwise specified.

Therefore, do not grease or oil bolts or cap screws unless otherwise specified in this manual.

When using locking elements, increase torque values by 5%.

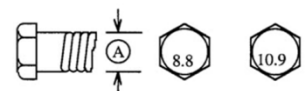
* Torque value for bolts and cap screws are identified by their head markings

ENGLISH TORQUE SPECIFICATIONS

Bolt Diameter "A"	Bolt Torque*					
	SAE 2		SAE 5		SAE 8	
	(N.m)	(lb-ft)	(N.m)	(lb-ft)	(N.m)	(lb-ft)
1/4"	8	6	12	9	17	12
5/16"	13	10	25	19	36	27
3/8"	27	20	45	33	63	45
7/16"	41	30	72	53	100	75
1/2"	61	45	110	80	155	115
9/16"	95	60	155	115	220	165
5/8"	128	95	215	160	305	220
3/4"	225	165	390	290	540	400
7/8"	230	170	570	420	880	650
1"	345	225	850	630	1320	970

METRIC TORQUE SPECIFICATIONS

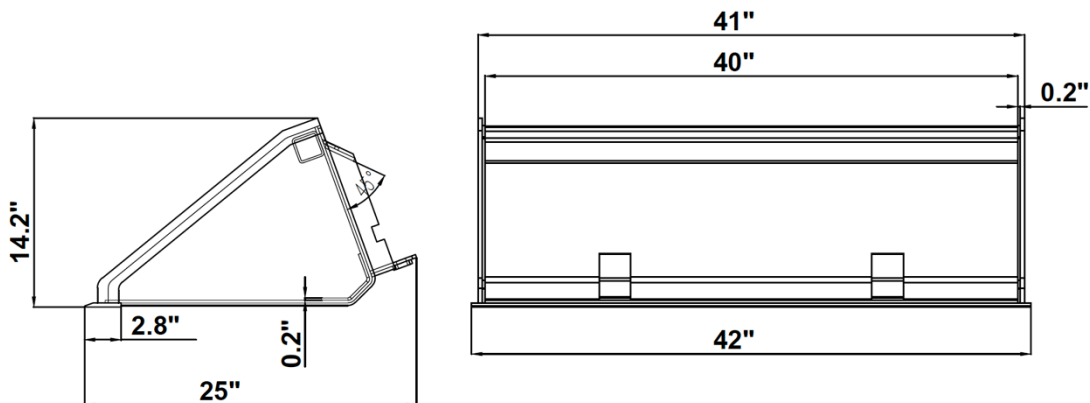
Bolt Diameter "A"	Bolt Torque*			
	8.8		10.9	
	(N.m)	(lb-ft)	(N.m)	(lb-ft)
M3	.5	.4	1.8	1.3
M4	3	2.2	4.5	3.3
M5	6	4	9	7
M6	10	7	15	11
M8	25	18	35	26
M10	50	37	70	52
M12	90	66	125	92
M14	140	103	200	148
M16	225	166	310	229
M20	435	321	610	450
M24	750	553	1050	774
M30	1495	1103	2100	1550
M36	2600	1917	3675	2710



SPECIFICATION

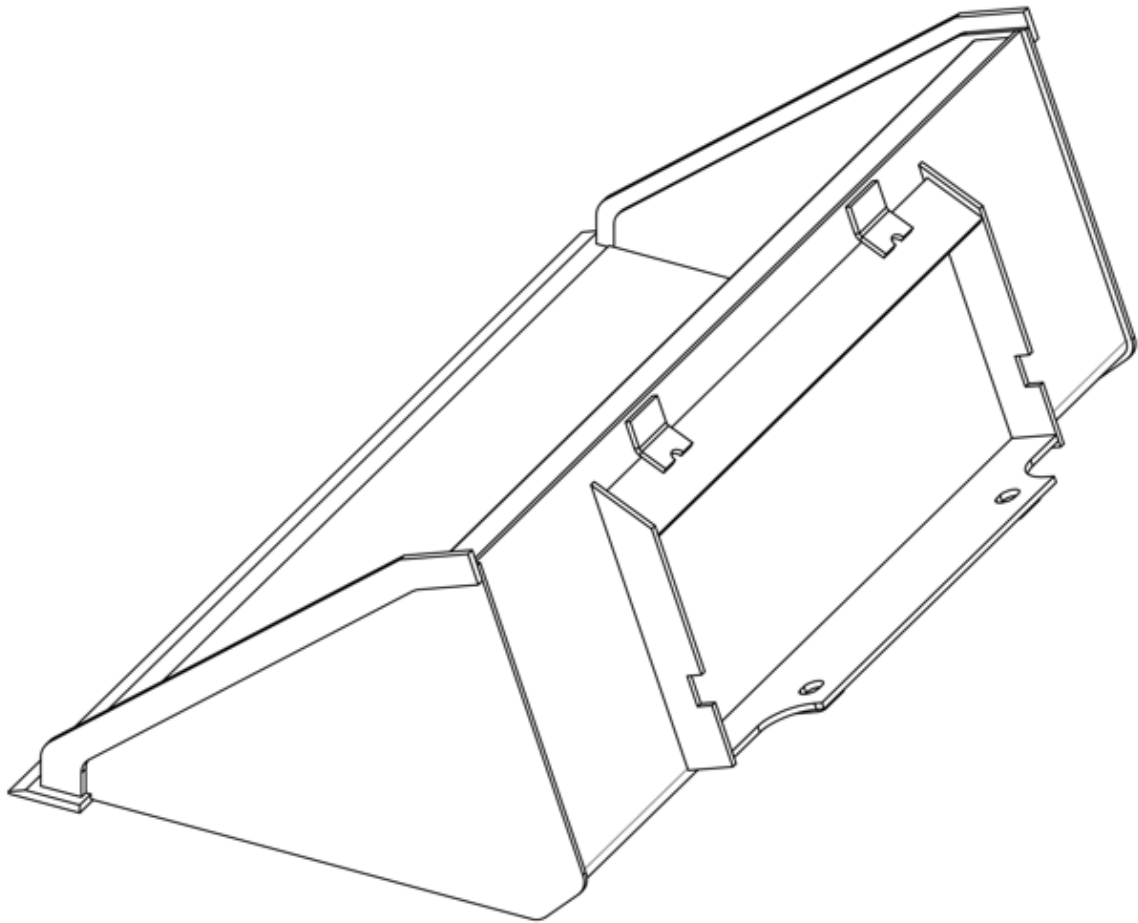
Specifications & Capacities

- Mini Skid Steer Quick Tach
- Reinforced side cutters and cutting edge for long life
- Overall bucket width of 42" allows you to tackle many jobs with your mini skid steer
- Compatible with Toro Dingo, Ditch Witch, Multi One, Ram Rod, Vermeer, Finn Eagle, Boxer, Thomas, and others with Toro style mounting
- It will not fit Bobcat, Kanga Kid, or Prodigy
- Powder Coated Finish
- Overall Height:14.2"
- Overall Width:42"
- Overall Depth:25"
- Inside Bucket Width: 40"
- Cutting Edge Width: 42"
- Product Weight: 128 lbs (58kg)



PARTS LIST

42" Mini Steer Skid Bucket (Toro) Assembly



Part No.	Ref.	Part Description	QTY
1	Toro-Bucket	2" Mini Steer Skid Bucket	1