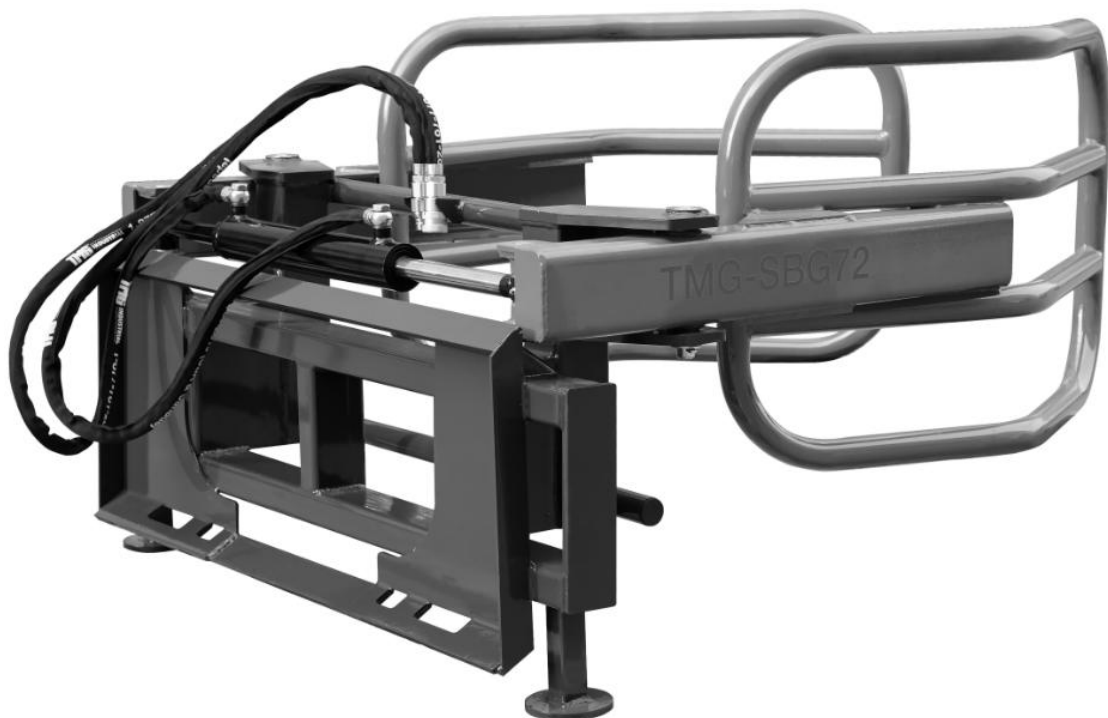


# Skid Steer Round Bale Gripper

**Model: TMG-SBG72**



- Please read the product manual completely before assembly
- Check against the parts list to make sure all parts are received
- Wear proper safety goggles or other protective gears while in assembly

Missing parts or questions on assembly?

Please call: 1-877-761-2819 or email: [cs@tmgindustrial.com](mailto:cs@tmgindustrial.com)

Do not return the product to dealer, they are not equipped to handle your requests

**1. Introduction . . . . . 2**

**2. Safety Precautions . . . . . 2**

**3. Technical Details and Operation . . . . . 3**

**3.1 Picture with Part Specifications . . . . . 3**

**3.2 Assembly and Operating . . . . . 3**

**4. Maintenance . . . . . 4**

**5. Warranty . . . . . 4**

**6. Part Breakdown . . . . . 5**

**7. Part Breakdown List. . . . . 5**

# 1. INTRODUCTION

With your purchase of the TMG Wrapped Bale Gripper you have made the right choice for the handling of your wrapped (or unwrapped) round bales. Through its unique construction it requires minimal maintenance.

Before using your bale gripper read this manual carefully to familiarize yourself with this machine. Operating unfamiliar machines may lead to accidents.

This operator's manual has been written to assist you in obtaining the best possible results from your TMG Wrapped Bale Gripper. Keep it in a safe place so you can always use it as a reference booklet. If any questions should remain, however, you can contact TMG, who will gladly assist you.

The bale gripper is designed to fit your front end loader or skid steer and easily adaptable to your quick-attach brackets (plate). You can grab all sizes of round bales up to 178cm in diameter from any position for transportation and stacking.

**CAUTION:** Never use the bale gripper to lift or transport people!!!

# 2. SAFETY PRECAUTIONS

- Follow all the rules of operation from the operator's manual of your tractor or skid steer.
- Use a tractor with a roll-over protective system (ROPS).
- When using the bale gripper on sloping or uneven terrain, always maintain proper stability. It is therefore advisable to use a wide wheel track setting on your tractor. Also avoid sudden maneuvers and change of direction.
- While moving, make sure you keep the load low and as close to the tractor or skid steer as possible, because a heavy load can easily tip your tractor or skid steer over.
- Have the rear of your tractor or skid steer properly counter balanced with weights to create optimal stability.
- Comply with federal and local laws governing highway safety and movement of farm machinery on public roads.
- Make sure you place the bales on a flat and solid surface so they do not start rolling or moving unexpectedly.
- When in use, never stand within operating range of the bale gripper and never under a raised load.
- Strictly operate the bale gripper from your tractor or skid steer driver's seat and make sure you have a good view on your job.
- Make sure the gripper's arms can move freely and do not jam any hydraulic hoses.
- Do not confuse your bale gripper's controls with other controls on your tractor or skid steer to avoid unintentional operation.
- When you are driving and not carrying a bale, make sure your gripper is completely open (cylinder closed) to avoid cylinder damage.
- Take care! The hydraulic circuit operates under pressure. Make sure that the hydraulic systems of both your bale gripper and tractor or skid steer are de-pressurized before connecting any hoses between the two.
- Clearly label or tag the hydraulic fittings of the tractor or skid steer and bale gripper to avoid incorrect connection, which may lead to invert functions such as raising and lowering.
- Make sure that your hydraulic hoses do not get jammed during operation and never operate the bale gripper with a hydraulic hose that has been pinched.
- Regularly check all hydraulic hoses and replace any worn or damaged ones immediately. When replacing hoses, use only replacements compliant to original technical specifications.
- Take all possible precautions to avoid accidents when searching for hydraulic leaks.
- Remember that liquids under pressure, and especially oil, can penetrate the skin and cause serious injury. Consult a

doctor immediately to prevent infection in case of injury.

- Before dismounting from your tractor or skid steer, always check if the bale gripper is lowered to the ground, the tractor or skid steer is in neutral and the parking brake applied. And always place your bale gripper on a flat and solid surface for storage.

### 3. TECHNICAL DETAILS AND OPERATION

#### 3.1 Picture with part specification



- 1. Main Frame 1
- 2. Hydraulic Cylinder Unit 1
- 3. Gripper Arm 2

TMG-SBG72 Skid Steer Round Bale Gripper Specifications	
MODEL	TMG-SBG72
HANDING WEIGHT	1000kg
WORKING CAPACITY	86-178cm Diameter Bale
CYLINDER STROKE	352mm
CYLINDER DIAMETER	φ60mm
STRUCTURE WEIGHT	190kg

#### 3.2 ASSEMBLY AND OPERATING INSTRUCTIONS

Because the Bale Gripper is a loading/stacking device, make sure that it is assembled by a qualified mechanic.

You pick up a round bale as follows:

- You drive up to the bale with your frame straight up and the grippers as far apart as possible;
- Make sure the center of the frame touches the bale and the grippers are on each side;
- When positioned correctly, you can operate the cylinder so the gripper will close and pick up the bale.

If you have to transport a bale before loading or stacking, make sure to keep it as low to the ground as possible to ensure the best stability. Especially on rough or uneven terrain or slopes make sure to maintain stability by using counter balance weights or a wide wheel setting on your tractor or skid steer.

Bales should be placed on a flat and solid surface to prevent them from moving/rolling and any bystanders should keep a safe distance from the machine.

If your bale gripper is equipped with a red tie-rods cylinder it is rated at 2500 PSI max.  
And if it is equipped with a black tie-rods or welded cylinder it is rated at 3000 PSI max.

## 4. MAINTENANCE

Little maintenance is required for the TMG Wrapped Bale Gripper, but the following must be strictly followed.

It is equipped with four grease nipples that should be greased regularly.

**Make sure to check and tighten all nuts and bolts prior to each use. You must lube all moving parts prior to each use as well. Any worn parts have to be replaced immediately.**

In case you have to replace a part, make sure that it is a genuine TMG part which can be obtained through TMG.

## 5. WARRANTY

TMG warrants to the original purchaser that this product will be free from defects in material and workmanship beginning on the date of purchase by the end user according to the following schedule when used as intended and under normal service and conditions for personal use.

### **Overall Unit : One-year Parts.**

This warranty is limited to the replacement of any defective part by manufacturer and the installation by the dealer of any such replacement part, and does not cover common wear items. TMG reserves the right to inspect any equipment or parts which are claimed to have been defective in material or workmanship.

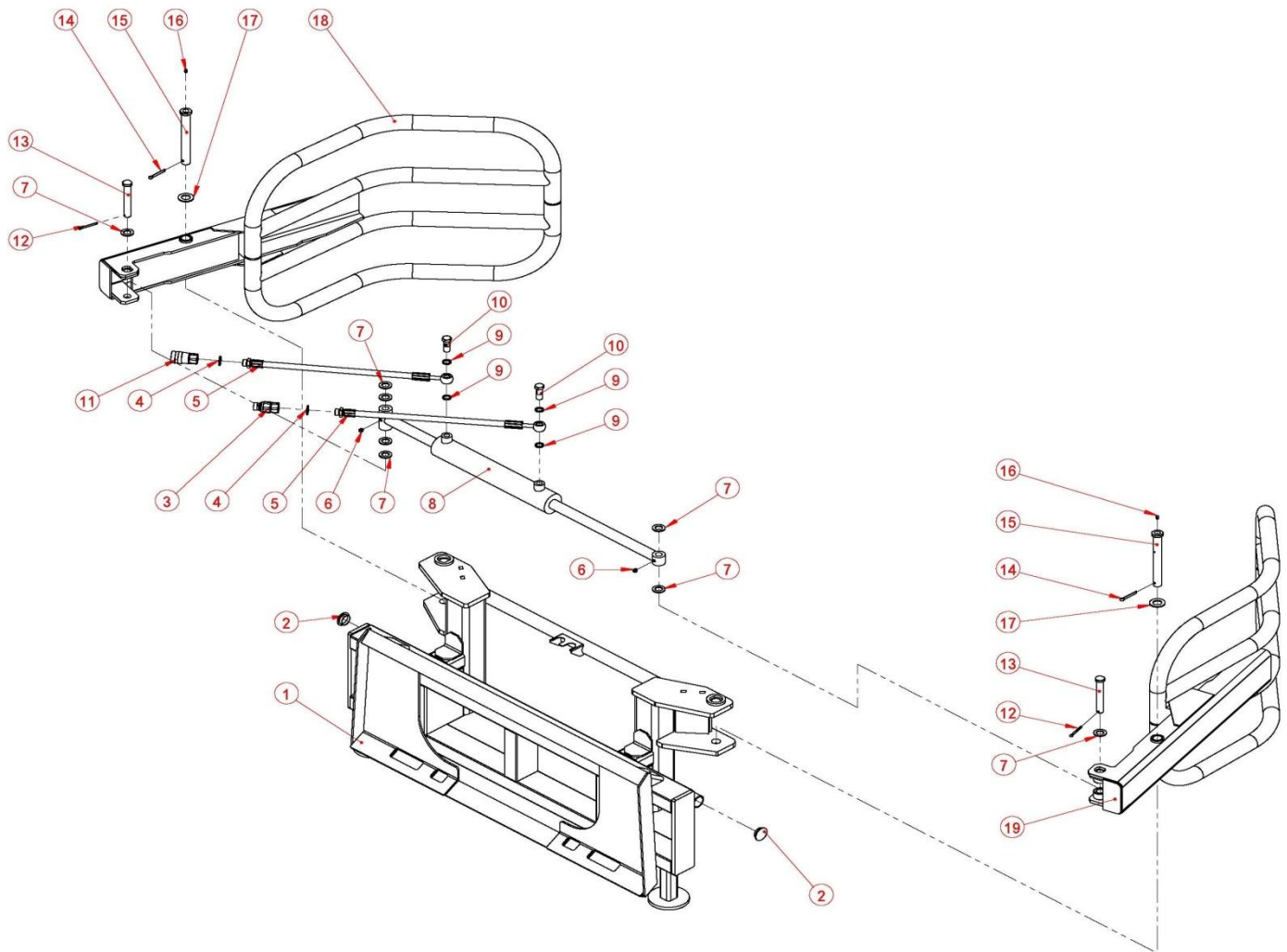
This warranty does not apply to any part or product which in TMG's judgment shall have been misused or damaged by accident or lack of normal maintenance or care, or which has been repaired or altered in a way which adversely affects its performance or reliability, or which has been used for a purpose for which the product not designed. Misuse also specifically includes failure to properly maintain grease points.

Claims under this warranty must be made to the dealer which originally sold the product and all warranty adjustments must be made through such dealer. TMG reserves the right to make changes in materials or design of the product at any time without notices.

This warranty shall not be interpreted to render TMG liable for damages of any kind, direct, consequential, or contingent to property. Furthermore, TMG shall not be liable for damages resulting from any cause beyond its reasonable control. This warranty does not extend to loss of crops, any expense or loss for labor, supplies, rental machinery or for any other reason.

No other warranty of any kind whatsoever, express or implied, is made with respect to this sale; and all implied warranties of merchantability and fitness for a particular purpose which exceed the obligations set forth in this written warranty are hereby disclaimed and excluded from this sale.

## 6. Part Breakdown



## 7. Part Breakdown List

Part No.	Ref. No.	Part Description	Qty.	Remark
1	4030600005	Main Frame	1	
2	4100200024	Rubber plug 35	2	
3	4080100016	Flat Face Type Hydraulic Quick Coupling G1/2 (Male)	1	
4	7040600005	Combined washer 22 (G1/2")	2	
5	4080100020	Tubing L1900	2	
6	4300400003	Grease nipple M10x1	2	
7	7040100009	Plain washer 20x3	8	
8	4070000006	Cylinder	1	
9	7040600004	Combined washer 18	4	
10	7010600004	Hinge bolt M18x1.5x43	2	
11	4080100015	Flat Face Type Hydraulic Quick Coupling G1/2 (Female)	1	
12	7100100003	Cotter pin 5X50	2	
13	4020000080	Pin	2	
14	7100100004	Cotter pin 6.3X50	2	
15	4020000079	Pin	2	
16	4300400001	Grease nipple M6x1	2	
17	4010000069	Washer	2	
18	4030600002	Left claw arm weldment	1	
19	4030600003	Right claw arm weldment	1	