

72" Skid Steer Brush Mower (3 blades)

Model:TMG-SBC73



- Please read the product manual completely before assembly
- Check against the parts list to make sure all parts are received
- Wear proper safety goggles or other protective gears while in assembly

Missing parts or questions on assembly?

Please call: 1-877-761-2819 or email: cs@tmgindustrial.com

Do not return the product to dealer, they are not equipped to handle your requests

TABLE OF CONTENTS

TO THE OWNER.....	2/14
SAFETY PRECAUTIONS.....	3/14
SKID STEER BRUSH MOWER(3 BLADES) ASSEMBLY.....	7/14
OPERATION INSTRUCTIONS.....	11/14
MAINTENANCE INSTRUCTIONS.....	12/14
STORAGE INSTRUCTIONS.....	13/14
SPECIFICATIONS.....	14/14

TO THE OWNER

GENERAL COMMENTS

Congratulations for having this skid steer brush mower(3 blades) attachment! Your skid steer brush mower(3 blades) attachment was carefully designed and manufactured to give you years of dependable service. Your skid steer brush mower(3 blades) attachment will require some minor maintenance(such as cleaning and lubricating) to keep it in top working condition.

Be sure to observe all safety precautions and maintenance procedures as described in this manual.

ABOUT THIS MANUAL

This manual has been designed to help you do a better and safer job. Read this manual carefully and become familiar with its contents. Remember, never let anyone operate this unit without reading the "Safety Precautions" and "Operation Instructions" sections of this manual. Unless noted otherwise, right and left sides are determined from the position of the skid steer operator sitting in the seat facing forward.

SERVICE

When service your skid steer brush mower(3 blades) attachment, please remember to use only manufacturer replacement parts. Substitute parts may not meet the standards required for safe, dependable operation. To facilitate parts ordering, pls. record the model No. and serial No. of the metal plate on your unit.

SAFETY PRECAUTIONS

The skid steer brush mower(3 blades) attachments are designed to be easy to use and maintain. They are operated by the skid steer auxiliary hydraulics. The skid steer brush mower(3 blades) attachments mount to the toolbar or quick attach mechanism for easy mounting.

BEFORE OPERATION

1.The operator must read the operation manual carefully before installation, operation or maintenance. Improper operation will cause the machine damaged or the operator dead.

2.Read all the safe signs and safe declarations. Obey all the professional safe terms, local laws or the professional directions.

3.Familiar with the skid steer brush mower(3 blades) attachment about functions, specs and operation. Replace the to-be-damaged parts in time. Make sure all the hydraulic installations and couplings connect firmly, and all the safe signs stick on the suitable positions clearly.

TO THE OPERATOR

WARNING! PROTECT AGAINST FLYING DEBRIS



1. Always wear proper safety glasses, goggles, or a face shield when driving pins in or out, or when any operation causes dust, flying debris, or any other hazardous material.

2. Don't modify the skid steer brush mower(3 blades) attachment casually.

3. Should keep the machine on the flat ground when repair, far away from the transportation and other dangerous places.

4. Should use the right tools to repair.

5. Don't operate the machine, unless you are professional, have certificates, and familiar with its functions, specs and safe operation rules.

6. Must not leave the machine when the machine is running. Must stop the engine at first and then remove the key if want to leave.

SAFETY PRECAUTIONS

These are common practices that may or may not be applicable to the products described in this manual.

Safety at All Times

Thoroughly read and understand the instructions given in this manual before operation. Refer to the "Safety Label" section, read all instructions noted on them.

Do not allow anyone to operate this equipment who has not fully read and comprehended this manual and who has not been properly trained in the safe operation of the equipment.

- ▲ The operator must not use drugs or alcohol as they can change the alertness or coordination of that person while operating equipment. The operator should, if taking over-the-counter drugs, seek medical advice on whether he/she can safely operate the equipment.
- ▲ Operator should be familiar with all functions of the unit.
- ▲ Make sure all guards and shields are in place and secured before operating implement.
- ▲ Keep all persons away from equipment and work area.
- ▲ Start skid steer with steering levers and hydraulic controls in neutral.
- ▲ Operate implement and loader arms from the driver's seat only.
- ▲ Dismounting from a moving unit can cause serious injury or death.
- ▲ Do not allow anyone to stand between skid steer and implement while hooking-up to implement.
- ▲ Keep hands, feet, and clothing away from power-driven parts.
- ▲ Watch out for objects overhead and along side such as fences, buildings, wires, trees, limbs, etc., while transporting and operating attached implement.
- ▲ Detach and store implement in an area where children normally do not play. Secure implement by using blocks and supports.

Look For The Safety Alert Symbol



The SAFETY ALERT SYMBOL indicates there is a potential hazard to personal safety involved and extra safety precaution must be taken. When you see this symbol, be alert and carefully read the message that follows it. In addition to design and configuration of equipment, hazard control, and accident prevention are dependent upon the awareness, concern, prudence, and proper training of personnel involved in the operation, transport, maintenance, and storage of equipment.

Be Aware of Signal Words

A Signal word designates a degree or level of hazard seriousness. The signal words are:

▲ DANGER

Indicates an imminently hazardous situation which, if not avoided, will result in death or serious injury. This signal word is limited to the most extreme situations, typically for machine components that, for functional purposes, cannot be guarded.

▲ WARNING

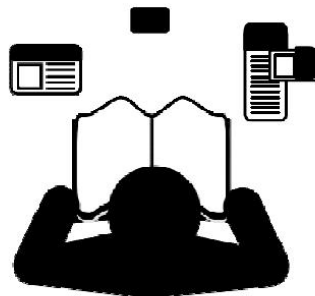
Indicates a potentially hazardous situation which, if not avoided, could result in death or serious injury, and includes hazards that are exposed when guards are removed. It may also be used to alert against unsafe practices.

▲ CAUTION

Indicates a potentially hazardous situation which, if not avoided, may result in minor or moderate injury. It may also be used to alert against unsafe practices.

For Your Protection

- ▲ Thoroughly read and understand the "Safety Label" section, read all instructions noted on them.



Avoid Underground Utilities

▲ Dig Safe

- Always contact your local utility companies (electrical, telephone, gas, water, sewer, and others) before digging so that they may mark the location of any underground services in the area.
- ▲ Be sure to ask how close you can work to the marks they positioned.



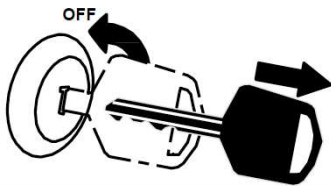
SAFETY PRECAUTIONS

These are common practices that may or may not be applicable to the products described in this manual.

Shutdown and Storage

Before leaving operator's seat:

- ▲ Lower lift arms and put attachment flat on the ground.
- ▲ Turn off engine and engage parking brake.
- ▲ If included, raise seat bar and move controls until both lock.
- ▲ Remove key to prevent unauthorized starting.
- ▲ Use steps, grab-handles and anti-slip surfaces when getting on or off the loader.
- ▲ Detach and store implements in an area where children normally do not play. Secure implement by using blocks and supports.



Transport Safely

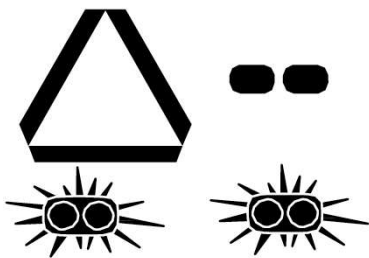
- ▲ Comply with state and local laws.
- ▲ Never travel at a speed which does not allow adequate control of steering and stopping. Some rough terrains require a slower speed.
- ▲ Avoid contact with any over head utility lines or electrically charged conductors.
- ▲ Always drive with load on end of loader arms low to the ground.
- ▲ Always drive straight up and down ramps with load on "uphill" side of skid steer.
- ▲ Engage parking brake when stopped on an incline.

- ▲ **IMPORTANT:** Do not tow a load That is more than double the weight of the vehicle towing the load.
- ▲ Use towing vehicle and trailer of adequate size and capacity. Secure equipment towed on a trailer with tie downs and chains.
- ▲ Sudden braking can cause a towed trailer to swerve and upset. Reduce speed if towed trailer is not equipped with brakes.



Use Safety Lights and Devices

- ▲ Slow moving self-propelled equipment, and towed implements can create a hazard when driven on public roads. They are difficult to see, especially at night.
- ▲ Flashing warning lights and turn signals are recommended whenever driving on public roads.



Practice Safe Maintenance

- ▲ Understand procedure before doing work. Use proper tools and equipment, refer to Operator's Manual for additional information.
- ▲ Work in a clean dry area.
- ▲ Lower attached implement to the ground and follow all shutdown procedures before leaving the operator's seat to perform maintenance.
- ▲ Allow implement to cool completely before working on it.
- ▲ Disconnect battery ground cable (-) before servicing or adjusting electrical systems or before welding on implement.
- ▲ Do not grease or oil implement while it is in operation.
- ▲ Inspect all parts. Make sure parts are in good condition & installed properly.
- ▲ Remove buildup of grease, oil, or debris.
- ▲ Remove all tools and unused parts from implement before operation.

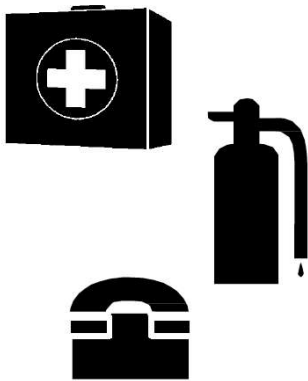


SAFETY PRECAUTIONS

These are common practices that may or may not be applicable to the products described in this manual.

Prepare for Emergencies

- ▲ Be prepared if a fire starts.
- ▲ Keep a first aid kit and fire extinguisher handy.
- ▲ Keep emergency numbers for doctor, ambulance, hospital, and fire department near phone.



Wear Protective Equipment

- ▲ Wear protective clothing and equipment appropriate for the job. Clothing should be snug fitting without fringes and pull strings to avoid entanglement with moving parts.
- ▲ Prolonged exposure to loud noise can cause hearing impairment or hearing loss. Wear suitable hearing protection such as earmuffs or earplugs.
- ▲ Operating equipment safely requires the operator's full attention. Avoid wearing radio headphones while operating machinery.



Avoid High Pressure Fluids Hazard

- ▲ Escaping fluid under pressure can penetrate the skin causing serious injury.
- ▲ Avoid the hazard by relieving pressure before disconnecting hydraulic lines or performing work on the system.
- ▲ Make sure all hydraulic fluid connections are tight and all hydraulic hoses and lines are in good condition before applying pressure to the system.
- ▲ Use a piece of paper or cardboard, NOT BODY PARTS, to check for suspected leaks.
- ▲ Wear protective gloves and safety glasses or goggles when working with hydraulic systems.
- ▲ **DO NOT DELAY.** If an accident occurs, see a doctor familiar with this type of injury immediately. Any fluid injected into the skin or eyes must be treated within a few hours or gangrene may result.



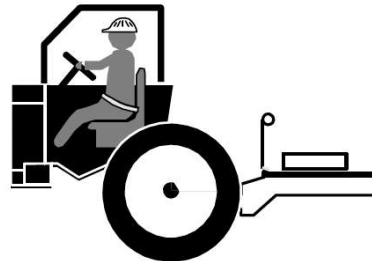
Tire Safety

- ▲ Tire changing can be dangerous and should be performed by trained personnel using the correct tools and equipment.
- ▲ When inflating tires, use a clip-on chuck and extension hose long enough to allow you to stand to one side and NOT in front of or over the tire assembly. Use a safety cage if available.
- ▲ When removing and installing wheels, use wheel handling equipment adequate for the weight involved.



Use Seat Belt and ROPS

- ▲ Operate only skid steers equipped with a Roll-Over Protective Structure (ROPS) and seat belt.
- ▲ Fasten seat belt snugly and securely to help protect against serious injury or death from falling and skid steer overturn.
- ▲ Wearing protective equipment such as safety shoes, safety glasses, hard hat, and ear plugs is highly recommended.

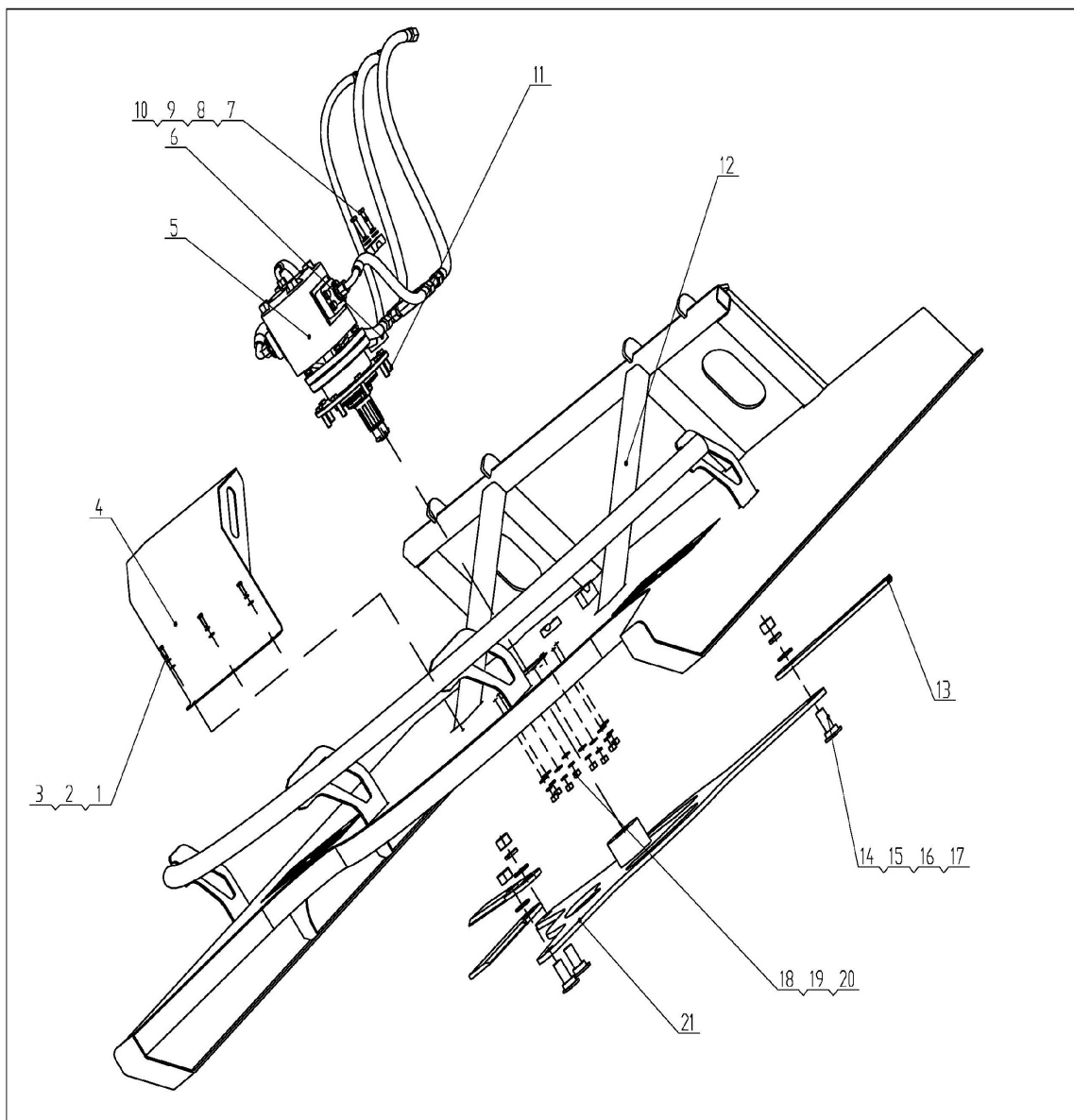


Keep Riders Off Machinery

- ▲ Never carry riders or use Machinery as a person lift.
- ▲ Riders obstruct operator's view.
- ▲ Riders could be struck by foreign objects or thrown from the machine.
- ▲ Never allow children to operate equipment.



SKID STEER BRUSH MOWER(3 BLADES) ASSEMBLIES



SKID STEER BRUSH MOWER(3 BLADES) ASSEMBLY

SKID STEER BRUSH MOWER(3 BLADES) ASSEMBLIES

PART NO.	S/N.	PART DESCRIPTION	QTYS	NOTE
1	GB/T 5783	HEX HEAD BOLT	3	M8X25
2	GB93	SPRING WASHER D8	3	
3	GB97.1	FLAT WASHER D8	3	
4	050872III.02	MOTOR COVER	1	
5		HYDRAULIC AND TRANSMISSION ASSEMBLY	1	
6	Φ 20	SINGLE HOLE PIPE CLAMP	1	
7	050872III.00-07	CHECK VALVE PIPE CLAMP	1	
8	GB/T 5783	HEX HEAD BOLT	2	M10x45
9	GB93	SPRING WASHER D10	2	
10	GB97.1	FLAT WASHER D10	2	
11	GB/T5783	HEX HEAD BOLT	8	M12x45
12	050872III.01	FRAME	1	
13	0508-DP	BLADE	3	
14	050872III.00-06	THREADED SHAFT	3	
15	GB/T97.1	FLAT WASHER D24	3	
16	GB/T93	SPRING WASHER D24	3	
17	GB/T6182	LOCK NUT	3	M24
18	GB97.1	FLAT WASHER D12	8	
19	GB/T93	SPRING WASHER D12	8	
20	GB/T 6170	HEX NUT	8	M12
21	050872III.05	BLADE BASE	1	

SKID STEER BRUSH MOWER(3 BLADES) ASSEMBLIES

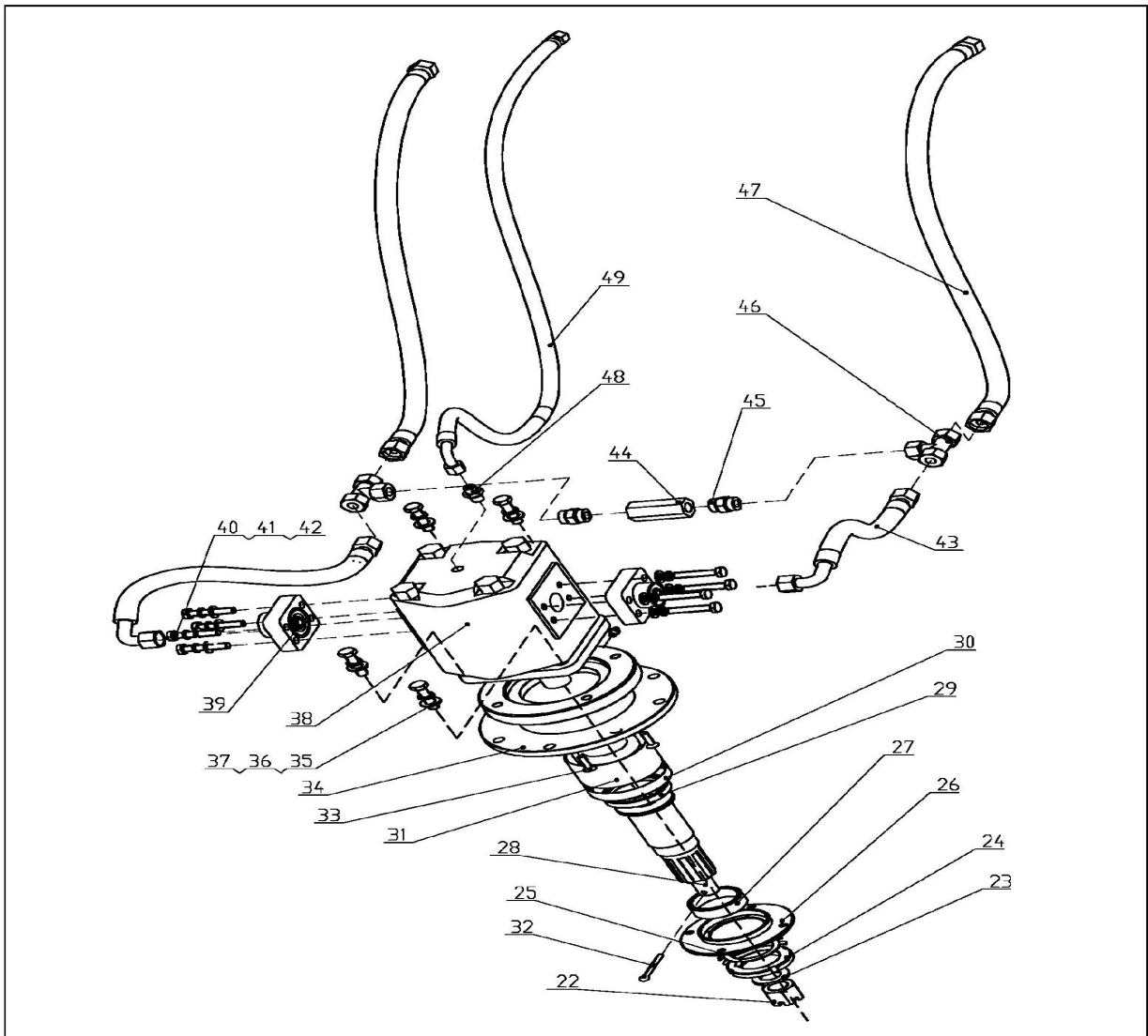


FIGURE A HYDRAULIC AND TRANSMISSION ASSEMBLY


SKID STEER BRUSH MOWER(3 BLADES) ASSEMBLIES


PART NO.	S/N	PART DESCRIPTION	QTYS	NOTE
22	GB/T6179	TYPE I HEX SLOTTED NUT	1	M24x2
23	050872III.00-04	GASKET	1	
24	GB812	ROUND NUT	1	M52
25	GB858	TAB WASHER FOR ROUND NUT	1	D52
26	050872III.00-03	BEARING COVER	1	
27	050872III.00-05	BEARING INNER BAFFLE	1	
28	050872III.00-01	JOINT SHAFT	1	
29	GB9877.1-88	SKELETON OIL SEAL	1	65*80*10
30	050872III.00-02	BEARING OUTER BAFFLE	1	
31	051360-01-10	TAB WASHER FOR ROUND NUT	1	D65
32	GB91	SPLIT PIN	1	D5*50
33	GB299	DOUBLE ROW TAPERED ROLLER BEARING	1	352211E
34	050872III.03	BEARING BASE	1	
35	GB/T97.1	FLAT WASHER D12	4	
36	GB/T93	SPRING WASHER D12	4	
37	GB/T5783	HEX HEAD BOLT	4	M12X45
38	050872I.00.01	HYDRAULIC MOTOR CMZ2063-BFPS	1	
39	KF20/18L	SAE FLANGE JOINT	2	
40	GB/T97.1	FLAT WASHER D10	8	
41	GB/T93	SPRING WASHER D10	8	M12
42	GB/T5783	HEX HEAD BOLT	8	M10X55
43	F381CACF1181810-600	HOSE	2	
44	CI-T04-05-10	TUBULAR CHECK VALVE	1	
45	IE18LR1/2 ED	END STRAIGHT JOINT	2	
46	TZ18L	TEE COMBINATION CONNECTOR	2	
47	F381CACA181810-2000	HOSE	2	
48	IE10LM14*1.5ED	END STRAIGHT JOINT	1	
49	F381CACF101005-2300	HOSE	1	

OPERATION INSTRUCTIONS

The brush mower can cut off the tall grass and brush up to 2" in diameter.

1. Attach the mower to the toolbar or quick attach mechanism of your skid steer loader, raise the back of the unit of the ground about 4" to allow the material to clear from under the cutting deck as you travel forward.
2. Place the front skid shoes 1-2inches off the ground. This is the preferred position for cutting grass and heavy vegetation. Never drive your skid steer loader with the front of the brush mower tilted to the point your view is obstructed. Always make sure you can see what you are cutting.
3. Check the work area. Never operate the brush mower in populated areas where thrown objects could injure persons or damage property. Never raise the unit and expose yourself or anyone else to the rotating blades. If you can see the blades then the back of the unit is raised too high.
4. Activate the auxiliary hydraulics with the engine at idle. Increase engine speed. Supply the power to the brush mower, and let the hydraulic motor work.
5. Be sure the rotary mower is operating smoothly and at full speed, and then slowly push the skid steer loader forward when the brush mower monitoring the blade rotation.
6. Return the engine speed to idle and discharge the auxiliary hydraulics. Remove the brush mower from debris.

WARNING!  Operating the standard flow rotary cutter on a high flow hydraulic system may cause severe injury or death to the operator or bystanders due to the increased RPM. Do NOT operate the standard flow rotary cutters on high flow hydraulic systems.

WARNING!  Lift limiting chain must be properly installed before operation.

MAINTENANCE INSTRUCTIONS

1. Check the skid steer loader hydraulic system to ensure an adequate level of hydraulic oil every day.
2. Check all the fasteners loose regularly, and tighten them promptly every day.
3. Check the hydraulic system whether leak, if does, replace the new hose joints or hoses every day.
3. Check the parts whether damaged, and the solders whether crack, repair them if necessary every day.
4. Long-time use may let the cutting edge blunt and influence the working efficiency, and should grind the cutting edge or replace the new ones every day.
5. After work, should clean the weeds, debris of the disc in time, to keep the disc rotate flexibly every day.
6. Check the oil level of the motor once a week, fill as necessary with 80-90 weight gear lubricant. Remember don't overfill, as too much lubricant may rupture the motor seals.

WARNING!



Escaping fluid under pressure can have sufficient force to penetrate the skin, causing serious personal injury. Fluid escaping from a very small hole can be almost invisible. Use a piece of cardboard or wood, rather than hands to search for suspected leaks.

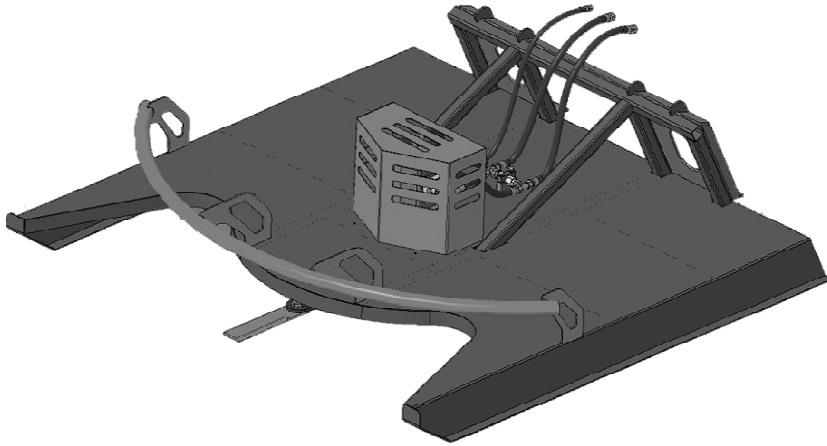
Keep unprotected body parts, such as face, eyes, and arms as far away as possible from a suspected leak. Flesh injected with hydraulic fluid may develop gangrene or other permanent disabilities.

If injured by injected fluid, see a doctor at once. If your doctor is not familiar with this type of injury, ask him to research it immediately to determine proper treatment.

STORAGE INSTRUCTIONS

- 1. Clean all the debris, all mud, dirt and grease.**
- 2. Replace all the blades at the same time and don't try to weld or straighten damaged blades; loss of integrity may result.**
- 3. Inspect the unit for bent, loose, cracked, damaged or missing parts, Order any parts required, and make the necessary repairs to avoid delays when starting next season.**
- 4. Tighten all loose nuts, bolts, screws and hydraulic connections.**
- 5. Touch up all the unpainted and exposed areas with paint to prevent rust.**
- 6. Replace security labels and tags if damaged, or in unreadable condition.**
- 7. Connect the hydraulic couplers together or use the oil nuts to block the hydraulic hoses.**
- 8. Check the motor for proper lubricant level.**
- 9. Apply a rust-preventive spray to all moving parts and to the bottom of the deck.**
- 10. Should put the device in the dry non-corrosive place. If in nude outside, will lessen the lifetime of the unit.**

SPECIFICATIONS



38
32
304
48

MODEL	TMG-SBC73
TOTAL LENGTH (MM)	2045
TOTAL WIDTH (MM)	2030
TOTAL HEIGHT (MM)	530
TOTAL WEIGHT (KGS)	285
CUTTING WIDTH (MM)	1830
MIN.CUTTING HEIGHT (MM)	≥50
SYSTEM FLOW (L/MIN)	60-80
MAX. PRESSURE (MPA)	18
CUTTING BLADE NUMBER (PCS)	3