

12FT X 9FT Heavy Duty**Adjustable Rock Screen****Model: TMG-RS12**

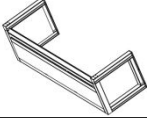
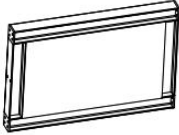
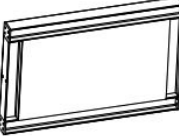









- Please read the product manual completely before assembly
- Check against the parts list to make sure all parts are received
- Wear proper safety goggles or other protective gears while in assembly


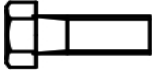
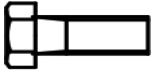
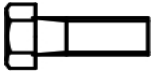

Missing parts or questions on assembly?

Please call: 1-877-761-2819 or email: cs@tmgindustrial.com

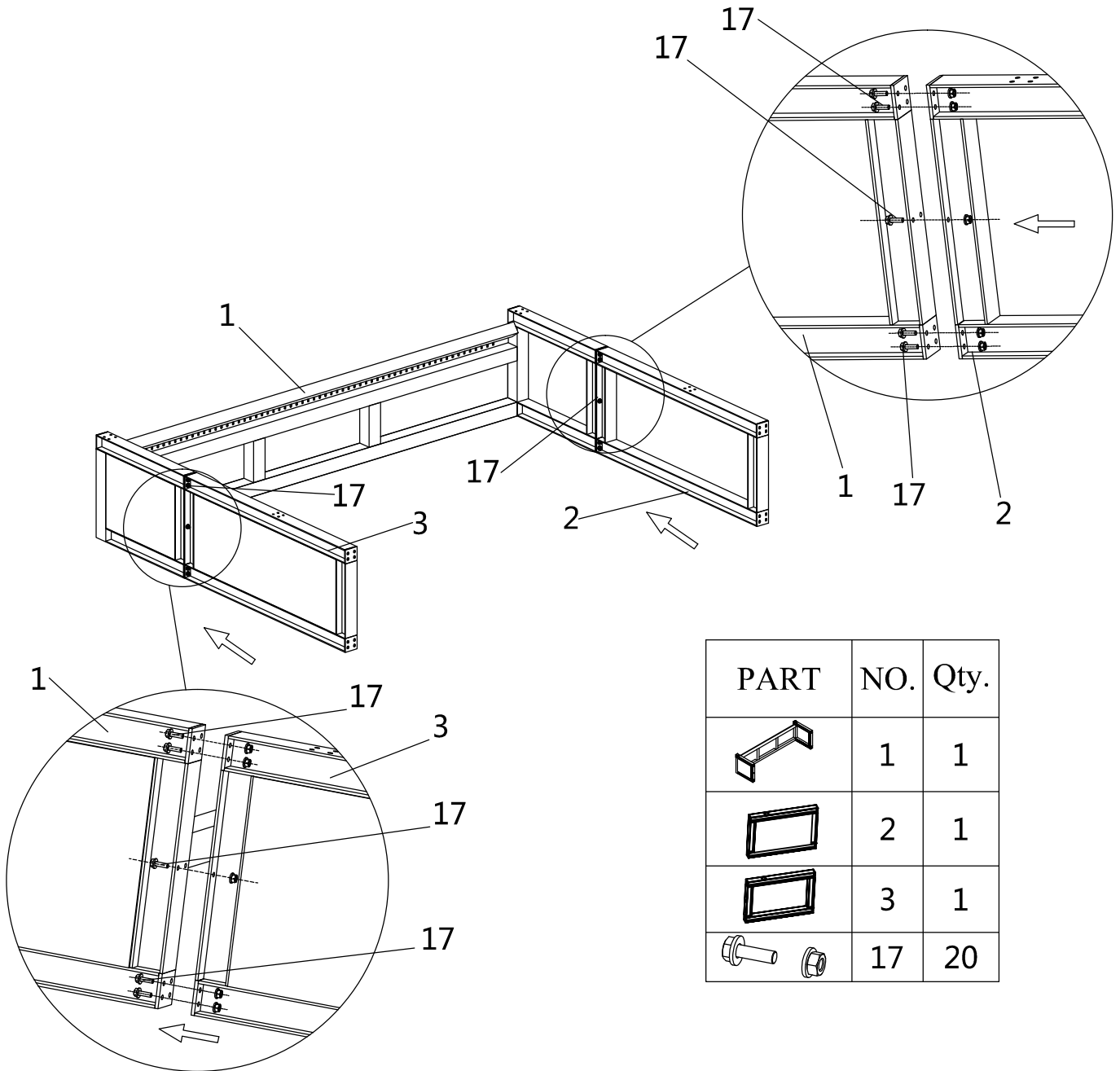
Do not return the product to dealer, they are not equipped to handle your requests

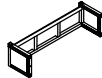
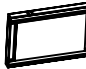
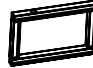

TMG-RS12 Part List

| Parts code | Parts profile | Qty |
|------------|---|-----|
| 1 |  | 1 |
| 2 |  | 1 |
| 3 |  | 1 |
| 4 |  | 1 |
| 5 |  | 1 |
| 6 |  | 1 |
| 7 |  | 1 |
| 8 |  | 1 |
| 9 |  | 2 |
| 10 |  | 2 |
| 11 |  | 1 |
| 12 |  | 2 |

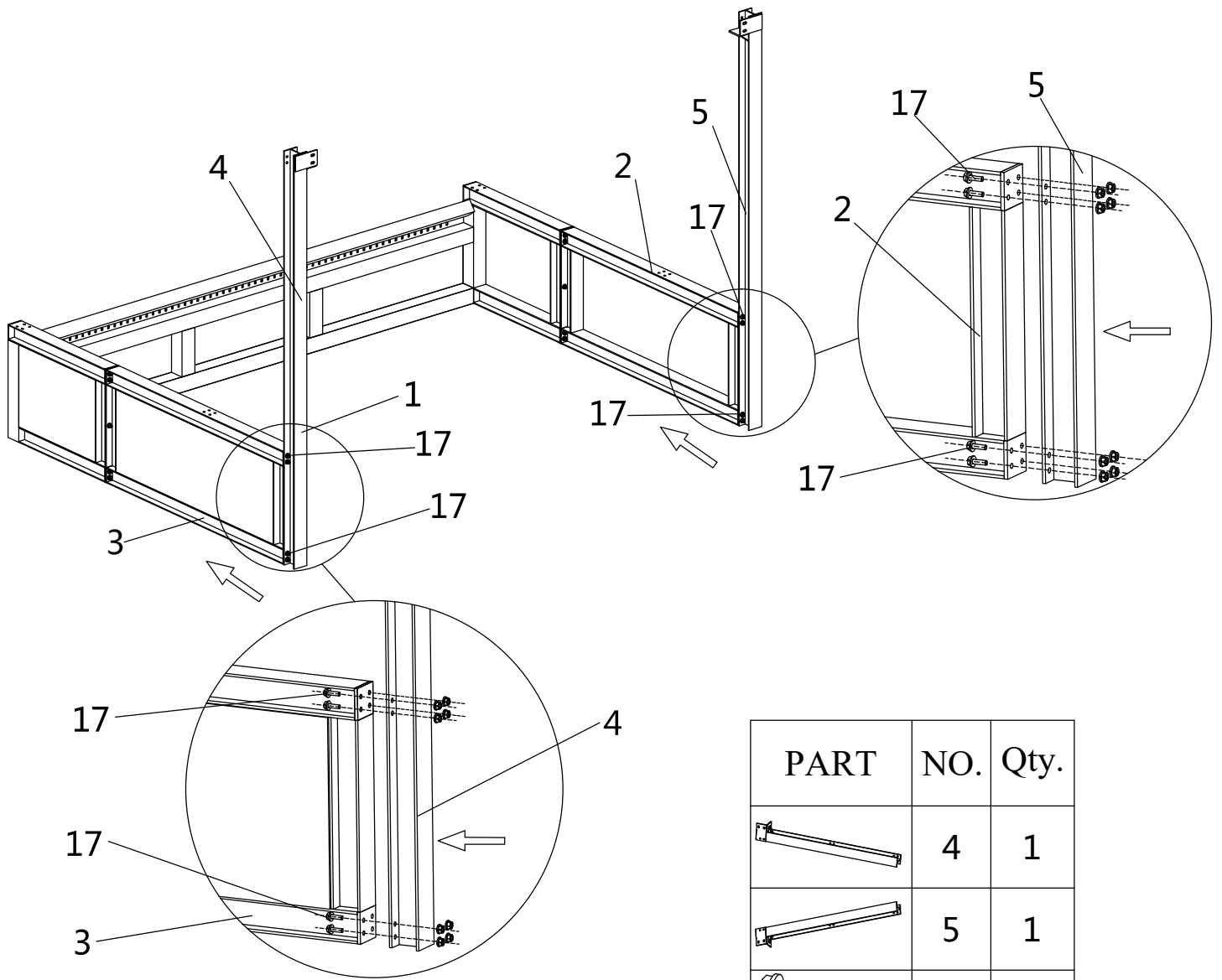
| | | |
|----|---|-----------------|
| 13 |  | 22 |
| 14 |  | 4 (M12x20) |
| 15 |  | 4 (M12x140) |
| 16 |  | 88 (M10x30) |
| 17 |  | 76 (M12x40) |



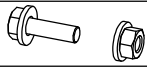
Step 1:



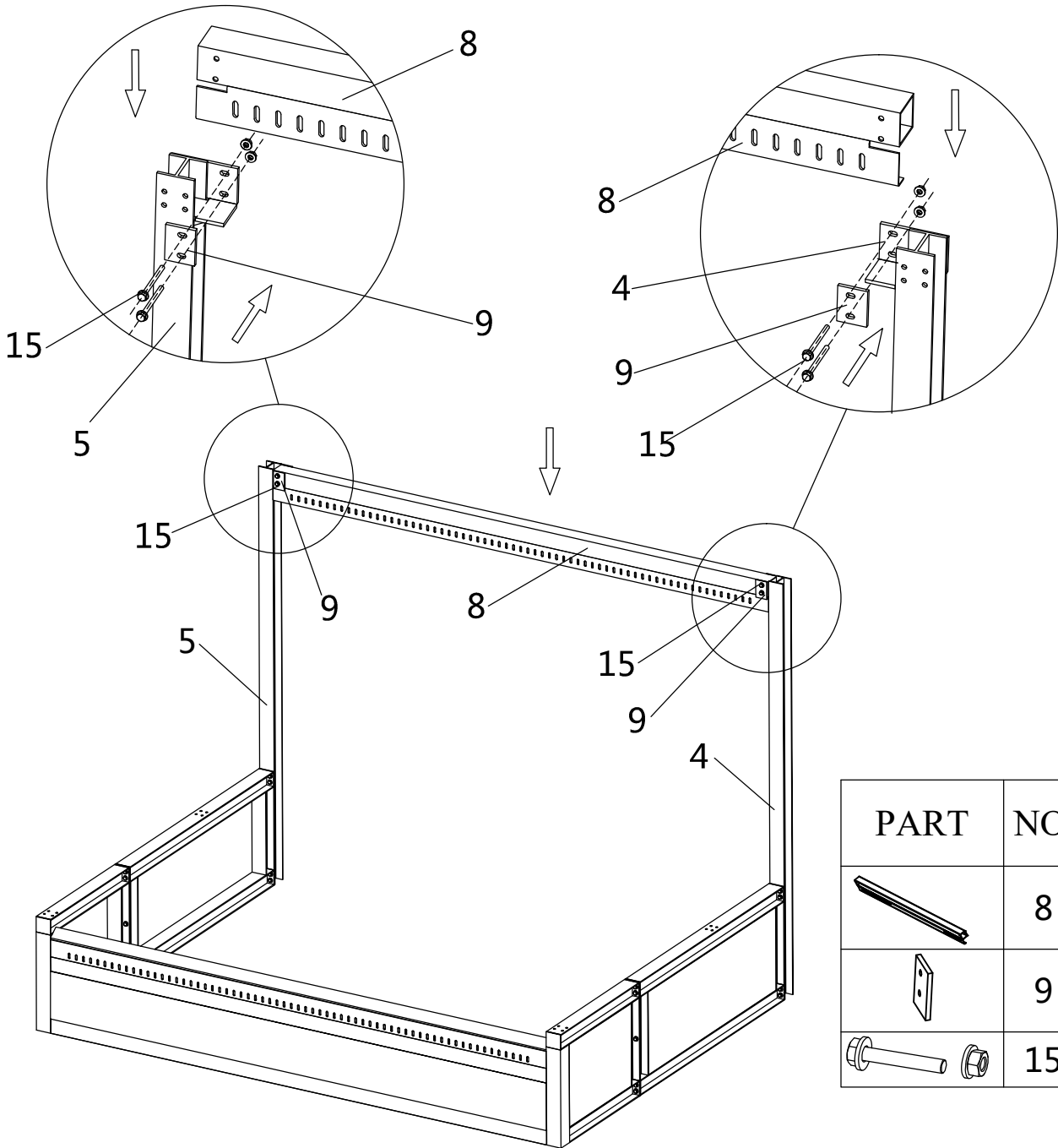
| PART | NO. | Qty. |
|---|-----|------|
|  | 1 | 1 |
|  | 2 | 1 |
|  | 3 | 1 |
|  | 17 | 20 |



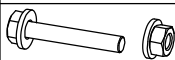
Step 2:



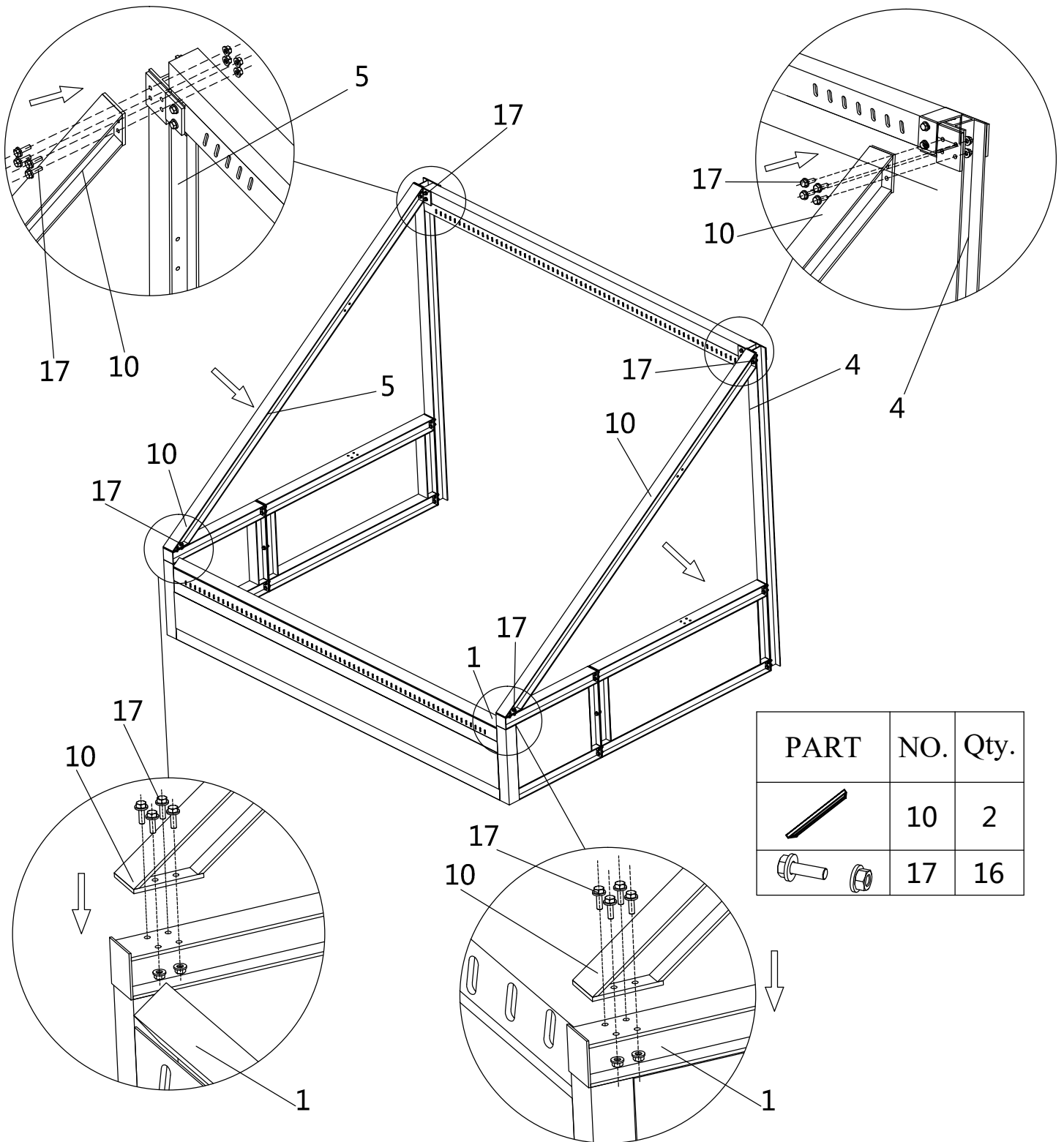
| PART | NO. | Qty. |
|--|-----|------|
|  | 4 | 1 |
|  | 5 | 1 |
|  | 17 | 16 |



Step 3:



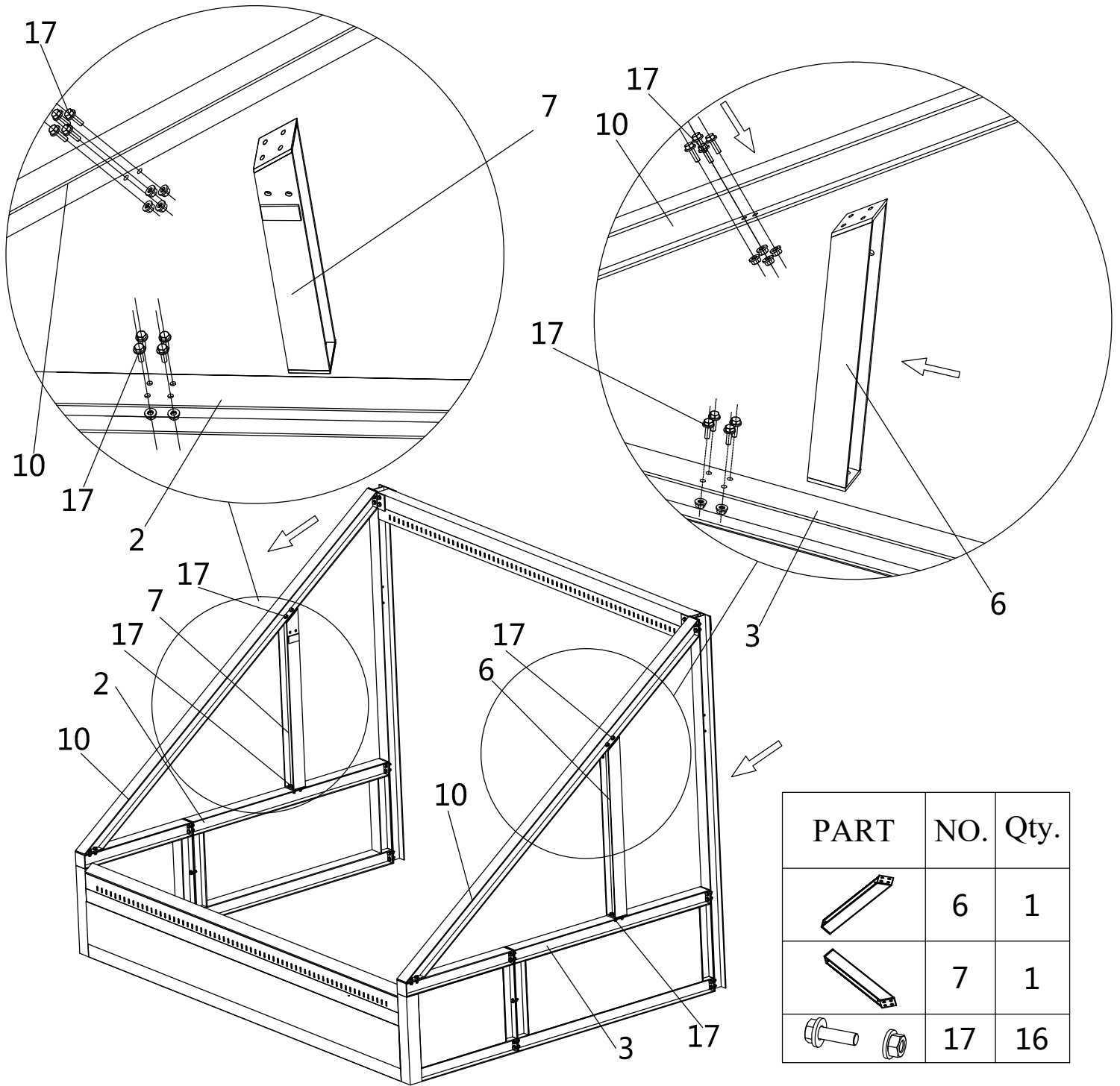
| PART | NO. | Qty. |
|---|-----|------|
|  | 8 | 1 |
|  | 9 | 2 |
|  | 15 | 4 |


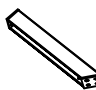

Step 4:



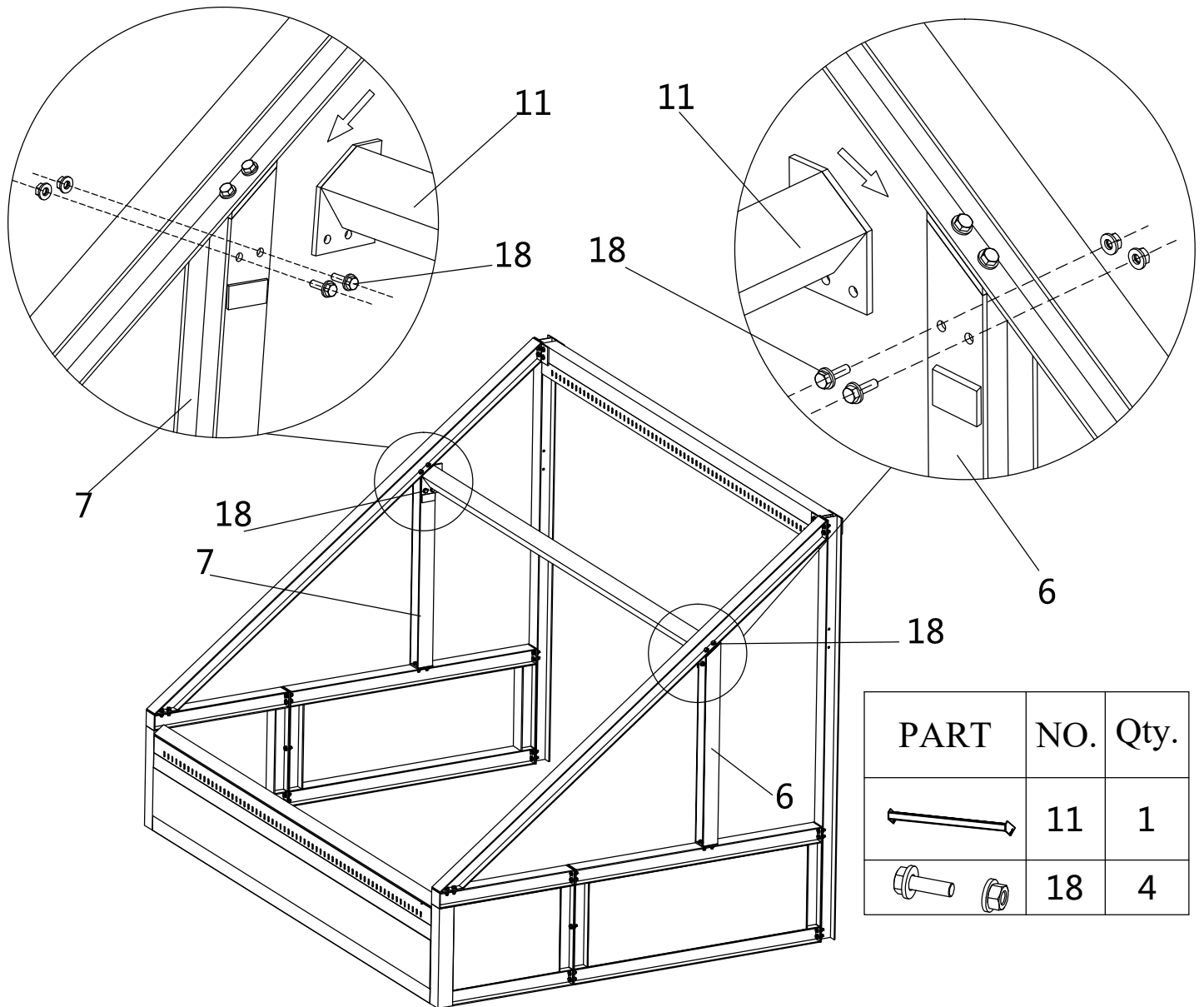
| PART | NO. | Qty. |
|---|-----|------|
|  | 10 | 2 |
|  | 17 | 16 |



Step 5:





| PART | NO. | Qty. |
|---|-----|------|
|  | 6 | 1 |
|  | 7 | 1 |
|  | 17 | 16 |

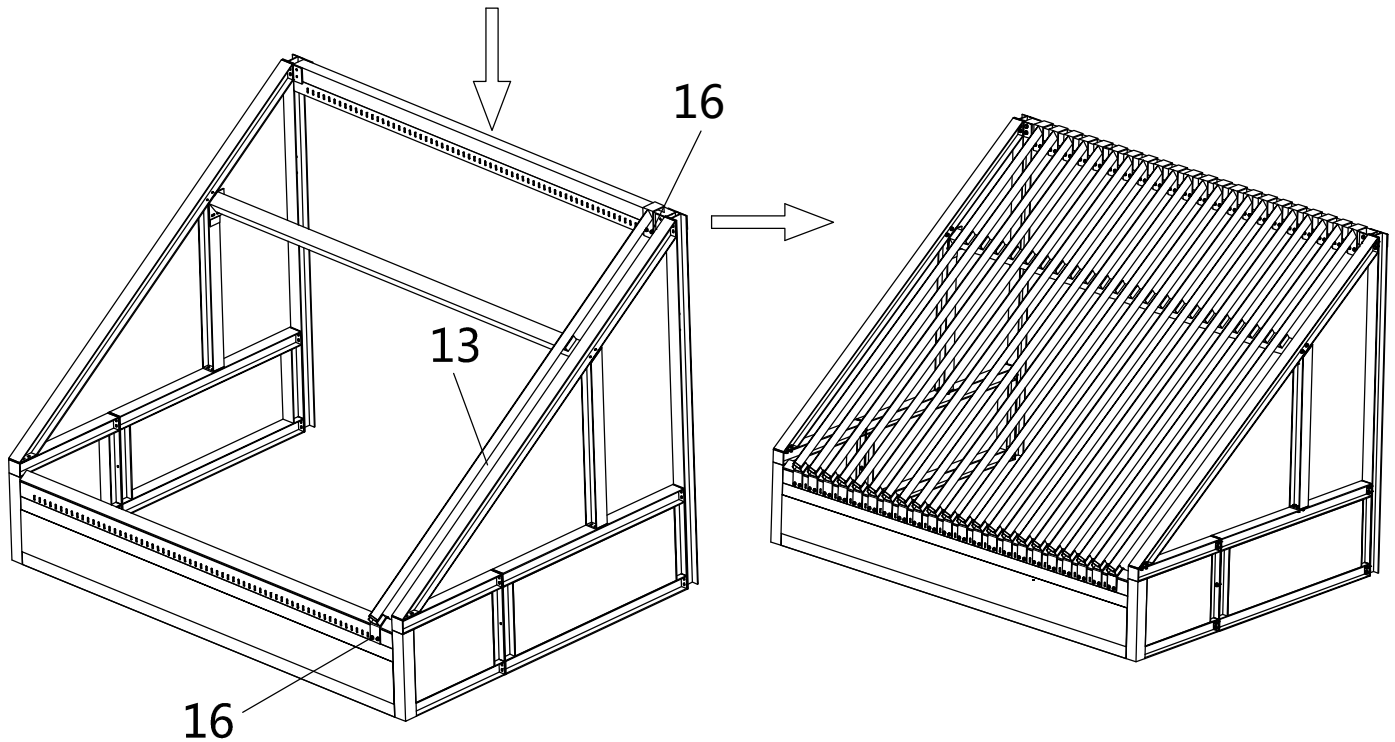
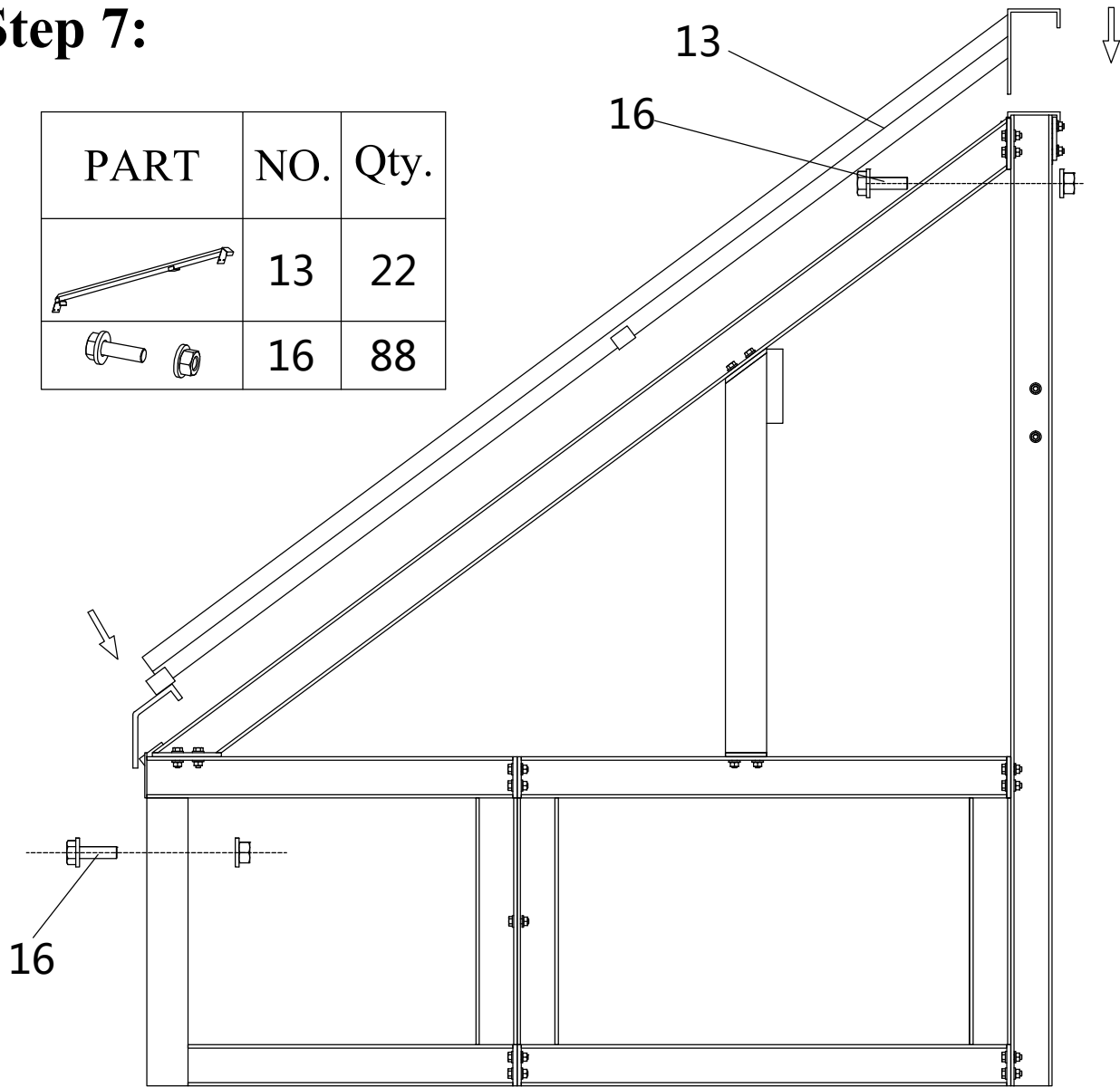
Step 6:



| PART | NO. | Qty. |
|---|-----|------|
|  | 11 | 1 |
|  | 18 | 4 |

Step 7:

| PART | NO. | Qty. |
|---|-----|------|
|  | 13 | 22 |
|  | 16 | 88 |



Step 8:

