

10FT X 7FT Heavy Duty**Adjustable Grizzly Rock Screen****Model: TMG-RS10**

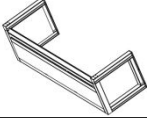
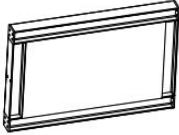
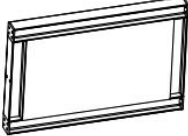









- Please read the product manual completely before assembly
- Check against the parts list to make sure all parts are received
- Wear proper safety goggles or other protective gears while in assembly


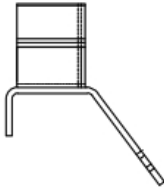
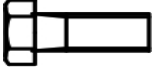
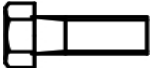
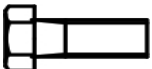
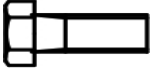
Missing parts or questions on assembly?

Please call: 1-877-761-2819 or email: cs@tmgindustrial.com

Do not return the product to dealer, they are not equipped to handle your requests

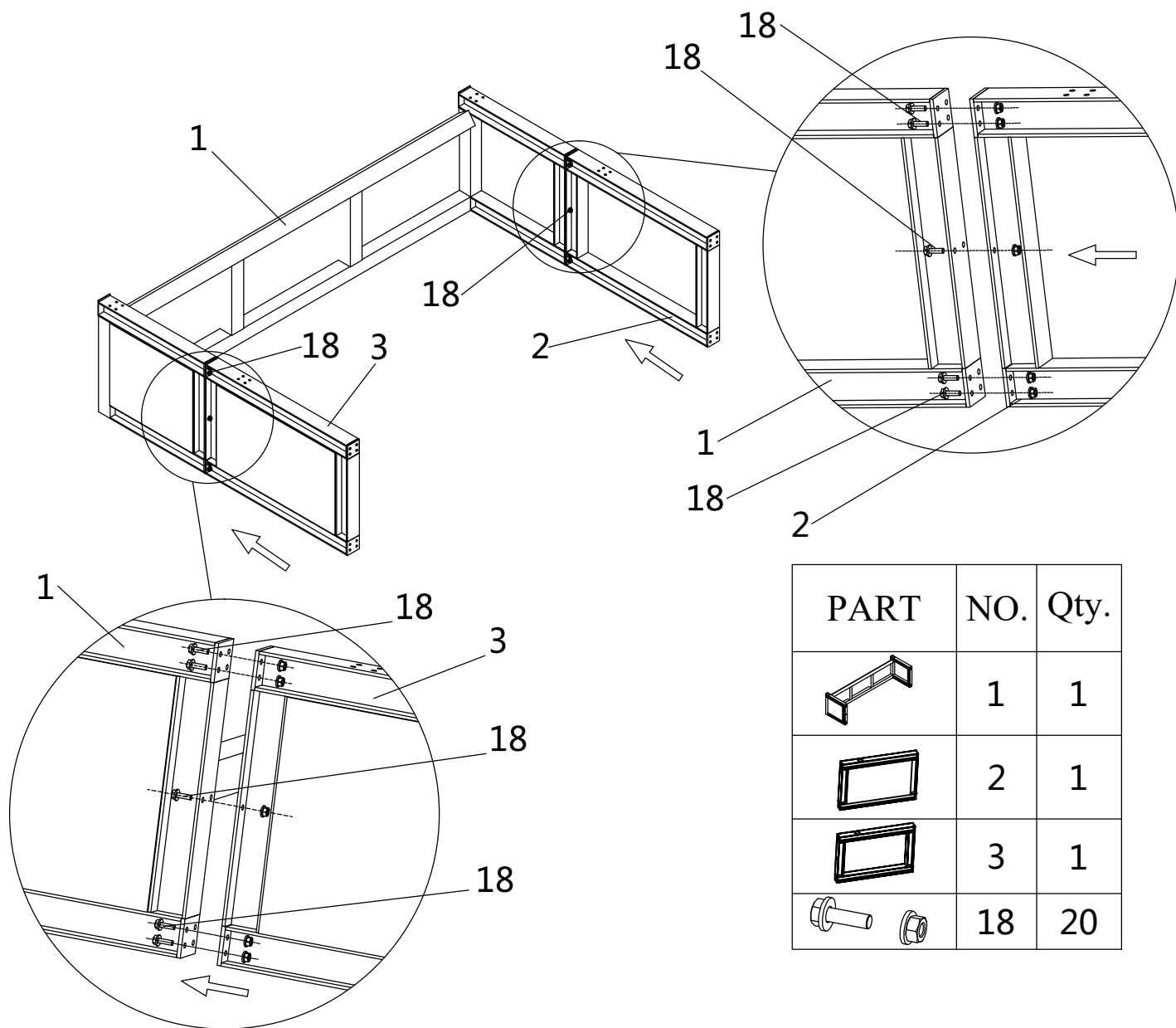
TMG-RS10 Part List

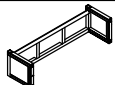
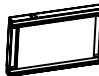

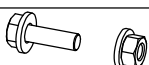
Parts code	Parts profile	Qty
1		1
2		1
3		1
4		1
5		1
6		1
7		1
8		1
9		2
10		2
11		1
12		2

13		15
14		15
15		4 (M12x20)
16		4 (M12x140)
17		60 (M10x30)
18		76 (M12x40)

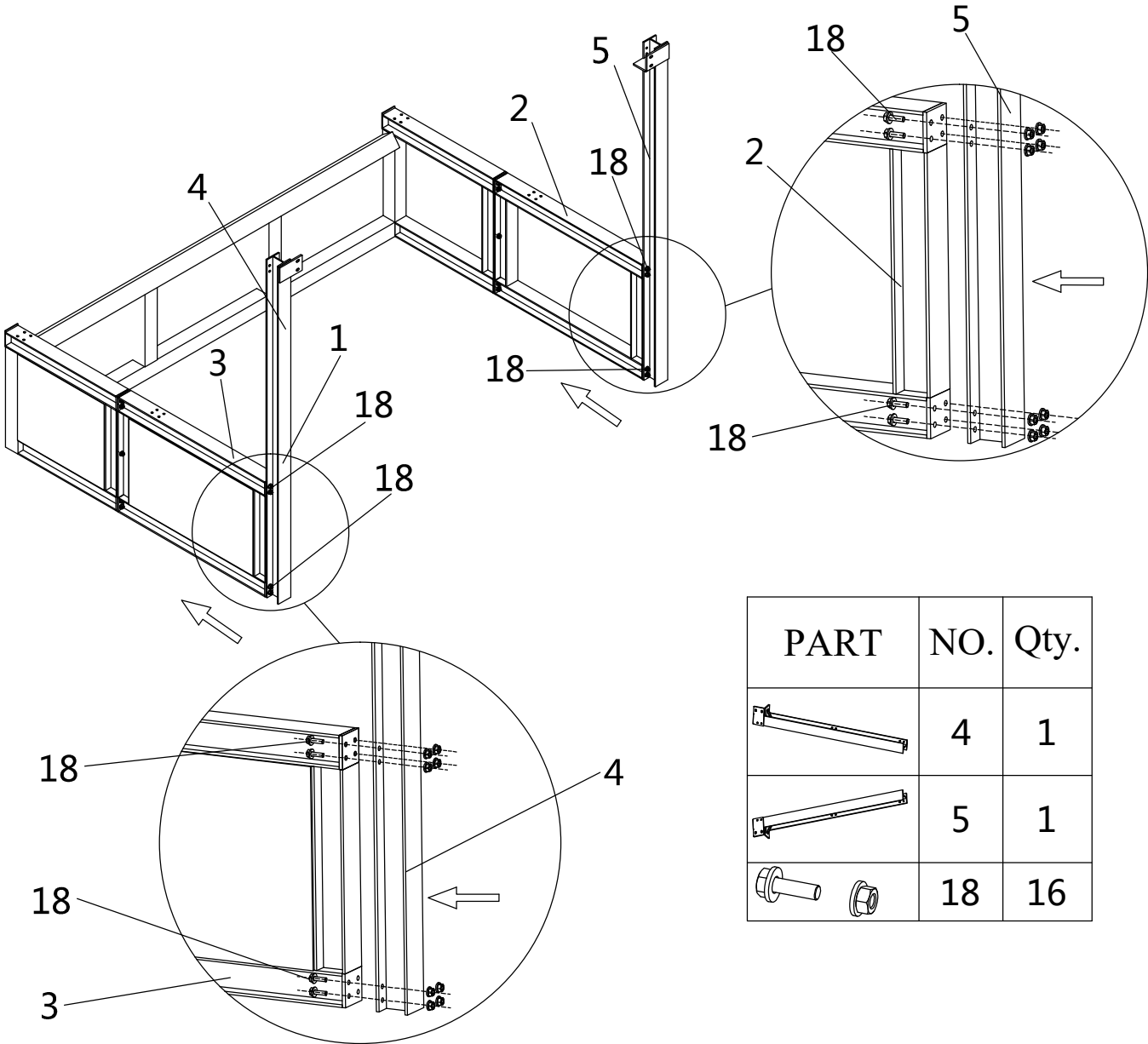
Note: Keep all bolts from Step 1 to 6 loose, do not tight firmed yet.

Step 1:



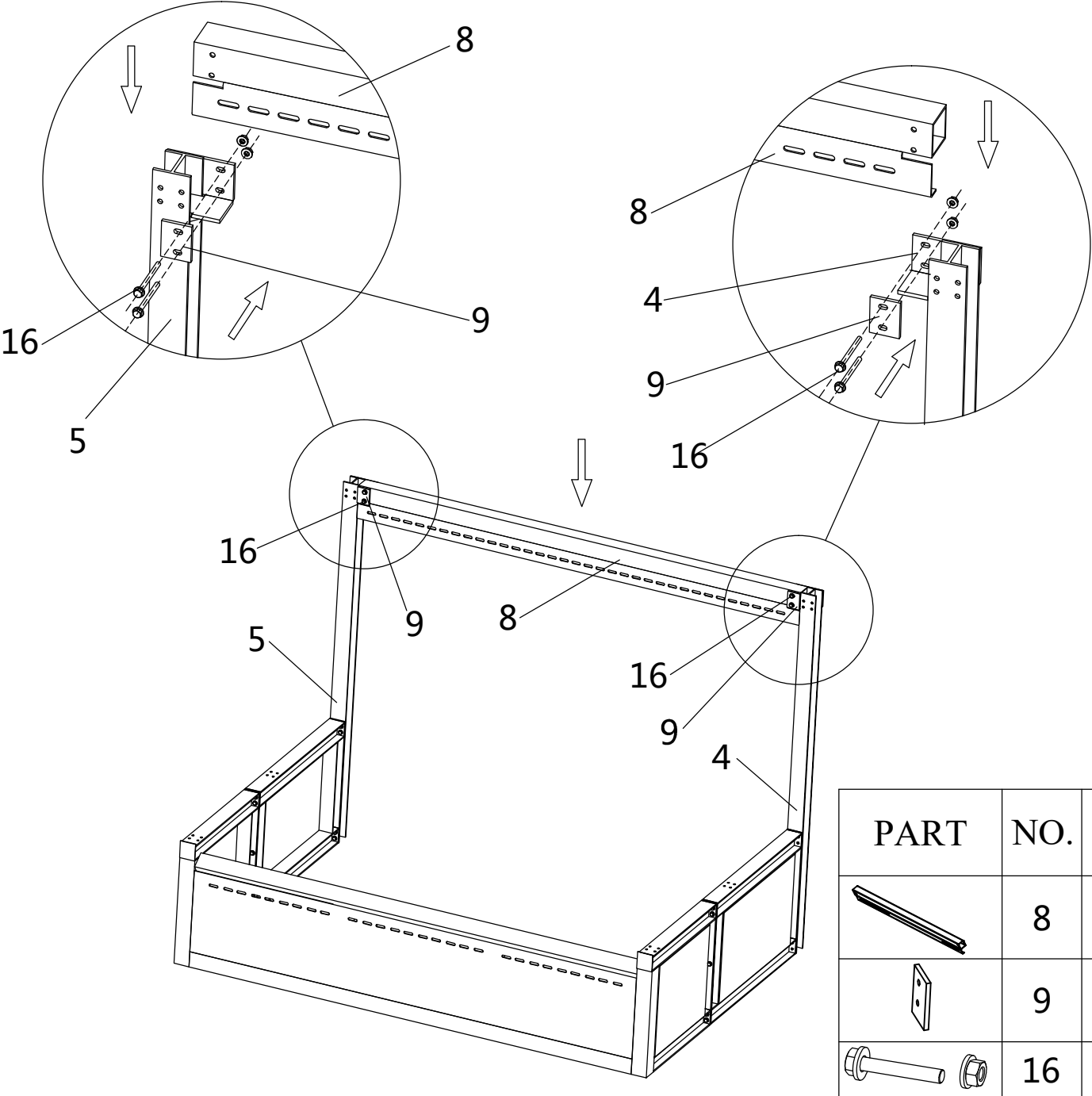
PART	NO.	Qty.
	1	1
	2	1
	3	1
	18	20




Step 2:



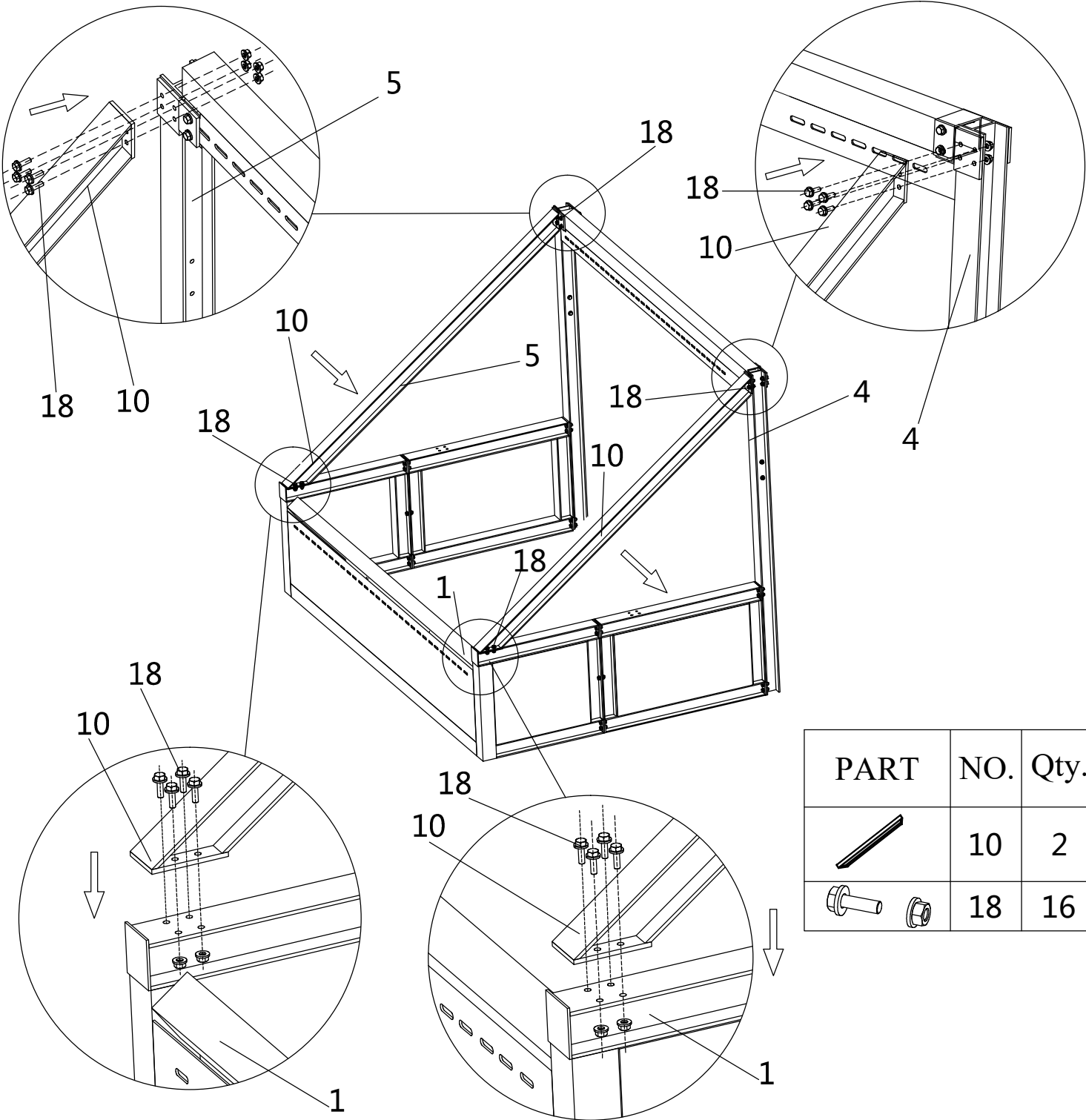
PART	NO.	Qty.
	4	1
	5	1
	18	16

Step 3:



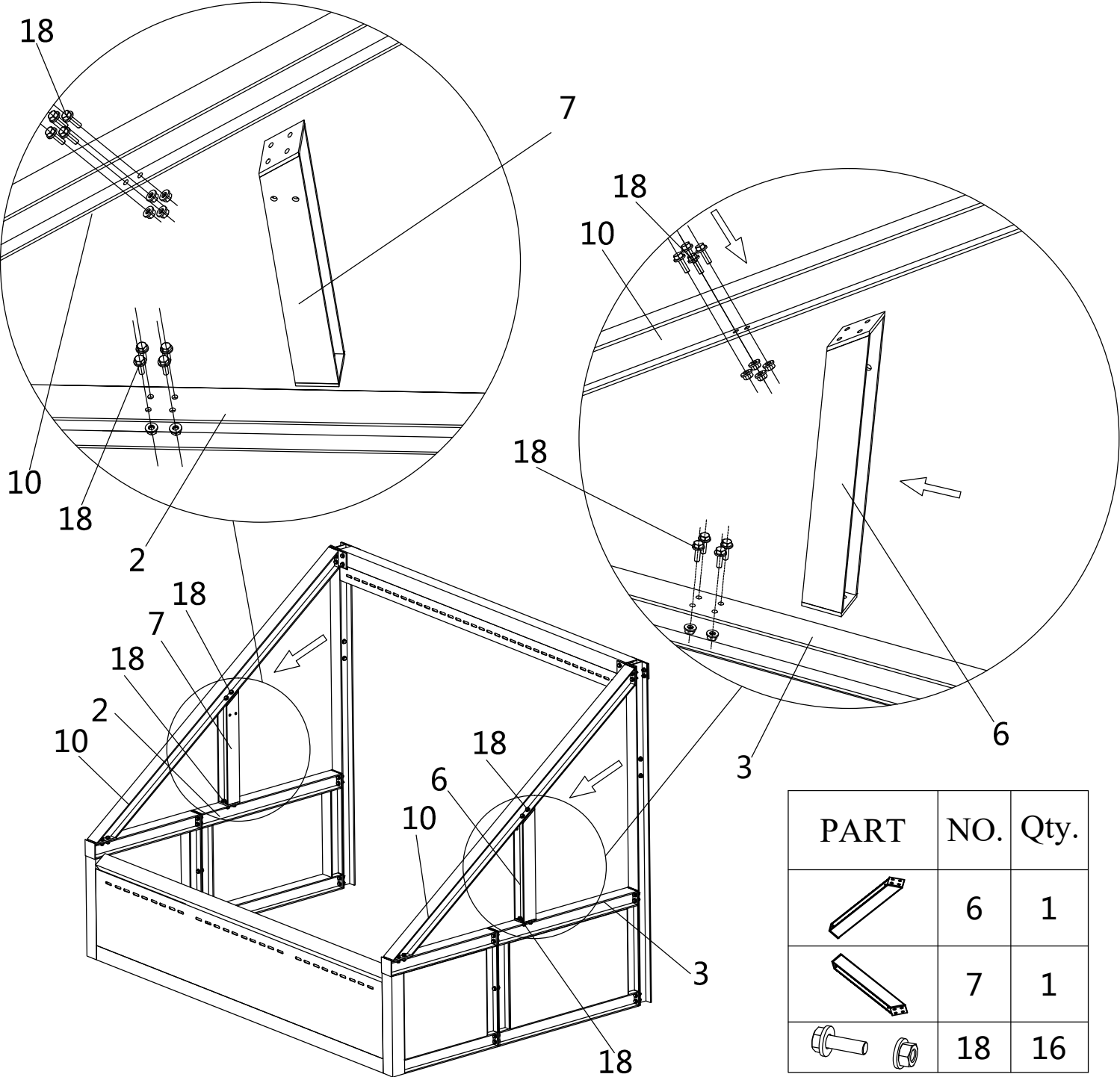
PART	NO.	Qty.
	8	1
	9	2
	16	4

Step 4:



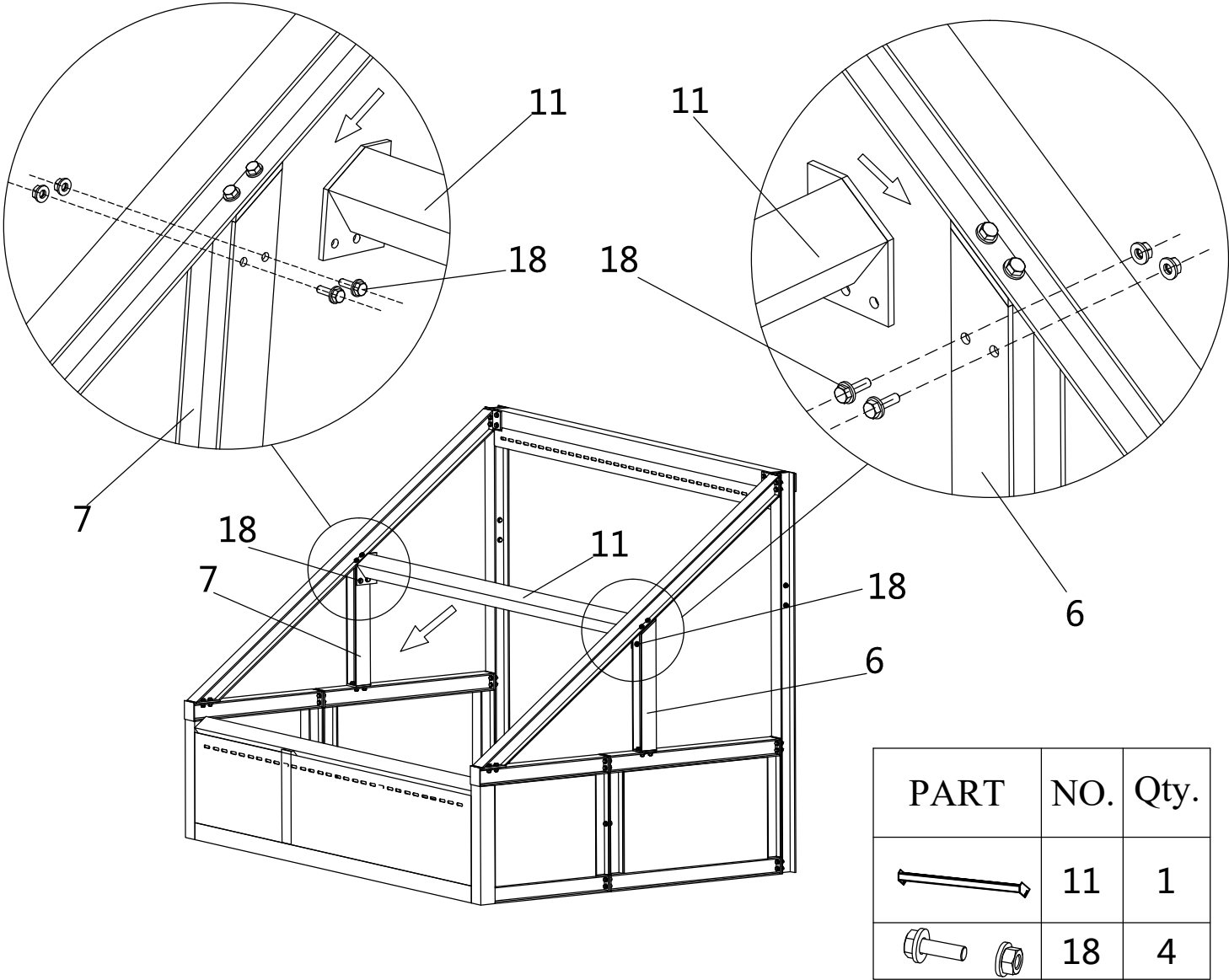
PART	NO.	Qty.
	10	2
	18	16



Step 5:



PART	NO.	Qty.
	6	1
	7	1
	18	16

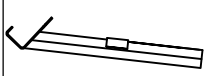


Step 6:

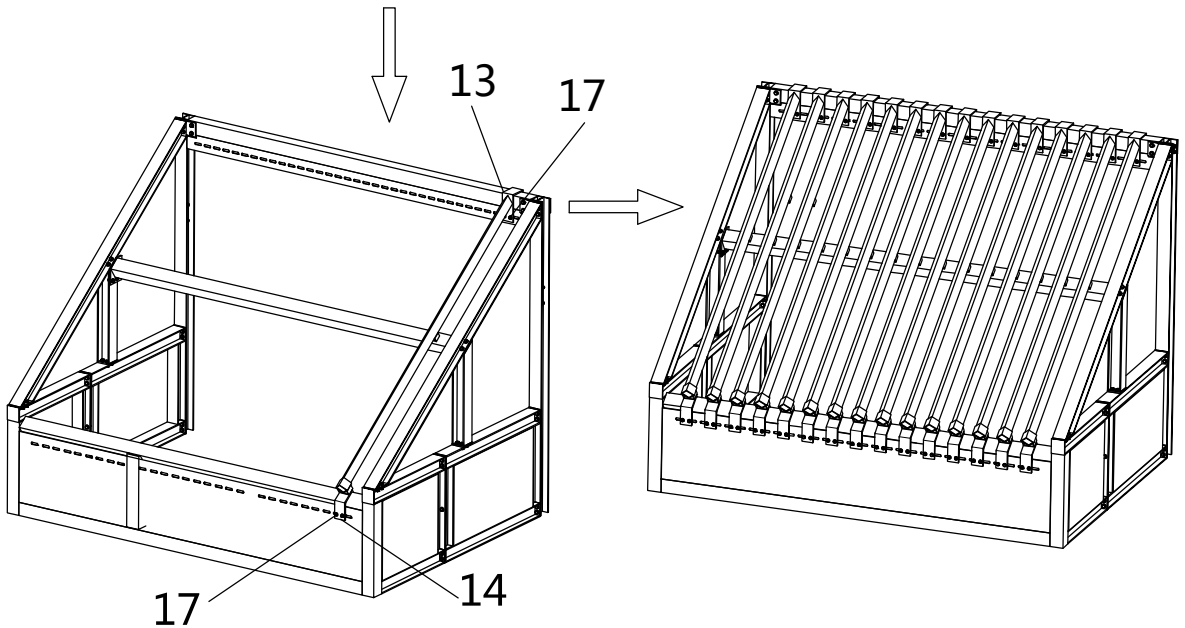
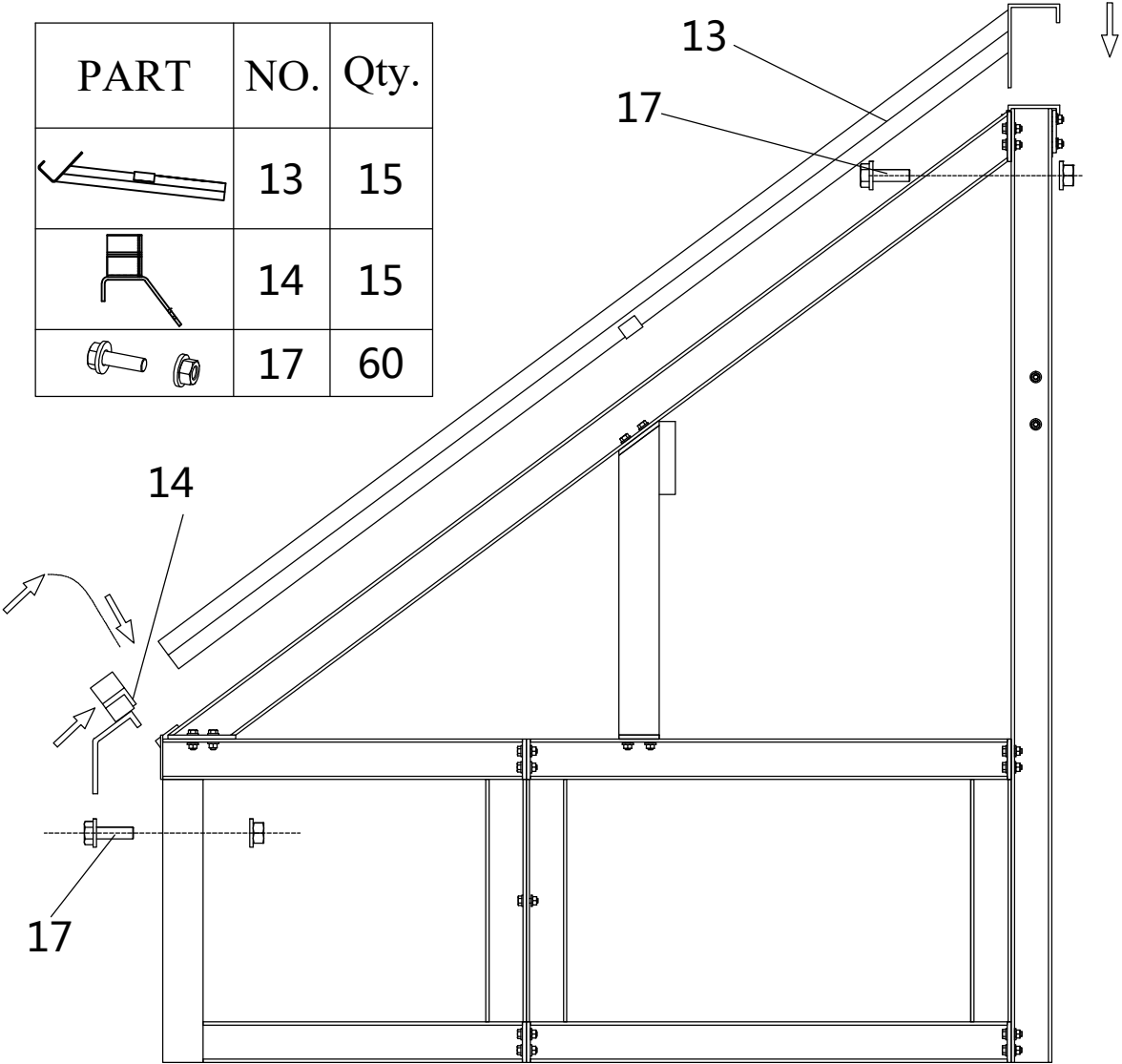


PART	NO.	Qty.
	11	1
	18	4

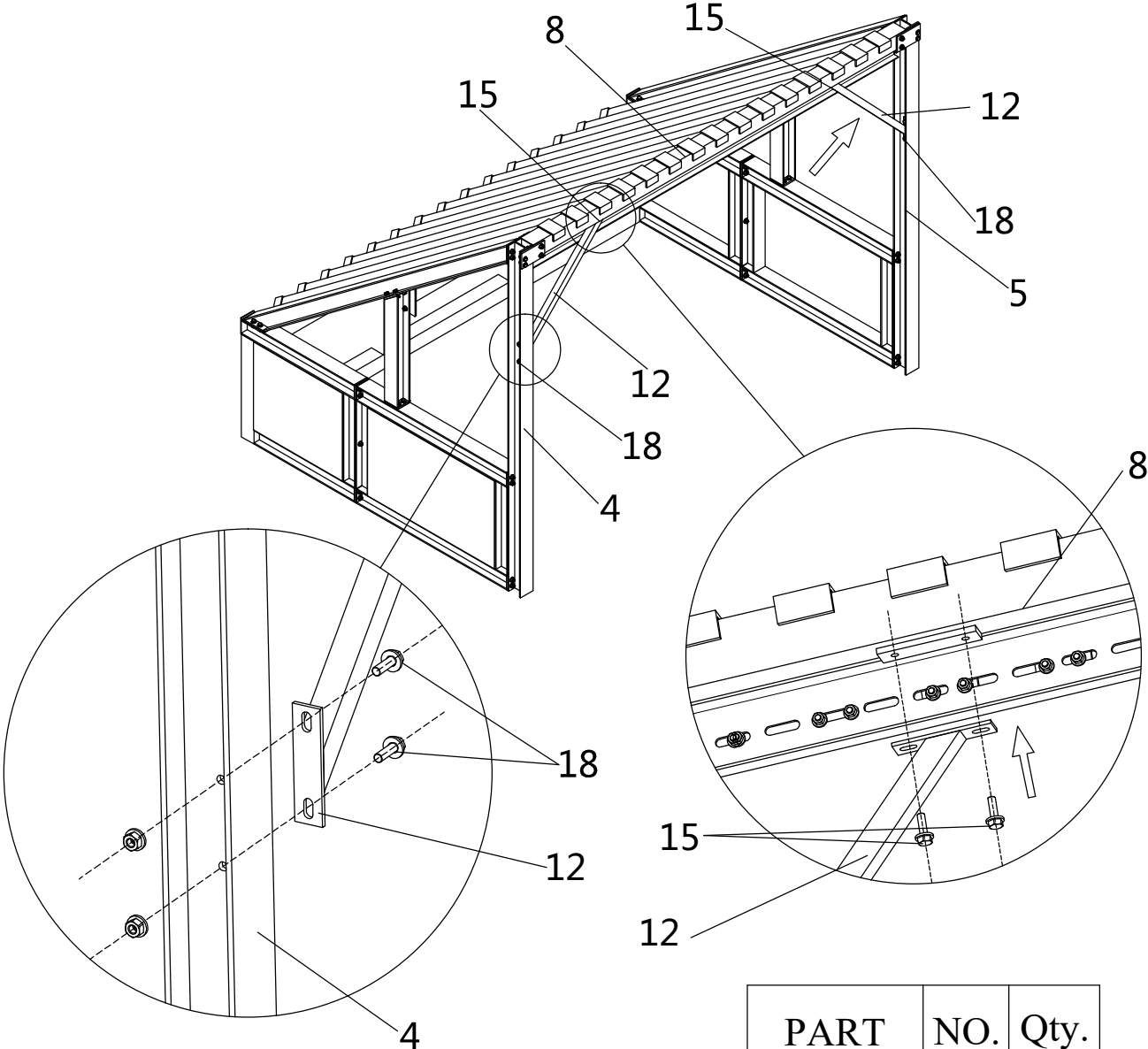
Note: Please tight all bolts firmly at this step before starting Step 7.


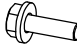

Step 7:

PART	NO.	Qty.
	13	15
	14	15
	17	60



Step 8:



PART	NO.	Qty.
	12	2
	15	4
	18	4