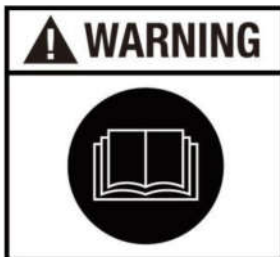
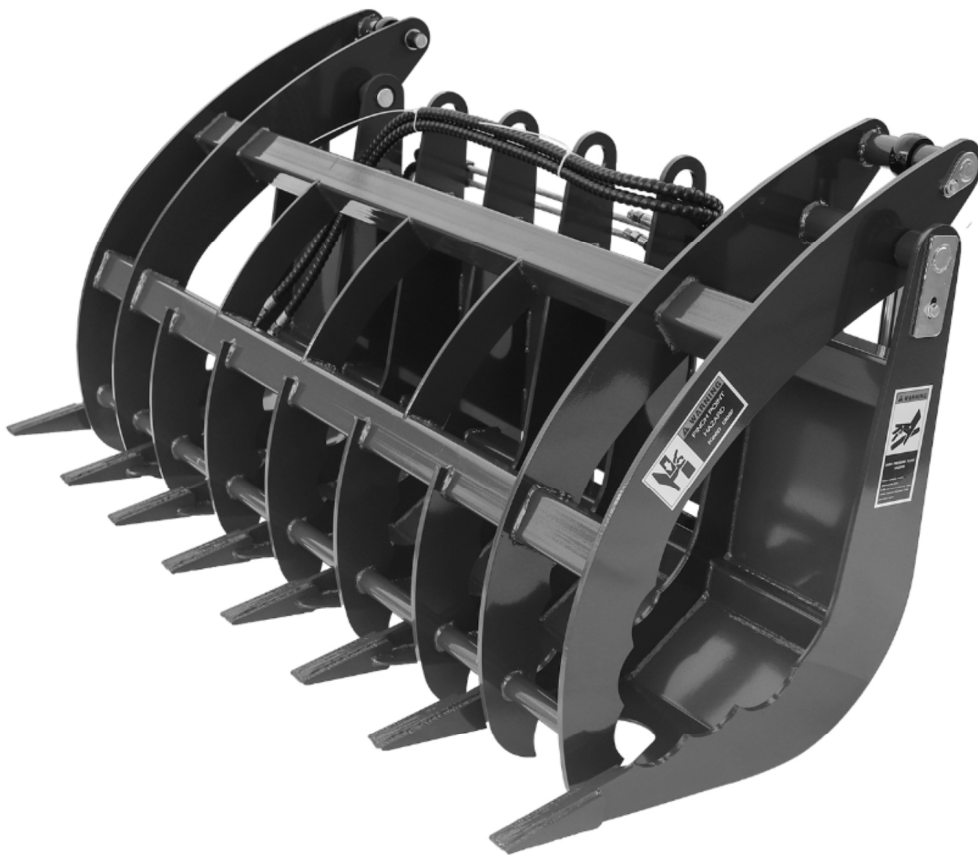


# 72" Root Rake Grapple

Model:TMG-RG72



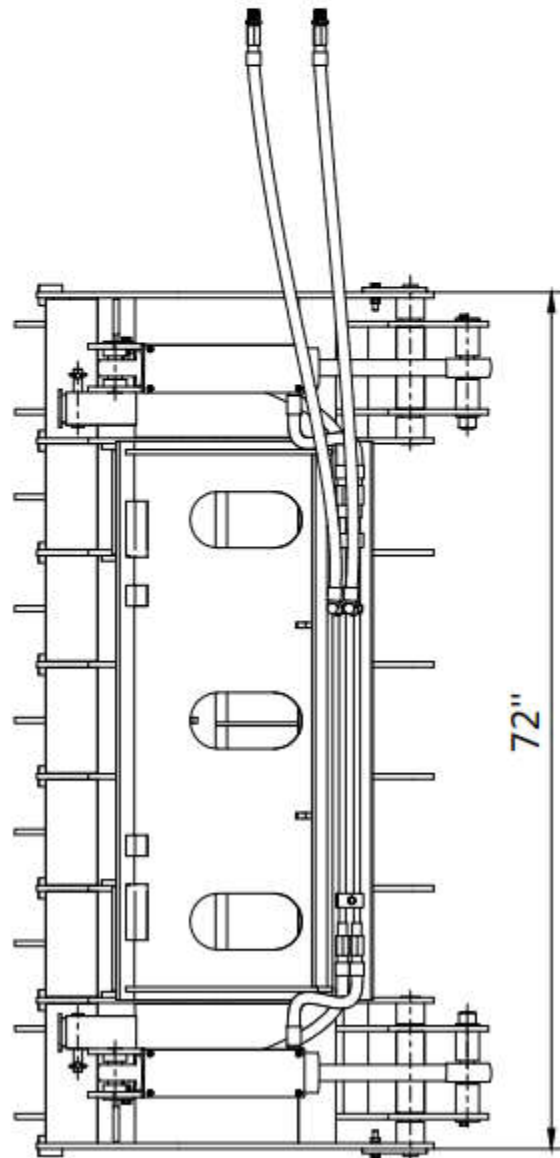
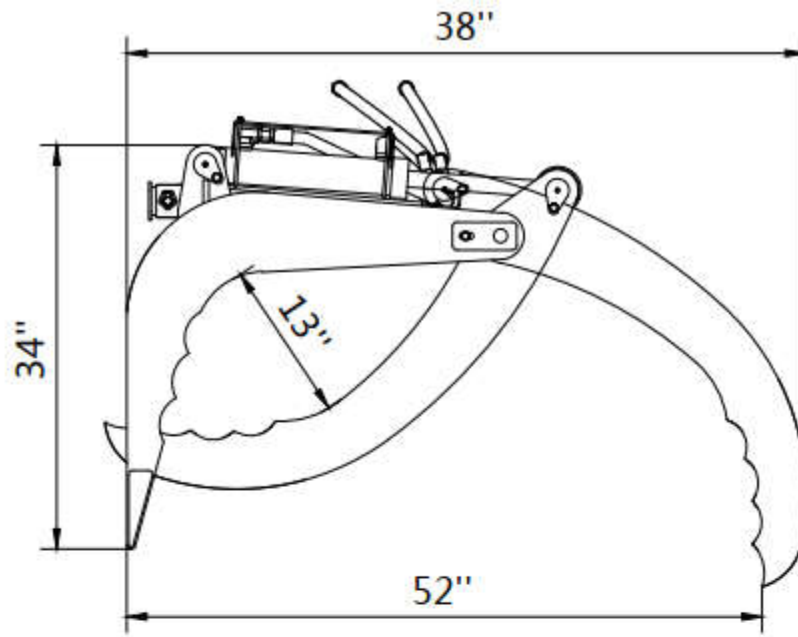
- Please read the product manual completely before assembly
- Check against the parts list to make sure all parts are received
- Wear proper safety goggles or other protective gears while in assembly

Missing parts or questions on assembly?

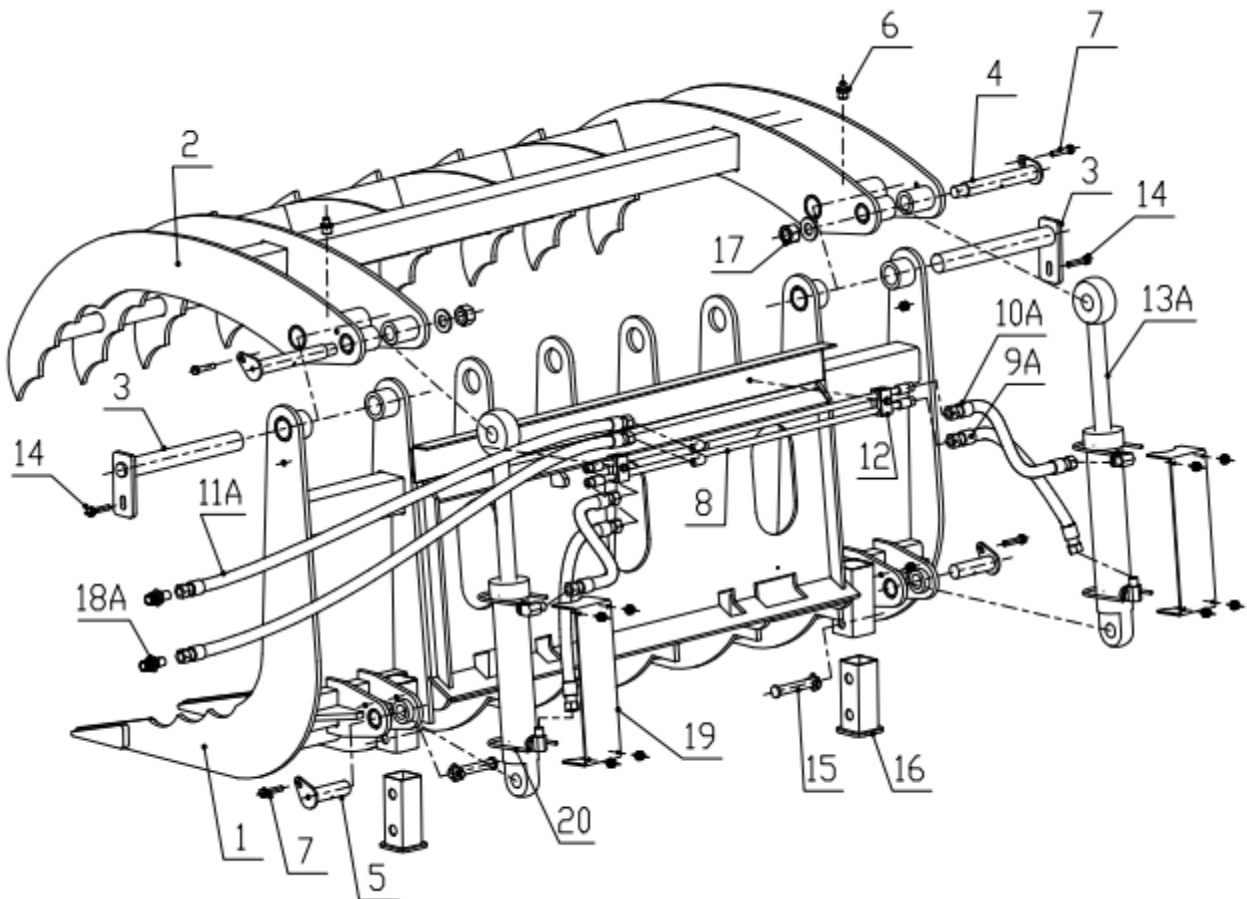
Please call: 1-877-761-2819 or email: [cs@tmgindustrial.com](mailto:cs@tmgindustrial.com)

Do not return the product to dealer, they are not equipped to handle your requests

# Structure diagram



# Exploded view



Parts	Item	Description	Specification	Qty
1	CZJ-01-00	Lower Rake	72"	1
2	CZJ-02-00	Upper Rake	72"	1
3	CZJ-03	Pin1	φ 40x335mm	2
4	CZJ-04	Pin2	φ 30x235mm	2
5	CZJ-05	Pin3	φ 30x110mm	2
6	M10	Butter mouth	M10	2
7	CZJ-07	Bolt	M10x20mm	4
8	CZJ-08	Metal Hydraulic Tube	φ 14x960mm	2
9A	CZJ-09	Hose	0.6m, M18x1.5	2
10A	CZJ-10	Hose	0.3m, M18x1.5	2
11A	CZJ-11	Hose	1.7m, M18x1.5	2
12	CZJ-12	Hose Clamp	φ 14	2
13A	CZJ-13	Hydraulic Cylinder	63/250	2
14	CZJ-14	Bolt	M10x20mm	2
15	CZJ-01-22	Pin	φ 18x125mm	2
16	CZJ-01-21	Support square tube		2
17	CZJ-15	Hollow screw	M18x1.5	2
18A	CZJ-16	Adapter	NPT-1/2, M18x1.5	2
19	CZJ-17	Guard plate		2
20	CZJ-18	U-bolt	M6x76x145	4