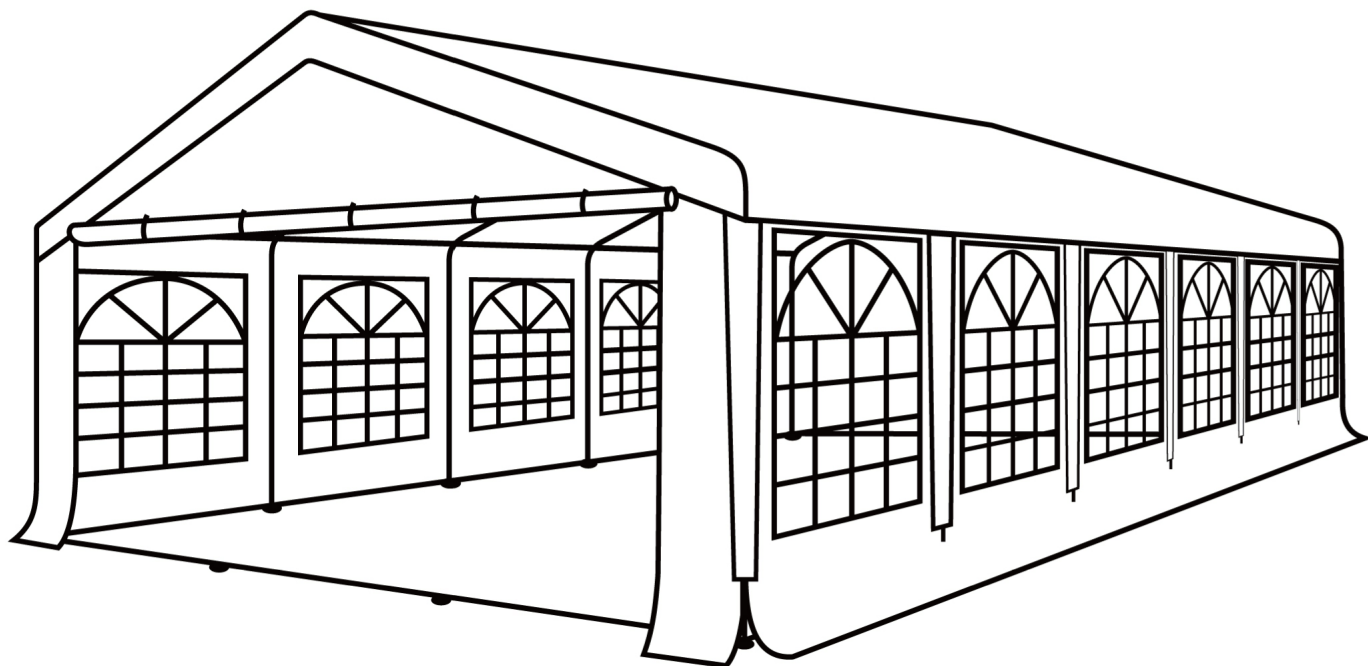


# 20' X 40' FULLY ENCLOSED PARTY TENT



## ⚠ WARNING



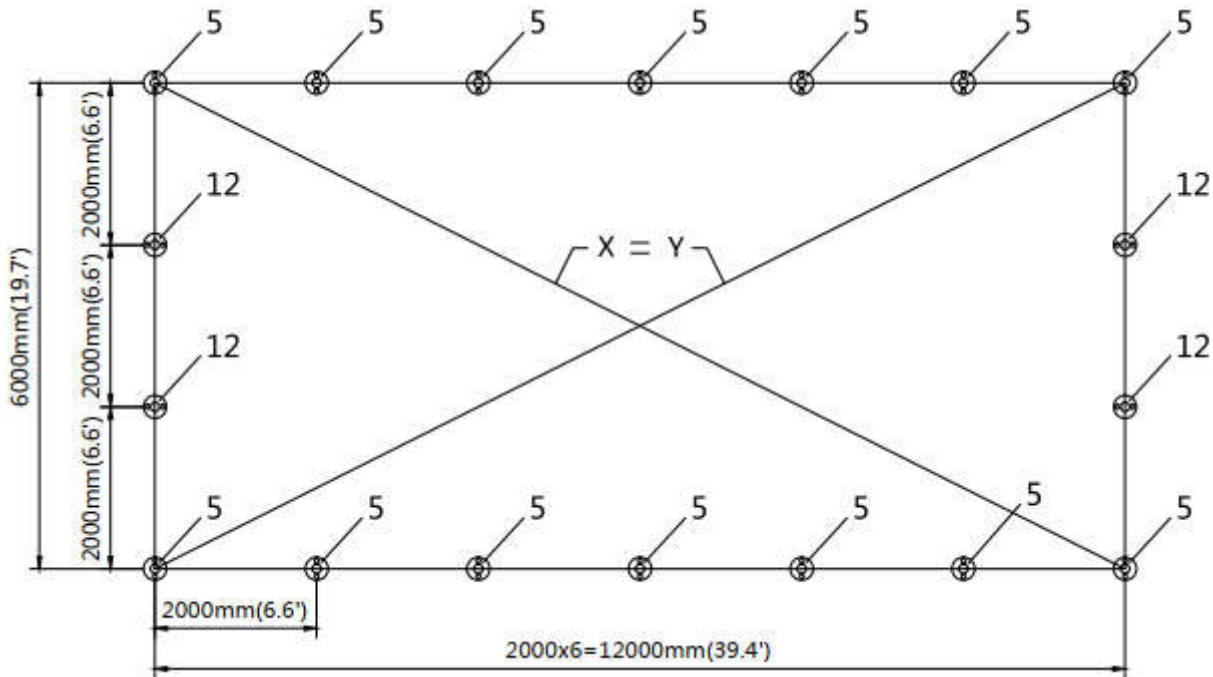
- Please read and understand the product manual completely before assembly
- Check against the parts list to make sure all parts are received
- Wear proper safety goggles or other protective gears while in assembly
- Do not return the product to dealer. They are not equipped to handle your requests.

Missing parts or have questions on assembly?

Please call: 1-877-761-2819 or email: [cs@tmgindustrial.com](mailto:cs@tmgindustrial.com)

**MAIN SPECIFICATIONS :**

- Assembly size : W6 x L12 x H3.1 (m) / 19.7 x 39.4 x10.2 (ft)
- Shoulder wall clearance height : 2 m / 6.6 ft



**PRIOR TO ASSEMBLY**

Please read the instructions carefully before installation. It is important to follow your local safety regulations and industry standards during installation. Regulations may include but are not limited to :

- Safety helmets, protective eyewear, and clothing
- Safety harnesses for all elevated workers
- Proper ladder, cage, and safety operation

Check all components and parts before installation. All parts are marked with a part number, please refer to the parts list to make sure you have all parts.

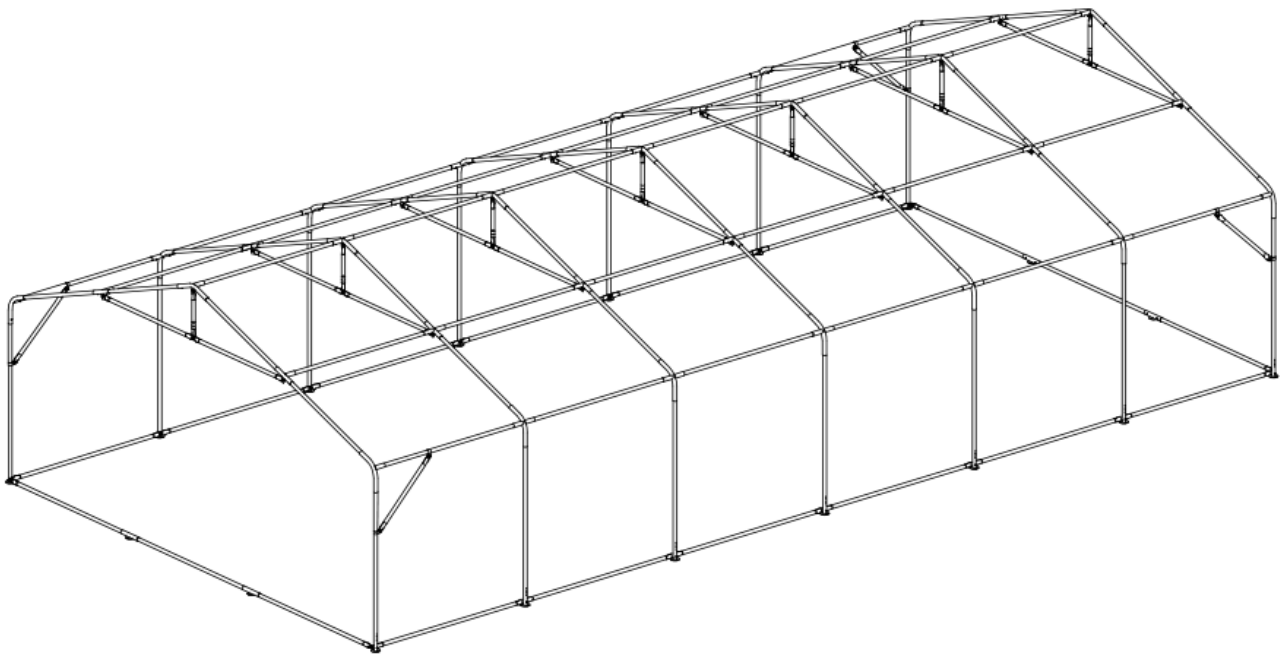
Choose a day with low or no wind to install, assembly is hard in heavy wind. Do not make any alterations to the structure. Do not hang any weights on the frame during installation, including parts. We are not responsible for any damages or injuries caused by inappropriate installation, unauthorized modifications or extreme weather.

This building is not intended for human occupancy.

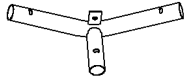
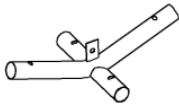
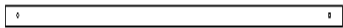
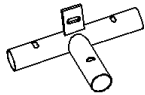
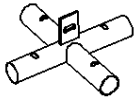

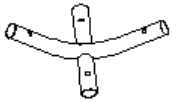
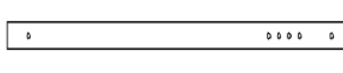

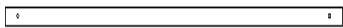
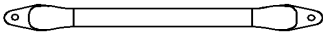
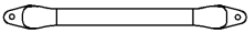
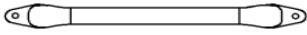
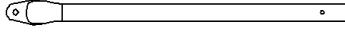
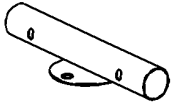

Choose a solid flat level ground area to set up the building. Do not install the building on soft ground, wetland, uneven surfaces, sloped surfaces, or on top of structures that are not rated to hold its weight.





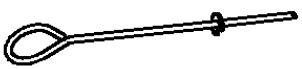
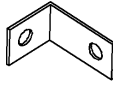
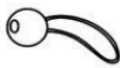
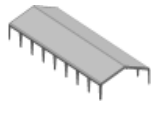
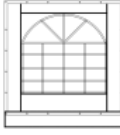
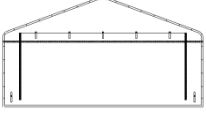


Be aware of the surrounding area. Do not set up the building near snowdrifts, open flames or exposed electrical wires. Do not keep heat sources near the fabric cover. Keep the building surroundings clear at all times.

**FRAME STRUCTURE DIAGRAM.**

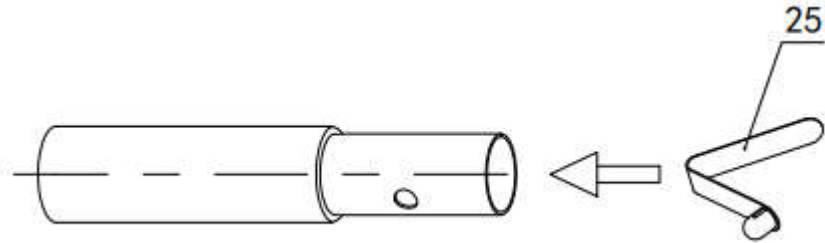



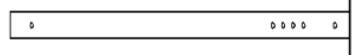
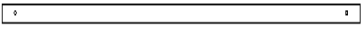


**TMG-PT2040F-1.0 PART LIST**

<b>PARTS CODE</b>	<b>GRAPHICAL</b>	<b>DESCRIPTION</b>	<b>LENGTH</b>	<b>QTY</b>
1		Peak arch tube	L480mm	2
1A		Peak arch tube	L480mm	5
2		Rafter tube	L1421mm	28
3		Rafter connection pipe	L262mm	4
3A		Rafter connection pipe	L276mm	10
4		Shoulder tube	L445mm	4
4A		Shoulder tube	L445mm	10
5		Column tube	L1877mm	14
6		Lower cross tube	L2030mm	12
7		Roof purlin	L1930mm	32
8		Ceiling cross bar	L1520mm	14
9		Center vertical supporting rod	L577mm	7
10		Diagonal bracing bar	L960mm	4
11		Lower cross tube	L1930mm	4
12		connector tube	L262mm	4
13		Tube clamp	( $\phi$ 42)	8

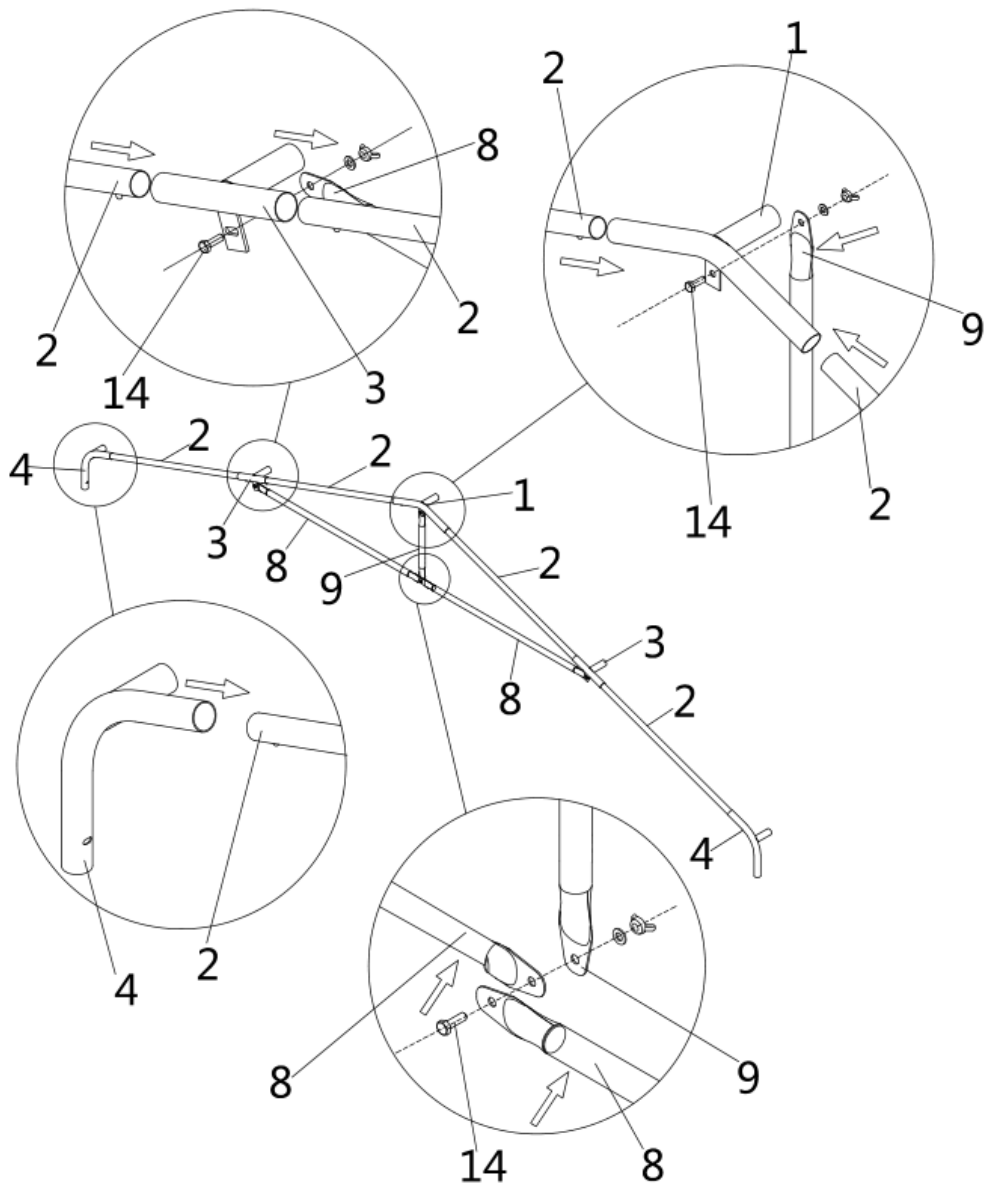
14		Hex bolt and nuts	M10x30	40
15		Hex bolt and nuts	M6x60	14
16		Ground pegs	L180mm	36
17		Tension hook	L45mm	14
18		Ground pegs	L305mm	4
19		Connecting piece	L65mm	4
20		Ball rope	L150mm	390
21		Roof cover	L12m	1
22		Side cover	W1980xL2115mm	12
23		Front and rear fabric panels	W3280xL5980mm	2
24		Braided rope	L5m	4
25		V-spring buckle	( $\phi$ 8)	138

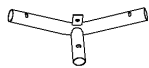
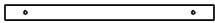
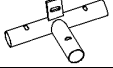

**STEP 1 :INSTALL V-SPRING BUCKLE**



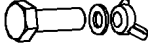


NO.	PART	QTY
2		28
5		14
7		32
11		4
25		138

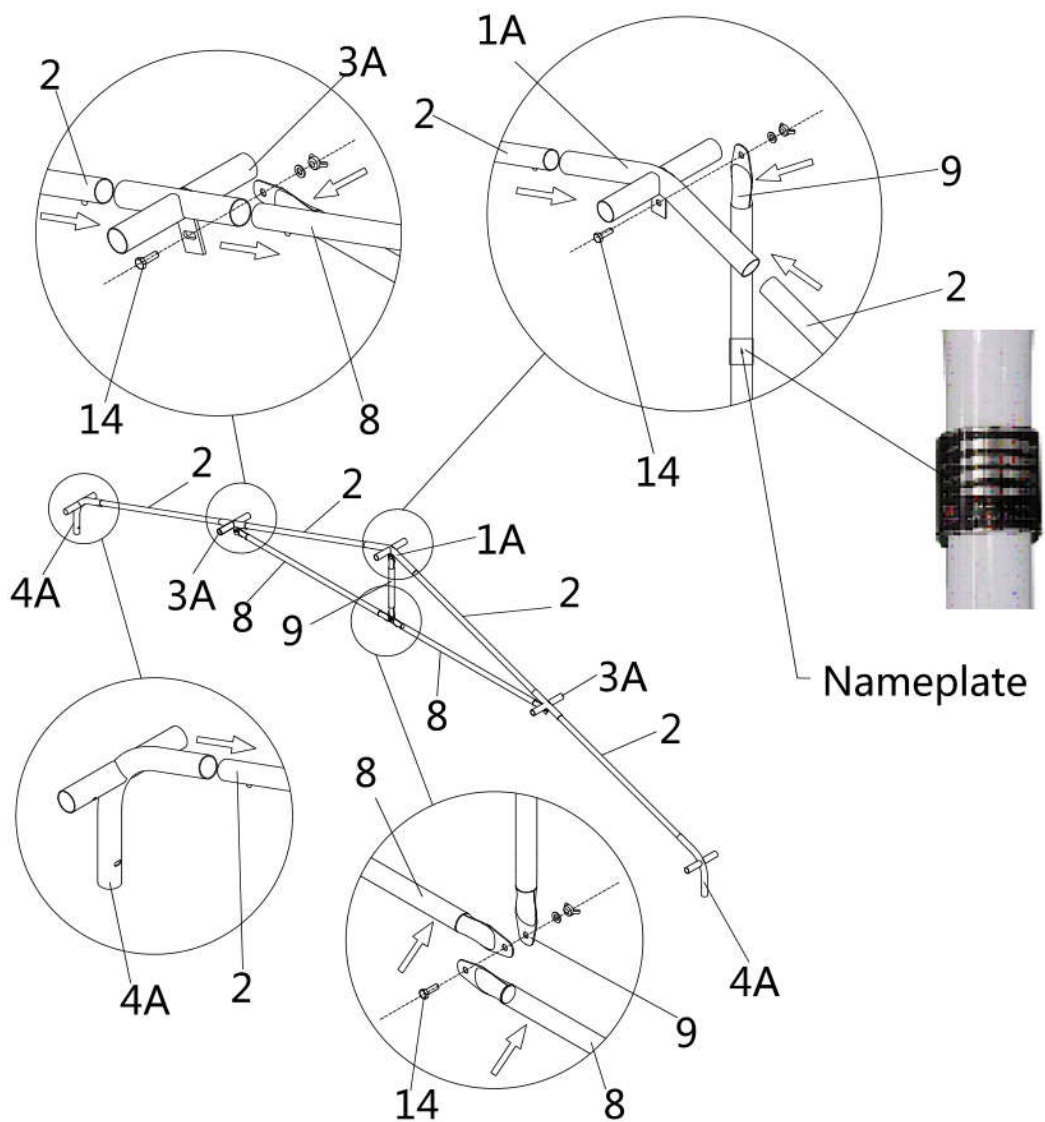
**STEP 2 : ASSEMBLE FRONT AND REAR TRUSSES.**

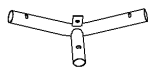

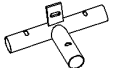





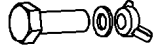
NO.	PART	QTY
1		1×2
2		4×2
3		2×2
4		2×2

NO.	PART	QTY
8		2×2
9		1×2
14		4×2

**STEP 3 : ASSEMBLE MIDDLE TRUSSES.**

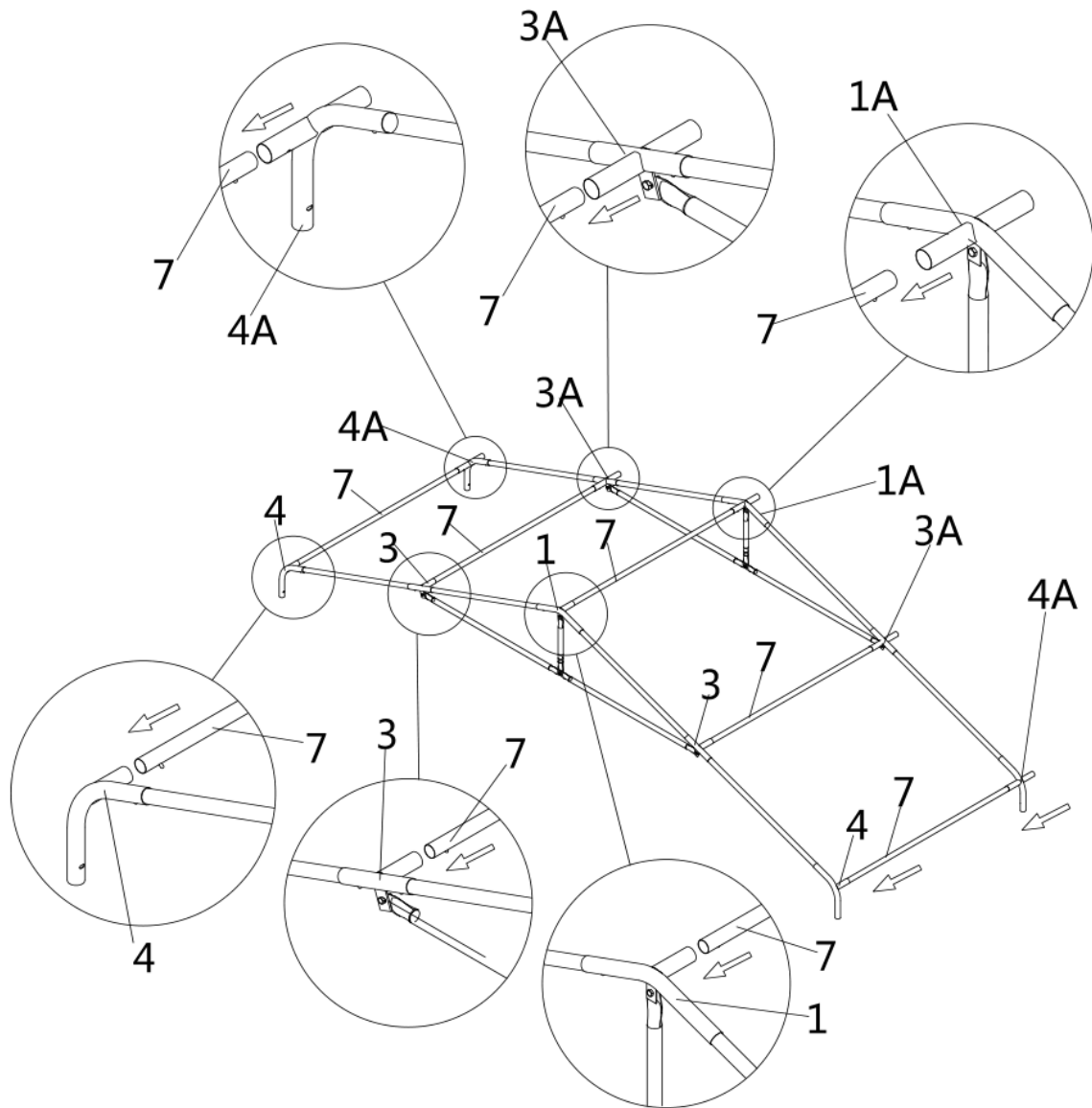


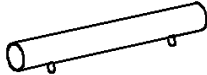
NO.	PART	QTY
1A		1×5
2		4×5
3A		2×5
4A		2×5

NO.	PART	QTY
8		2×5
9		1×5
14		4×5

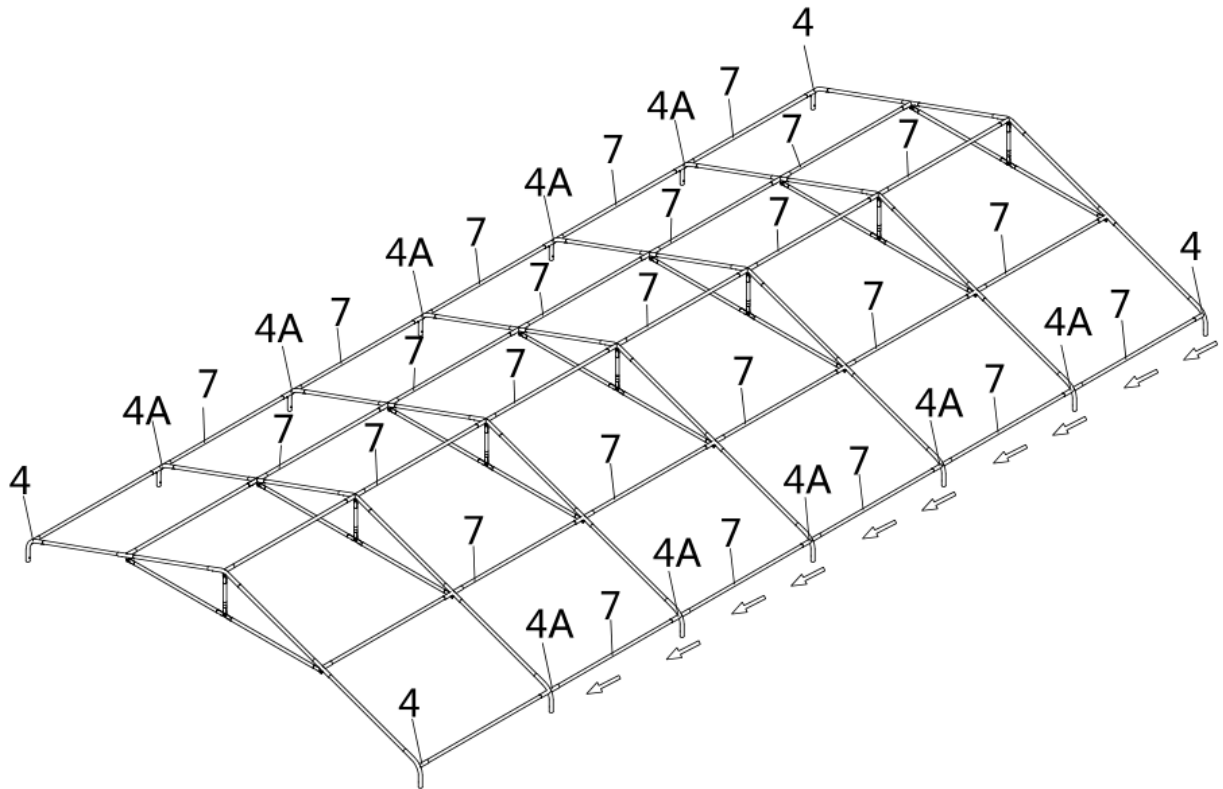


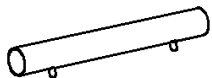
**STEP 4 : CONNECT THE FRONT TRUSS AND THE 2ND TRUSS THROUGH PURLINS ( #7 ).**



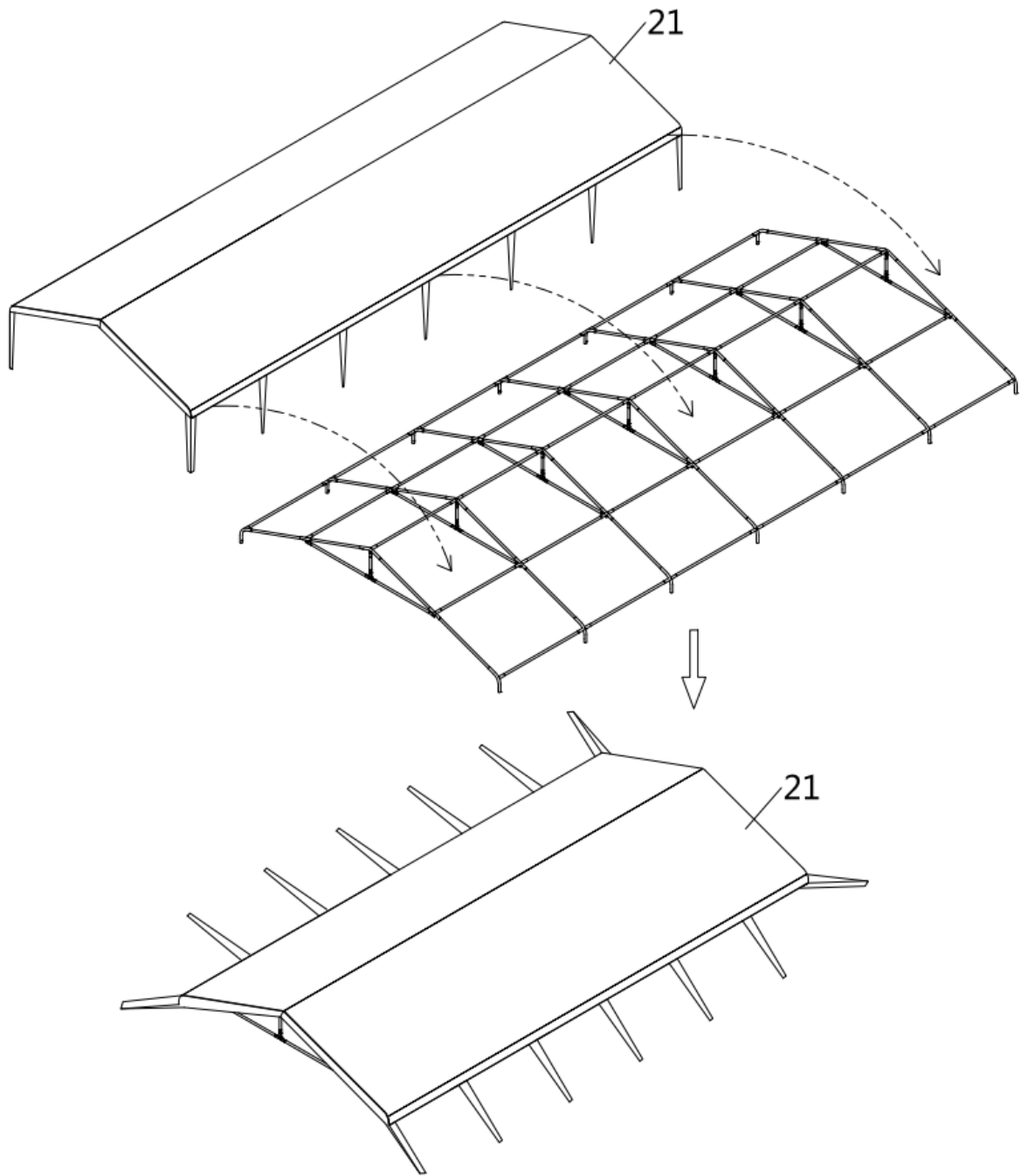
NO.	PART	QTY
7		5

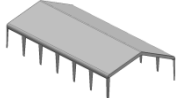
**STEP 5 : REPEAT ABOVE STEP TO PUT UP ALL OTHE TRUSSES (FROM 3RD TO 7TH TRUSS), AND CONNECT ALL PURLINS (#7).**



NO.	PART	QTY
7		25

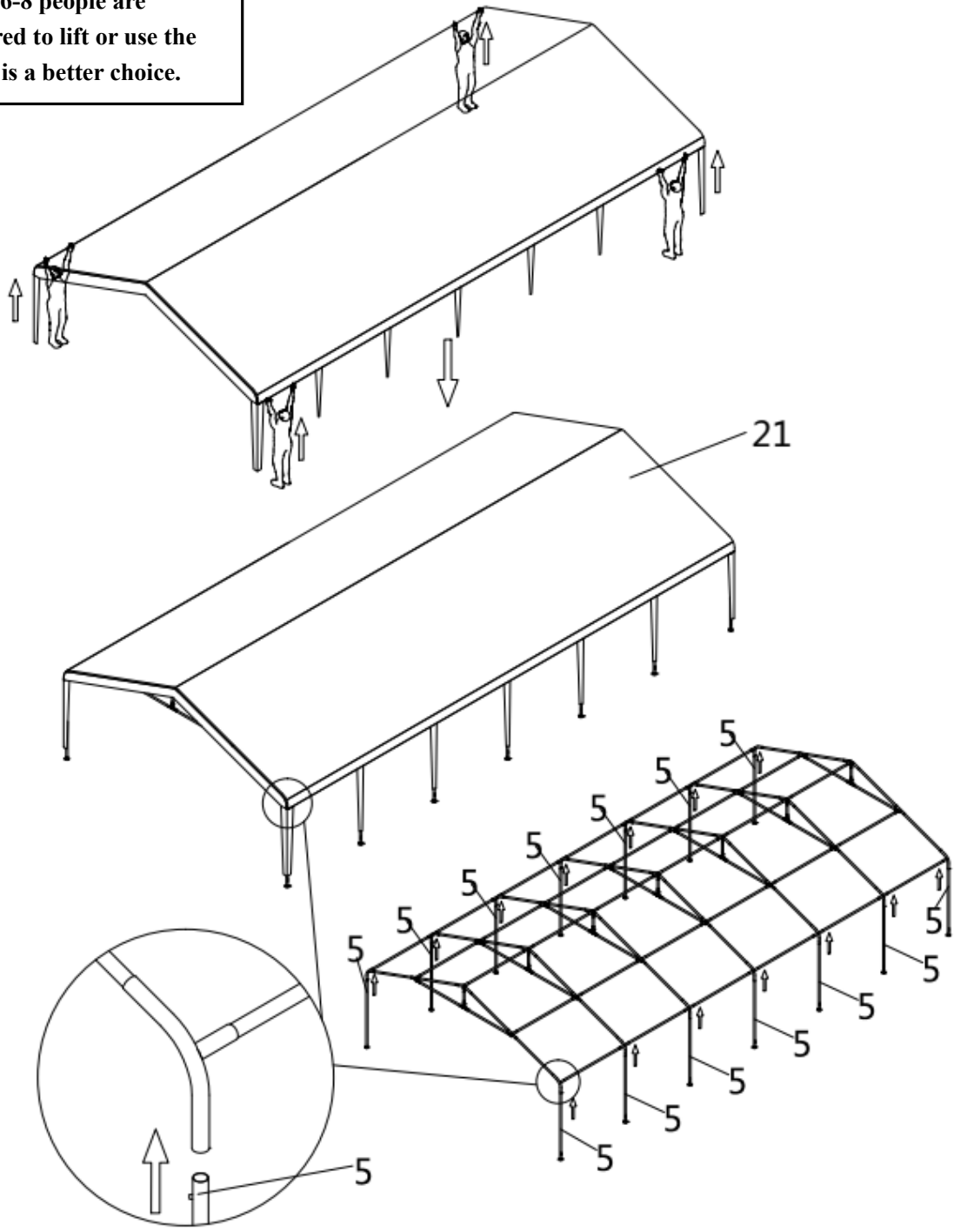
**STEP 6 : INSTALL ROOF COVER ( #21 ).**




NO.	PART	QTY
21		1

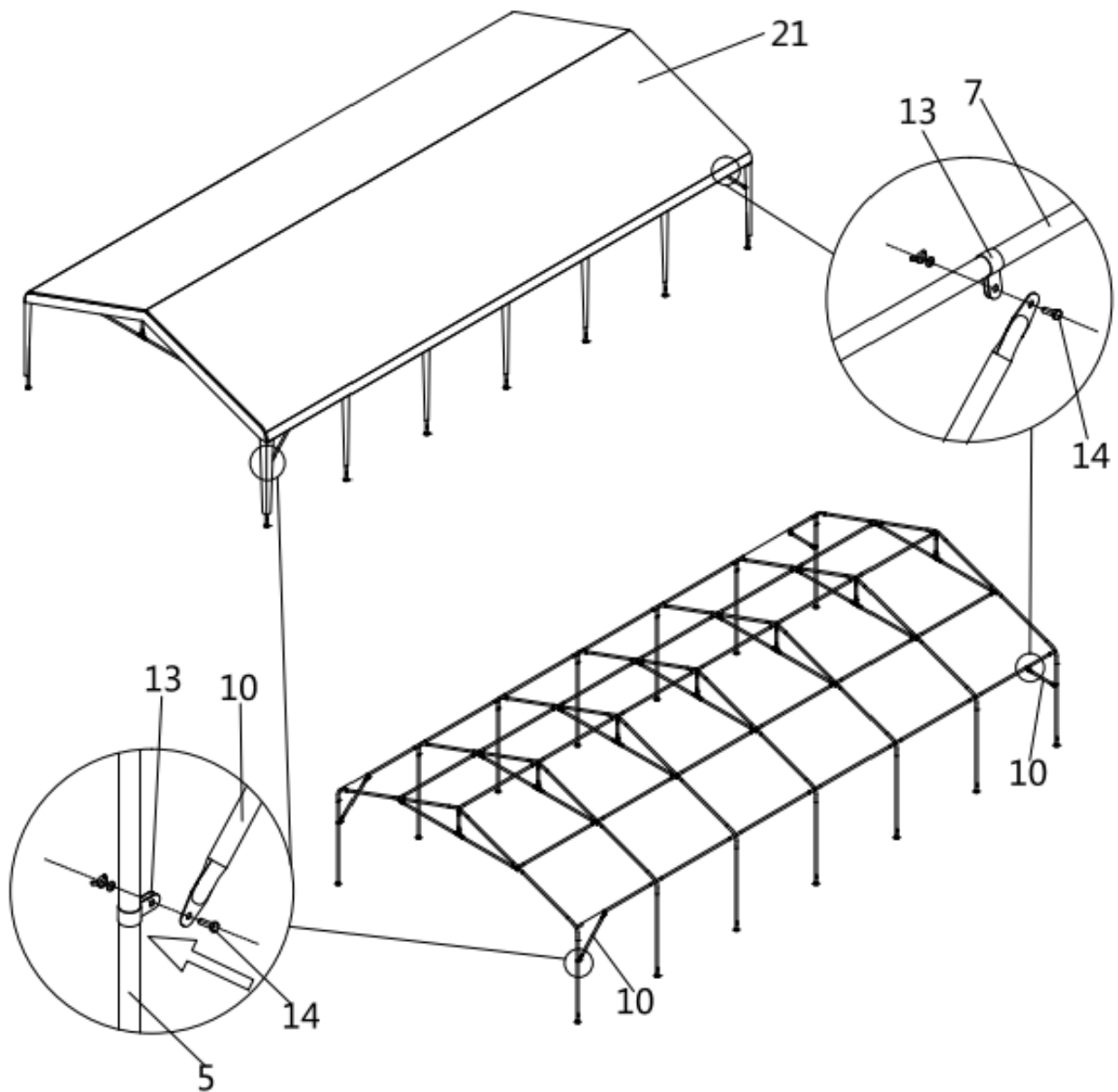
**STEP 7 : ASSEMBLE PART ( #5).**

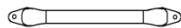

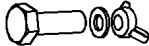
**Note: 6-8 people are required to lift or use the crane is a better choice.**



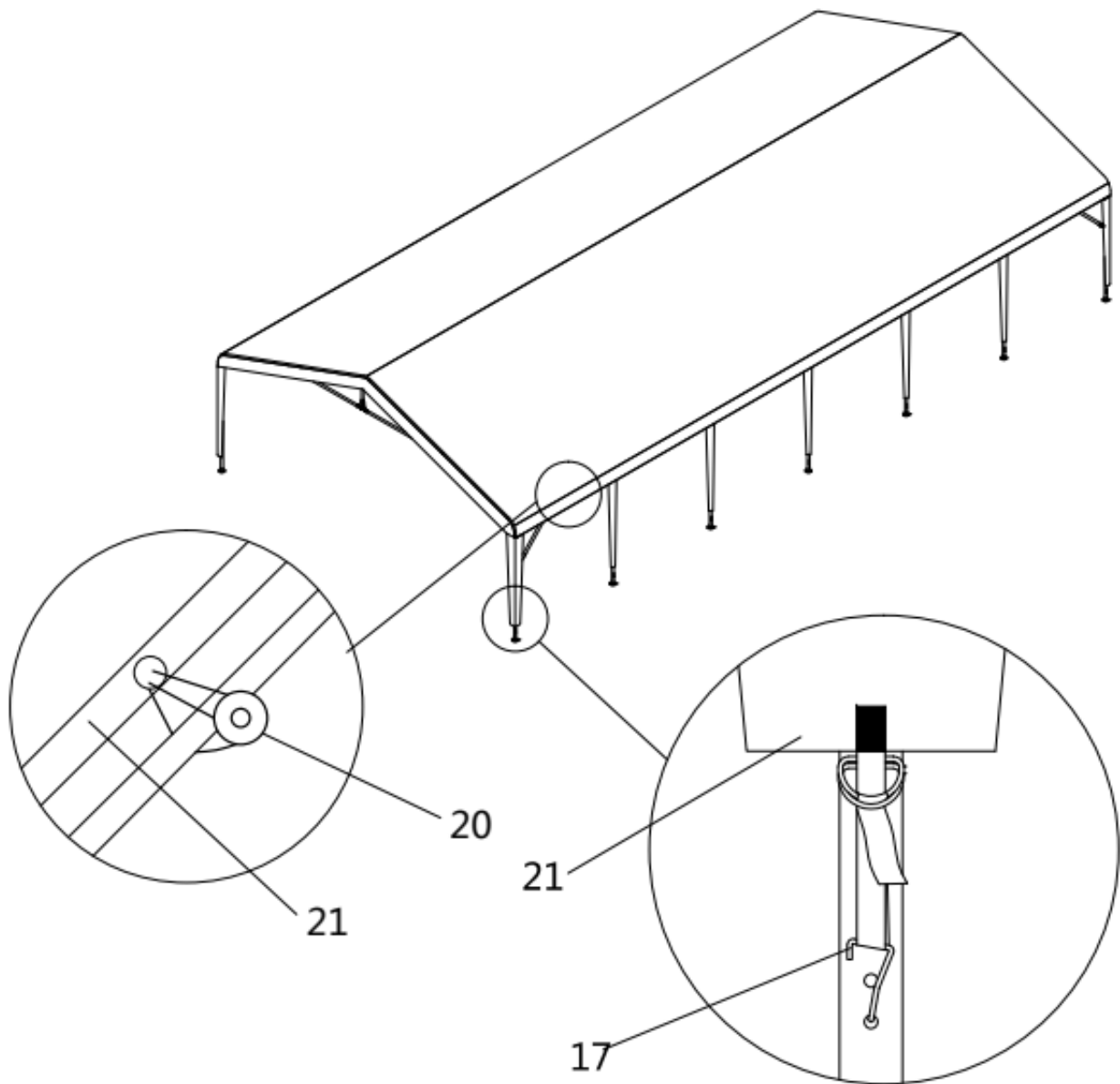
NO.	PART	QTY
5		14



**STEP 8 : INSTALL THE DIAGONAL BRACING BARS (#10).**



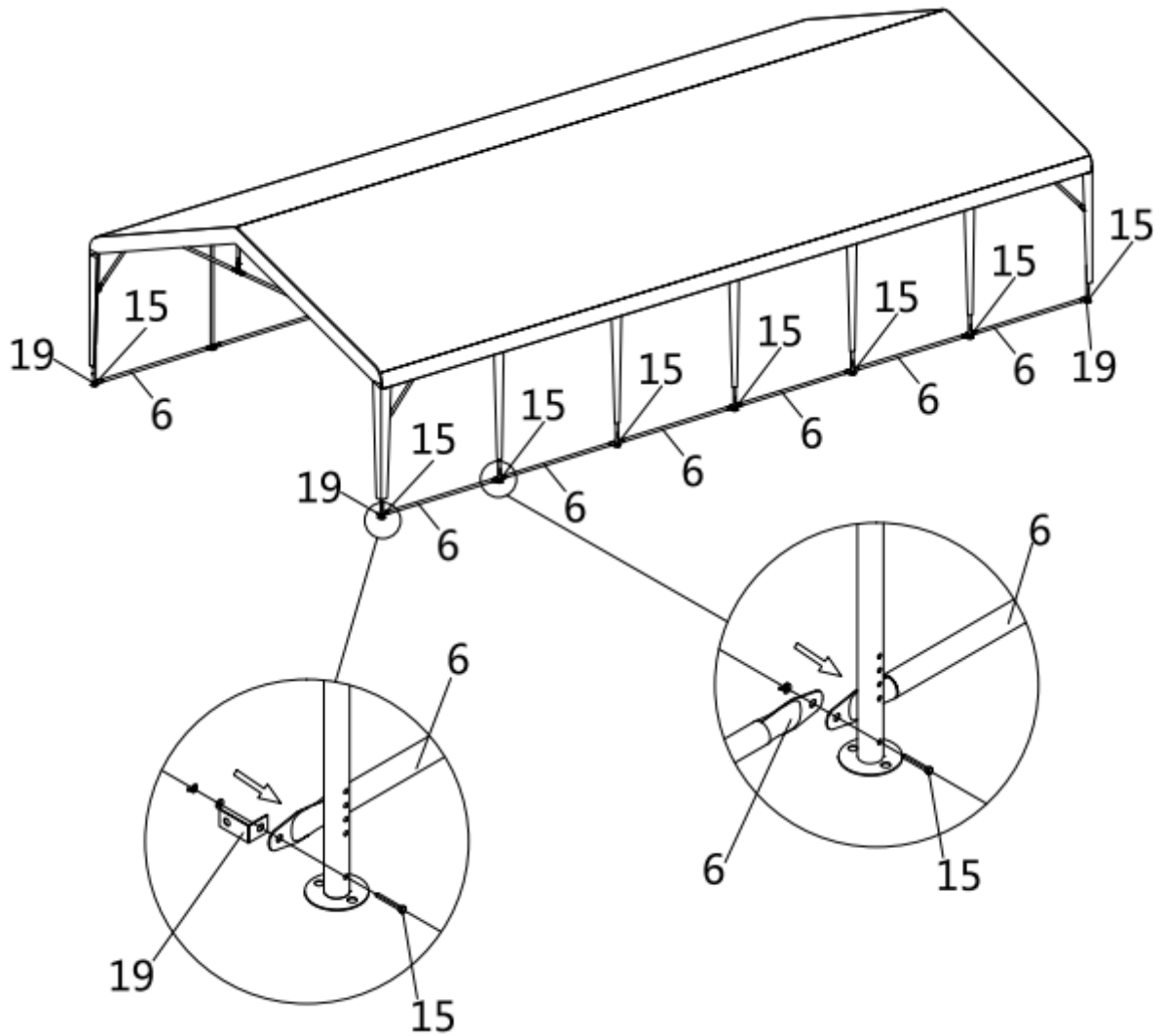
NO.	PART	QTY
10		4
13		8
14		8

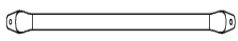
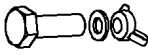
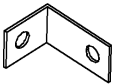
**STEP 9 : TENSION THE ROOF COVER.**



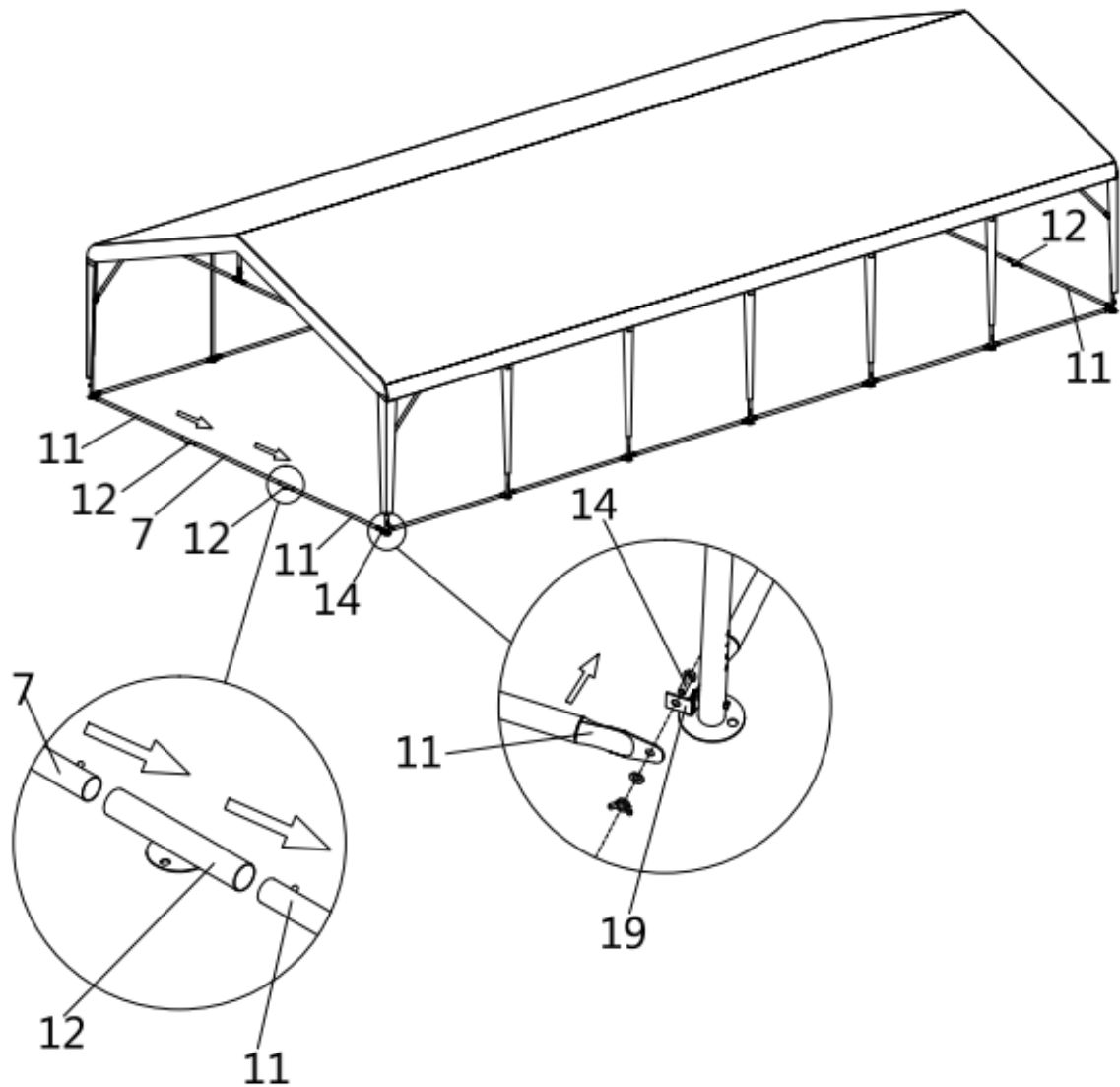
NO.	PART	QTY
17		14
20		100



**STEP 10 : ASSEMBLE PART (#6).**

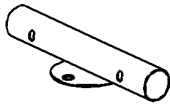
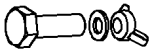


NO.	PART	QTY
6		12
15		14
19		4

**STEP11 : ASSEMBLE PART (#7,#11,#12).**

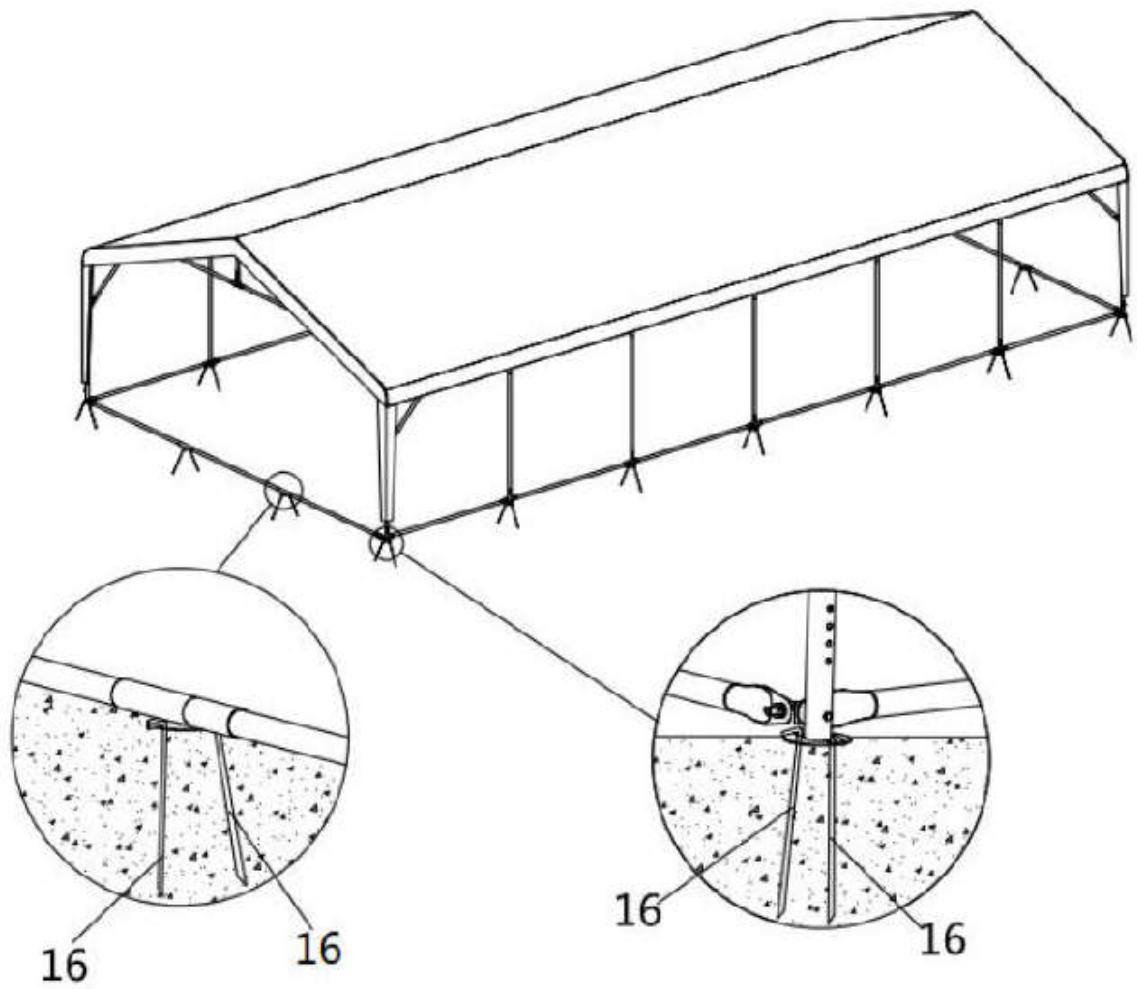



NO.	PART	QTY
7		2
11		4

NO.	PART	QTY
12		4
14		4

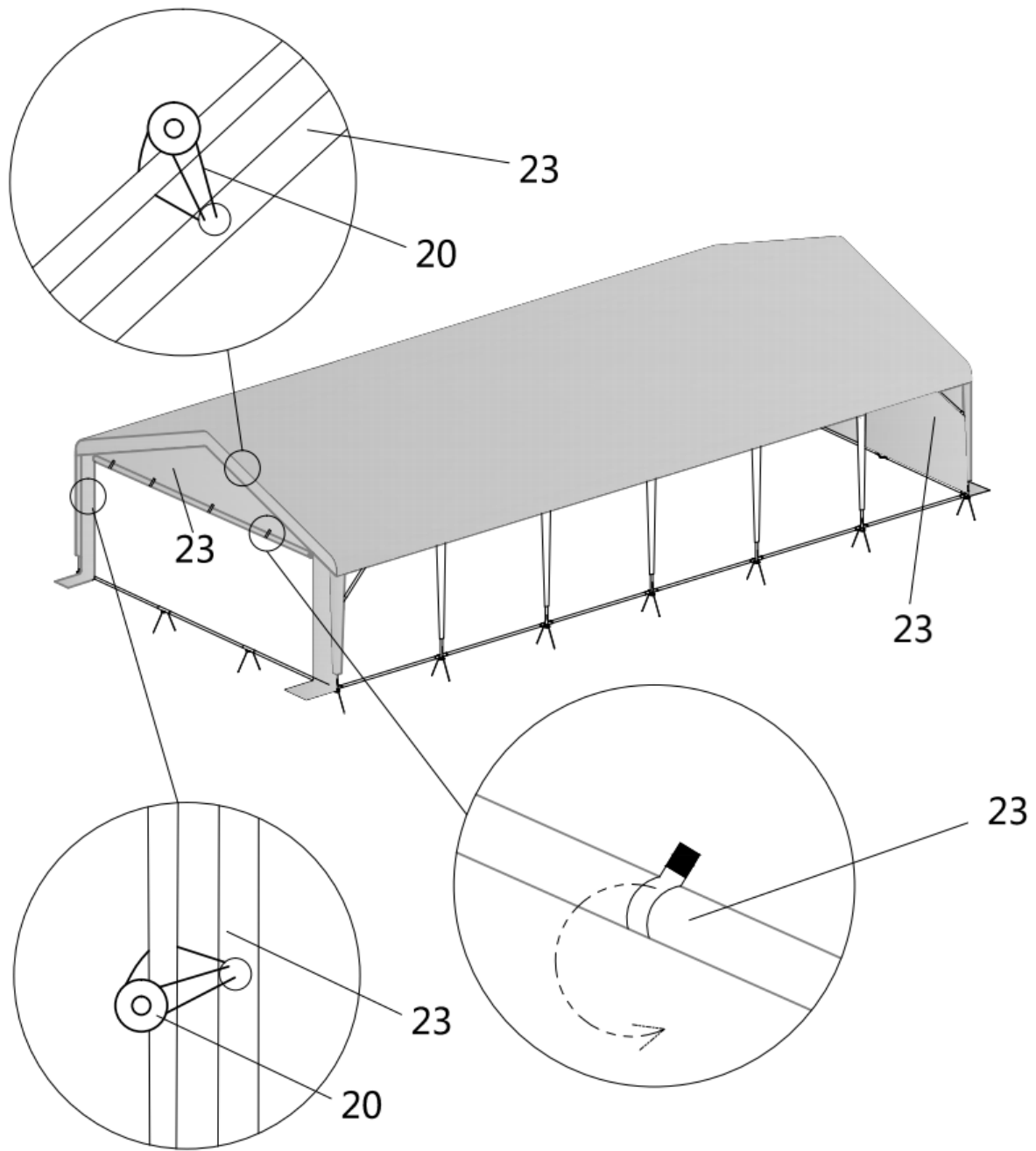


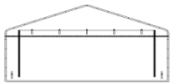

**STEP 12 : FIXED BASEPLATE.**



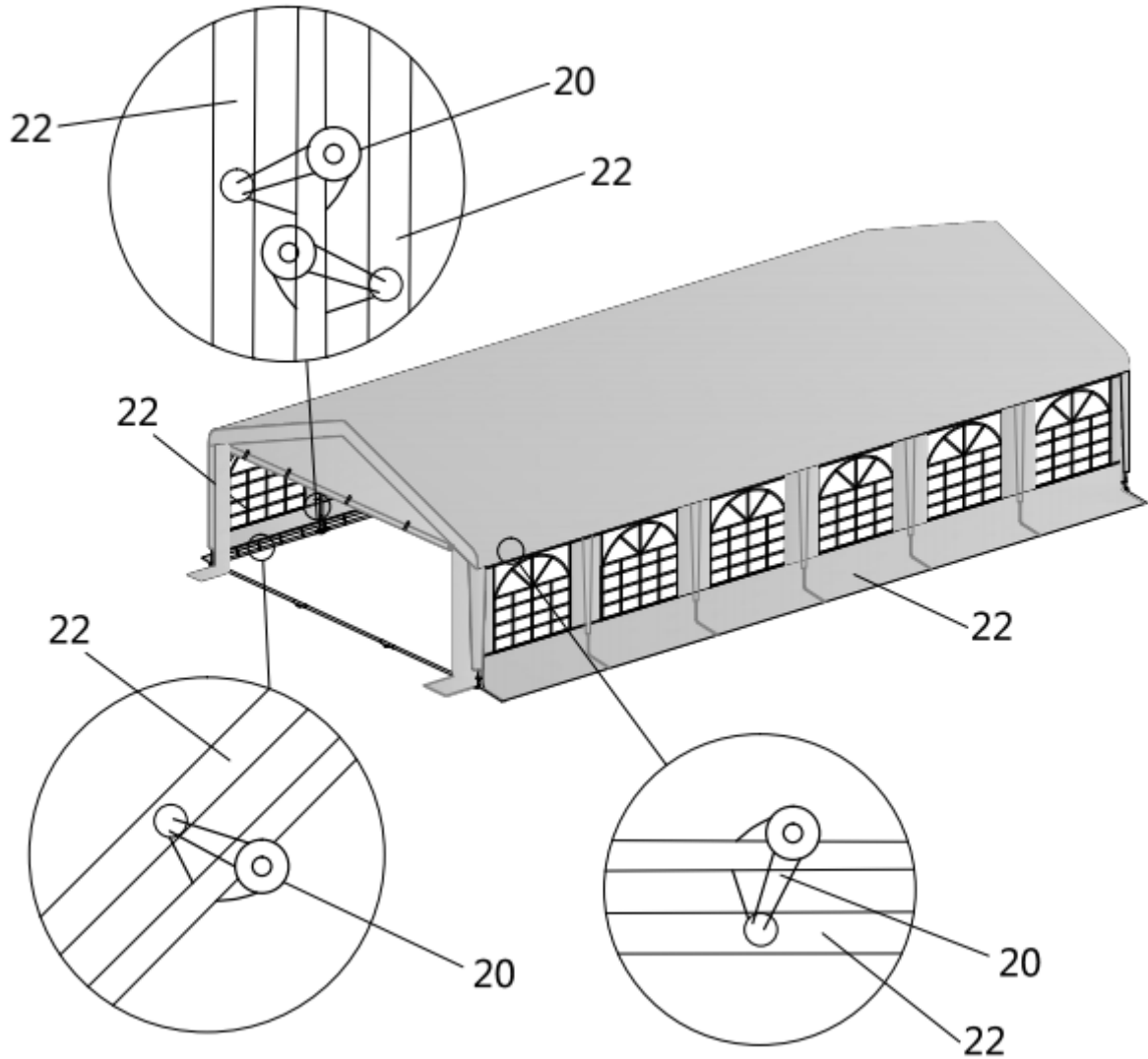
NO.	PART	QTY
16		36

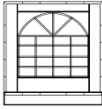

**STEP 13 : INSTALL THE FRONT AND REAR FABRIC PANELS (#23).**



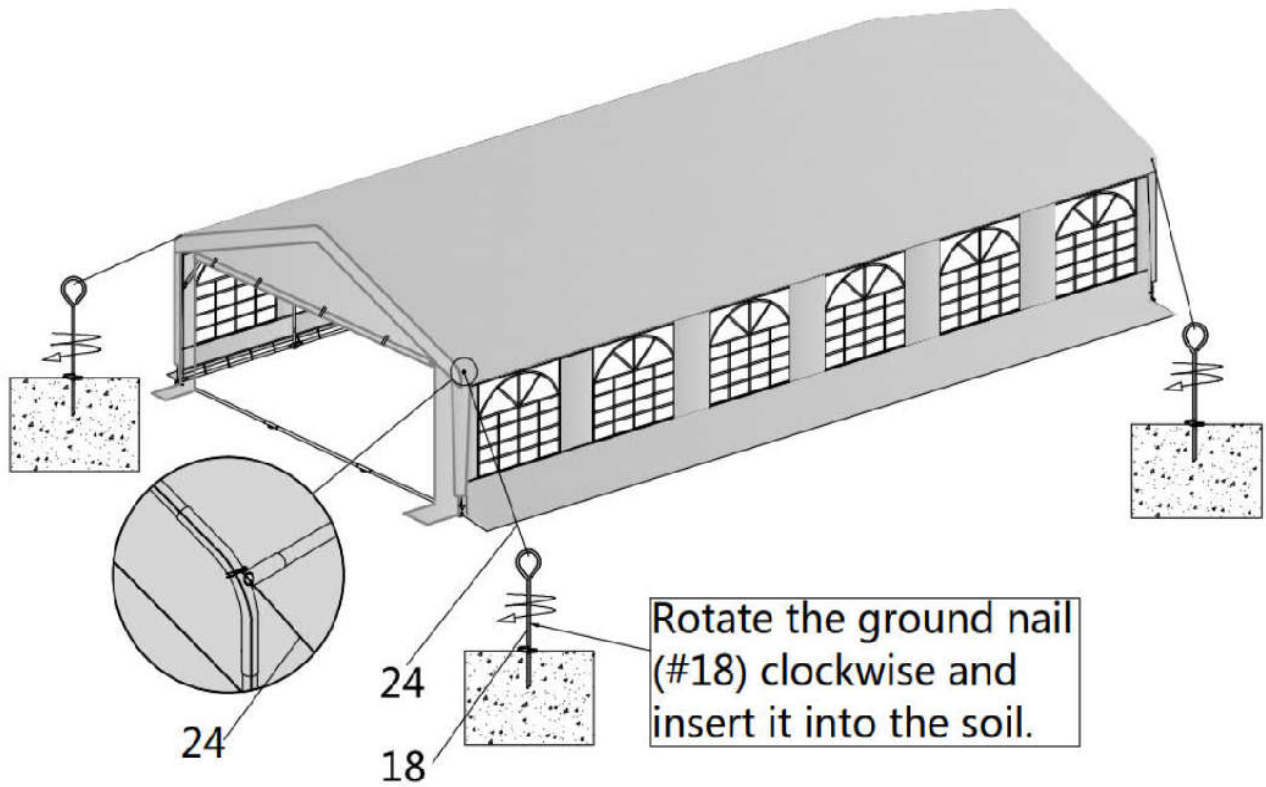
NO.	PART	QTY
23		2
20		50

**STEP 14 : INSTALL SIDE COVER( #22 ).**



NO.	PART	QTY
22		12
20		240

**STEP 15 : FIXED FOUR CORNERS.**



NO.	PART	QTY
18		4
24		4

## **AFTER THE INSTALLATION**

Walk around and inspect the shelter periodically to make sure all components are still firmly secured and the whole shelter is well supported. Check all bolts and nuts as well as all connection points to make sure they are all in good position. Check the base plates, adjust the ropes and tie downs if required and clean the cover regularly.

Snow accumulating on the fabric cover must be removed as soon as possible. If snow becomes solid ice on the cover, it will increase the weight on the roof and may collapse the shelter or reduce the life span.

Keep the shelter on a dry ground most of the time. Do not keep the fabric dirt skirt under water all the time, otherwise the fabric will deteriorate.

We strongly recommend you remove any snow from the roof immediately. Do not leave any snow load on the roof overnight. Keep 3 feet of clearance on all sides at all times. Do not allow snow to accumulate and pile up on the sides of the building. Otherwise the pressure from the sides will push inwards and could lead to a collapse.