

ACCESSORIES FOR SAWMILL

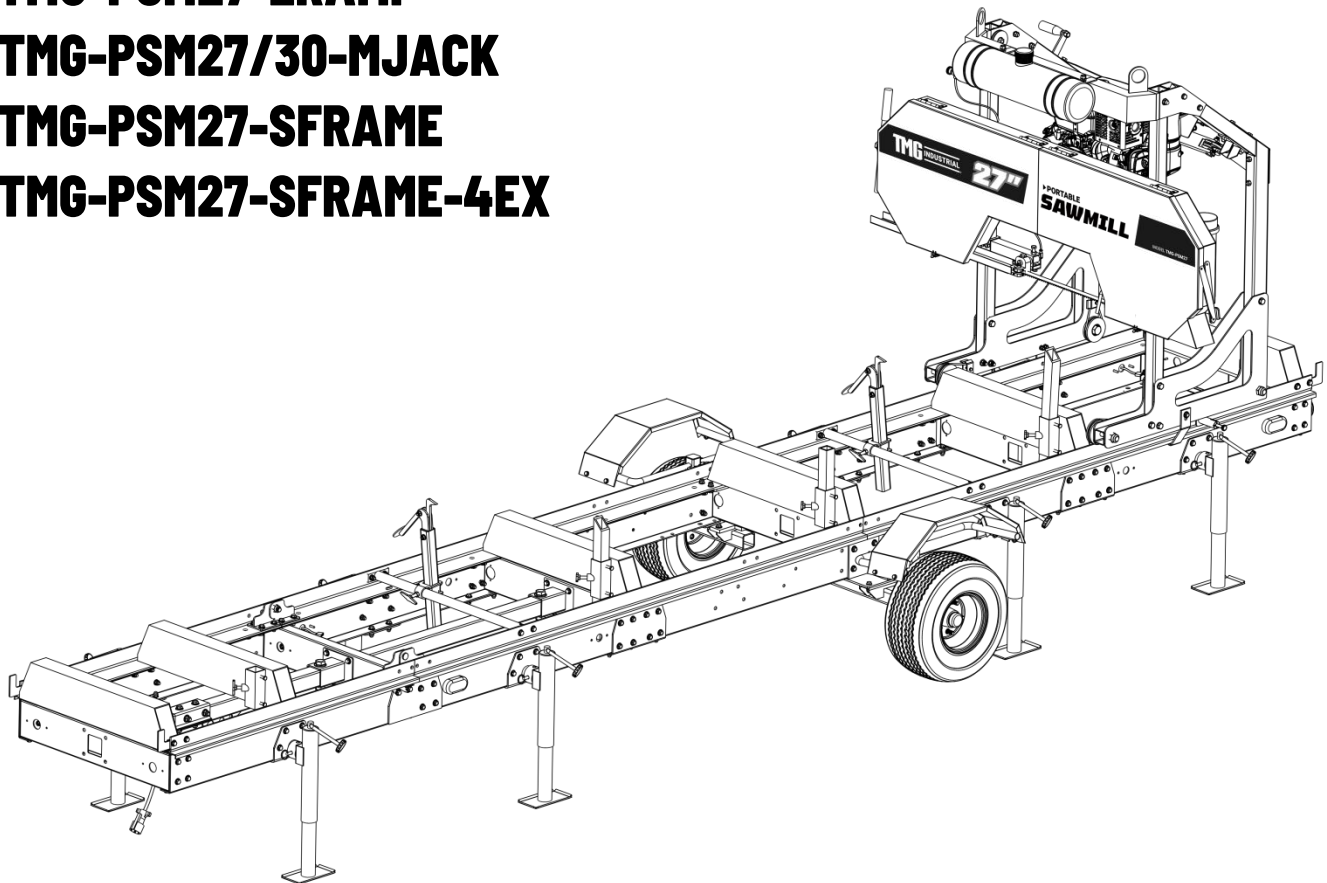
TMG-PSM27

TMG-PSM27-LRAMP

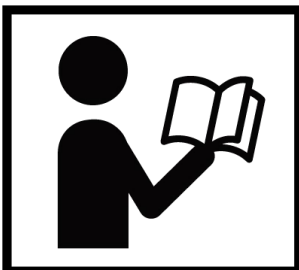
TMG-PSM27/30-MJACK

TMG-PSM27-SFRAME

TMG-PSM27-SFRAME-4EX



⚠ WARNING



- Please read and understand the product manual completely before assembly
- Check against the parts list to make sure all parts are received
- Wear proper safety goggles or other protective gears while in assembly
- Do not return the product to dealer. They are not equipped to handle your requests.

Missing parts or questions on assembly?

Please call: 1-877-761-2819 or email: cs@tmgindustrial.com

TABLE OF CONTENTS

DISCLAIMER.....	3
INTRODUCTION.....	3
INTENDED USE.....	4
TECHNICAL SPECIFICATIONS.....	4
SAFETY INSTRUCTIONS.....	5
1. TMG-PSM27-SFRAME PRIMARY SUB-FRAME.....	6
2. TMG-PSM27/30-MJACK MOBILTY KIT.....	12
3. TMG-PSM27-LRAMP LOG LOADING RAMP KIT.....	19
4. TMG-PSM27-SFRAME-4EX 4' SUB-FRAME EXTENSION.....	24
MAINTENANCE.....	32

DISCLAIMER

To avoid serious injury, the Primary Sub-frame and Mobility kit must always be handled, operated, and stored with the utmost care and good judgement and in accordance with all warning, cautions, instruction, and procedures contained in this manual, in the instructions enclosed with optional accessories and on the decals on the equipment. Failure to use good judgement or to follow any of these warnings, cautions, instructions, and procedures can result in severe injury or death.

TMG INDUSTRIAL disclaim any responsibility or liability, in negligence or otherwise, for any injuries, damages or losses of any kind arising during assembling, operating, or handling this equipment. Responsibility for final inspection of the TMG INDUSTRIAL parts and components, and the assembly, maintenance, and safe use of the equipment, lies solely with the person(s) who assembles and operates the equipment.

INTRODUCTION

Thank you for choosing the primary sub-frame, sub-frame extension, log loading ramp kit and mobility kit for TMG-PSM27 It is important that you read the entire manual to become familiar with this product before you begin using it.

This Manual gives you the necessary information about your equipment so you will be able to use it properly. The entire manual must be read and understood before using the equipment. If any questions should arise that are not covered by this manual, please contact us cs@tmgindustrial.com The equipment is Compatible with all existing Sawmills for milling logs while the equipment is stationary and firmly supported on the ground. It is not intended to carry any additional weight or be used as a utility Trailer.

This attachments is designed for certain applications only. We strongly recommend this equipment is not modified and/or used for any application other than that for which it was designed. If you have any questions relative to a particular application, DO NOT use it until you have first contacted us to determine if it can or should be performed on the product.

For technical questions and replacement parts, please contact TMG Industrial-A division of Transcan Motorsports Inc.

INTENDED USE

These attachments are compatible with the TMG-PSM27 SAWMILL

TECHNICAL SPECIFICATIONS

TMG-PSM27-SFRAME	
Item	Description
Primary sub-frame	174"x30-1/2"
Primary sub-frame capacity	4400lb(2000kg)
Levelling jack capacity	2000lb by each (6pcs)
Levelling jack adjust height	10"
TMG-PSM27/30-MJACK	
Item	Description
Wheels	13"x6-1/2"
Rubber torsion axle capacity	1650 lb
Hitch coupler	2"
Tow bar length	73"
LED trailer light	Turn lights (2), Combination lights (2), Side markers (2)
TMG-PSM27-LRAMP	
Item	Description
Max. Loading capacity	3800lb
Ramp length	70"
Steel cable length	32-1/2'
Max. pulling capacity of winch	2000 lb
TMG-PSM27-SFRAME-4EX	
Item	Description
Primary sub-frame	48"x30-1/2"
Primary sub-frame capacity	4400lb(2000kg)
Levelling jack capacity	2000lb by each (2pcs)
Levelling jack adjust height	10"

GENERAL SAFETY RULES



WARNING: Read and understand all instructions. Failure to follow all instructions listed below may result in electric shock, fire and/or serious injury.



WARNING! Read and understand all instructions before using this tool. The operator must follow basic precautions to reduce the risk of personal injury and / or damage to the equipment. Before allowing someone else to use this tool, make sure they are aware of all safety information.



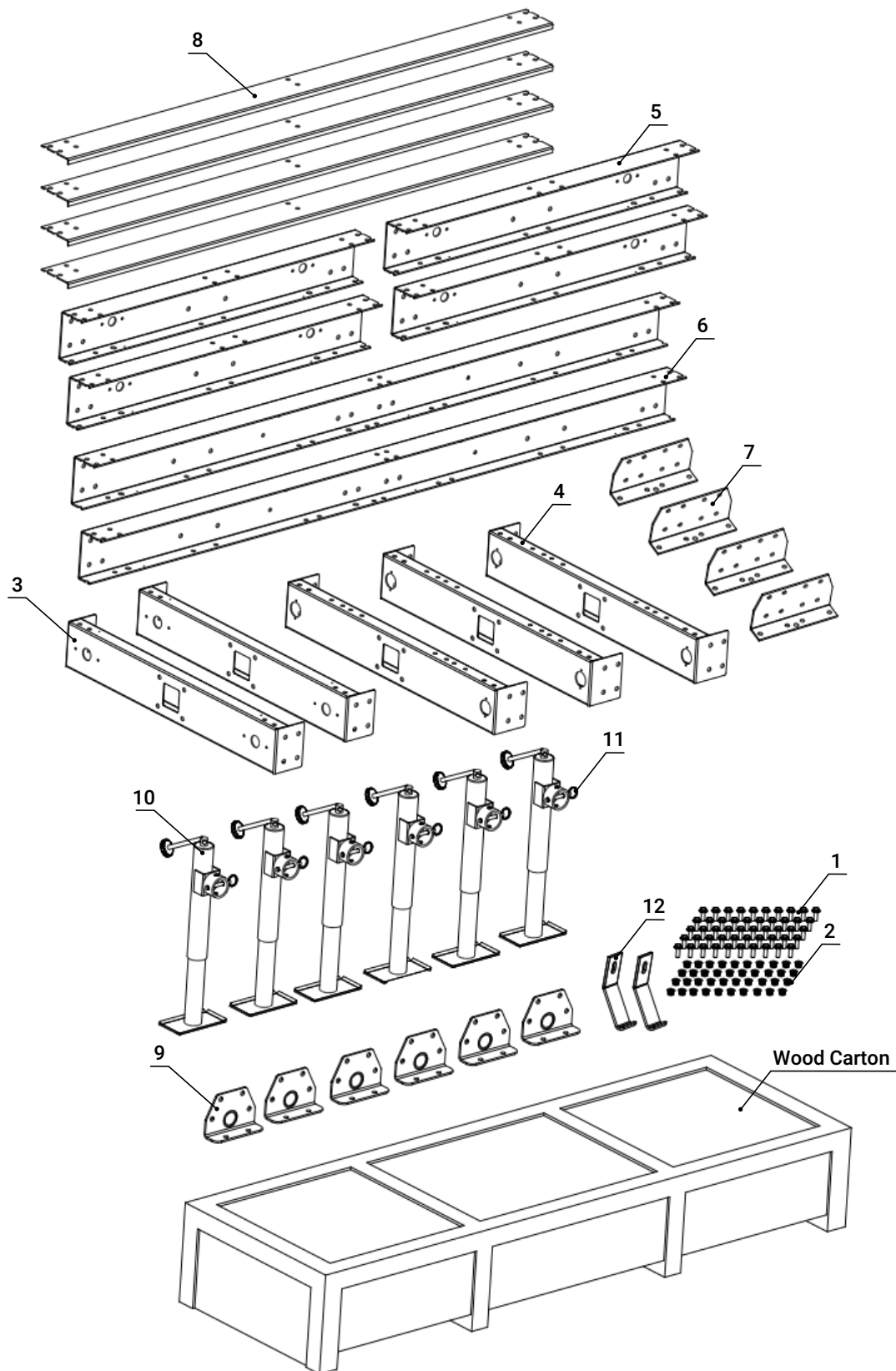
WARNING! The warnings, cautions and instructions discussed in this instruction manual cannot cover all possible conditions and situations that may occur. Common sense and caution are factors that cannot be built into this product, but must be supplied by the operator.

NOTE: All Federal and State laws and any regulation having jurisdiction covering the safety requirements for use of the machine take precedence over the statements in this manual. Users of this machine must adhere to such regulations.

1. TMG-PSM27-SFRAME PRIMARY SUB-FRAME

UNPACKING & ASSEMBLY

1. Check the following components after unpacking

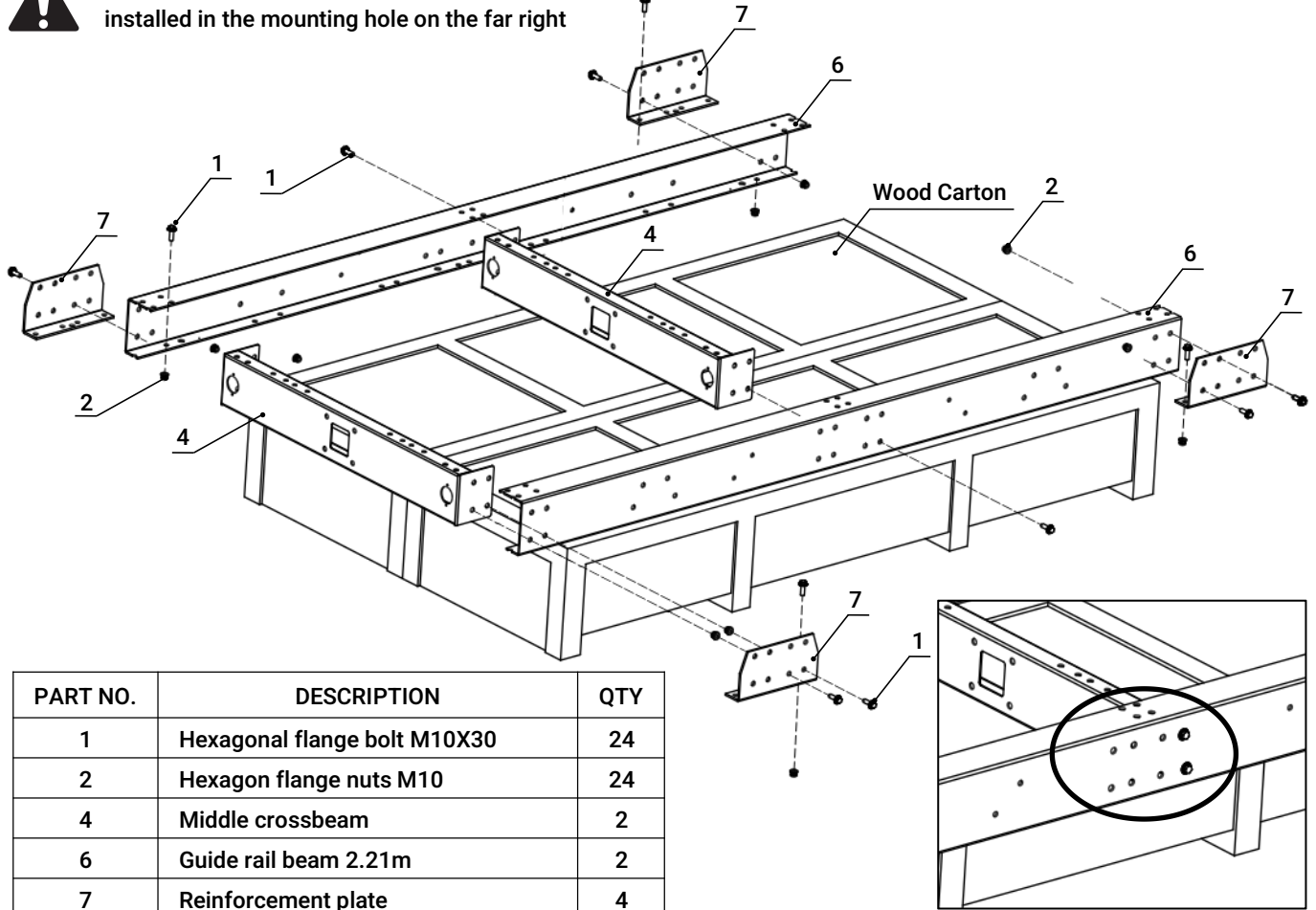


PART NO.	DESCRIPTION	QTY	PART NO.	DESCRIPTION	QTY
1	Hexagonal flange bolt M10X30	106	7	Reinforcement plate	4
2	Hexagon flange nuts M10	106	8	Anti roll plate 2.21m	4
3	Front and rear crossbeam	2	9	Jack seat welding	6
4	Middle crossbeam	3	10	Trailer jack 2000 lb	6
5	Guide rail beam 1.105m	4	11	Safety pin	6
6	Guide rail beam 2.21m	2	12	Anti roll hook outer side	2

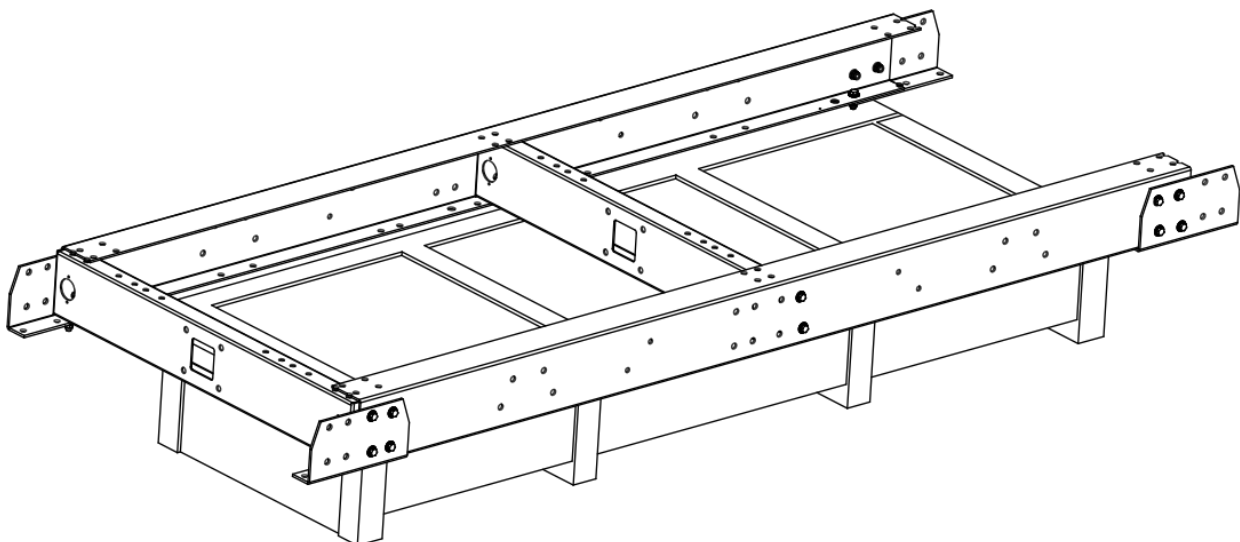
2. Install the guide rail beam (6) and the reinforcement plate (7) to the middle crossbeam (4) according to the figures. Please refer the above figure for installation, and the following diagram shows the appearance after installation. Please pay attention to the bolt positions in the below figure when installing.



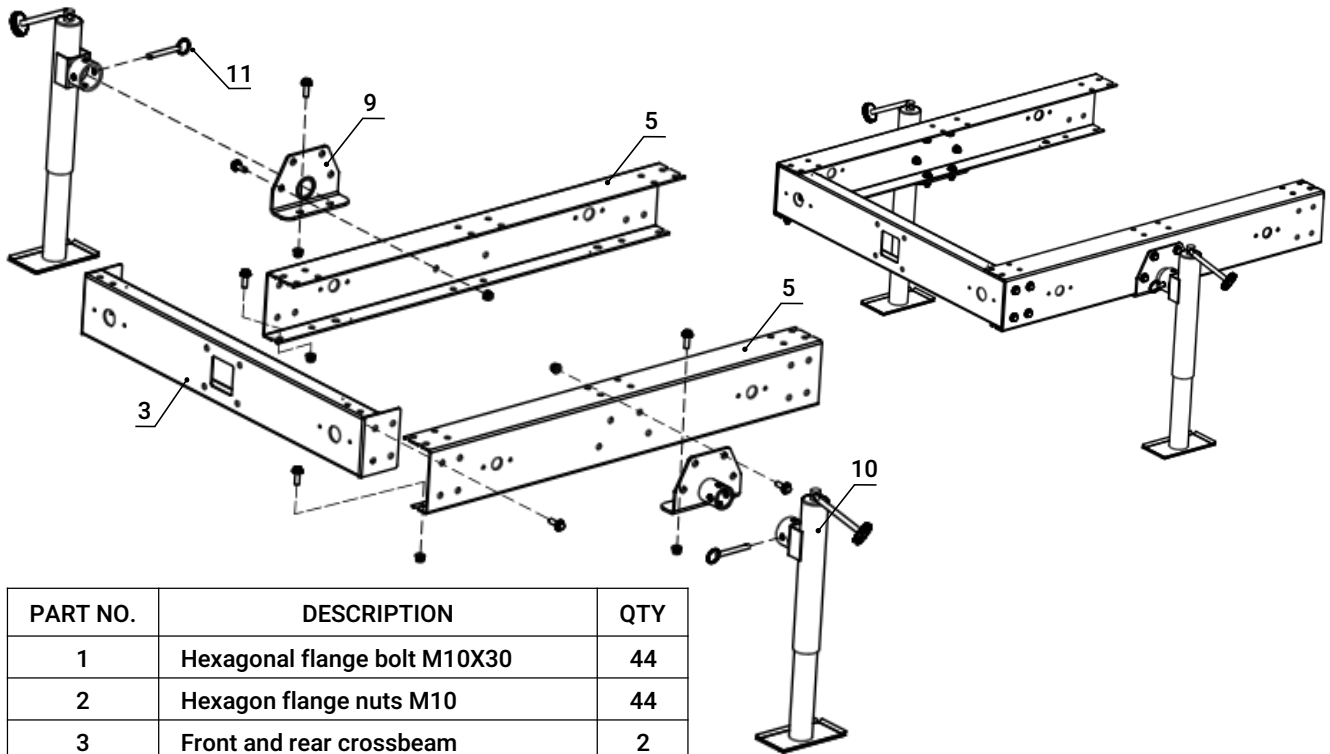
If you will install mobility kit, when you install middle #4, you only install 2pcs the hexagonal flange bolt (1), then it is installed in the mounting hole on the far right



PART NO.	DESCRIPTION	QTY
1	Hexagonal flange bolt M10X30	24
2	Hexagon flange nuts M10	24
4	Middle crossbeam	2
6	Guide rail beam 2.21m	2
7	Reinforcement plate	4

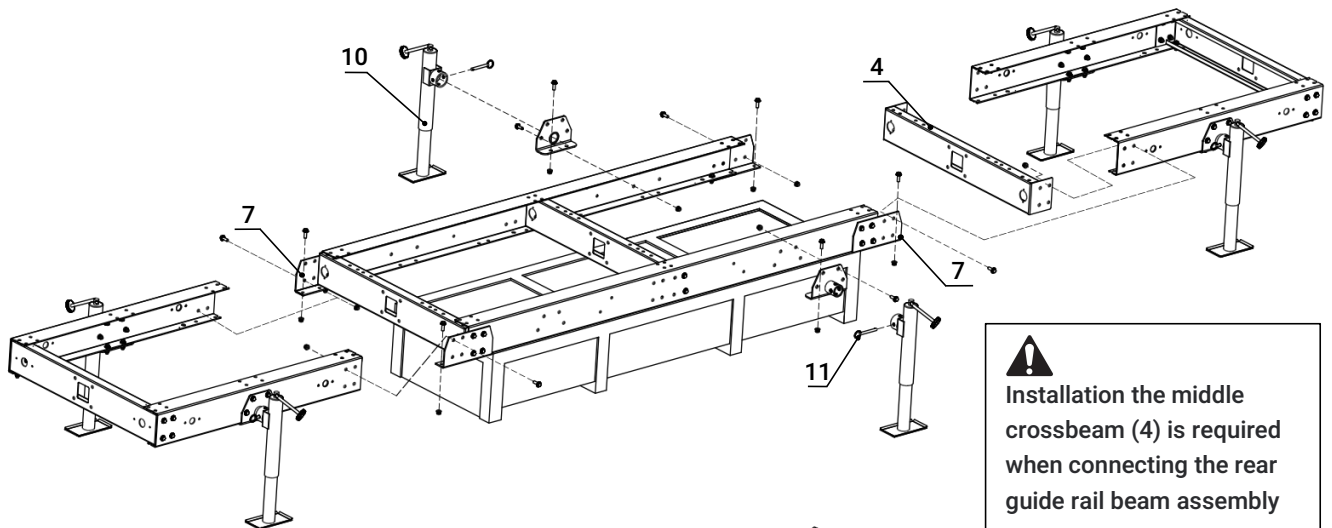


3. Use hexagonal flange bolt (1) and hexagonal flange nuts (2) install the guide rail beam (5), the front and rear crossbeam (3) the jack seat welding (9) and trailer jacks (10), repeat to install another one.

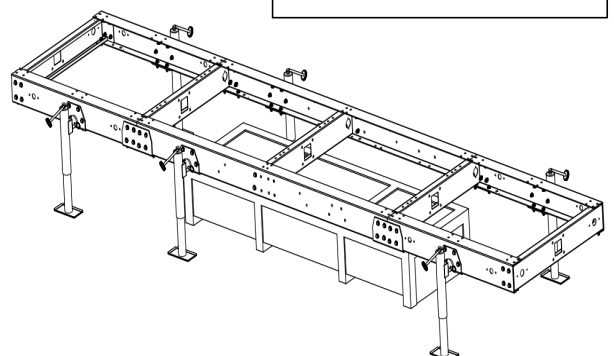


PART NO.	DESCRIPTION	QTY
1	Hexagonal flange bolt M10X30	44
2	Hexagon flange nuts M10	44
3	Front and rear crossbeam	2
5	Guide rail beam 1.105m	4
9	Jack seat welding	4
10	Tralier jack 2000 lb	4
11	Safety pin	4

4. Use hexagonal flange bolt (1) and hexagonal flange nuts (2) contact the guide rail beam assembly on the reinforcement plate (7), install the jack seat welding (9) and trailer jacks (10) on the long guide rail beam.



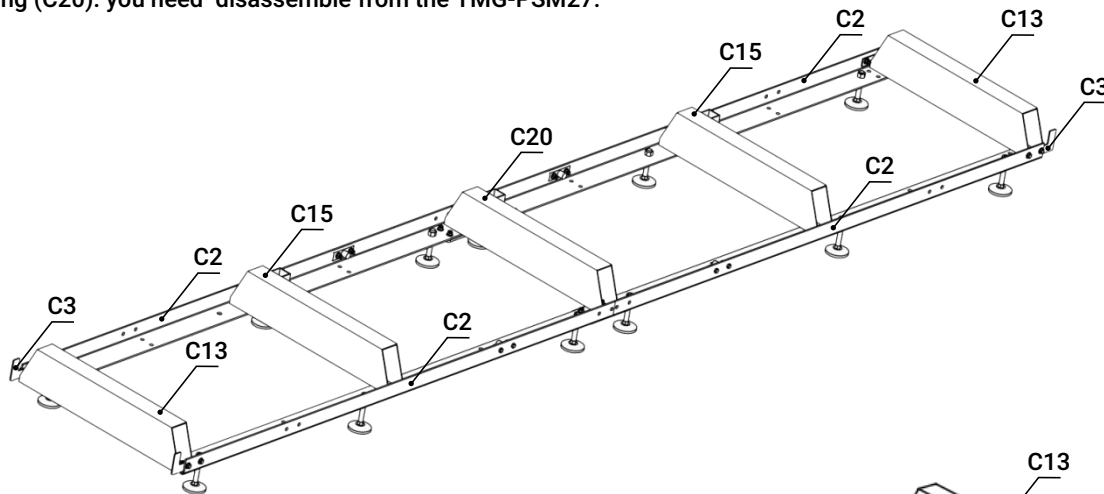
PART NO.	DESCRIPTION	QTY
1	Hexagonal flange bolt M10X30	36
2	Hexagon flange nuts M10	36
4	Middle crossbeam	1
9	Jack seat welding	2
10	Tralier jack 2000 lb	2
11	Safety pin	2



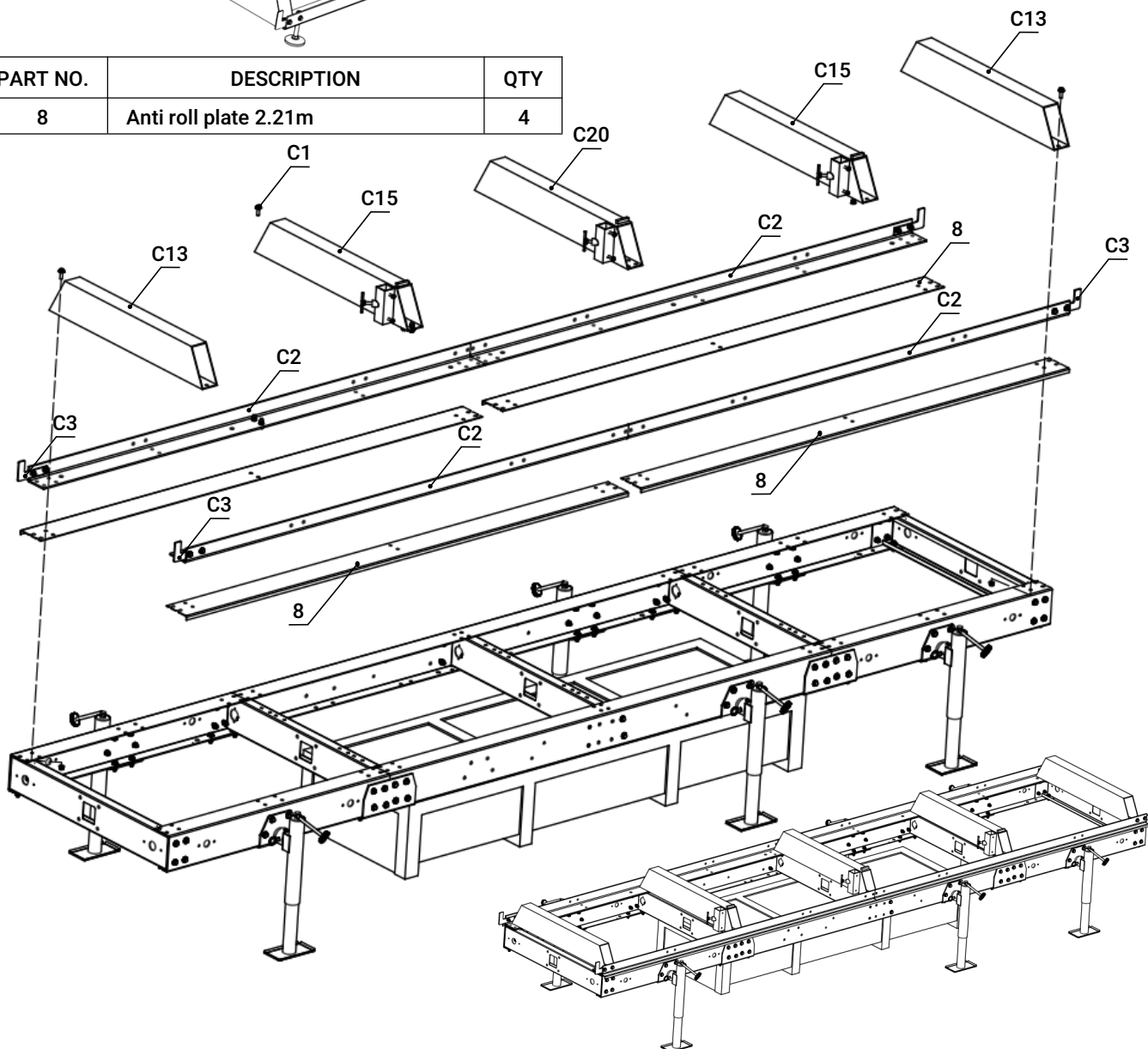
5. Remove the track system from the SAWMILL of TMG-PSM27 and tidy up all fittings for installation. Install the guide rail (C2), limit plate (C3), guide rail beam (C13, C15, C20) and anti roll plate(8) on the sub-frame. Use the hexagon flange bolts (C1) and hexagon flange self-locking nut (C4) from SAWMILL of TMG-PSM27. The correct installation position is shown in the figure below.



This package not include the hexagon flange bolts M10x30 (C1), guide rail (C2), limit plate (C3), hexagon flange self-locking nut M10 (C4), two-hole guide rail beam (C13), two-hole guide rail beam welding (C15), four-hole rail beam welding (C20). you need disassemble from the TMG-PSM27.



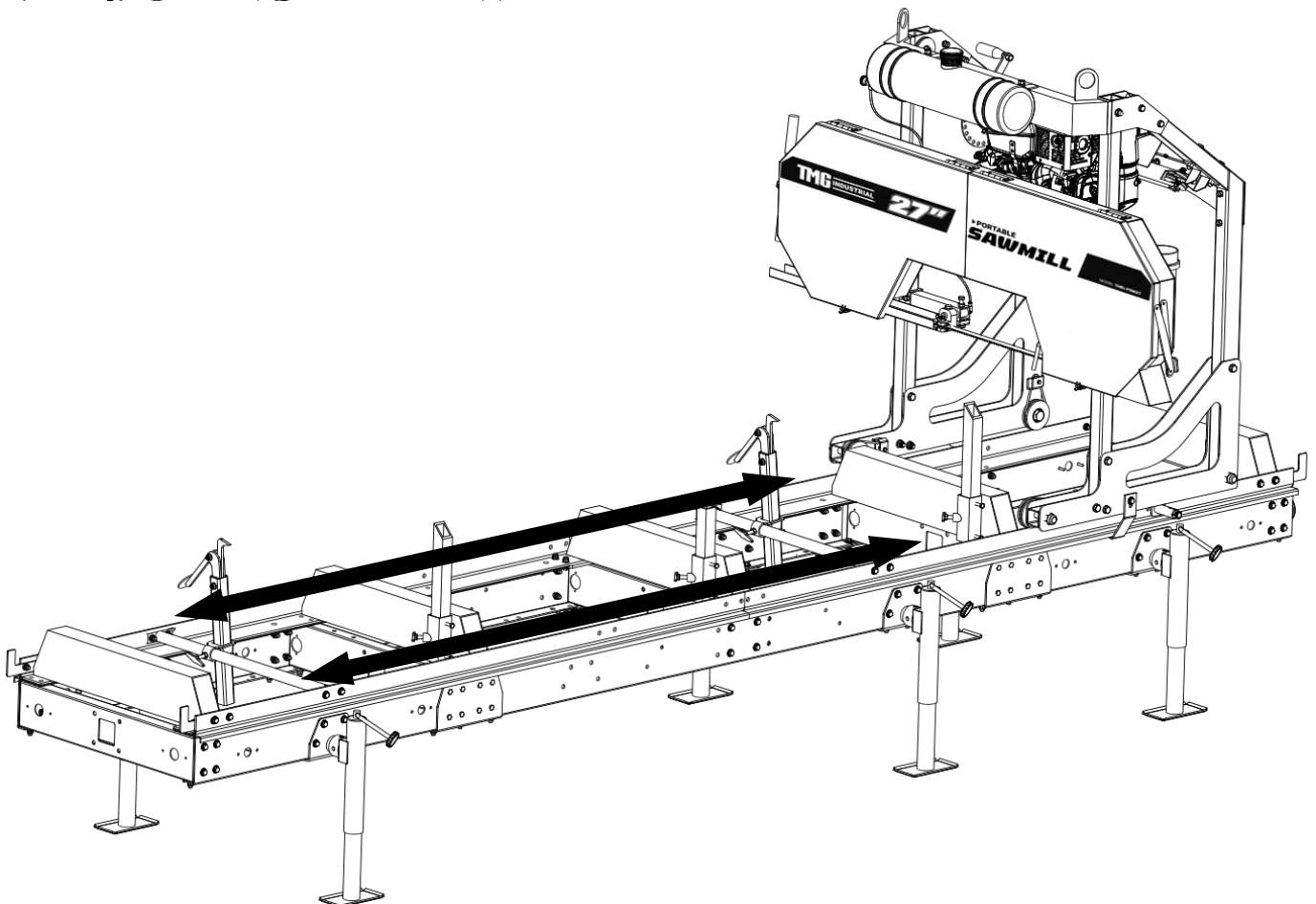
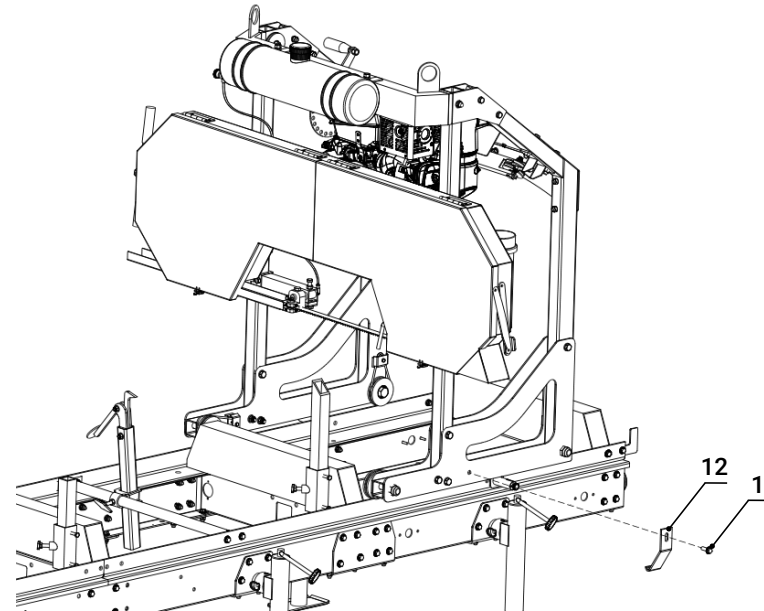
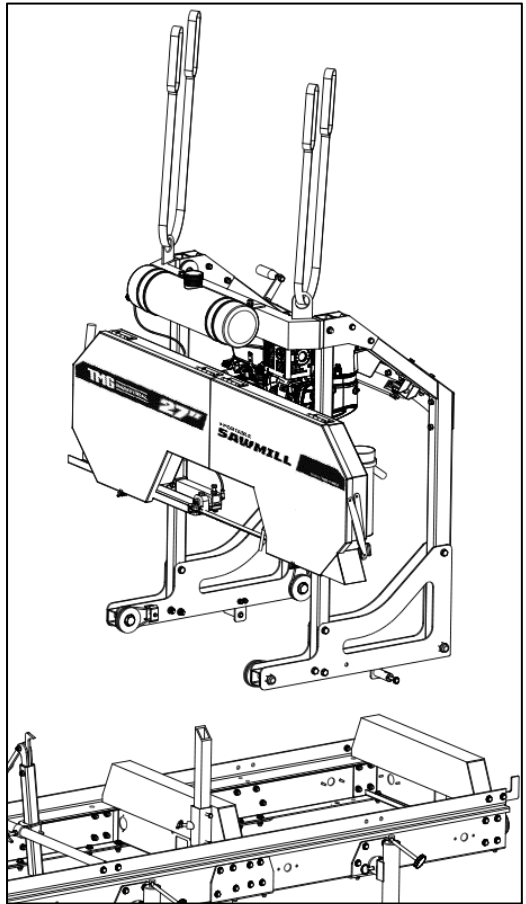
PART NO.	DESCRIPTION	QTY
8	Anti roll plate 2.21m	4



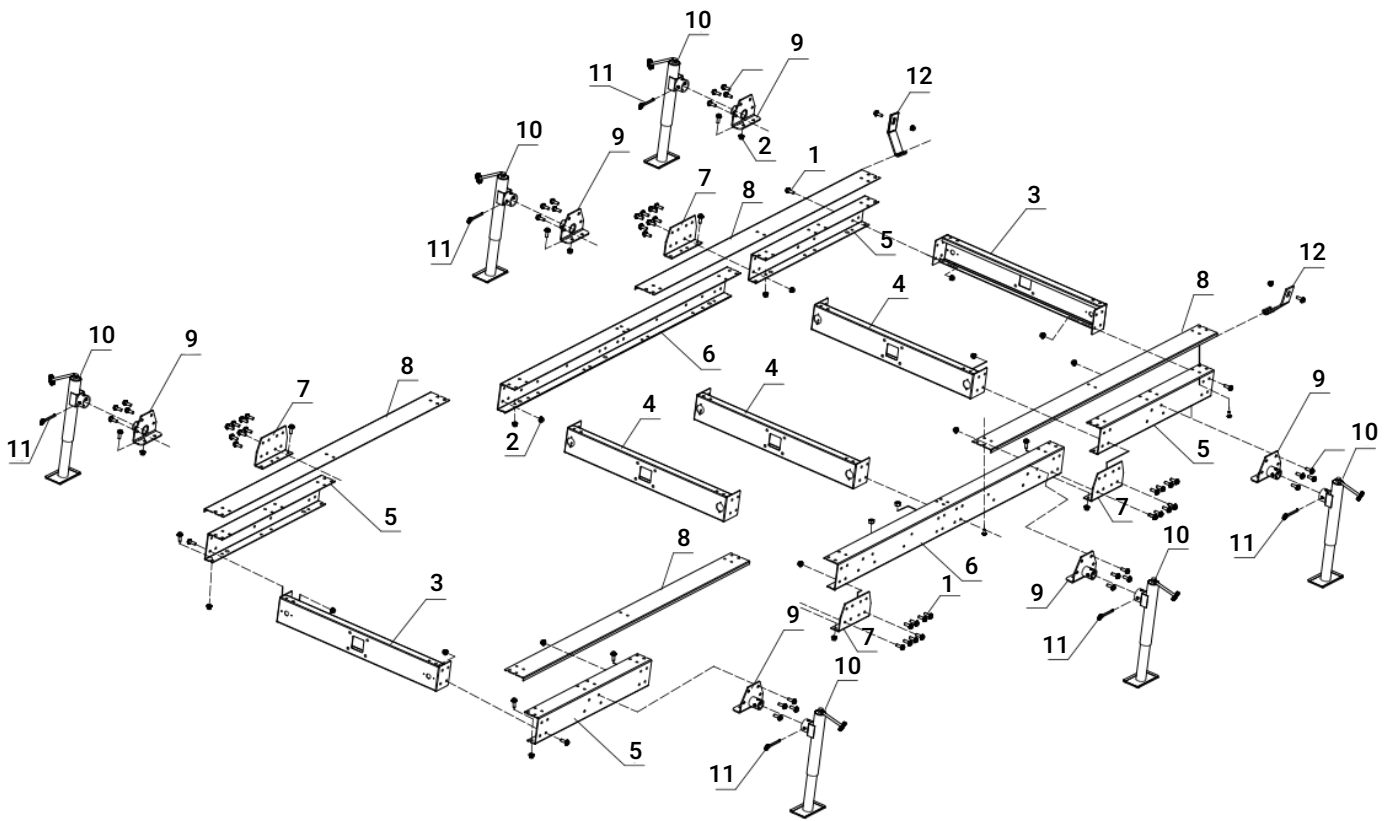
After installing all components, check and lock all bolts and nuts, then adjust the trailer jacks, and check the straight and level of the track, methods refer to the manual of TMG-PSM27 for details.

6. Use lifting tools to lift the saw head onto the installed sub-frame, install the anti roll hook outer side (12) to the sawmill and install other clamping accessories. After installing the anti tilt hook, push the saw head forward and backward to ensure smooth movement of the machine.

PART NO.	DESCRIPTION	QTY
1	Hexagonal flange bolt M10X30	2
2	Hexagon flange nuts M10	2
12	Anti roll hook outer side	2



PARTS BREAKDOWN

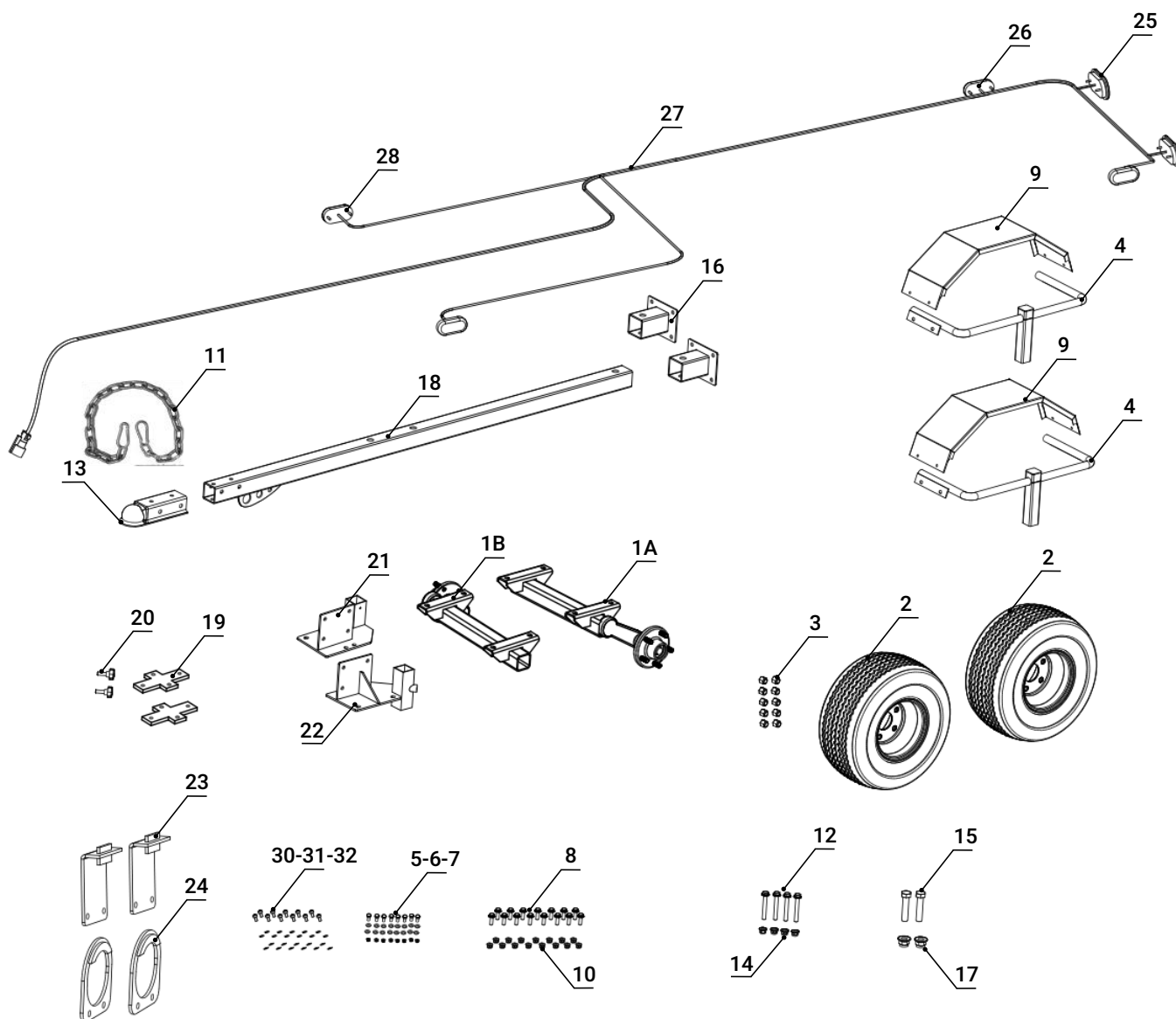


PART NO.	DESCRIPTION	QTY	PART NO.	DESCRIPTION	QTY
1	Hexagonal flange bolt M10X30	106	7	Reinforcement plate	4
2	Hexagon flange nuts M10	106	8	Anti roll plate 2.21m	4
3	Front and rear crossbeam	2	9	Jack seat welding	6
4	Middle crossbeam	3	10	Trailer jack 2000 lb	6
5	Guide rail beam 1.105m	4	11	Safety pin	6
6	Guide rail beam 2.21m	2	12	Anti roll hook outer side	2

2. TMG-PSM27/30-MJACK MOBILITY KIT

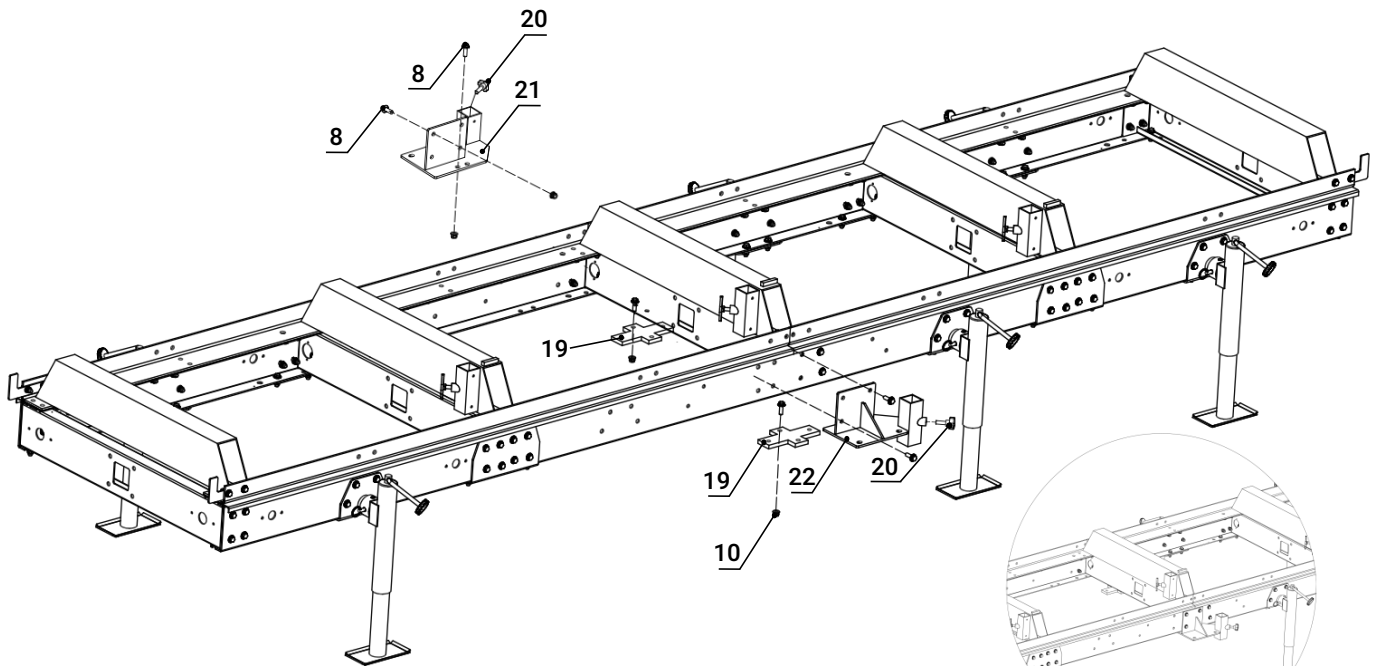
UNPACKING & ASSEMBLY

1. Check the following components after unpacking

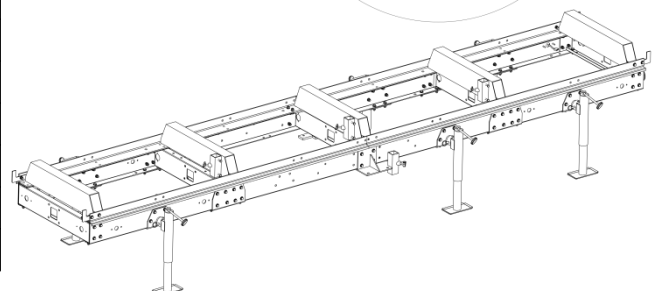


PART NO.	DESCRIPTION	QTY	PART NO.	DESCRIPTION	QTY
1A	Rubber torsion shaft 750KG (left)	1	17	Hexagon self-locking nut M20	2
1B	Rubber torsion shaft 750KG (right)	1	18	Welding of towing rod	1
2	Tire assembly 165/70R13 with DOT	2	19	Middle half shaft seat plate	2
3	Hub nut	10	20	Triangle handle M10X40X30	2
4	Mud tile frame welding	2	21	Heavy-duty half axle seat (left)	1
5	Hexagonal bolt M8X20	8	22	Heavy-duty half axle seat (right)	1
6	Plain washer Ø8	16	23	Welding of rear anti roll transport hook	2
7	Hexagon self-locking nut M8	8	24	Welding of front anti roll transport hook	2
8	Hexagonal flange bolt M10X30	38	25	12V-100-160X80 tail and stop light	2
9	Mudguard	2	26	12V-76-103X50 clearance lamp	2
10	Hexagon flange nut M10	38	27	Trailer main line	1
11	Anti detachment chain 5000 x100cm	1	28	12V-76-103X50 turn signal lamp	2
12	Hexagonal bolt M12X90	4	29	Stainless steel wire clamp	11
13	Trailer coupler 2"	1	30	Cross pan head screw M5X8	11
14	Hexagon flange nut M12	4	31	Spring washer Ø5	11
15	Hexagonal bolt M20X100	2	32	Plain washer Ø5	11
16	Welding of drag bar seat	2			

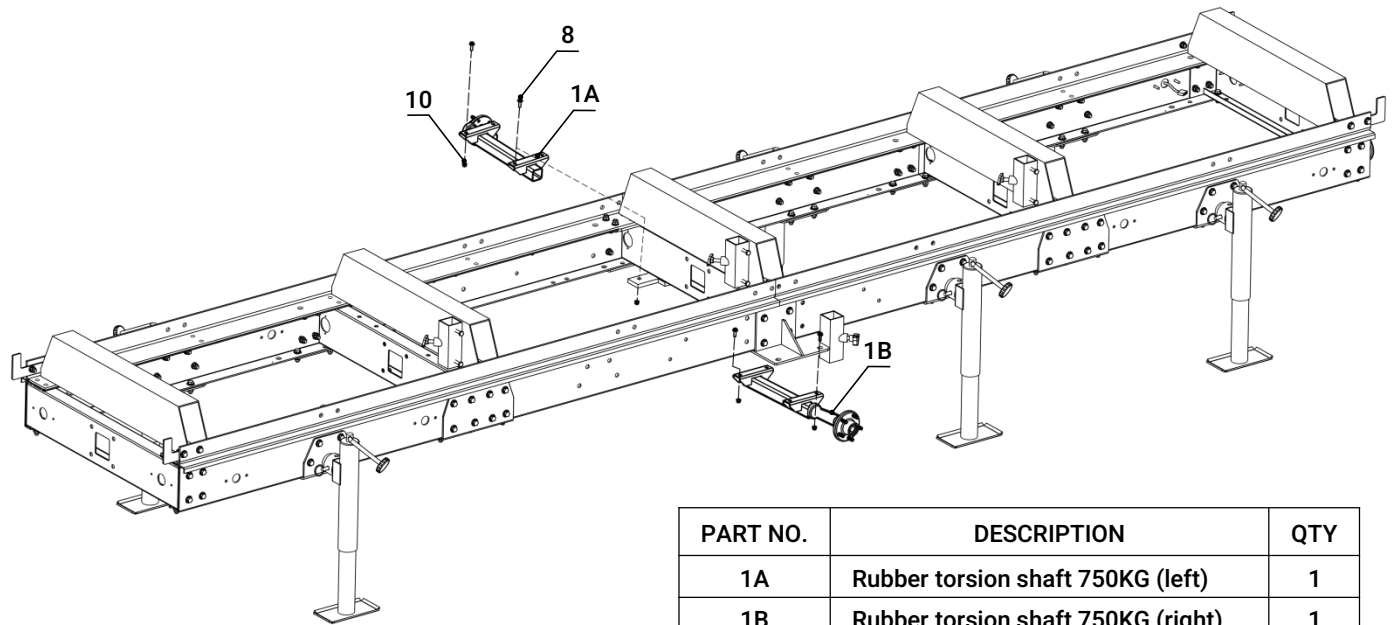
2. Install the middle half shaft seat plate (19) on the middle crossbeam, then install the heavy-duty half axle seat (21,22) on the sub-frame. use the hexagonal flange bolt (8) and the hexagon flange nuts (10) locking.



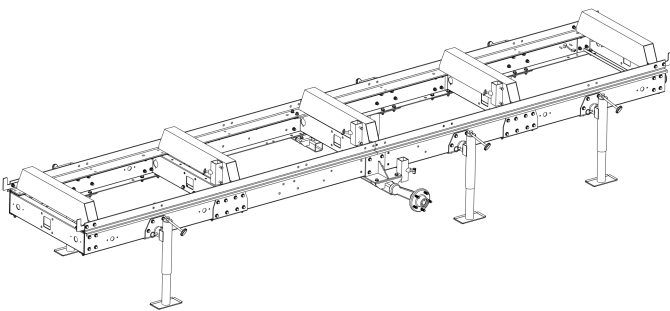
PART NO.	DESCRIPTION	QTY
8	Hexagonal flange bolt M10X30	14
10	Hexagon flange nuts M10	14
19	Middle half shaft seat plate	2
20	Triangle handle M10X40X30	2
21	Heavy-duty half axle seat (left)	1
22	Heavy-duty half axle seat (right)	1



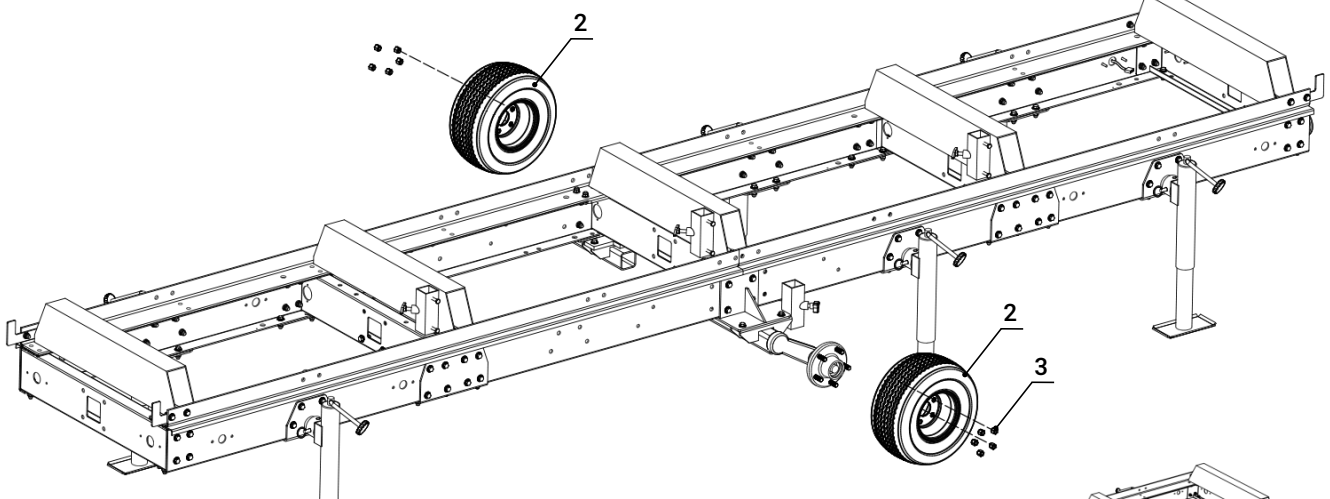
3. Install the rubber torsion shaft (1A, 1B) on the middle half shaft seat plate (19) and the heavy-duty half axle seat (21,22), use the hexagonal flange bolt (8) and the hexagon flange nuts (10) locking.



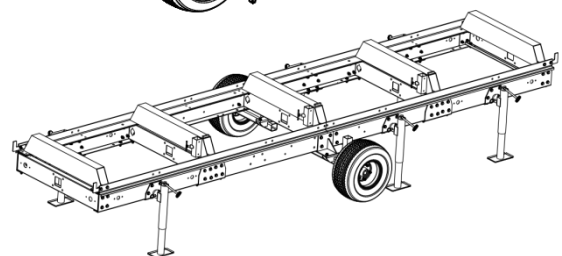
PART NO.	DESCRIPTION	QTY
1A	Rubber torsion shaft 750KG (left)	1
1B	Rubber torsion shaft 750KG (right)	1
8	Hexagonal flange bolt M10X30	8
10	Hexagon flange nuts M10	8



4. Install the tire assembly(2), use the hub nut (3) locking.

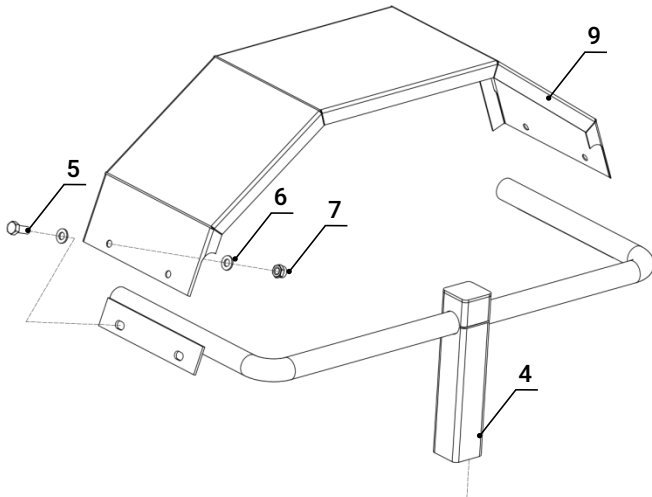


PART NO.	DESCRIPTION	QTY
2	Tire assembly 165/70R13 with DOT	2
3	Hub nut	10



Considering the combined situation of the road and the sub-frame, the maximum speed of the sawmill when moving cannot exceed 45MPH. Please comply with local traffic laws and regulations. If a license plate is required to drive on the road, please don't driving on the road before getting the license plate.

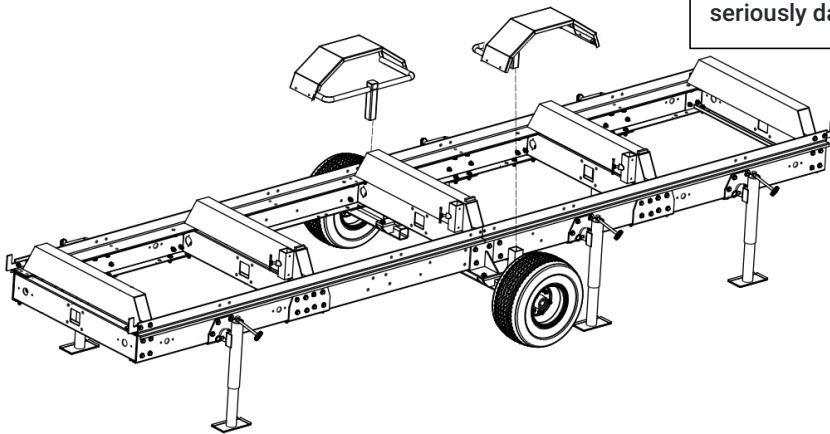
5. Install the mudguard (9) on the mud tile frame welding (4), use hexagonal bolt (5), plain washer (6) and hexagon self-locking nut (7) locking. Then insert into the heavy-duty half axle seat (21, 22) and lock with the triangle handle (20).



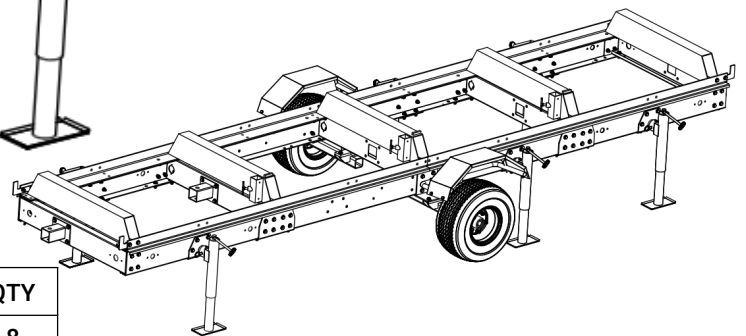
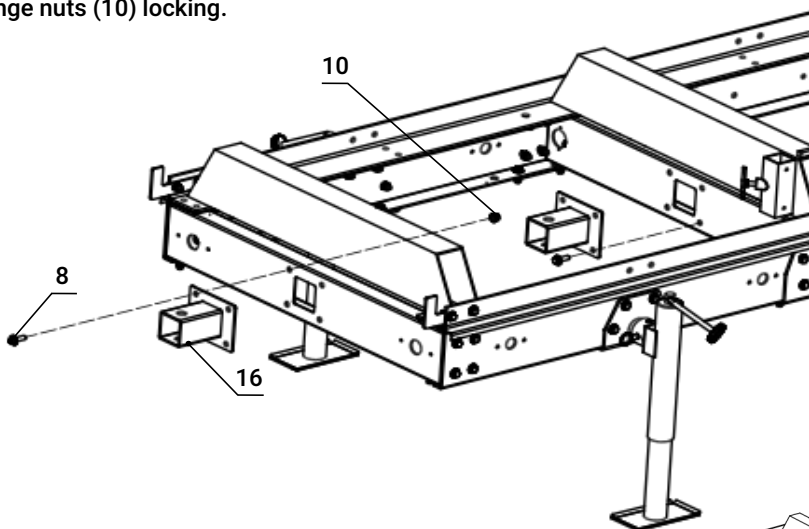
PART NO.	DESCRIPTION	QTY
4	Mud tile frame welding	2
5	Hexagonal bolt M8X20	8
6	Plain washer Ø8	16
7	Hexagon self-locking nut M8	8
9	Mudguard	2



The mud shield is only used when the machine is moving. In normal operation, the user needs to remove the mud cover, otherwise the saw head will not be able to move freely on the track, which will seriously damage the machine and injure the person

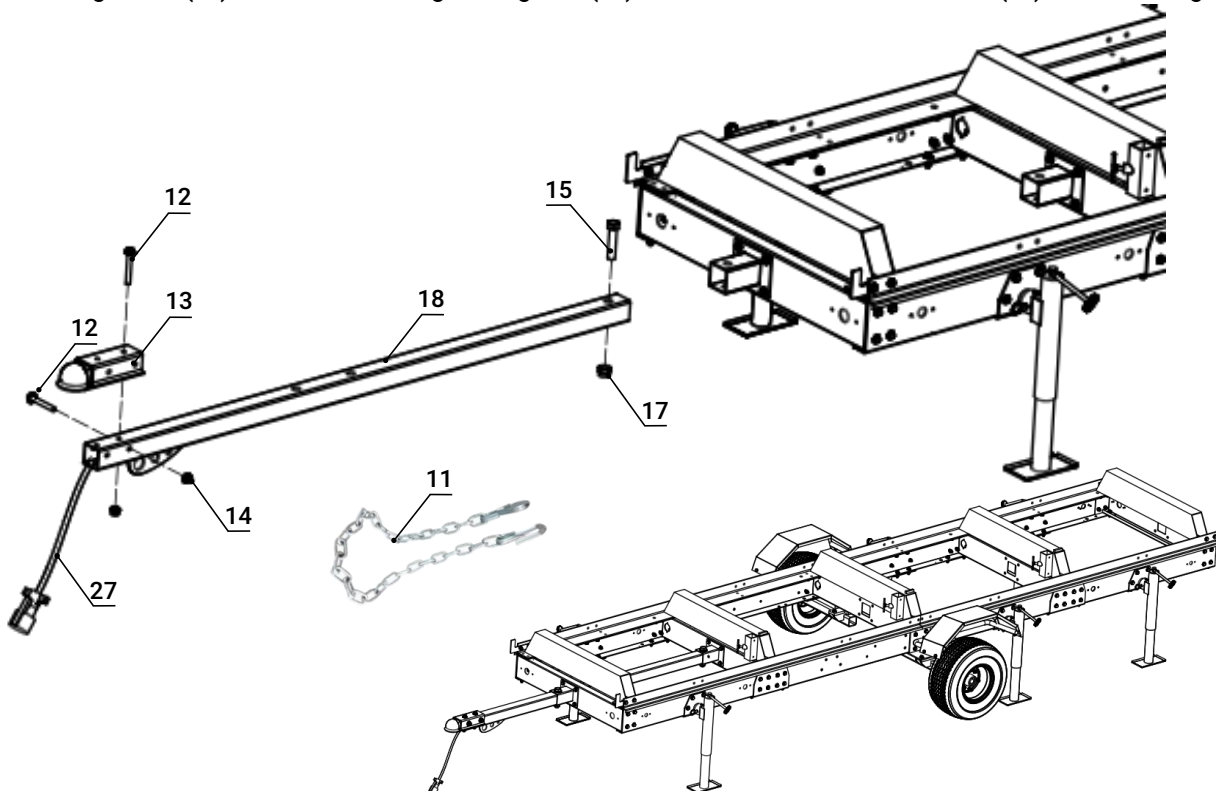


6. Install the welding of drag bar seat (16) according to the picture below, use the hexagonal flange bolt (8) and the hexagon flange nuts (10) locking.



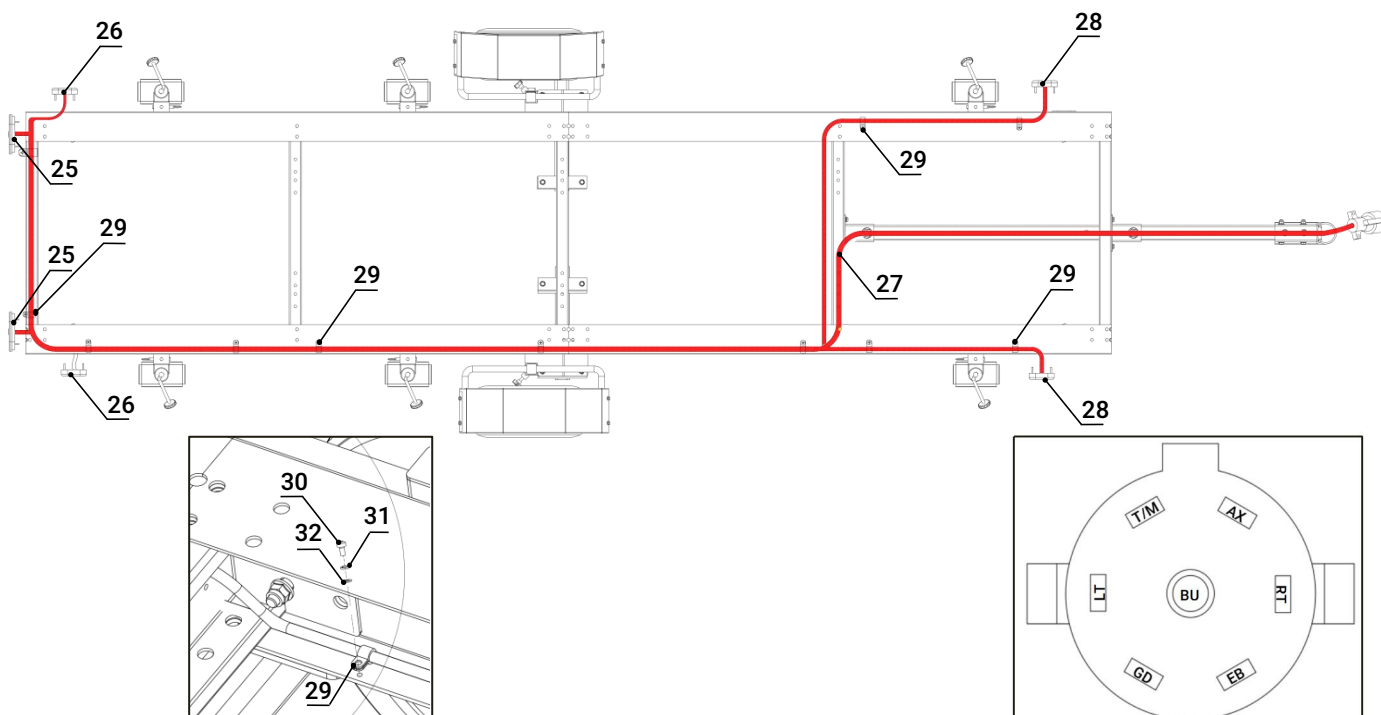
PART NO.	DESCRIPTION	QTY
8	Hexagonal flange bolt M10X30	8
10	Hexagon flange nuts M10	8
16	Welding of drag bar seat	2

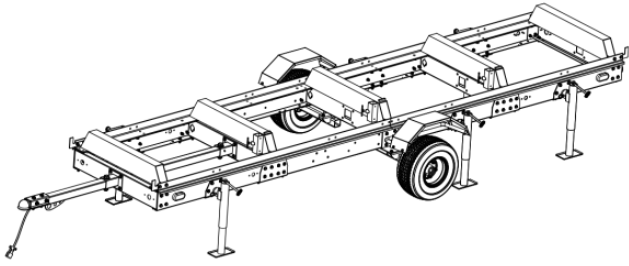
7. Thread the trailer main line(27) through the welding of towing rod (18), then thread the welding of towing road (18) through the welding of drag bar seat (16), insert the hexagonal bolt (15) and lock with hexagon self-locking nut (17). Install the trailer coupler (13), insert the hexagon bolt (12) and lock with hexagon flange nut (14). Install the anti detachment chain (11) on the welding of towing rod.



PART NO.	DESCRIPTION	QTY	PART NO.	DESCRIPTION	QTY
11	Anti detachment chain 5000 x100cm	1	15	Hexagonal bolt M20X100	2
12	Hexagonal bolt M12X90	4	17	Hexagon self-locking nut M20	2
13	Trailer coupler 2"	1	18	Welding of towing rod	1
14	Hexagon flange nut M12	4	27	Trailer main line	1

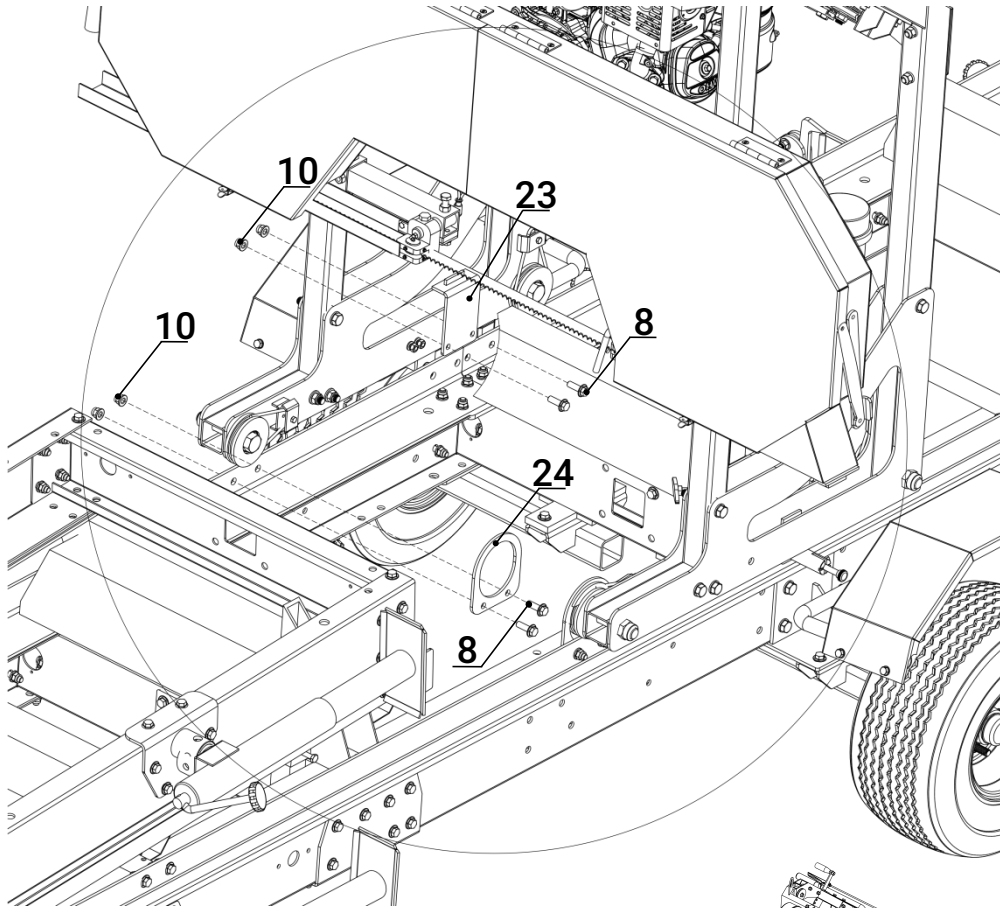
8. Install the tail and stop light (25), the clearance lamp (26) and the turn signal lamp (28), then use the stainless steel wire clamp (29) lock the trailer main line (27) on the track .



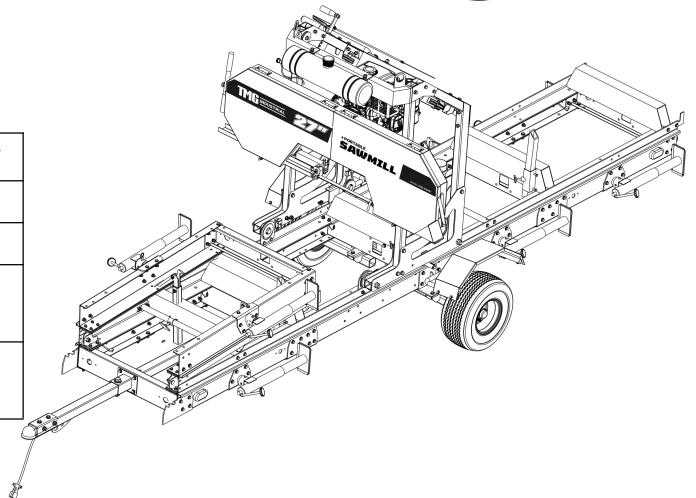


PART NO.	DESCRIPTION	QTY
25	12V-100-160X80 tail and stop light	2
26	12V-76-103X50 clearance lamp	2
28	12V-76-103X50 turn signal lamp	2
29	Stainless steel wire clamp	11
30	Cross pan head screw M5X8	11
31	Spring washer Ø5	11
32	Plain washer Ø5	11

9. When the sawmill needs to move, the user needs to move the saw head above the tire and lock the saw head on the track with the welding of rear anti roll transport hook (23) and the welding of front anti roll transport hook (24).

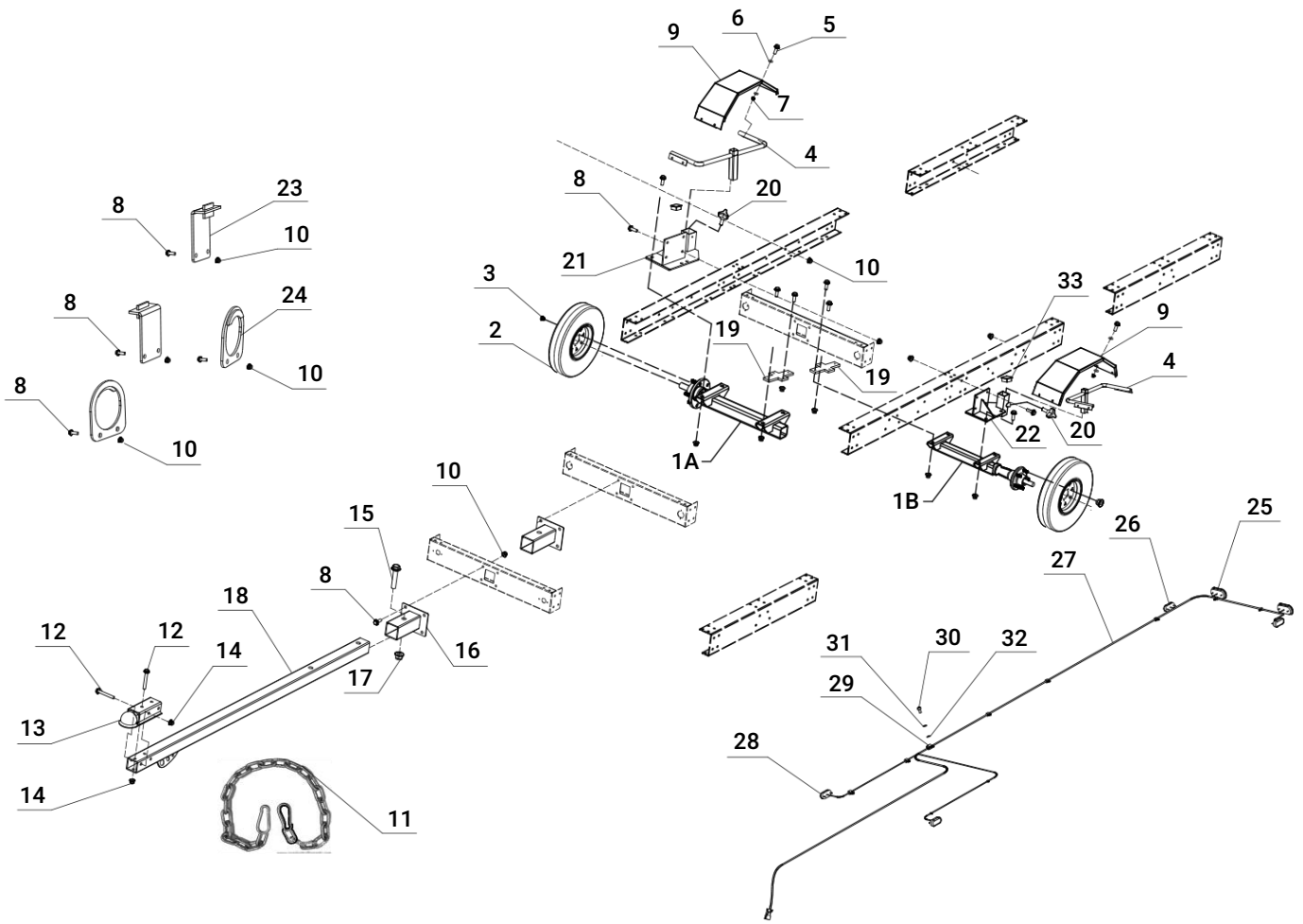


PART NO.	DESCRIPTION	QTY
8	Hexagonal flange bolt M10X30	8
10	Hexagon flange nuts M10	8
23	Welding of rear anti roll transport hook	2
24	Welding of front anti roll transport hook	2



When the sawmill needs to move, the user needs to move the saw head above the tire to lock the saw head on the track. In order to prevent the process of driving, because of the bumps in the road, the saw head will be shaken off from the track and fall. If the road conditions are very bad, you can use a ratchet tie down band to tie the saw head to the sub-frame.

PARTS BREAKDOWN

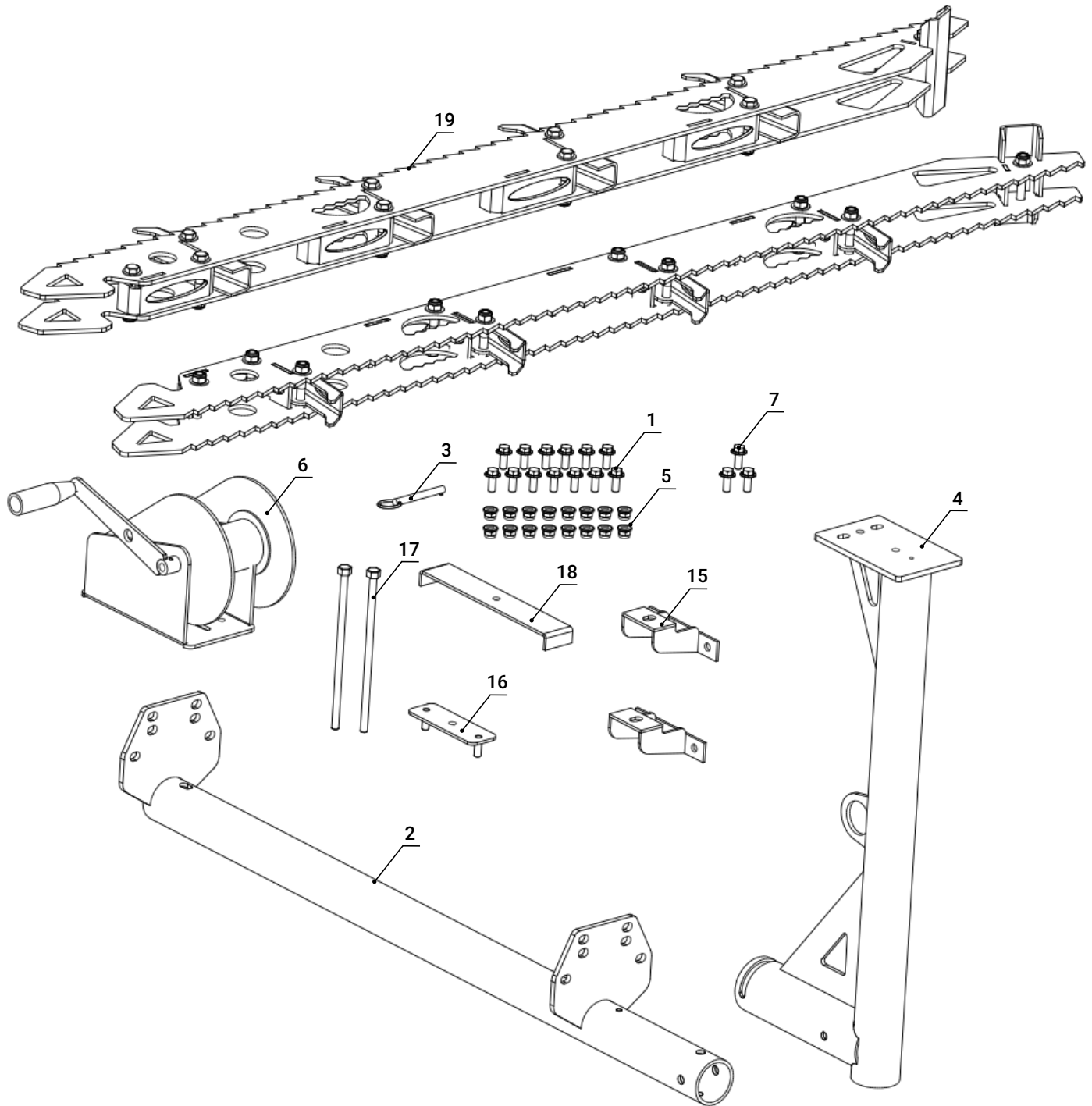


PART NO.	DESCRIPTION	QTY	PART NO.	DESCRIPTION	QTY
1A	Rubber torsion shaft 750KG (left)	1	17	Hexagon self-locking nut M20	2
1B	Rubber torsion shaft 750KG (right)	1	18	Welding of towing rod	1
2	Tire assembly 165/70R13 with DOT	2	19	Middle half shaft seat plate	2
3	Hub nut	10	20	Triangle handle M10X40X30	2
4	Mud tile frame welding	2	21	Heavy-duty half axle seat (left)	1
5	Hexagonal bolt M8X20	8	22	Heavy-duty half axle seat (right)	1
6	Plain washer Ø8	16	23	Welding of rear anti roll transport hook	2
7	Hexagon self-locking nut M8	8	24	Welding of front anti roll transport hook	2
8	Hexagonal flange bolt M10X30	38	25	12V-100-160X80 tail and stop light	2
9	Mudguard	2	26	12V-76-103X50 clearance lamp	2
10	Hexagon flange nut M10	38	27	Trailer main line	1
11	Anti detachment chain 5000 x100cm	1	28	12V-76-103X50 turn signal lamp	2
12	Hexagonal bolt M12X90	4	29	Stainless steel wire clamp	11
13	Trailer coupler 2"	1	30	Cross pan head screw M5X8	11
14	Hexagon flange nut M12	4	31	Spring washer Ø5	11
15	Hexagonal bolt M20X100	2	32	Plain washer Ø5	11
16	Welding of drag bar seat	2	33	40X40 square tube plug	2

3. TMG-PSM27-LRAMP LOG LOADING RAMP KIT

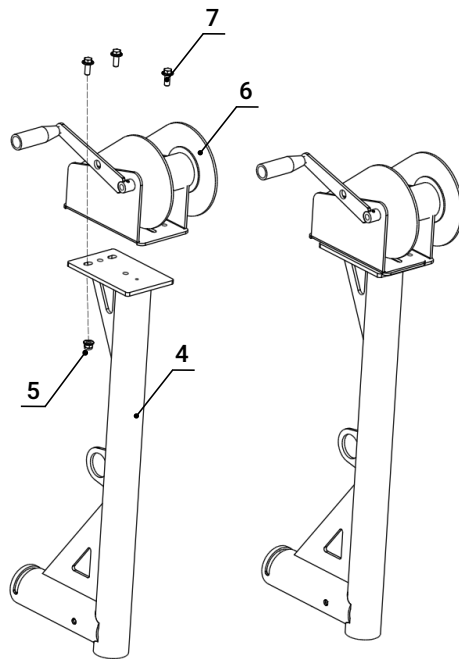
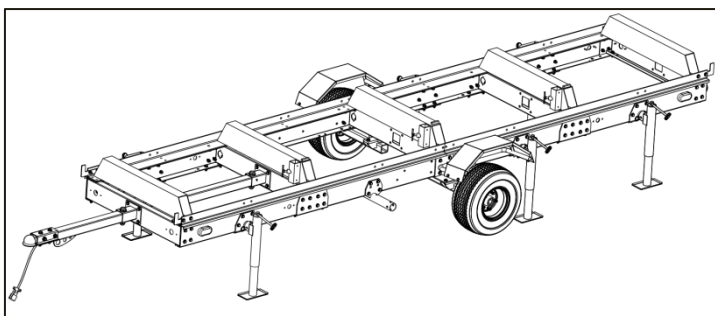
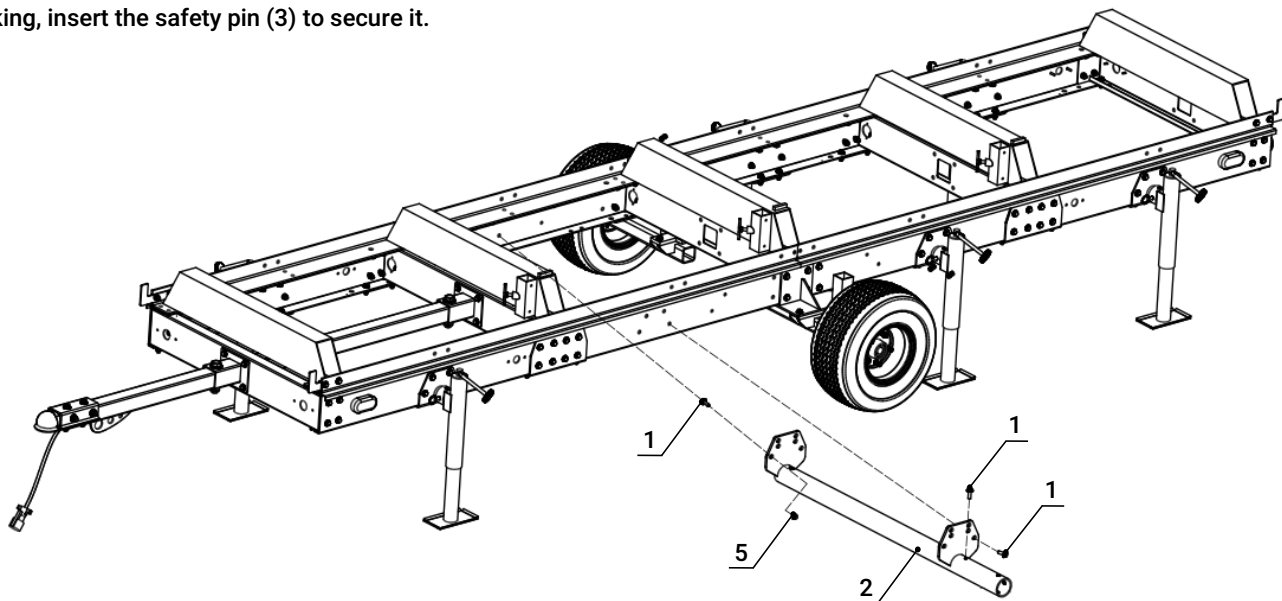
UNPACKING & ASSEMBLY

1. Check the following components after unpacking

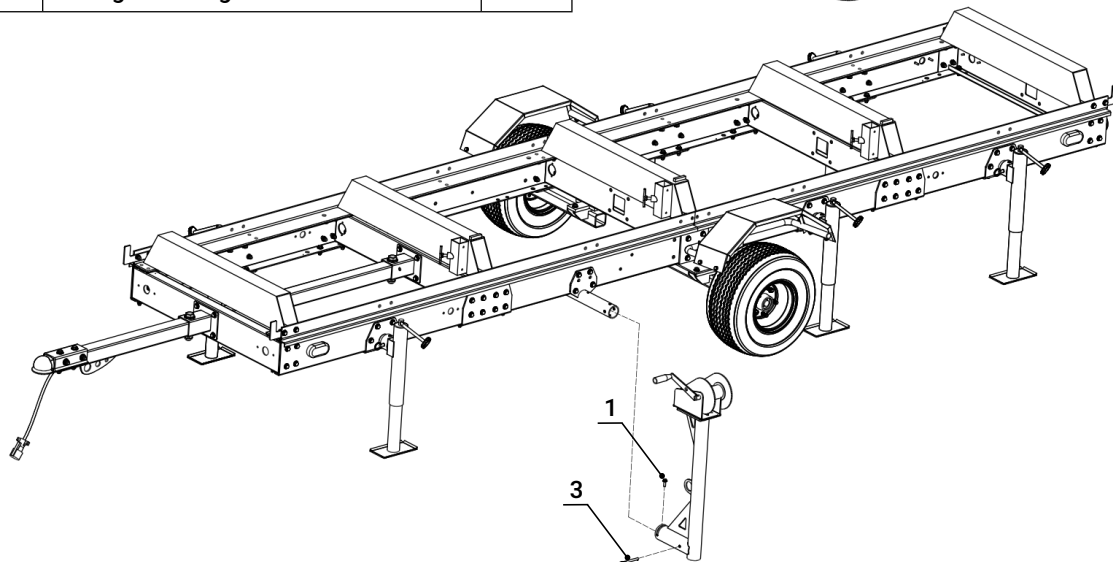


PART NO.	DESCRIPTION	QTY	PART NO.	DESCRIPTION	QTY
1	Hexagonal flange bolt M10X30	13	7	Hexagonal flange bolt M10X25	3
2	Welding of lower base of winch	1	15	Welding of ramp fixing frame	2
3	Safety pin Ø12X100	1	16	Ramp pressure plate welding	1
4	Winch upper base welding	1	17	Hexagonal bolt M10X240	2
5	Hexagon flange locking nut M10	16	18	Ramp pressure plate 2	1
6	Winch 2000 lb -40' steel wire rope	1	19	Ramp kit 70"	2

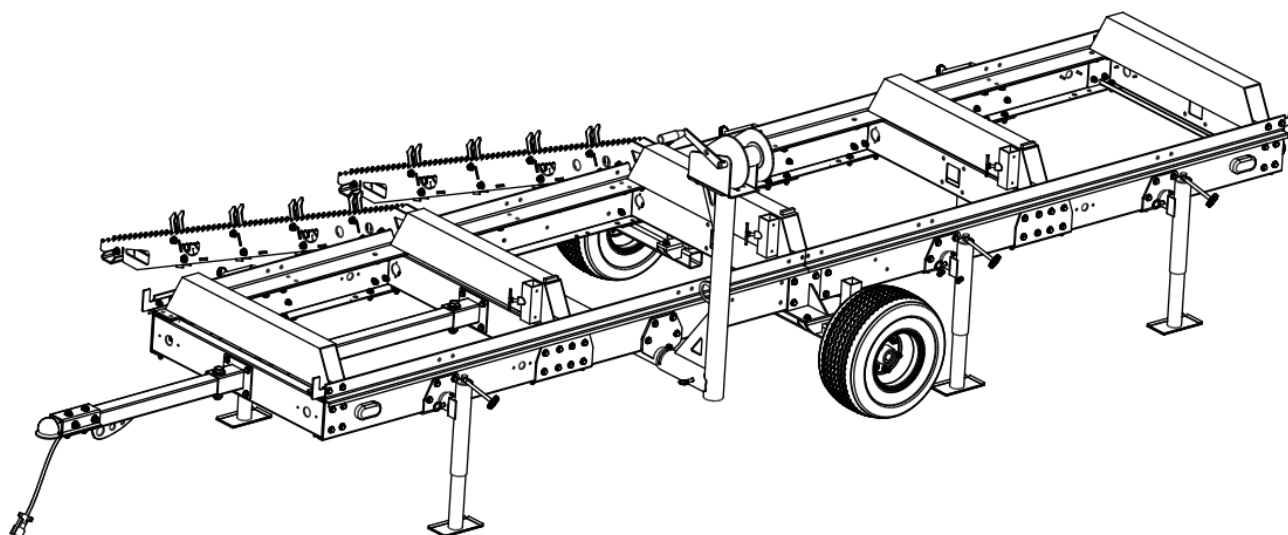
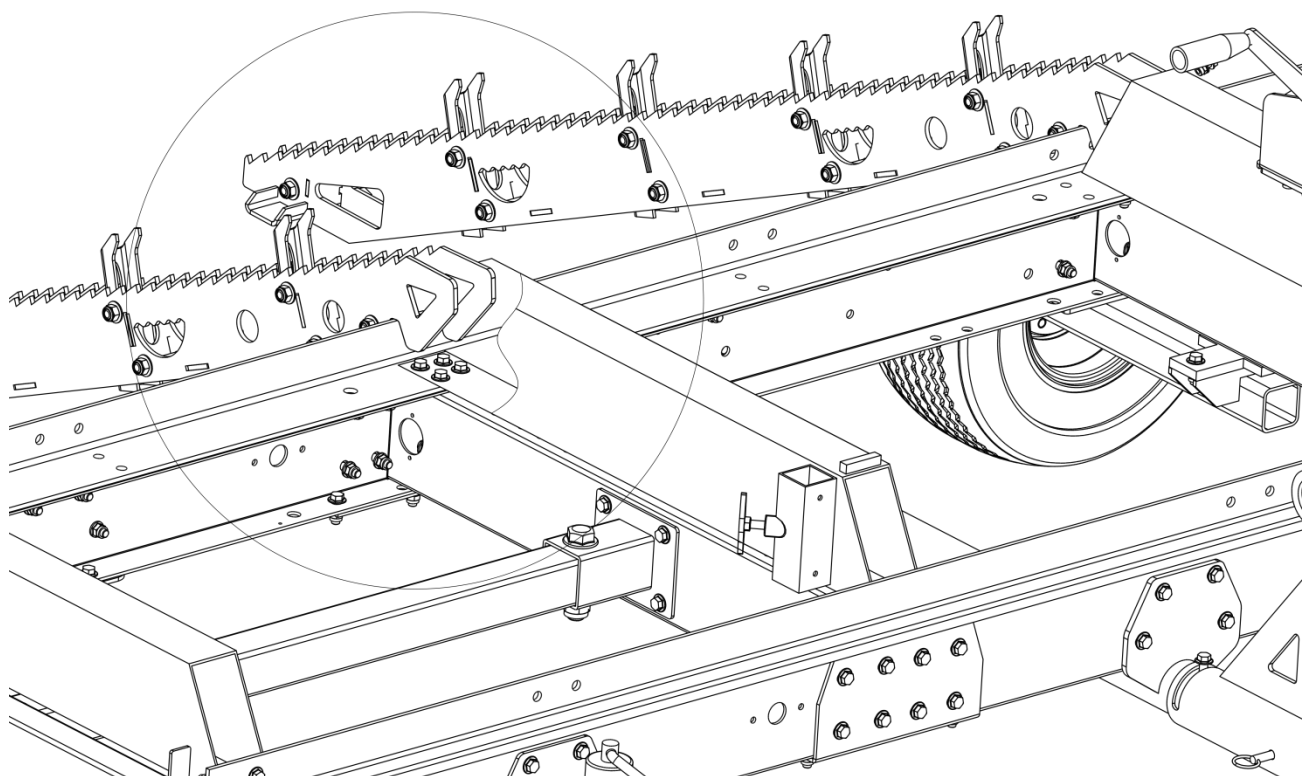
2. Install the welding of lower base of winch (2) on the sub-frame, use the hexagonal flange bolt (1) and the hexagon flange locking nut (5) locking. Install the winch (6) on the winch upper base welding (4), use the hexagonal flange bolt (7) and the hexagon flange locking nut (5) locking. Connect the winch assembly to the welding of lower base, use hexagonal flange bolt (1) locking, insert the safety pin (3) to secure it.



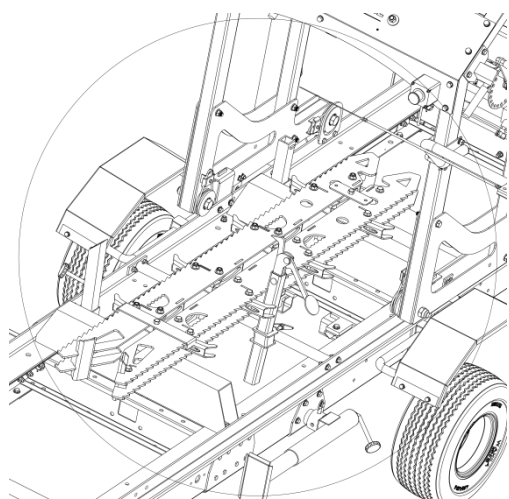
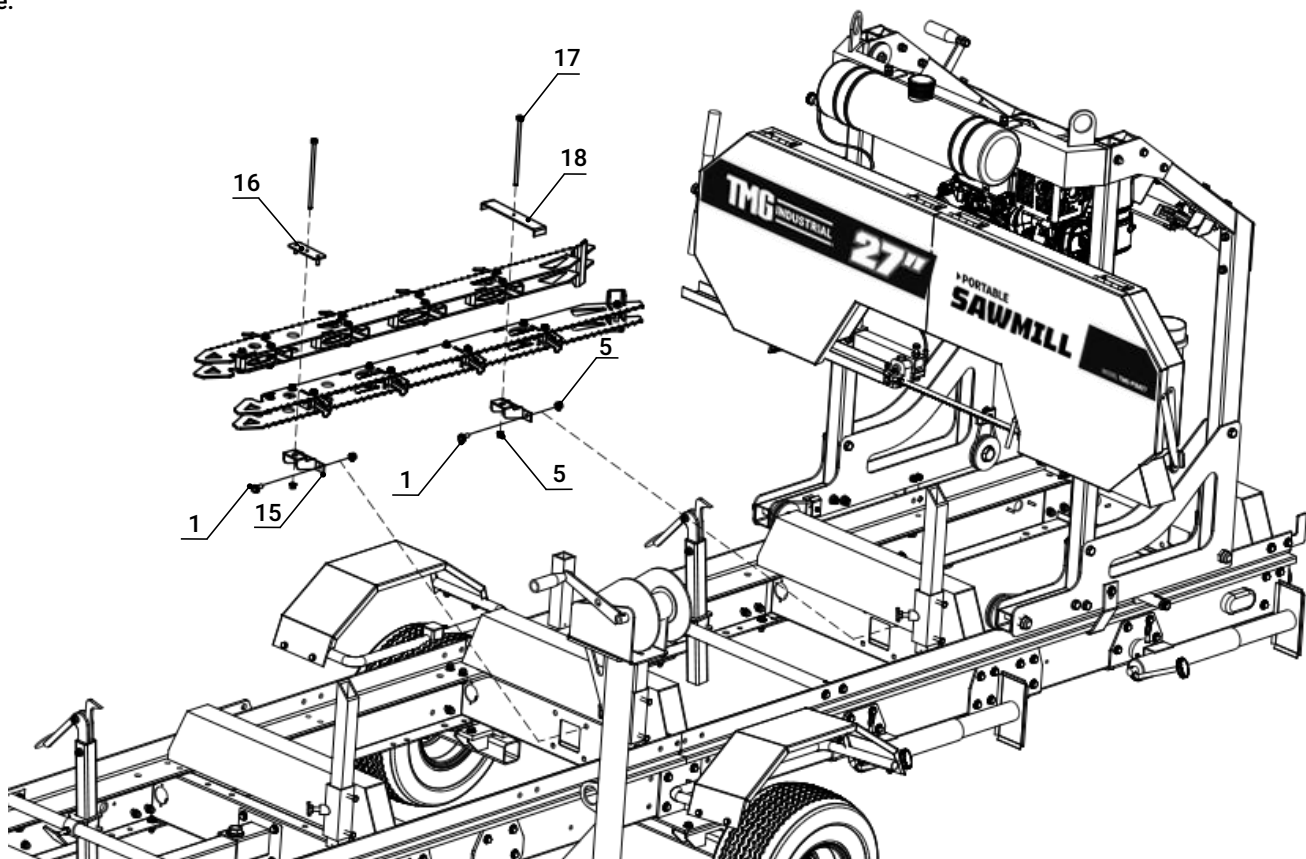
PART NO.	DESCRIPTION	QTY
1	Hexagonal flange bolt M10X30	9
2	Welding of lower base of winch	1
3	Safety pin Ø12X100	1
4	Winch upper base welding	1
5	Hexagon flange locking nut M10	10
6	Winch 2000 lb -40' steel wire rope	1
7	Hexagonal flange bolt M10X25	3



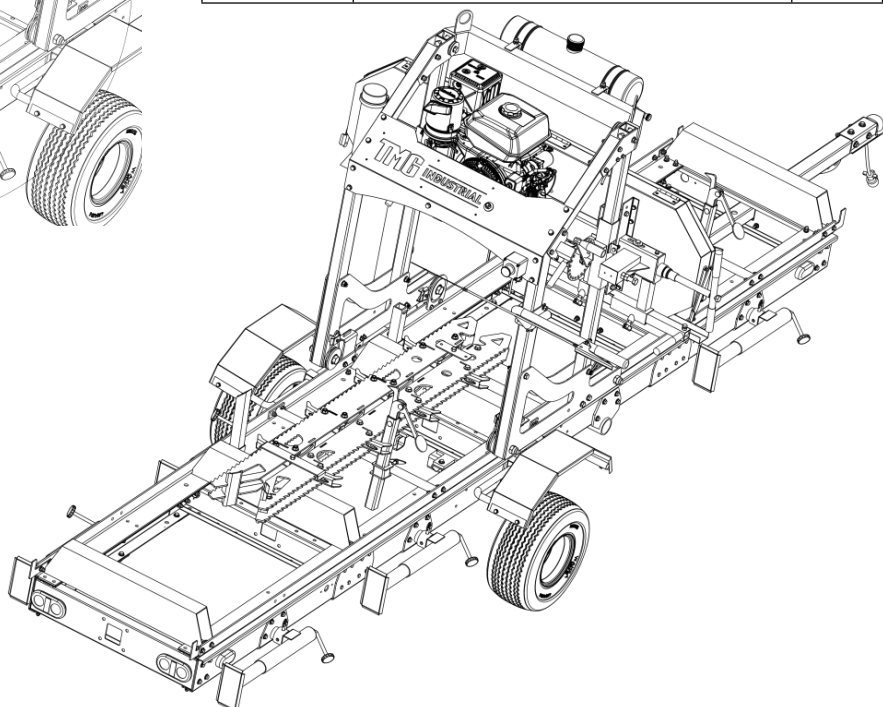
3. Install the ramp onto the machine, it is necessary to insert the ramp into the guide rail beam, as shown in the figure.



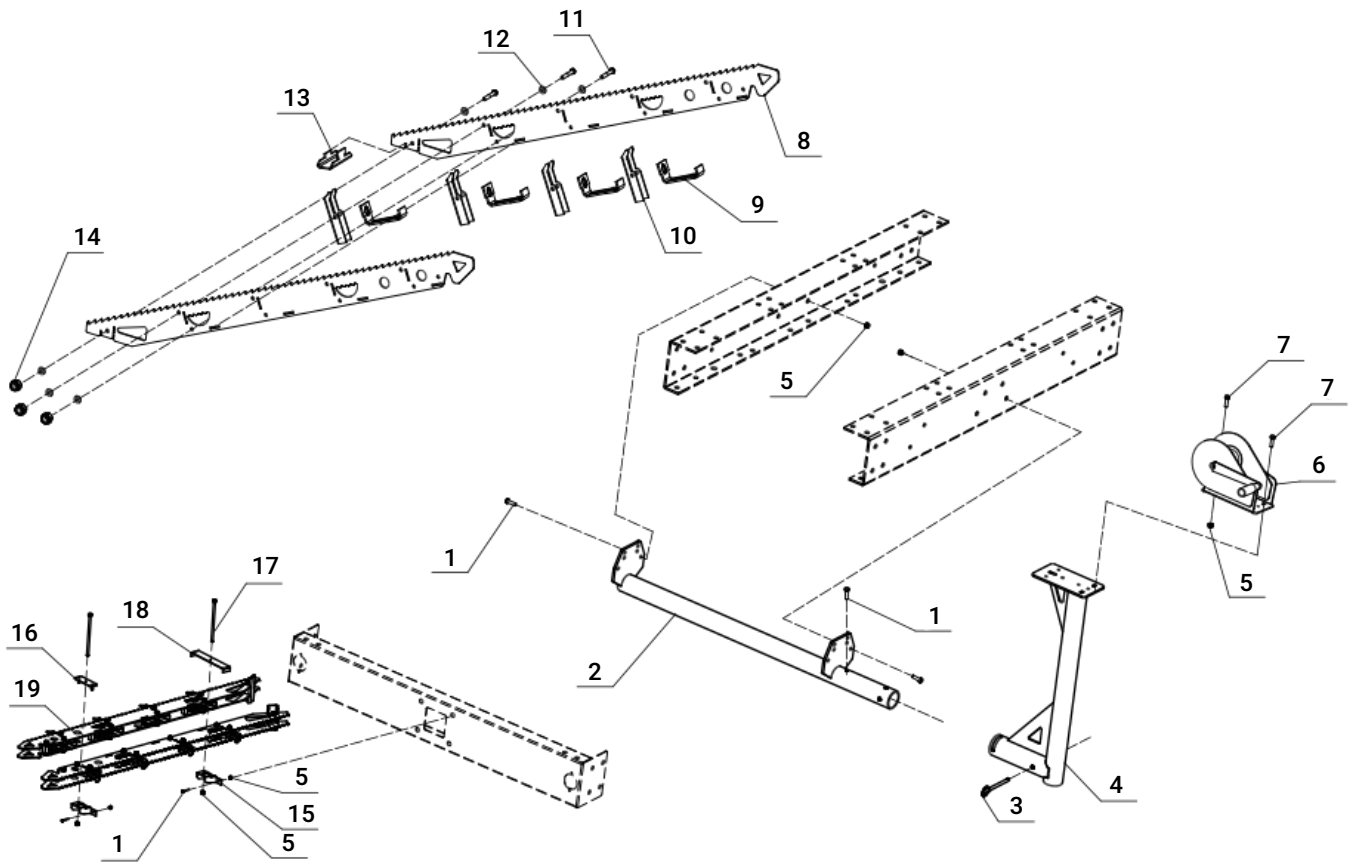
4. When moving the sawmill, the ramp can be fixed to the sub-frame. First you need to install the welding of ramp fixing frame (15) to the middle crossbeam, use the hexagonal flange bolt (1) and the hexagon flange locking nut (5) locking, and then use the ramp pressure plate welding (16), the hexagonal bolt (17) and the ramp pressure plate 2 (18) to secure the ramp to the sub-frame.



PART NO.	DESCRIPTION	QTY
1	Hexagonal flange bolt M10X30	4
5	Hexagon flange locking nut M10	6
15	Welding of ramp fixing frame	2
16	Ramp pressure plate welding	1
17	Hexagonal bolt M10X240	2
18	Ramp pressure plate 2	1



PARTS BREAKDOWN

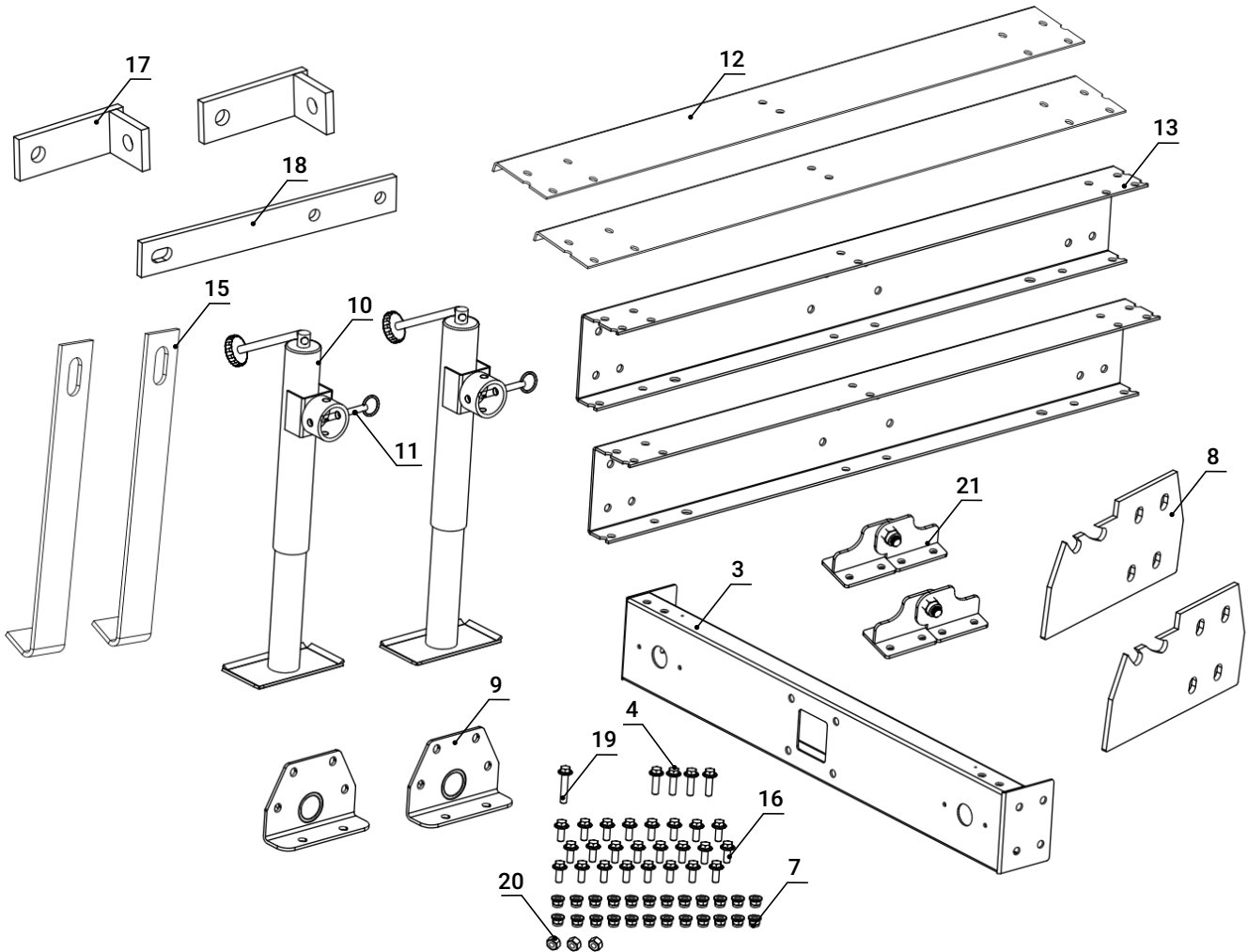


PART NO.	DESCRIPTION	QTY	PART NO.	DESCRIPTION	QTY
1	Hexagonal flange bolt M10X30	13	11	Hexagonal bolt M12X70	20
2	Welding of lower base of winch	1	12	Plain washer Ø12	1
3	Safety pin Ø12X100	1	13	Ramp Footing	2
4	Winch upper base welding	1	14	Hexagon lock nut M12	20
5	Hexagon flange locking nut M10	16	15	Welding of ramp fixing frame	2
6	Winch 2000 lb -40' steel wire rope	1	16	Ramp pressure plate welding	1
7	Hexagonal flange bolt M10X25	3	17	Hexagonal bolt M10X240	2
8	Heavy duty ramp main rail	4	18	Ramp pressure plate 2	1
9	Ramp main rail support	8	19	Ramp kit 70"	2
10	Roll over support	8			

4. TMG-PSM27-SFRAME-4EX 4' SUB-FRAME EXTENSION

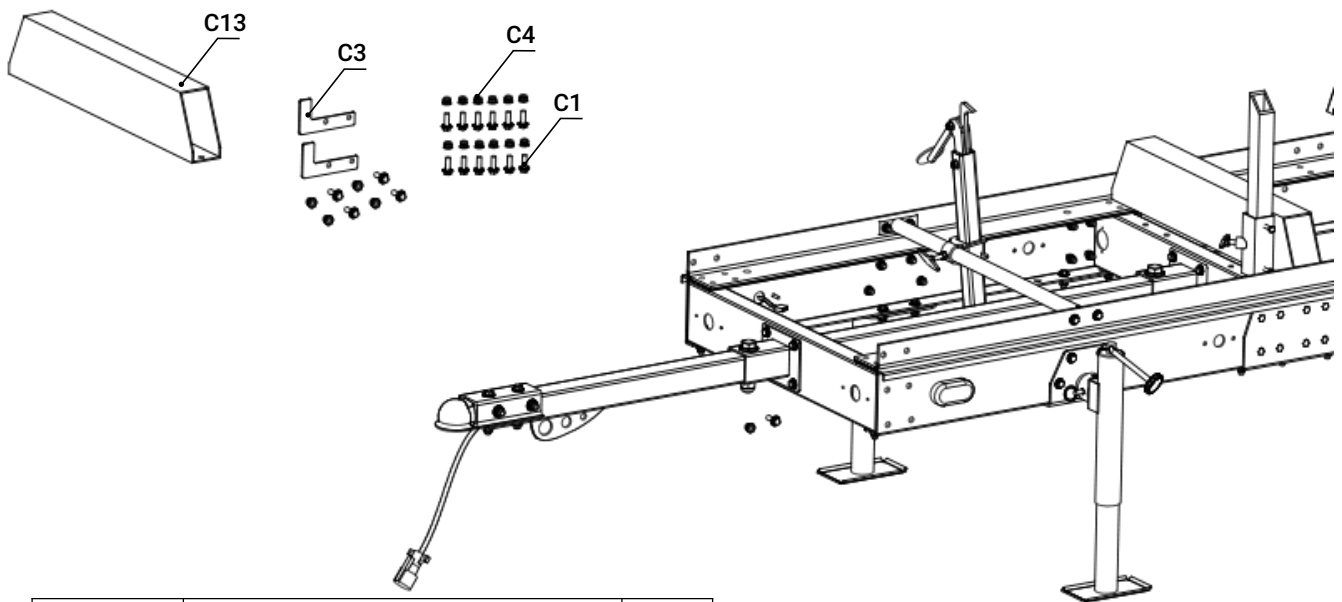
UNPACKING & ASSEMBLY

1. Check the following components after unpacking

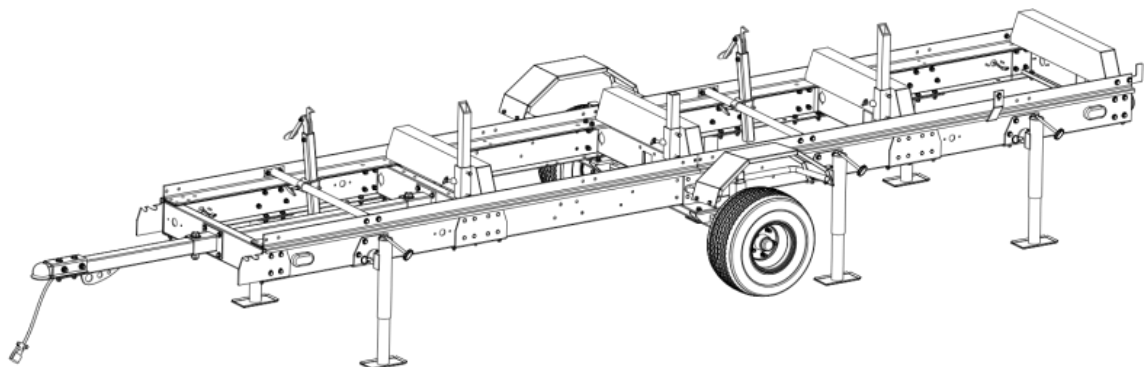
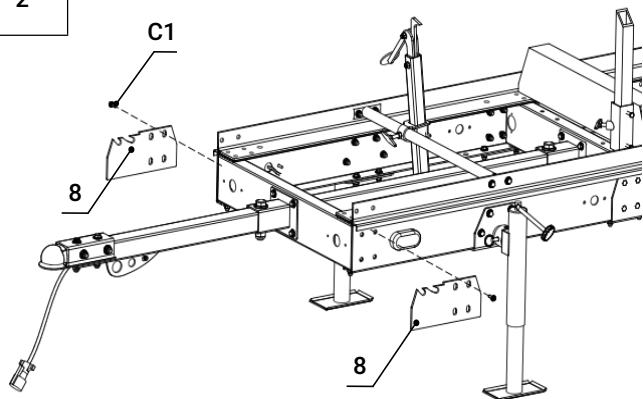


PART NO.	DESCRIPTION	QTY	PART NO.	DESCRIPTION	QTY
3	Front and rear crossbeams	1	13	1.2 meter guide rail beam	2
4	Hexagonal flange bolt M10X35	4	15	Flip fixed hook	2
7	Hexagon flange locking nut M10	26	16	Hexagonal flange bolt M10X30	24
8	Trailer extension rail reinforcement plate	2	17	Adjusting tool tension plate welding	2
9	Jack seat welding	2	18	Adjusting the tool base plate	1
10	Trailer jack 2000lb	2	19	Hexagonal bolt M10X45	1
11	Safety pin	2	20	Hexagon nut M10	3
12	1.2 meter anti roll plate	2	21	Hinge assembly	2

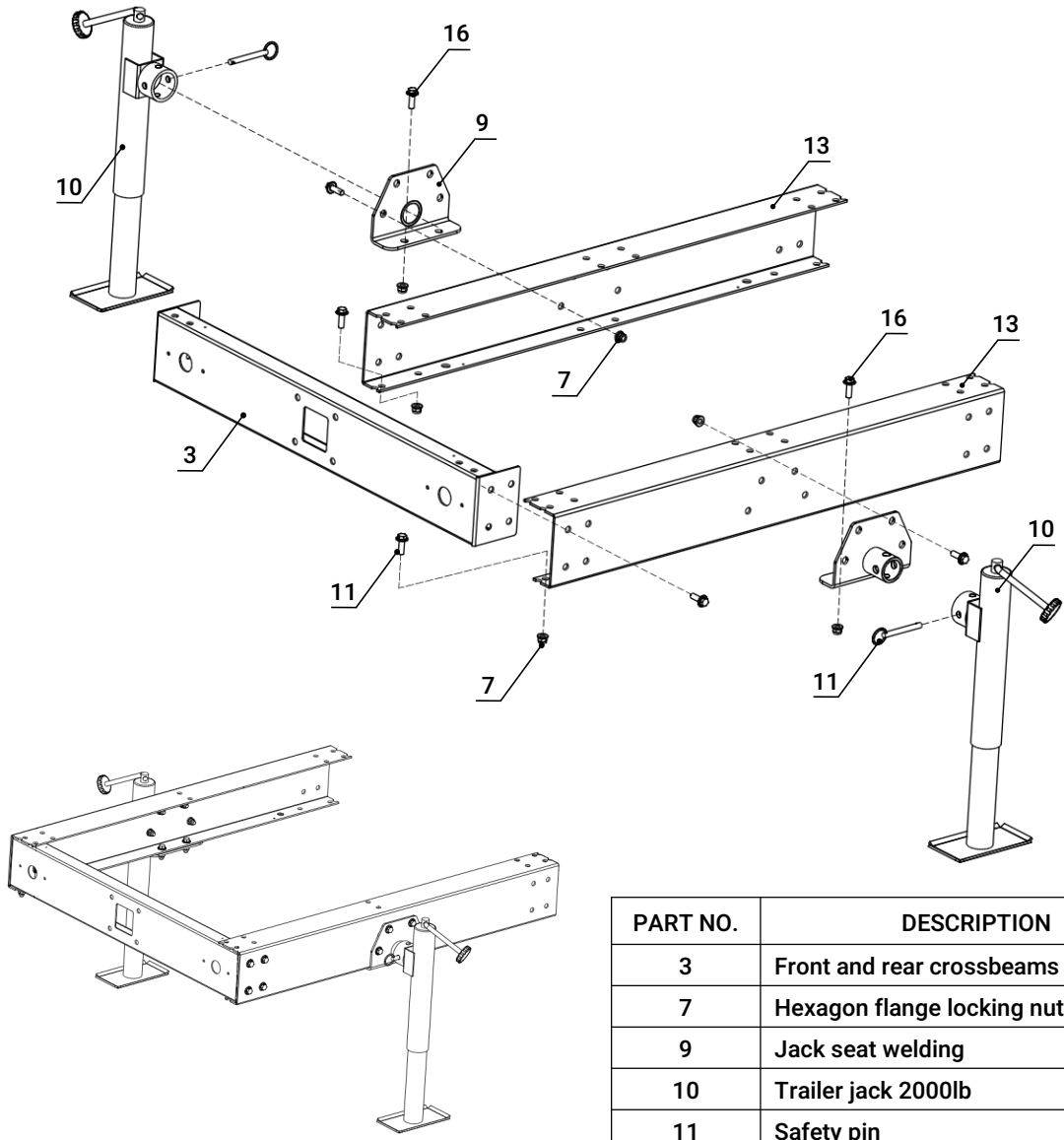
2. Remove the limit plate (C3) , guide rail beam (C13) from the PRIMARY SUB-FRAME of TMG-PSM27 and tidy up all fittings for installation. Install the trailer extension rail reinforcement plate (8), use the hexagon flange bolts (C1) and hexagon flange self-locking nut (C4) from PRIMARY SUB-FRAME of TMG-PSM27. The correct installation position is shown in the figure below.



PART NO.	DESCRIPTION	QTY
8	Trailer extension rail reinforcement plate	2



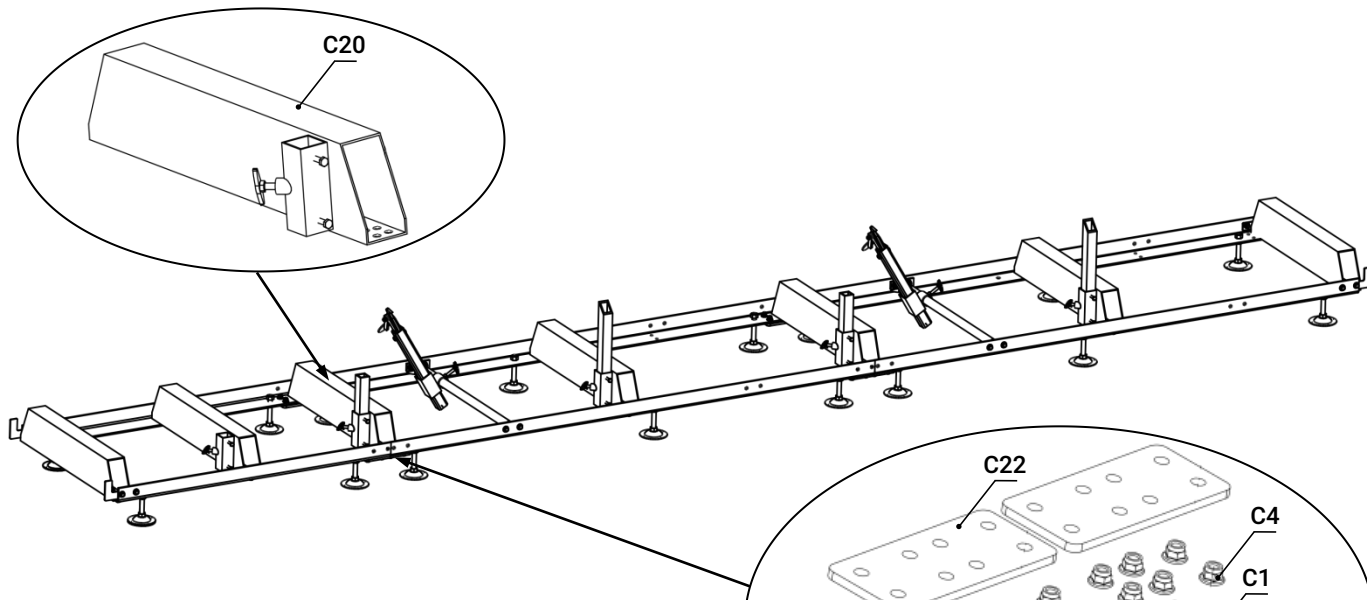
3. Use hexagonal flange bolt (9) and hexagonal flange nuts (7) install the guide rail beam (13), the front and rear crossbeam (14) the jack seat welding (11) and trailer jacks (10),



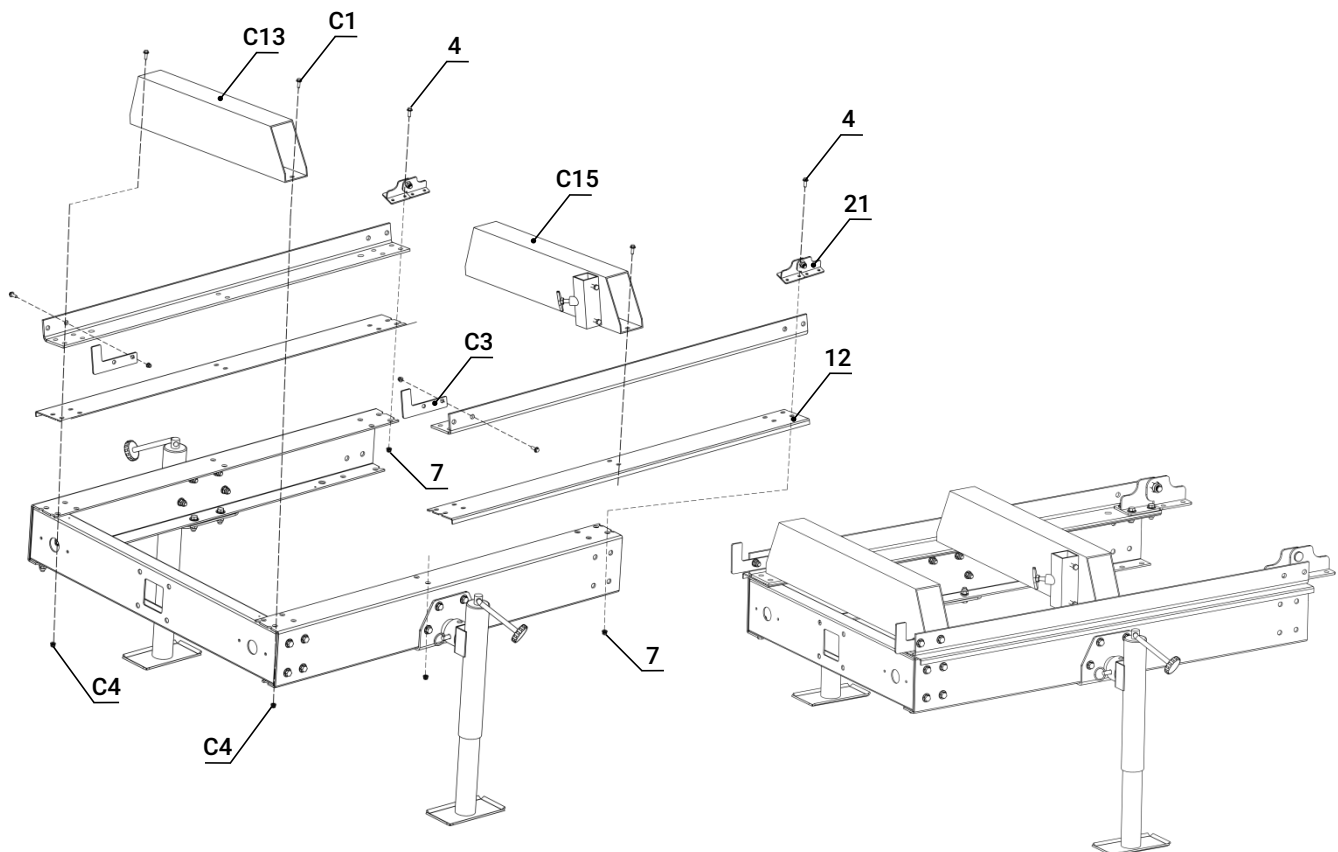
PART NO.	DESCRIPTION	QTY
3	Front and rear crossbeams	1
7	Hexagon flange locking nut M10	24
9	Jack seat welding	2
10	Trailer jack 2000lb	2
11	Safety pin	2
13	1.2 meter guide rail beam	2
16	Hexagonal flange bolt M10X30	24

4. Remove the track system from the TRACK EXTENSION KIT of TMG-PSM26/27-4EX and tidy up all fittings for installation. Install the guide rail (C2), limit plate (C3), guide rail beam (C13, C15) and anti roll plate(12) on the sub-frame extension. Use the hexagon flange bolts (C1) and hexagon flange self-locking nut (C4) from TRACK EXTENSION KIT of TMG-PSM27-4EX. The correct installation position is shown in the figure below.

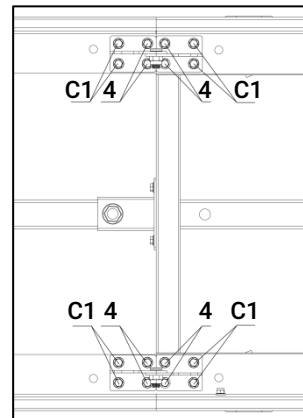
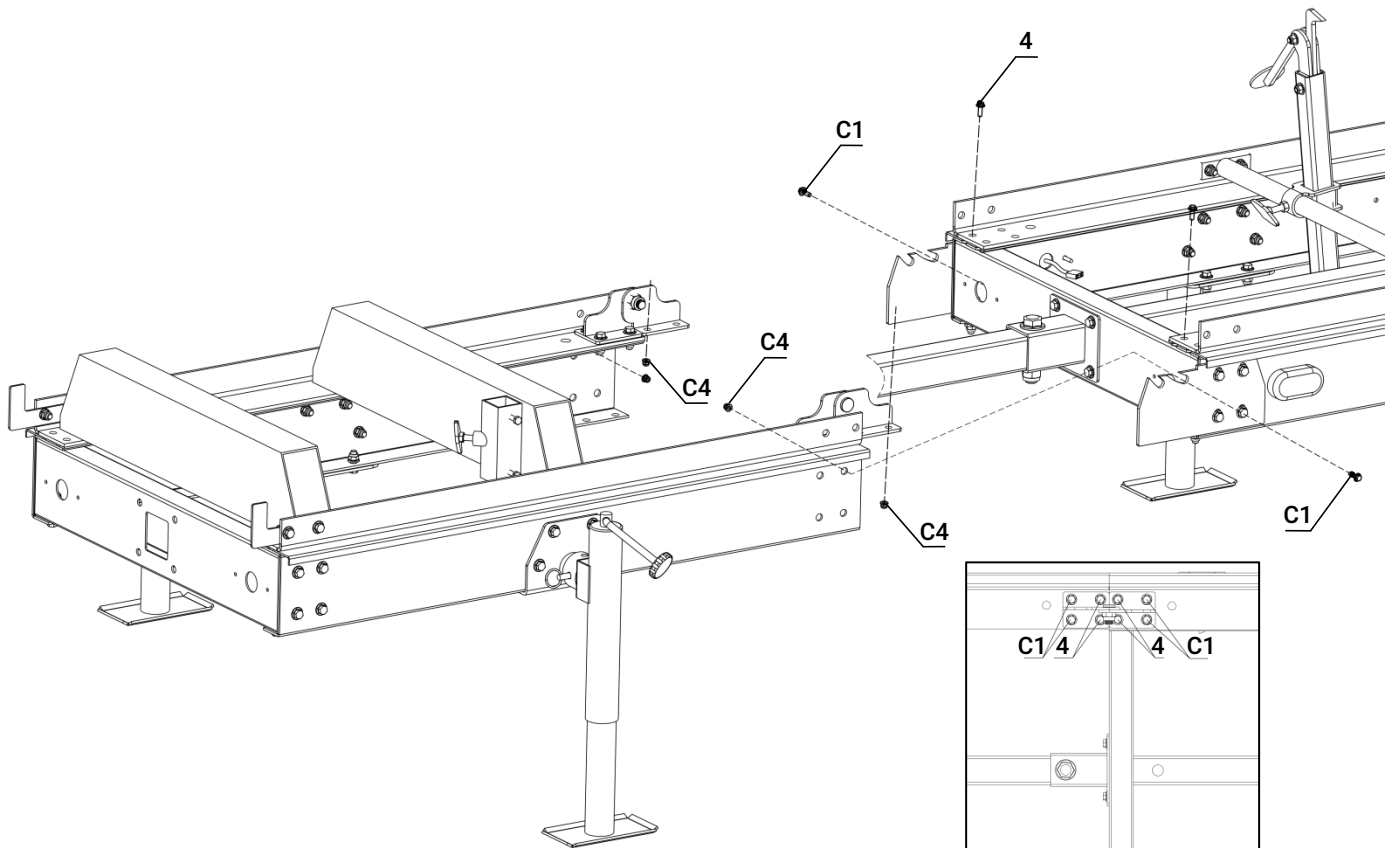
Note: Remove the track system, the four-hole guide rail beam (C20) and the rail connecting plate (C22) will not be used. The customer need to keep them separately.



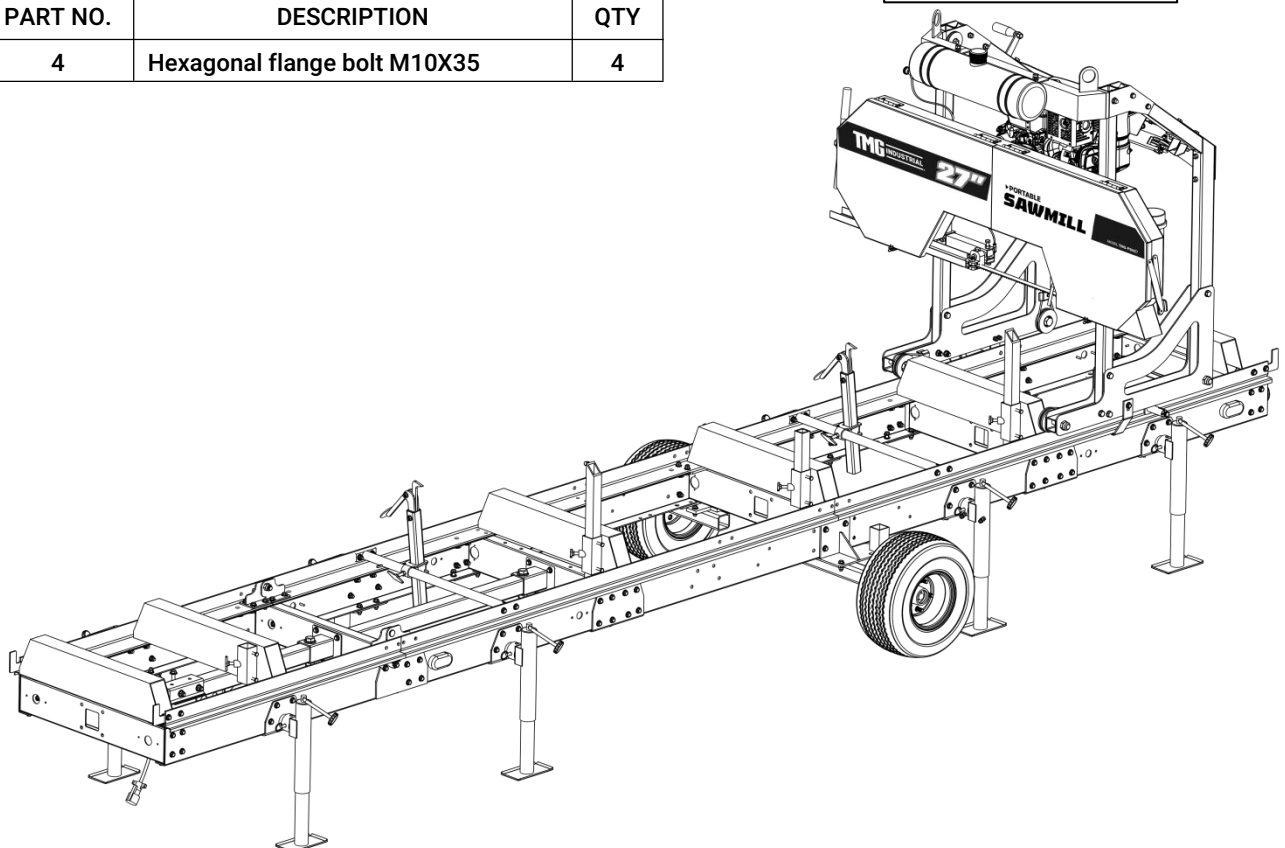
PART NO.	DESCRIPTION	QTY
4	Hexagonal flange bolt M10X35	4
7	Hexagon flange locking nut M10	4
12	1.2 meter anti roll plate	2
21	Hinge assembly	2



5. Use the hexagonal flange bolt (4, C1) and the hexagonal flange nuts (7,C4) contact the guide rail beam assembly on the trailer extension rail reinforcement plate(8).

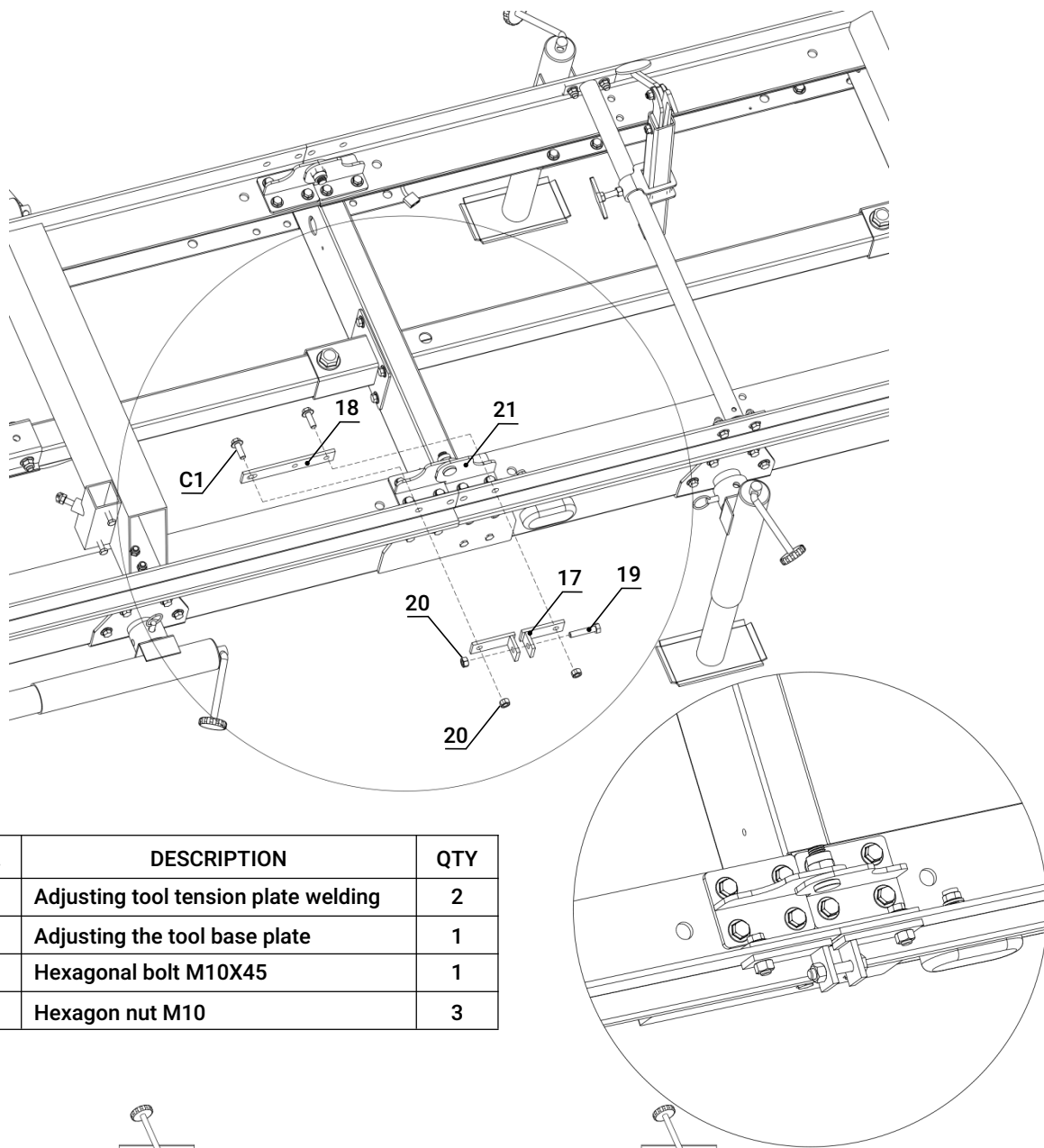


PART NO.	DESCRIPTION	QTY
4	Hexagonal flange bolt M10X35	4

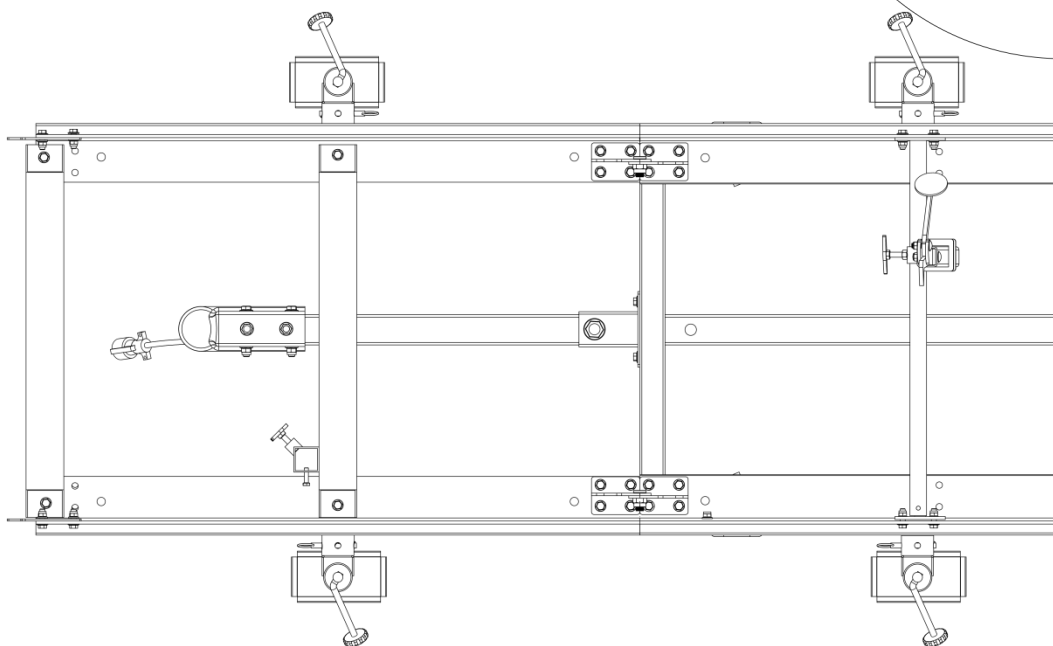


After installing all components, check and lock all bolts and nuts, then adjust the trailer jacks, and check the straight and level of the track, methods refer to the manual of TMG-PSM27 for details.

6. When the jack can't adjust the straight and lever of the track, slightly loosen hexagonal flange nuts (C4) on the hinge assembly (21), install the adjusting tool tension plate welding (17), adjusting the tool base plate (18), the hexagonal bolt (19) and the hexagon nut (20) to the track, adjust by locking the hexagonal bolt (19 or C1), lock the hexagonal flange nuts (C4) on the hinge assembly (21) after the adjustment is completed, and finally remove the adjustment assembly.

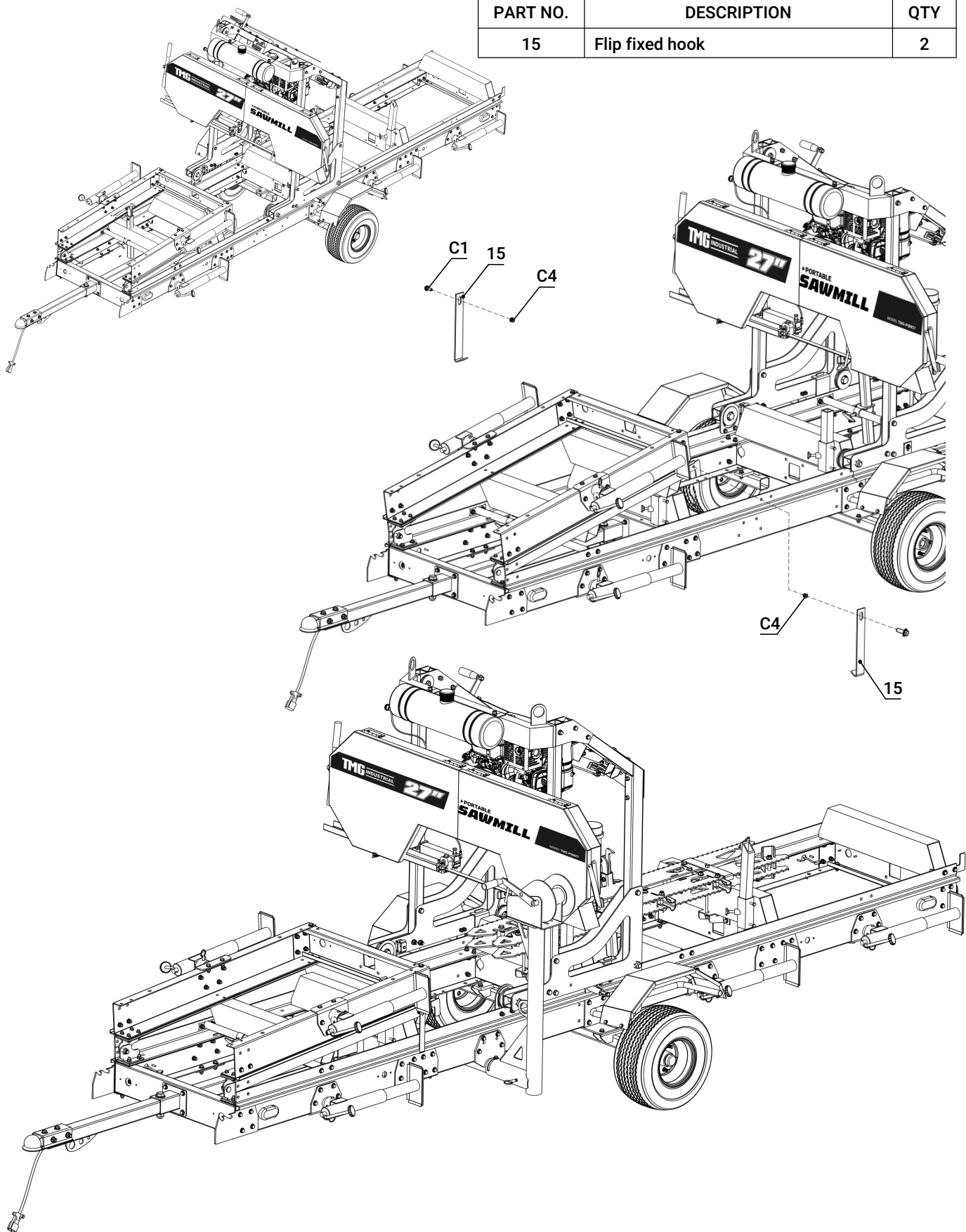


PART NO.	DESCRIPTION	QTY
17	Adjusting tool tension plate welding	2
18	Adjusting the tool base plate	1
19	Hexagonal bolt M10X45	1
20	Hexagon nut M10	3

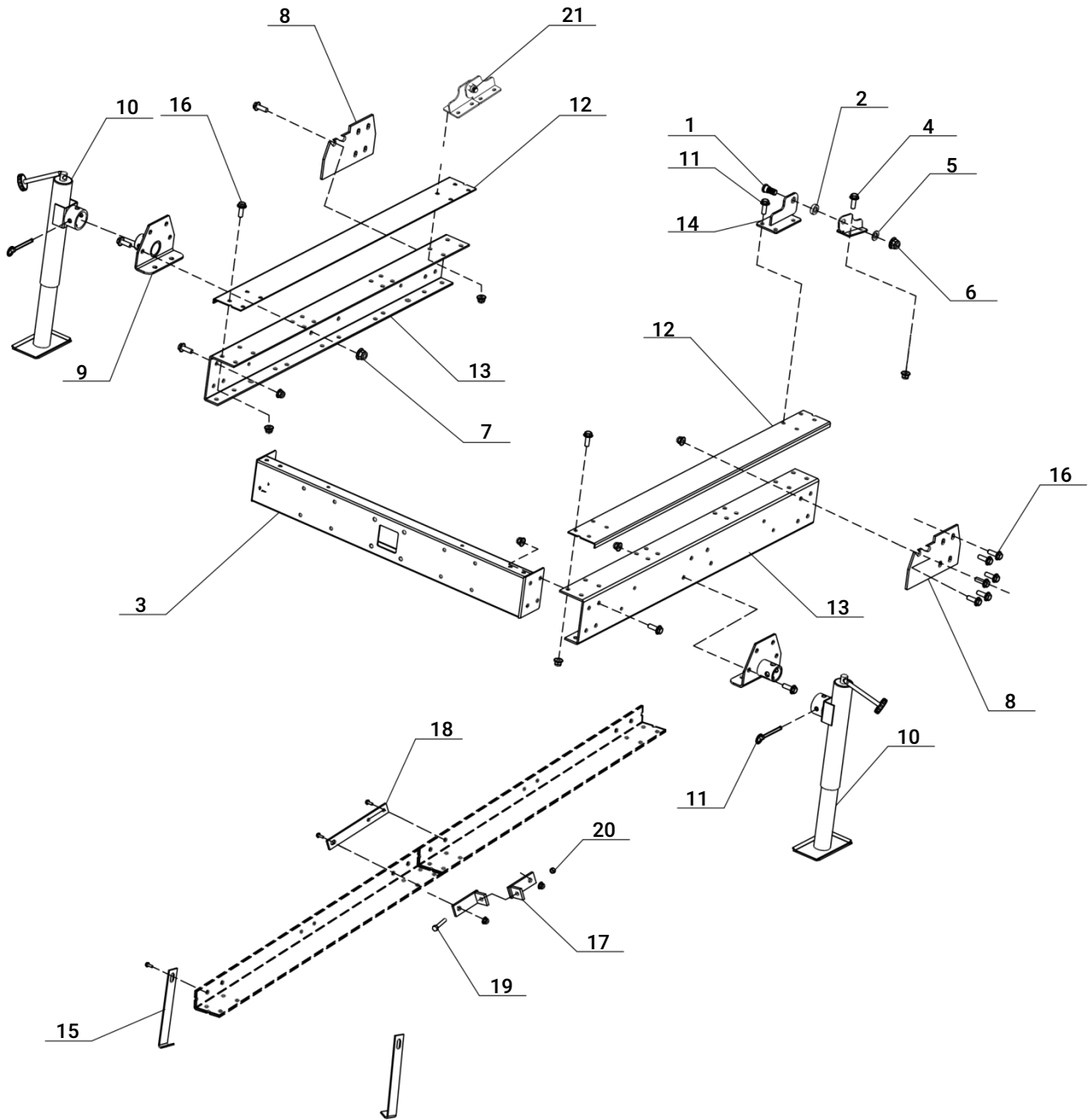


7. Foldable design to reduce the length of the trailer on transit. When moving the sawmill, In order to prevent the process of driving, because of the bumps in the road, We need to lock sub-frame extension and sub-frame together. You need install the flip fixed hook (15), use the hexagonal flange bolt (C1) and the hexagon flange locking nut (C5) locking.

PART NO.	DESCRIPTION	QTY
15	Flip fixed hook	2

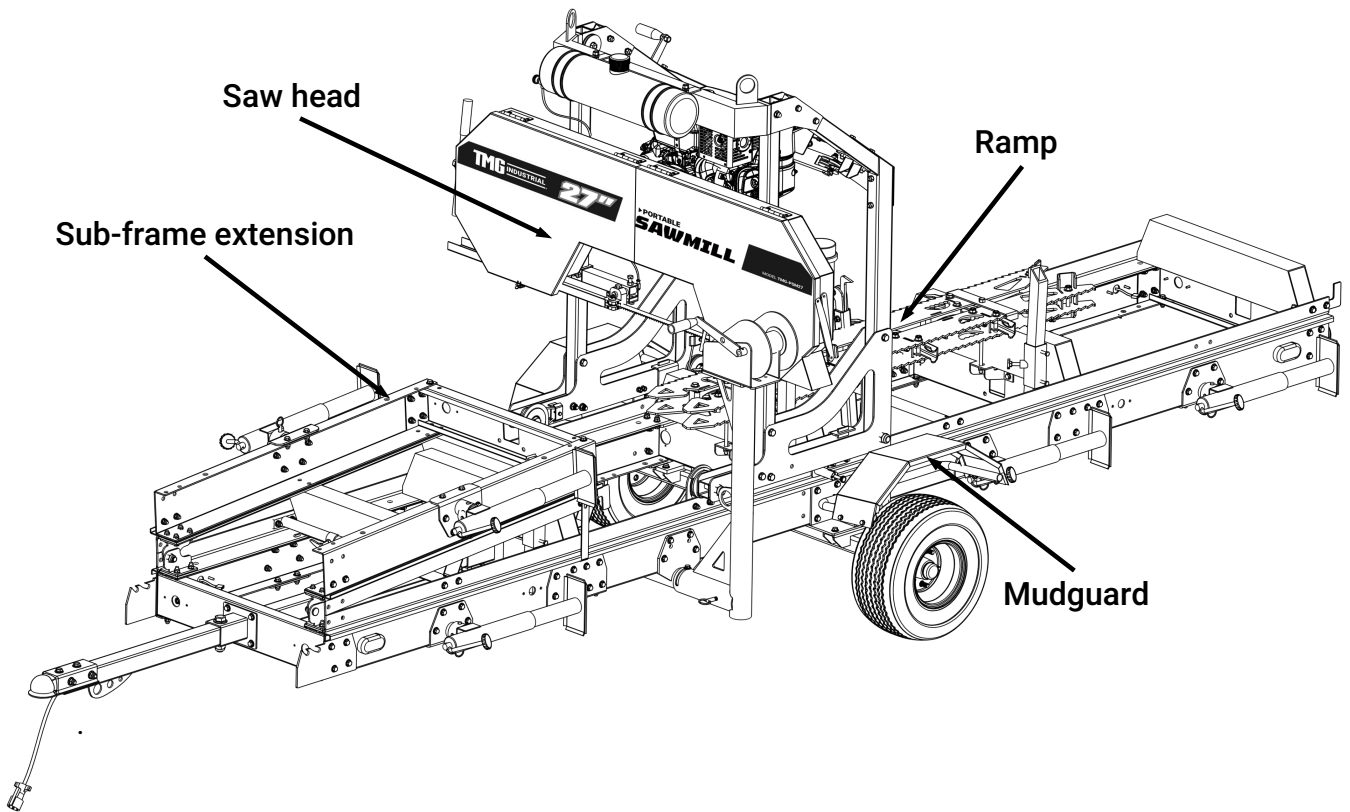


PARTS BREAKDOWN



PART NO.	DESCRIPTION	QTY	PART NO.	DESCRIPTION	QTY
1	Hexagonal bolt M16X30	2	12	1.2 meter anti roll plate	2
2	Rotating sleeve 20X16X10.0	2	13	1.2 meter guide rail beam	2
3	Front and rear crossbeams	1	14	Welding of extension guide rail rotating seat	4
4	Hexagonal flange bolt M10X35	4	15	Flip fixed hook	2
5	Plain washer Ø16	2	16	Hexagonal flange bolt M10X30	24
6	Hexagon lock nut M16 with non-metallic insert	2	17	Adjusting tool tension plate welding	2
7	Hexagon flange locking nut M10	26	18	Adjusting the tool base plate	1
8	Trailer extension rail reinforcement plate	2	19	Hexagonal bolt M10X45	1
9	Jack seat welding	2	20	Hexagon nut M10	3
10	Trailer jack 2000lb	2	21	Hinge assembly (include #1,2,3,5,6)	2
11	Safety pin	2			

INSPECTION/MAINTENANCE



During moving, it is necessary to use the components shown in the figure to secure the saw head to the sub-frame equipment.

GENERAL MAINTENANCE

1. Must be Inspected annually by a licensed mechanic for Registration
2. Check the tires before all trips. Make sure they are inflated to the pressure shown on the tire.
3. Grease the axle bearings every 3 months or 1000 miles (1600km), whichever comes first.
4. Check the tow hitch ball coupler. Make sure it is not damaged.
5. Check the wheel lug nuts before all trips. Make sure they are torqued properly.
6. Check the lights. Make sure the lights work properly. Replace any lights that do not work.
7. Inspect trailer before all trips for any damaged or loose parts.