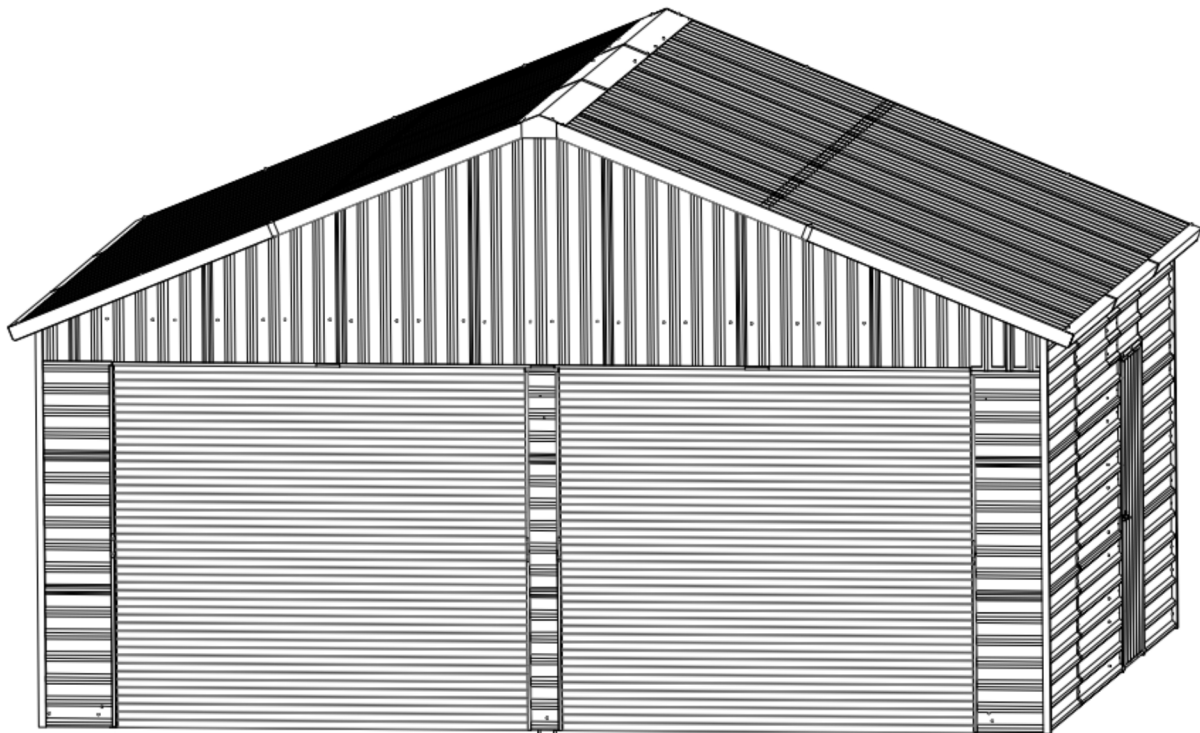


ELECTRIC ROLLER DOOR

Model:TMG-MS2119-RD100



- Please read the product manual completely before assembly
- Check against the parts list to make sure all parts are received
- Wear proper safety goggles or other protective gears while in assembly

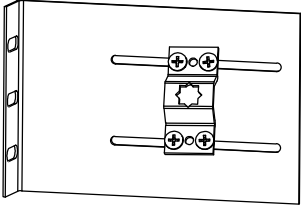
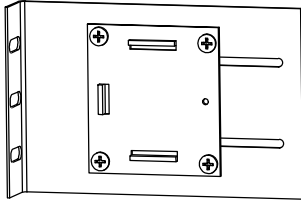


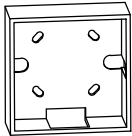
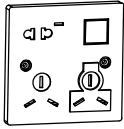

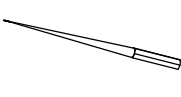
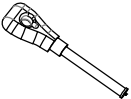

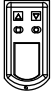
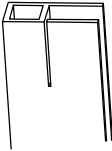
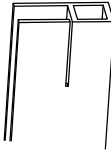


Missing parts or questions on assembly?

Please call: 1-877-761-2819 or email: cs@tmgindustrial.com

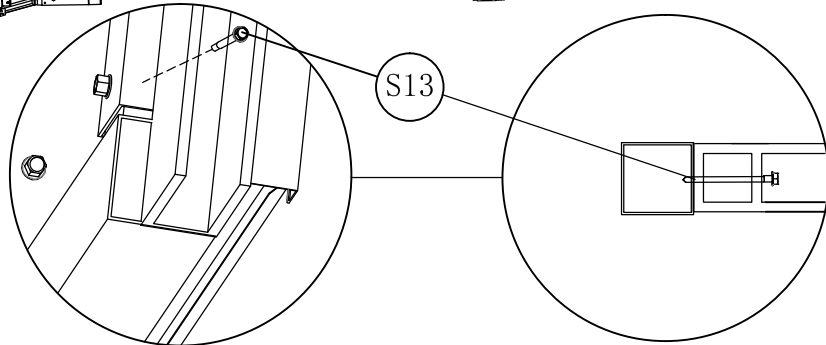
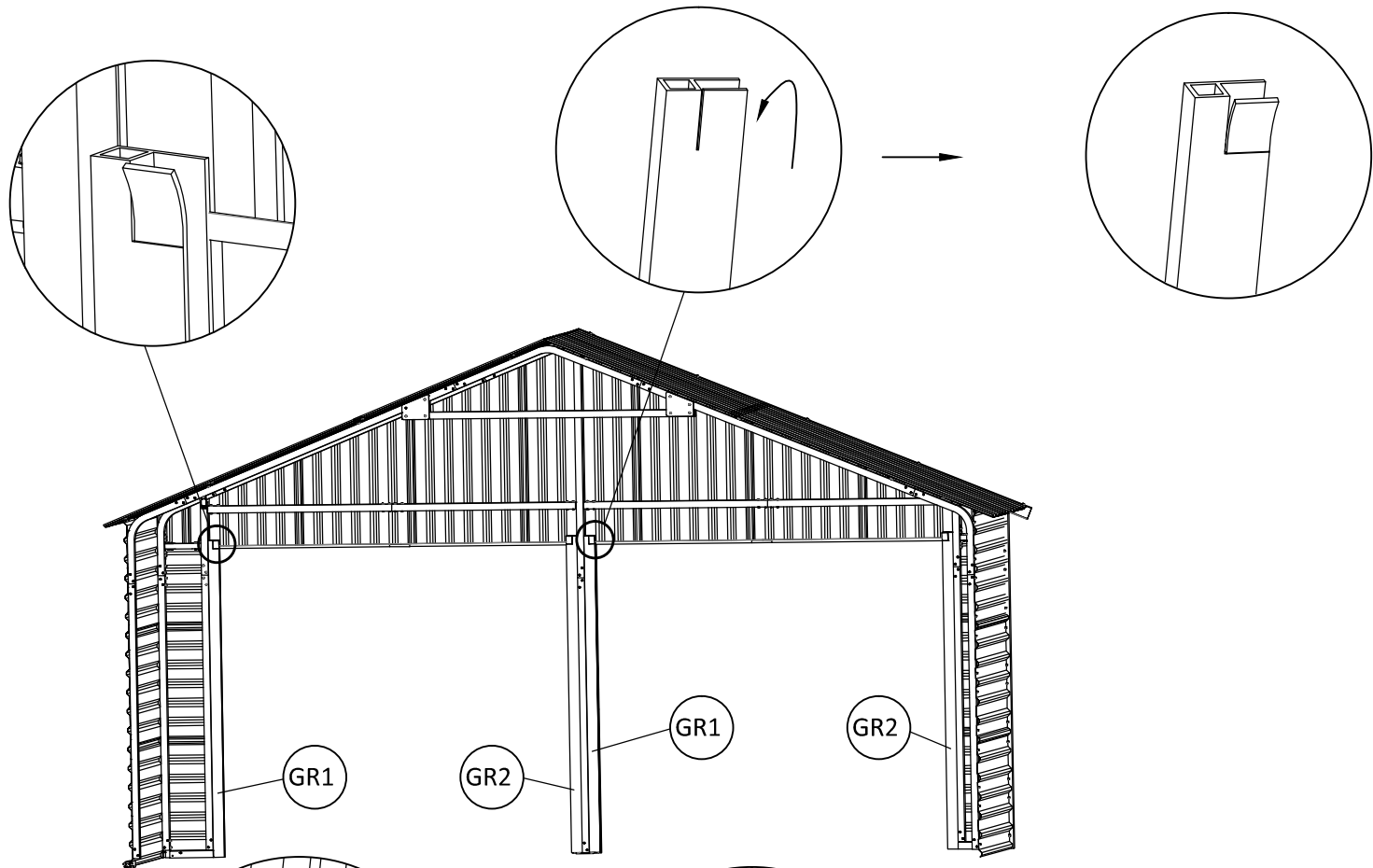
Do not return the product to dealer, they are not equipped to handle your requests

ASSEMBLY OF ROLLER DOOR

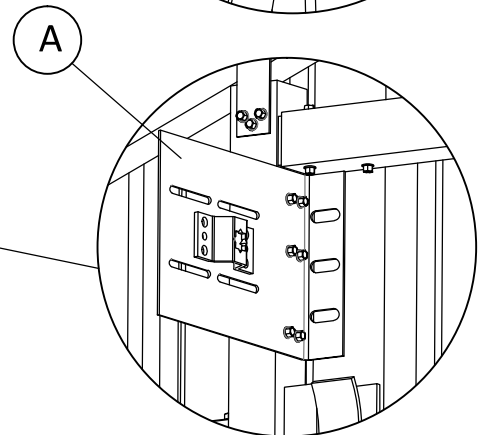
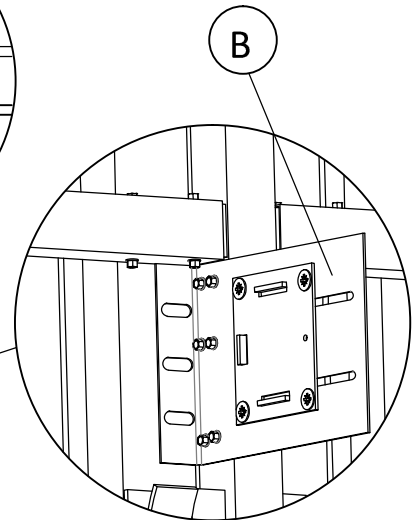
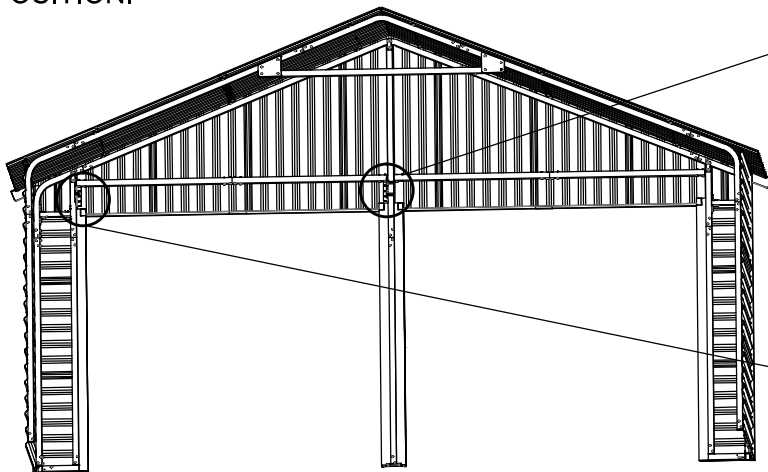
ASSEMBLY OF THE DOOR MAY REQUIRE THE FOLLOWING PARTS

						
A		B				
						
C	D	E	F	H	I	J
						
K		L	GR1	GR2		
						
S12	S13					

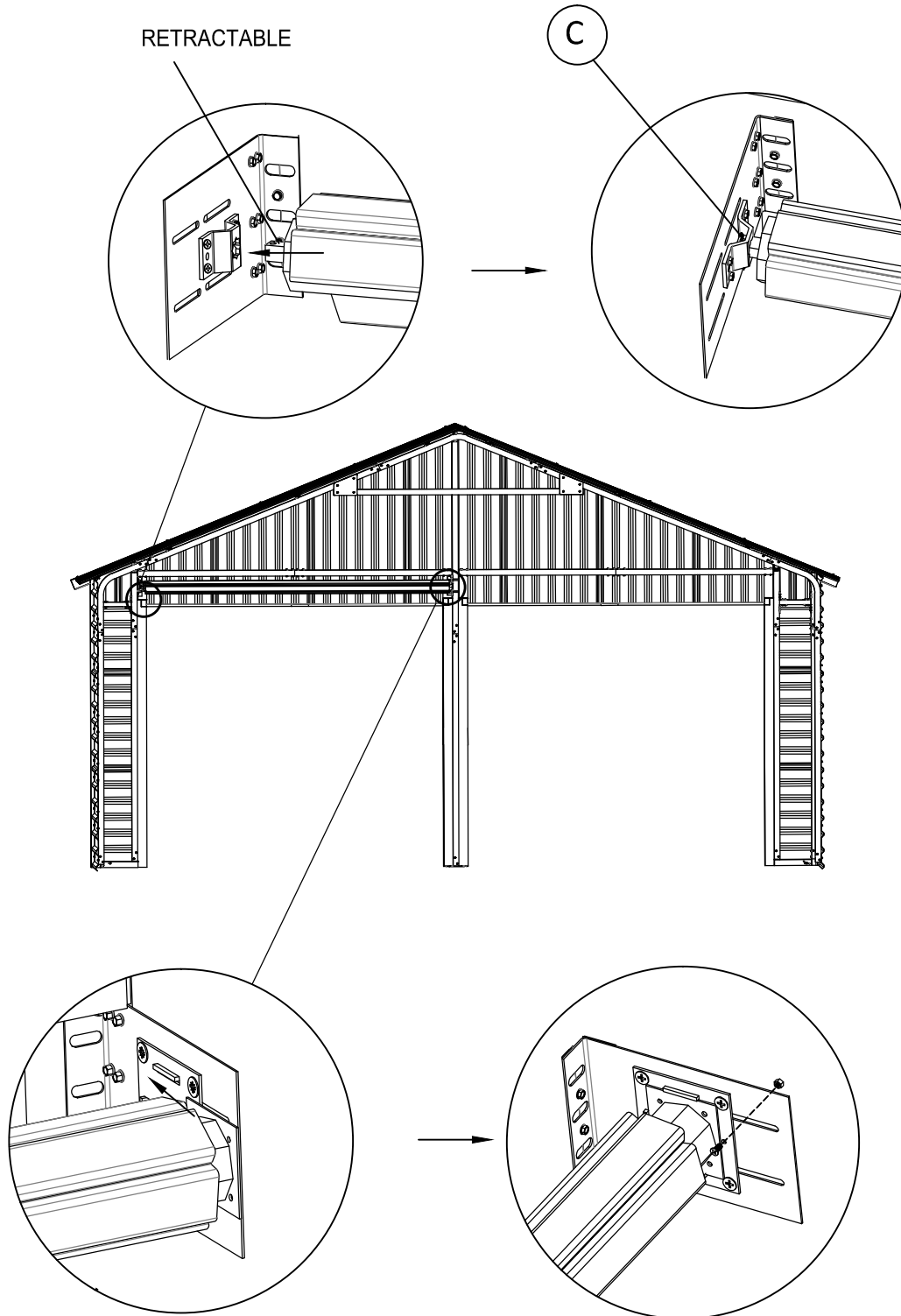
SHED ASSEMBLY - ROLL UP DOOR



MAKE SURE THAT THE CENTERS OF A AND B ARE ON THE SAME HORIZONTAL POSITION.



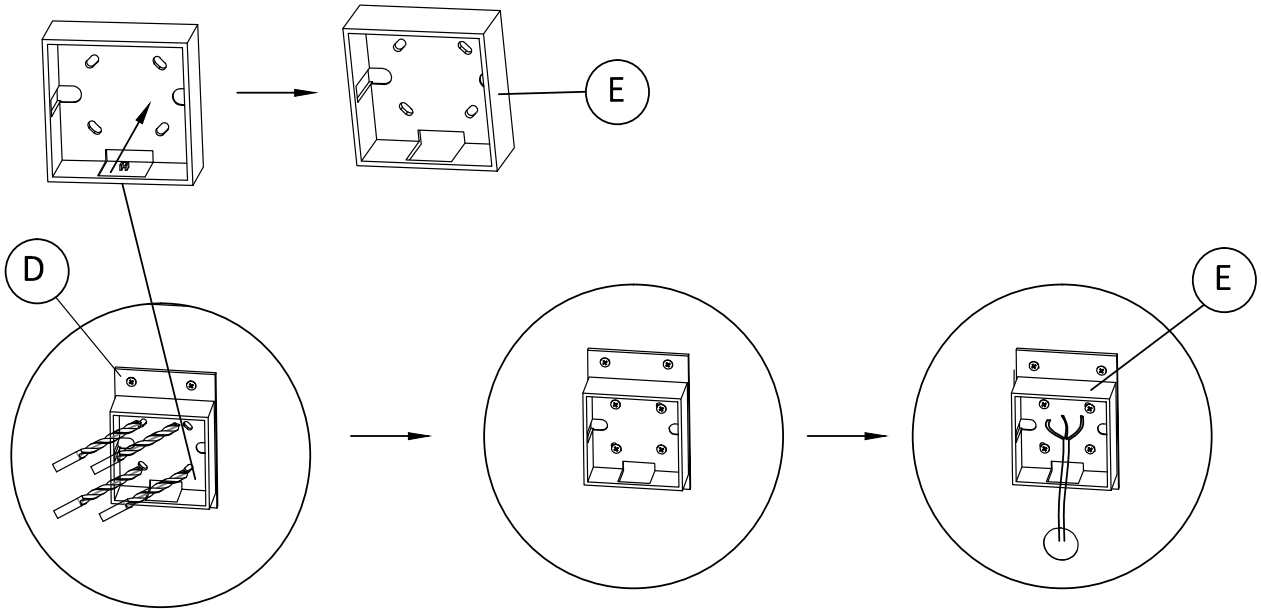
SHED ASSEMBLY - ROLL UP DOOR



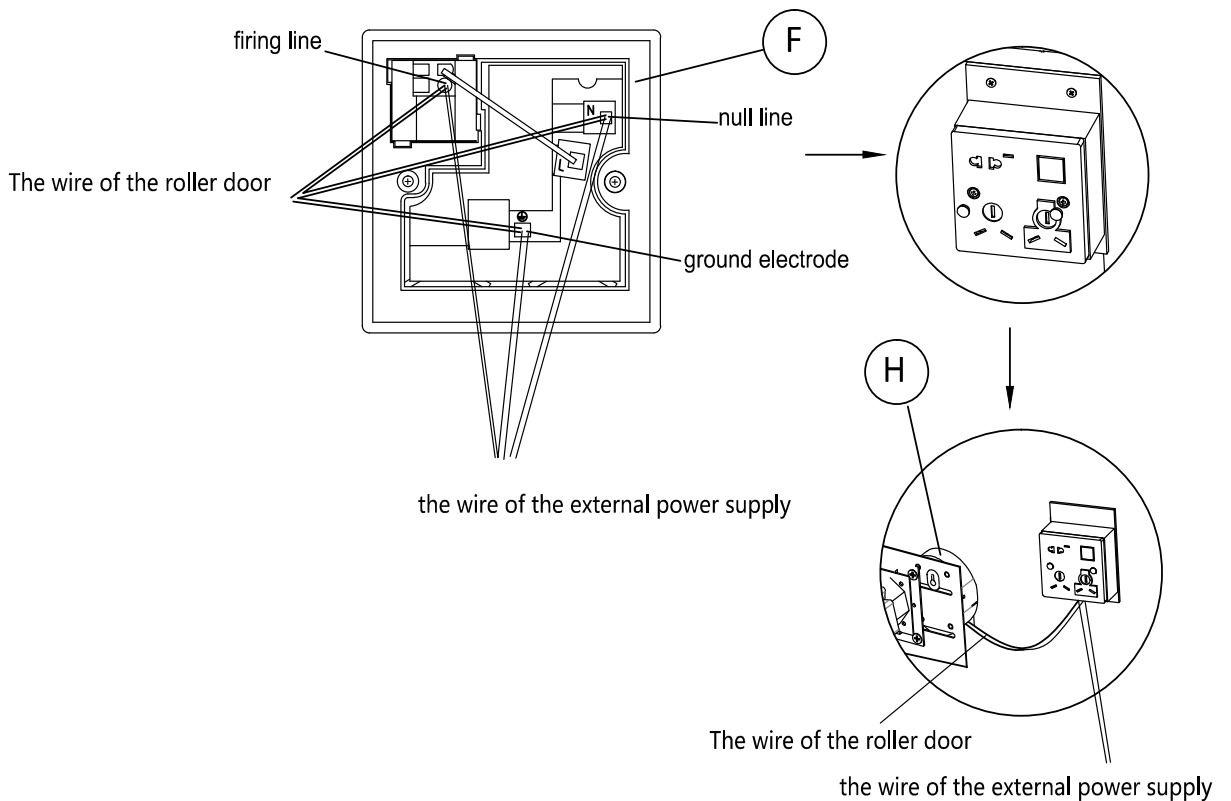
SHED ASSEMBLY - ROLL UP DOOR

Option 1 : The wire of the roller door is directly connected with the wire of the external power supply. Pay attention to the one-to-one correspondence of live line, zero line and ground line, and wrap them with electrical tape.

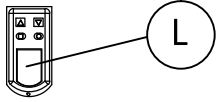
Option 2



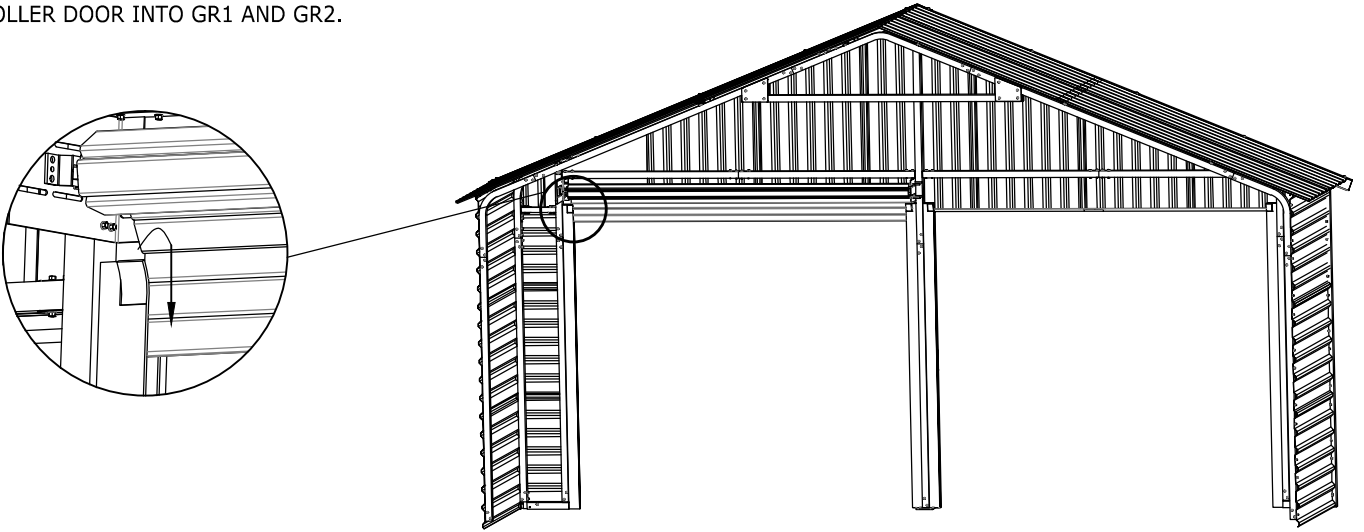
ATTENTION: CUT OFF THE POWER BEFORE OPERATION !



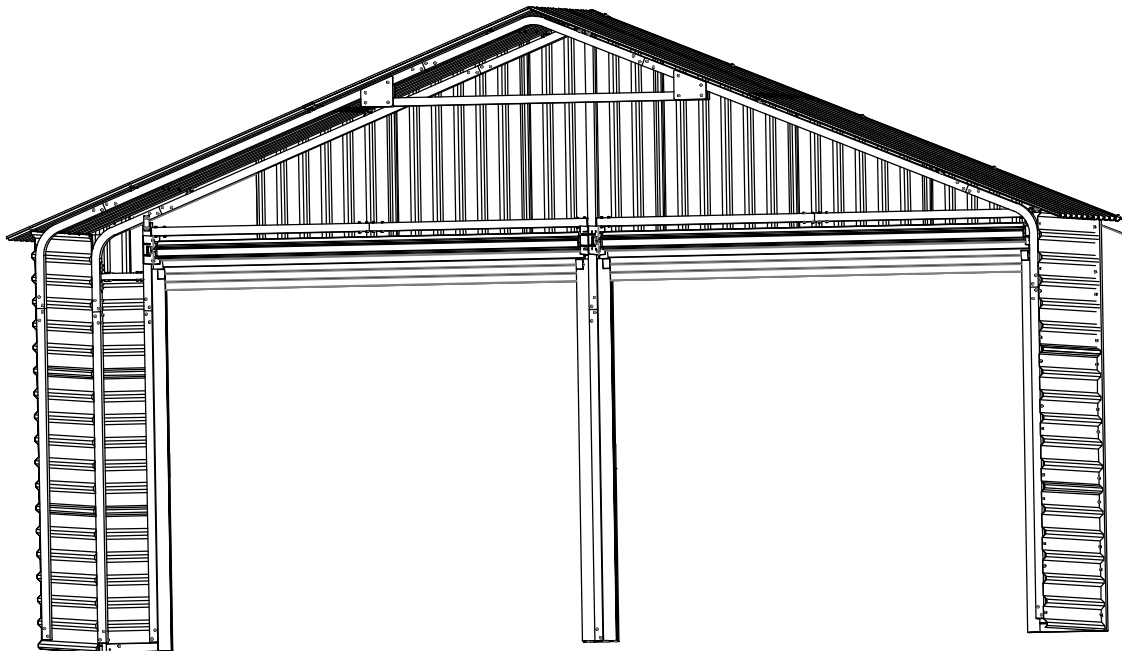
SHED ASSEMBLY - ROLL UP DOOR



POWER-ON, THEN CONTROL THE REMOTE CONTROL, SLOWLY INSERT THE ROLLER DOOR INTO GR1 AND GR2.



Install another rolling door in the same way.



SHED ASSEMBLY

Step:(the yellow regulating hole is lower limit, the blue regulating hole is upper limit,SYMBOL '+' is increasing distance, SYMBOL '-' is reduce distance)

- 1: You need install the roller door and remote control and fix them well. Then, plug in and try to know well about the position of button UP, DOWN, STOP, UNLOCK on remote control.
 - 2: Run down the door, when the roller door get close to the ground, press the STOP button or stop automatically.
 - 3: Please insert the limit adjusting rod (I) into the blue regulating hole, and observe the direction of the '+' and '-'.
 - 4: Run up the door, at meantime, turn the adjusting rod to '-' until it stops.(if it doesn't stop,please run down the roller door to get close to ground again, and run up the door, at meantime, turn the adjusting rod to '-' until to stop again.You can loop through this step until you find the limit.
 - 5: Turn the adjusting rod to the direction of the '+', the roller door will move up bit by bit. You can move it where you like.
 - 6: Please insert the limit adjusting rod (I) into the yellow regulating hole, and observe the direction of the '+' and '-'.
 - 7: Run down the roller door, at meantime, turn the adjusting rod to '-' .if the roller door doesn't stop when get closed to the ground,please run up the roller door until it stops automatically, and run down the door, at meantime, turn the adjusting rod to '-' .You can loop through this step until you find the limit.
 - 8: Turn the adjusting rod to the direction of the '+', the roller door will move down bit by bit. You can move it where you like.
- Tip: 1.OVERHEATING PROTECTION MAY OCCUR DURING DEBUGGING. PLEASE WAIT UNTIL THE TEMPERATURE DROPS TO THE WORKING RANGE (ABOUT 10 MINUTES) BEFORE DEBUGGING.

ROTATE THE ROLLER DOOR WITH THE ROCKER (J)
WHEN POWER CUT.

