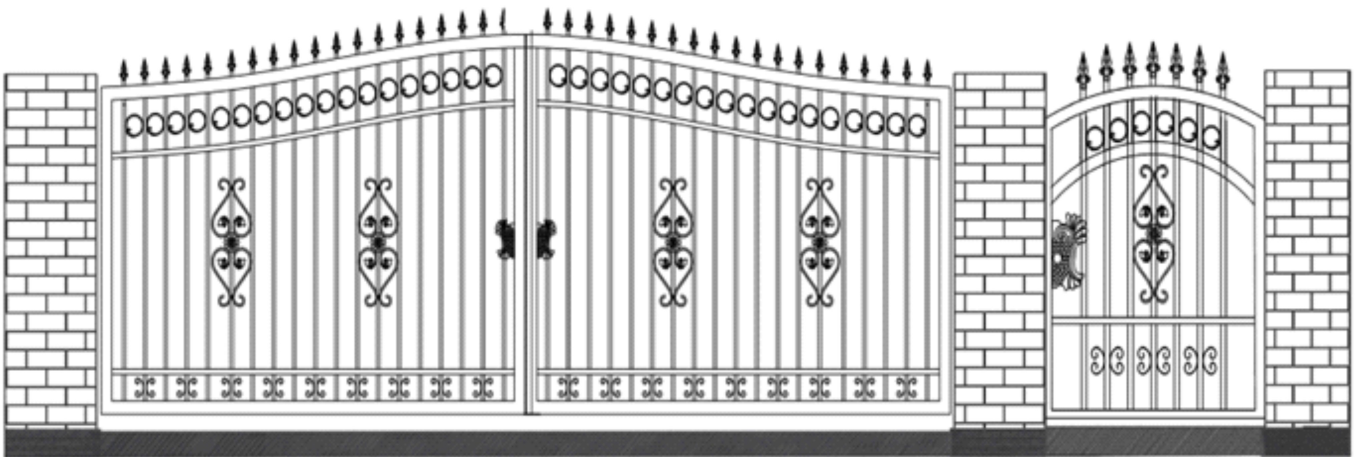


WROUGHT IRON GATE AND FENCE COMBO 110'



⚠ WARNING



- Please read and understand the product manual completely before assembly
- Check against the parts list to make sure all parts are received
- Wear proper safety goggles or other protective gears while in assembly
- Do not return the product to dealer. They are not equipped to handle your requests.

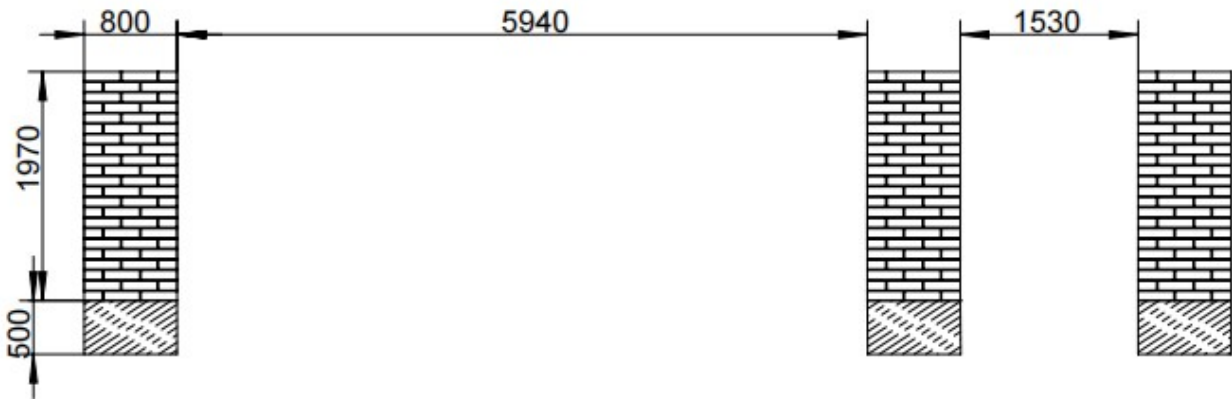
Missing parts or have questions on assembly?

Please call: 1-877-761-2819 or email: cs@tmgindustrial.com

IRON DOOR INSTALLATION

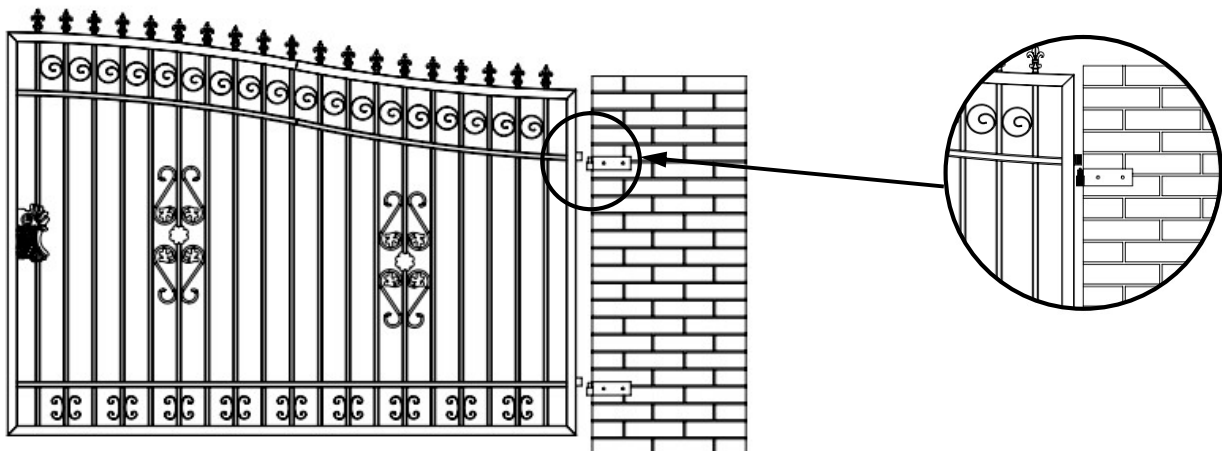
AS SHOWN IN THE FIGURE:

1. The gate post is recommended to be made of concrete or brick
2. Embed the metal part in advance into the concrete/brick post
3. The recommended length and width of the gatepost shall not be less than 800mm*600mm, and the height shall not be less than 1900mm
4. It is recommended that the length and width of the excavation for the gatepost should not be less than 800mm*600mm, and the depth should not be less than 500mm
5. The distance between two gate post shall not be less than 5940mm, and the distance between small gatepost shall not be less than 1530mm

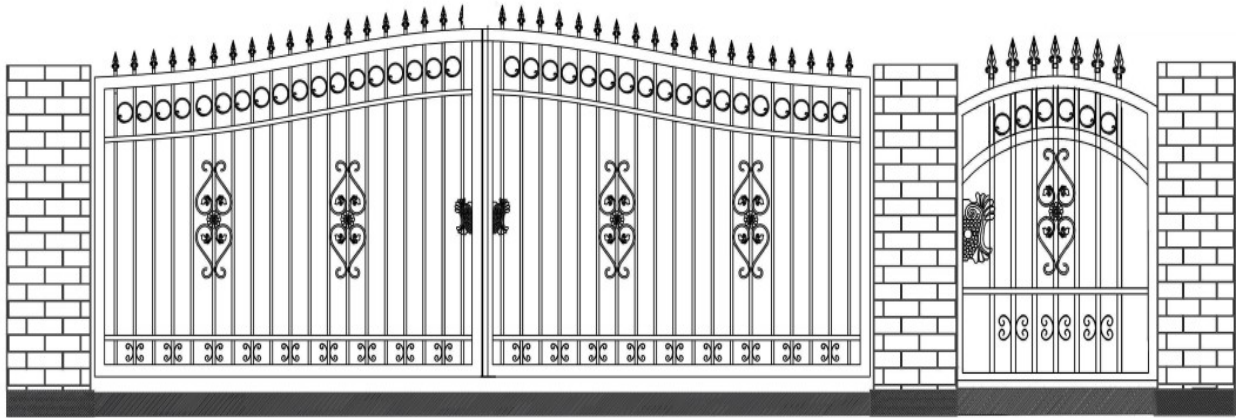


AS SHOWN IN THE FIGURE:

1. Fix the hinge on the gatepost
2. Insert the gate into the installed hinge, and the installation is complete
3. The small gate is installed in the same way as the gate



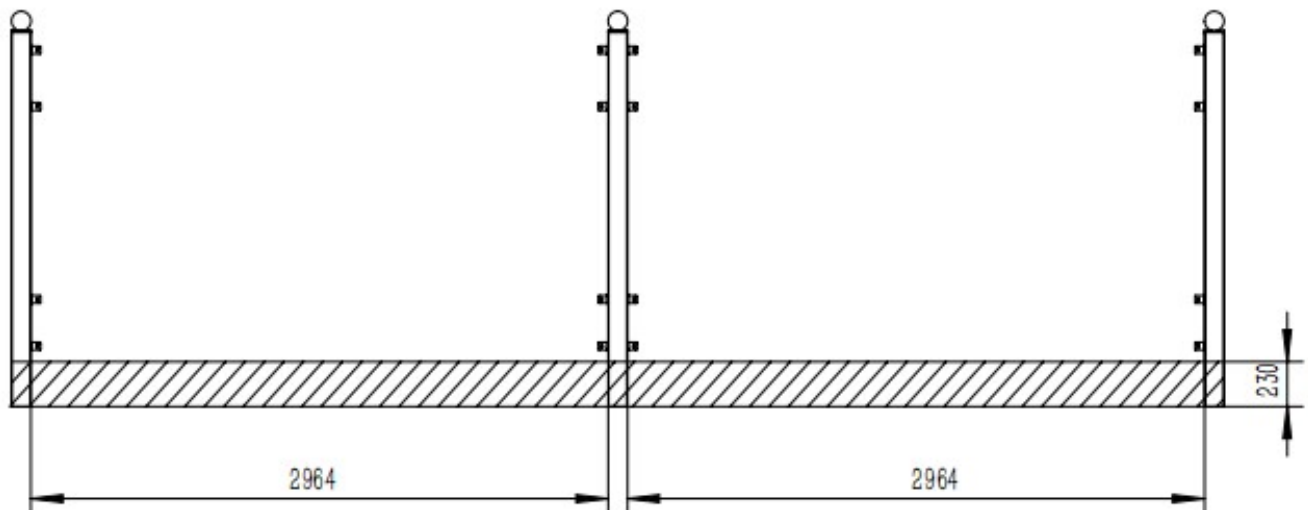
INSTALLATION COMPLETED



THE FENCE POST INSTALLATION

AS SHOWN IN THE FIGURE:

1. Fence columns must be poured with concrete, with a recommended width of 350mm, height of 230mm, and length based on the situation.
2. When pouring concrete, fence post should be placed and positioned. post have an embedded depth of no more than 230mm and no less than 210mm, and the distance between two post is 2964 mm.



AS SHOWN IN THE FIGURE:

Insert the fence into the post connector and secure it with the screws and nuts included in the accessory bag

