

MODEL TMG-LPG20

10ft x 20ft Aluminum Louvred Pergola

**⚠ WARNING**

- Please read and understand the product manual completely before assembly
- Check against the parts list to make sure all parts are received
- Wear proper safety goggles or other protective gears while in assembly
- Do not return the product to dealer. They are not equipped to handle your requests.

Missing parts or questions on assembly?

Please call: 1-877-761-2819 or email: cs@tmgindustrial.com

Main Specifications:

- Assembly size : W2.95 x L5.79 x H2.5 (m) / 10ft x 20ft x 8ft

Prior to assembly

Please go through the whole instruction manual completely. It is very important to follow your local safety regulations and industry standards during installation.

Regulations may include but are not limited to:





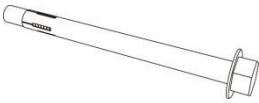
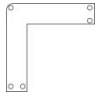

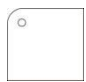



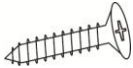

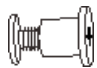


- Safety helmets, protective eyewear, and clothing
- Safety harnesses for all elevated workers
- Proper ladder, cage, and safety operation












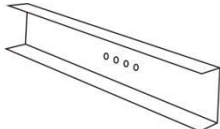
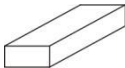
Check all components and parts before installation. All parts are marked with a part number, please refer to the parts list to ensure you have all parts.

Choose a day with low or no wind to install, it is hard to assemble with heavy wind. Do not make any alterations to the structure. Do not hang any weight on the frame during installation, including parts. We are not responsible for any damages or injuries caused by inappropriate installation, unauthorized modifications or extreme weather.

Check the parts list below to make sure all parts are received prior to assembly.

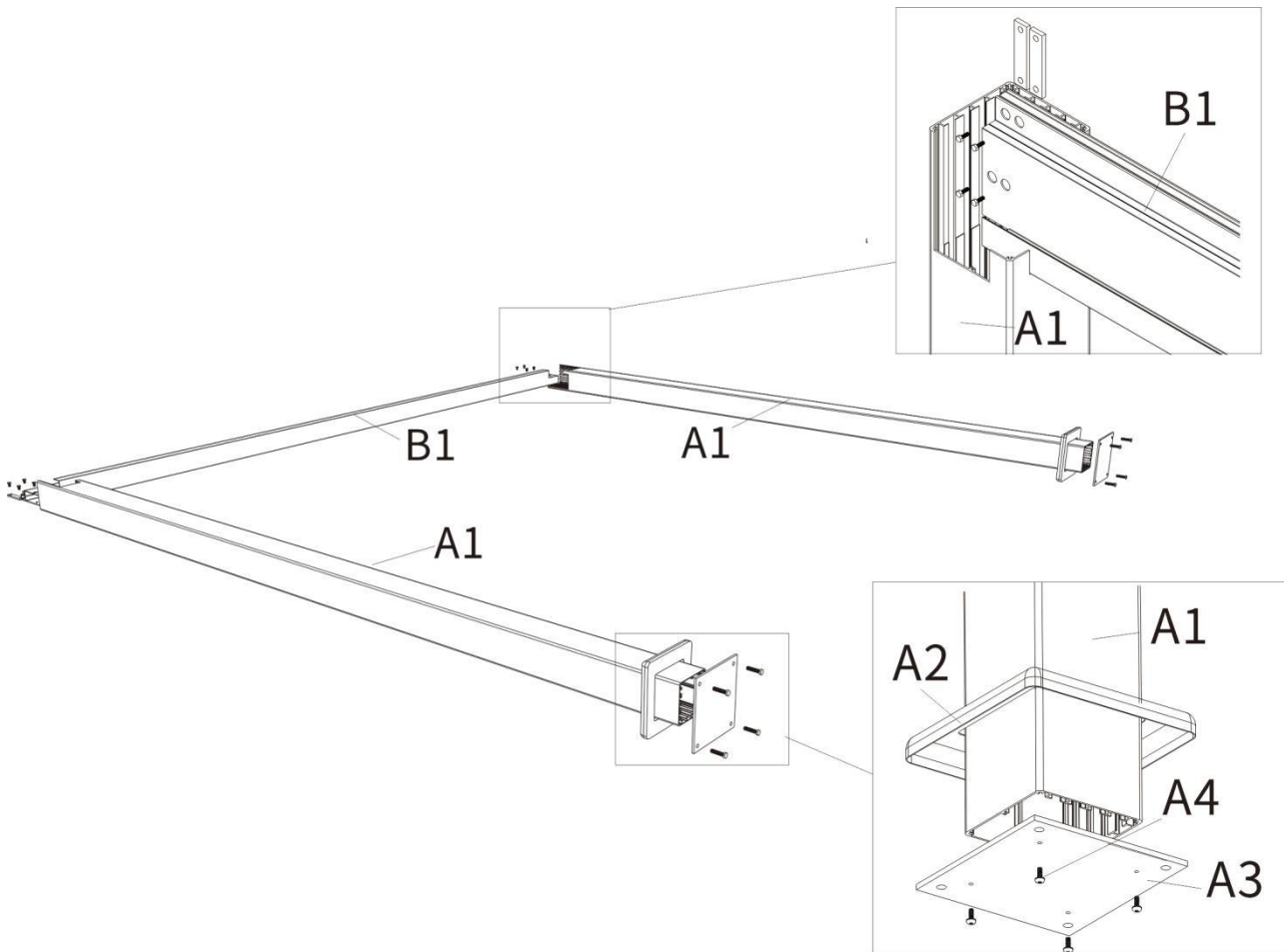
TMG-LPG20 Part List





Parts code	Graphical	Description	Length	Qty
A1		Post	110X110mm	6
A2		Base cover	190X190mm	6
A3		Base footing plate	170X170mm	6
A4		Base footing screw	4X35mm	36
A5		Expansion bolt	M8X7mm	24
A6		Post cover	110X110mm	4
A7		Post cover screw	4X16mm	24
A8		Small cover	18X18X2	4
B1-B4		Beam B1-Beam	80X140mm	6
B5		Rubber plug	8mm	56
B6		Sliding pin	35*17mm	86
B7		Sliding pin screw	4*16mm	172
C1-C43		Blade	149.98*43.8mm	43
C44		Letters	6*8*8mm	1
D1		L shape aluminum plate	25*15mm	4
E		R-shape pin	1.8*35mm	86



F1		Front breakwater	65*15mm	1
F2		Front breakwater screw	4*16mm	3
G1		Rear breakwater	125*26mm	1
G2		Rear breakwater screw	4*16mm	5
H1		Hexagon spanner	3mm	5
I		Pergola remote control		2
J		Small rubber hammer	26*6*2mm	1
K		Cross head	65mm	2
L		Auger	3.4mm	1
N		Silicon sealant	120ml	1
T		Hand crank	1600mm	1
B10		Beam connection	105*35*2mm	2
A9		Aluminium tube	80*30*1mm	1

Step 1: Install Base footing plate and Beam

- Lay the post A1 flat, install base cover A2 and base footing plate A3 on all post A1, and drilling base footing screw A4.
- Install the beam, insert the ends of beam B1 into two post A1, and tighten the screws. This step applies to the Beam B3.

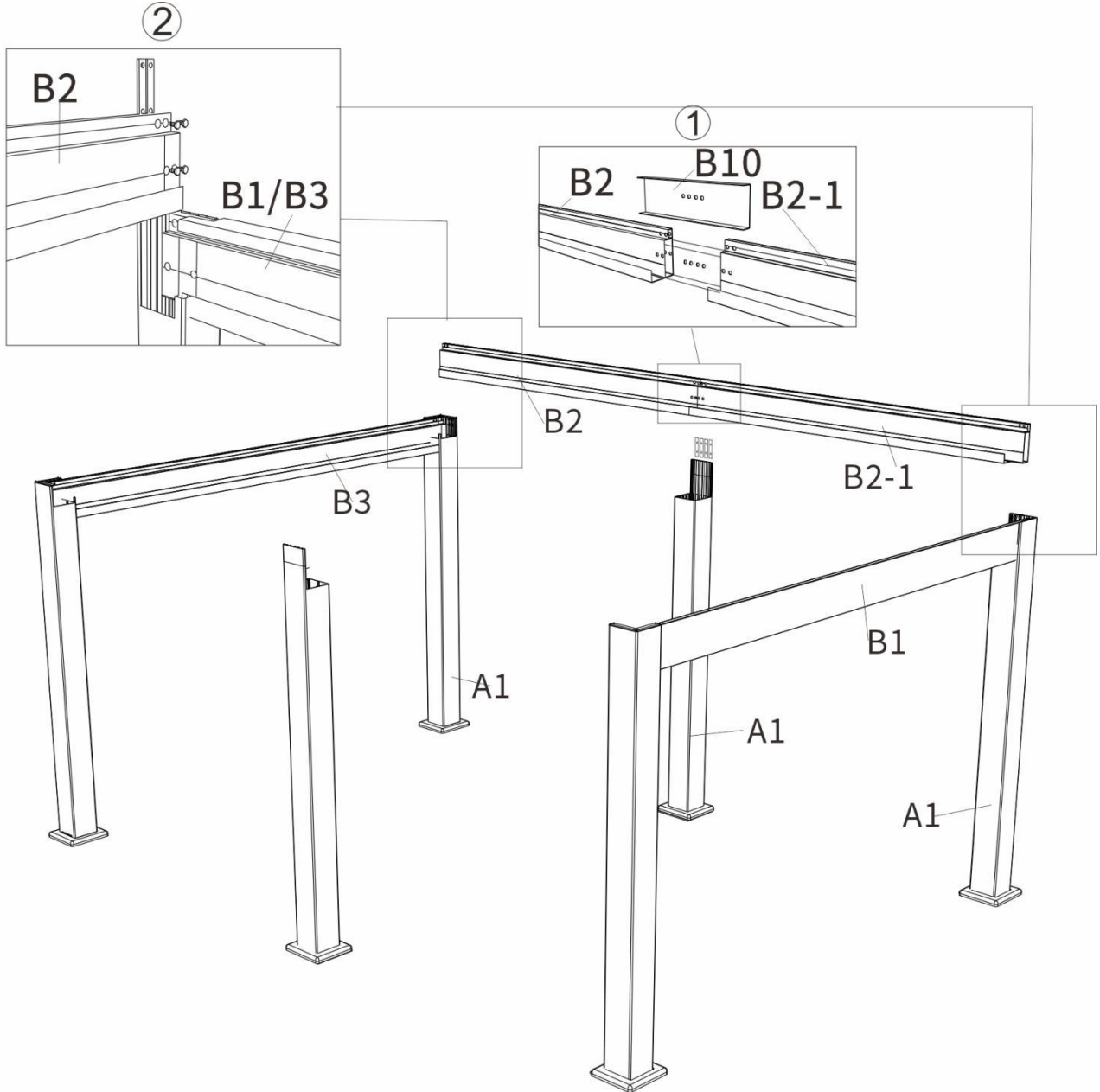



Parts code	Graphical	Qty
A1		6
A2		6
A3		6
A4		24

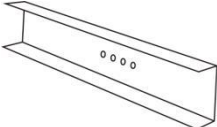

B1		1
B3		1

Step 2: Install Beam B2&B2-1

- Connect the Beam B2 and B2-1 with Beam connection B10. Align with four holes and install them on middle Post A1 with fixed drills.
- Secure the Beam B2 and Beam B2-1 to Post A1.

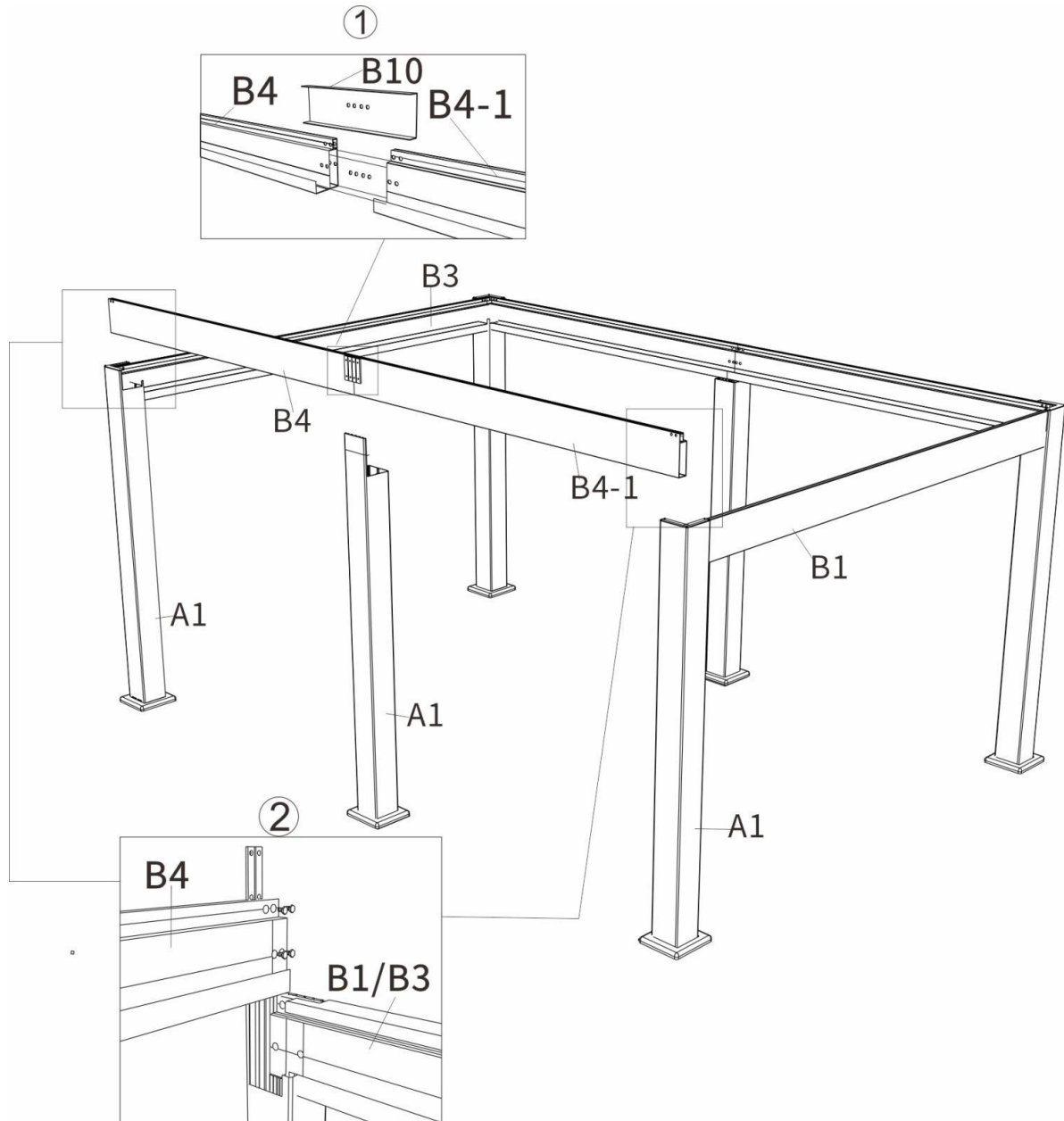



Parts code	Graphical	Qty
B2-1		1

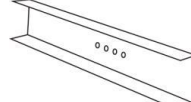

B10		1
B2		1

Step 3: Install Beam B4 & B4-1

- Connect the Beam B4 and B4-1 with Beam connection B10. Align with four holes and install them on middle Post A1 with fixed drills.
- Secure the Beam B4 and Beam B4-1 to Post A1.

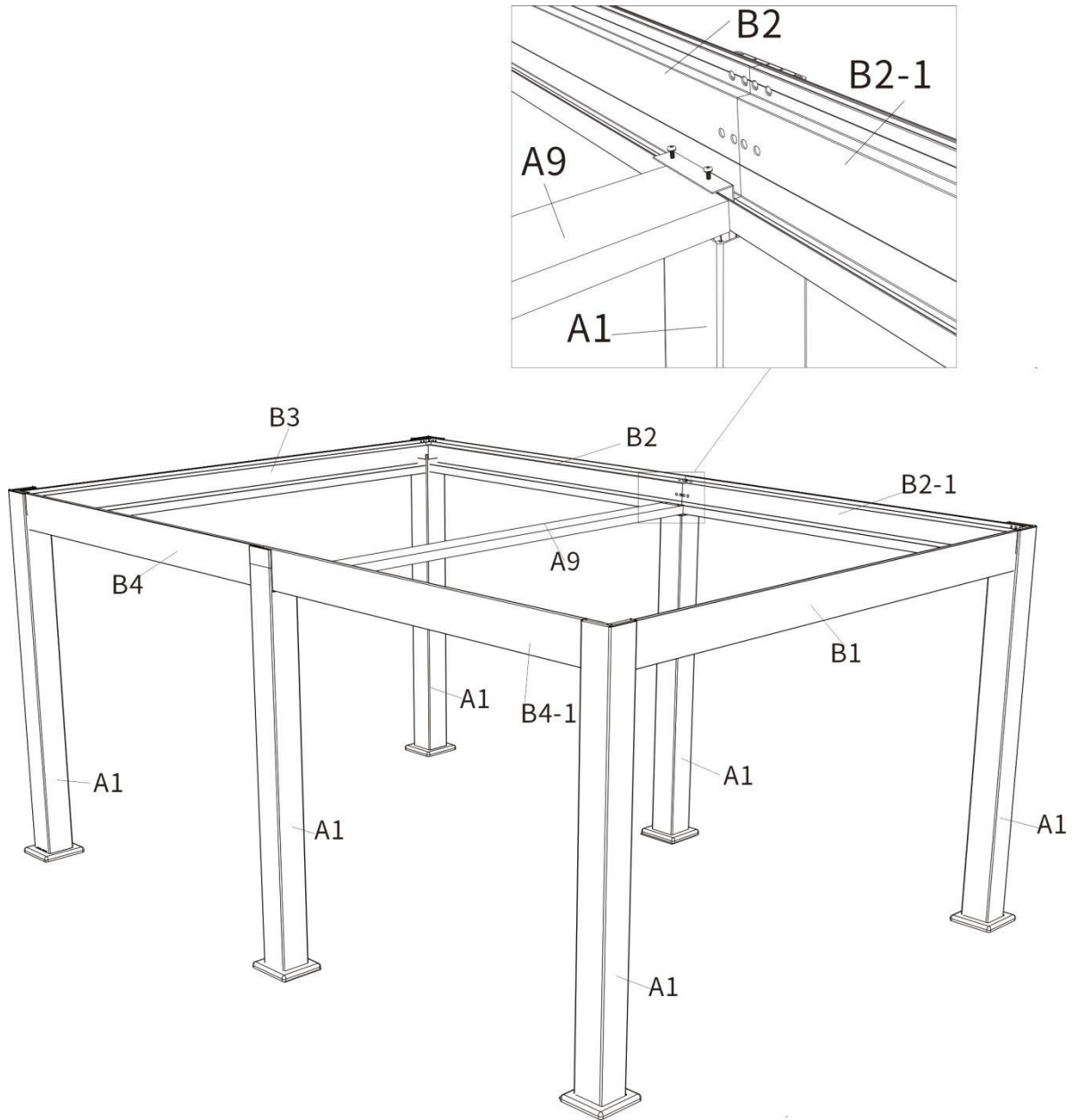


Parts code	Graphical	Qty
B4-1		1


B10		1
B4		1

Step 4: Install Aluminium tube A9.

- Install Aluminum tube A9 on the two middle Post A1

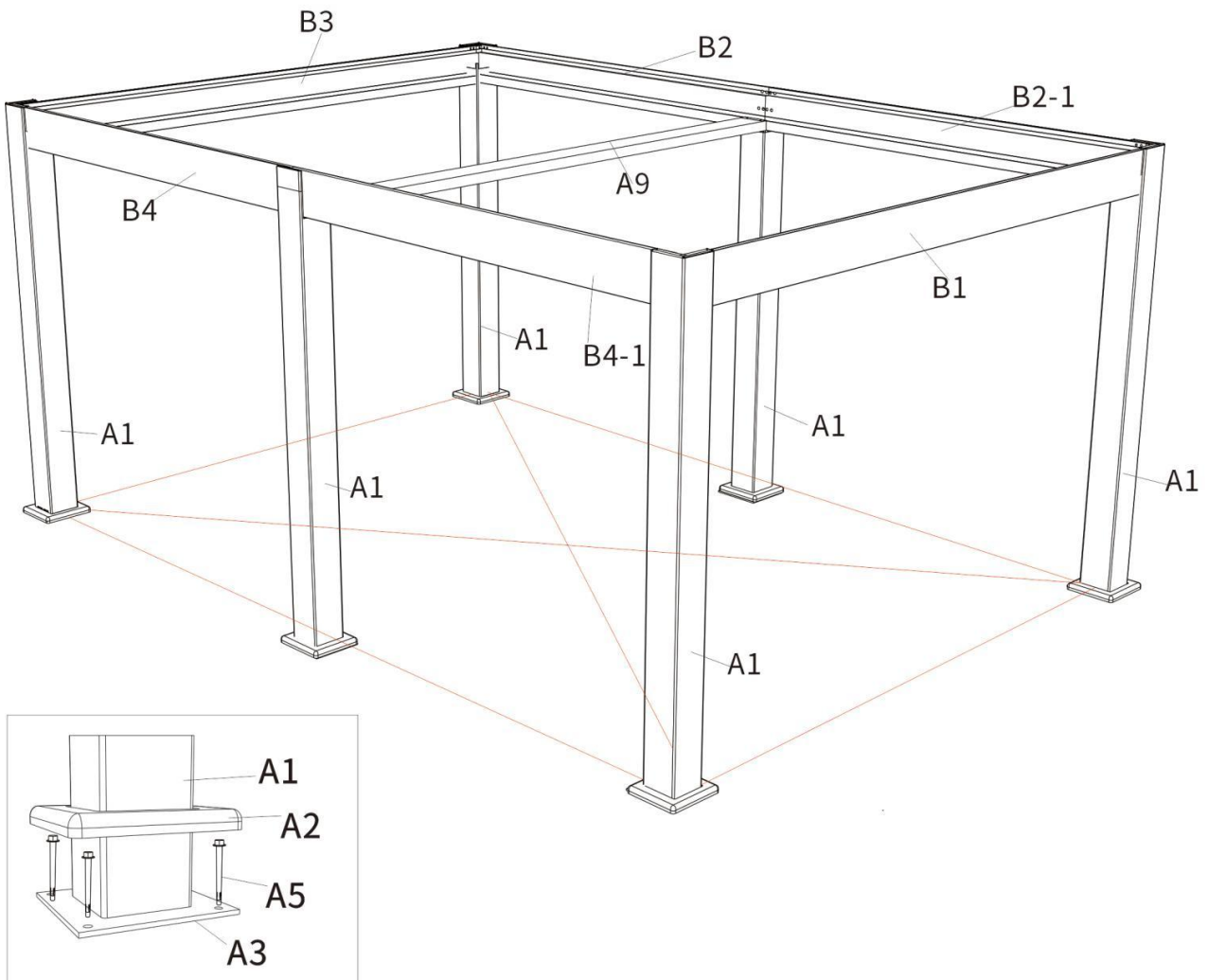


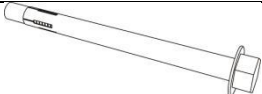
Parts code	Graphical	Qty
------------	-----------	-----

A9		1
----	---	---

Step 5: Install Base footing plate A3

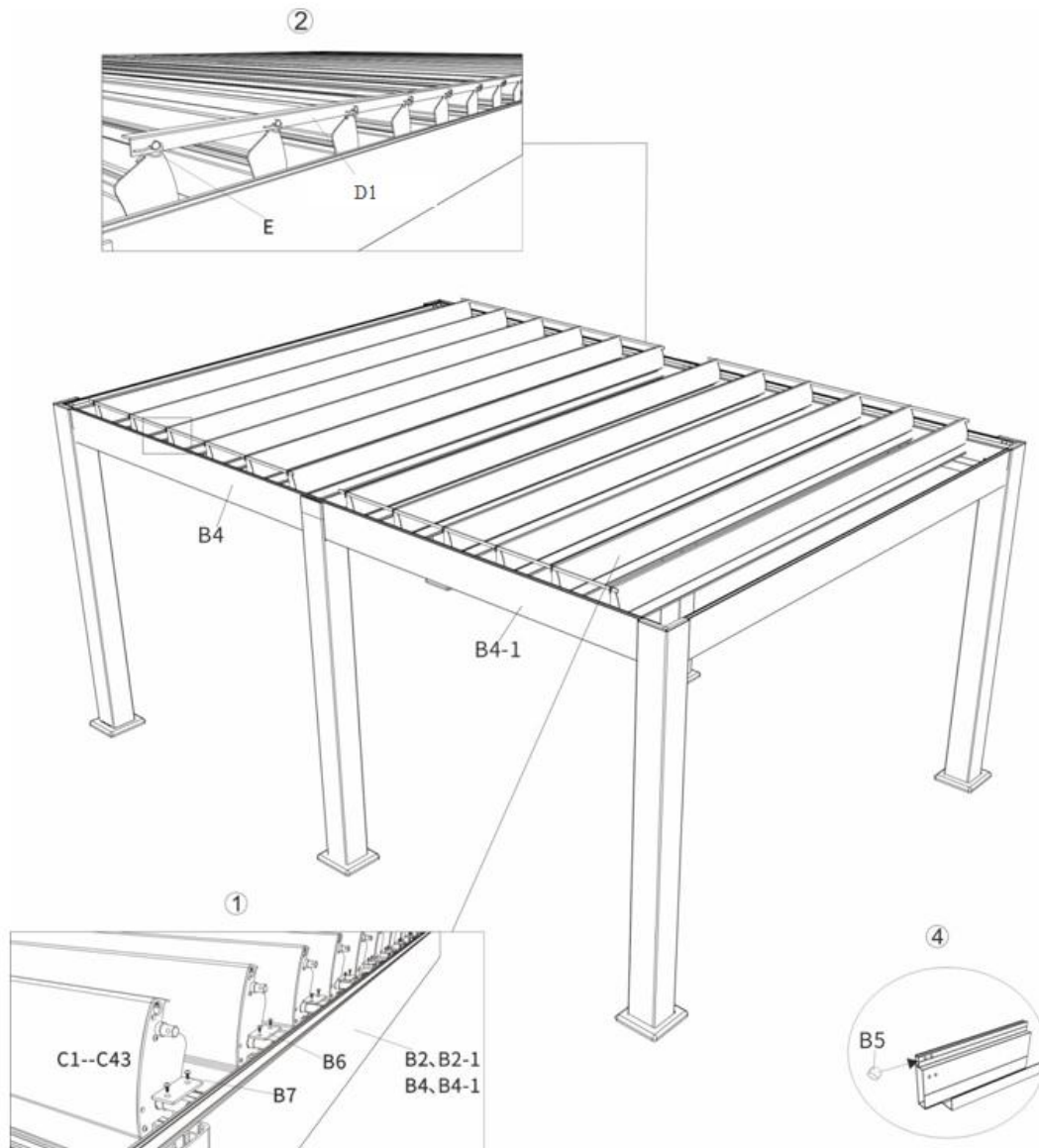
- Measuring base distance, make the parallel distances and the diagonal distances equal.
- Secure the base footing plate A3 with expansion bolt A5.









Parts code	Graphical	Qty
A5		24

Step 6: Install Blades C1-C43.

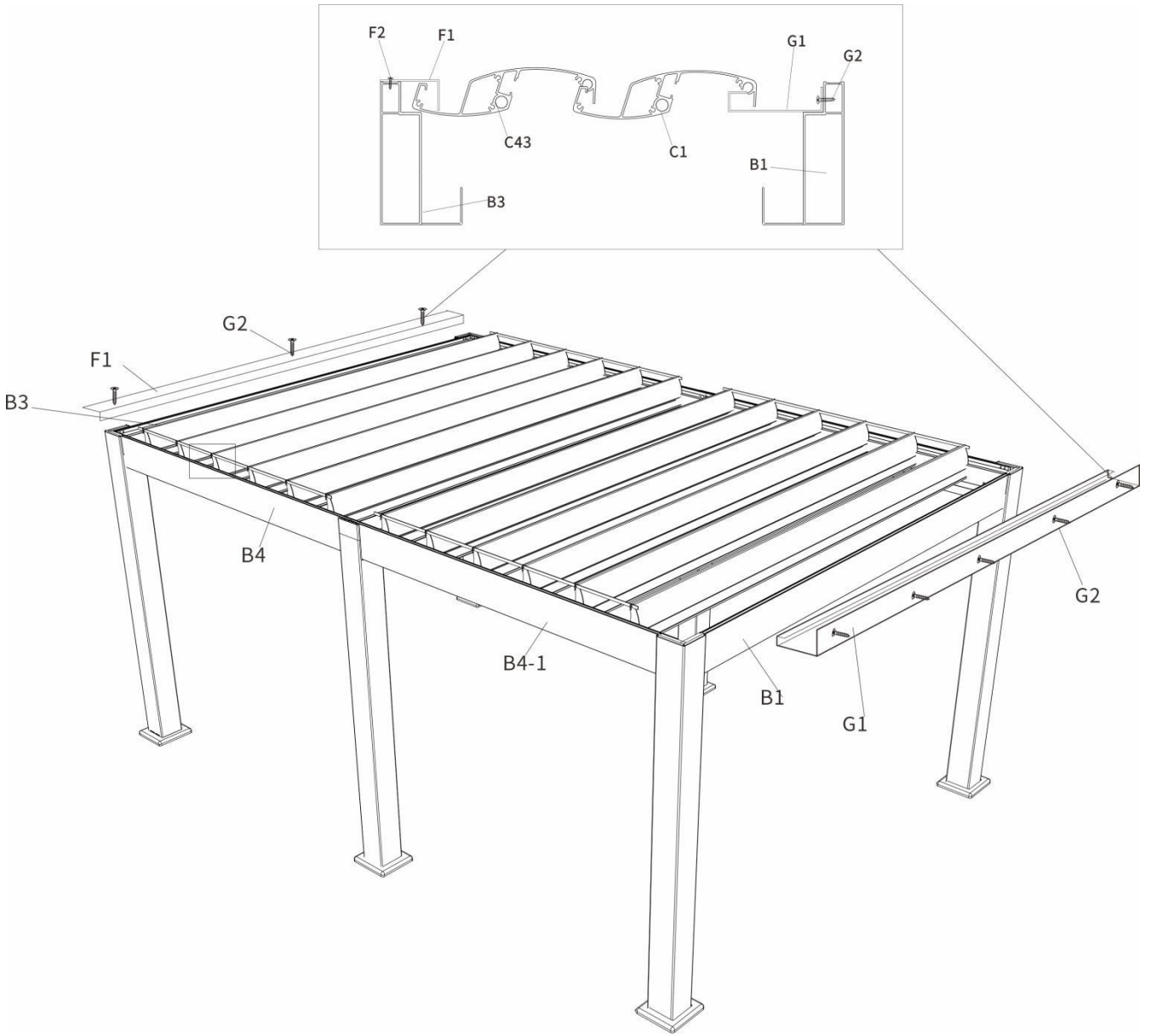
- Install the blades C1--C43 in sequence, and drill the sliding pin screw B7 into sliding pin B6 to fix it.
- Connect all the blades with L shape aluminum D1 & D2, and plug R-shape pin E as shown.
- All screw hole plugs with small rubber plug B5.


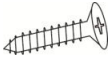


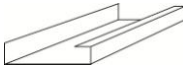

Parts code	Graphical	Qty
C1-C43		43
B5		56
B6		86

D1		4
E		42
B7		172

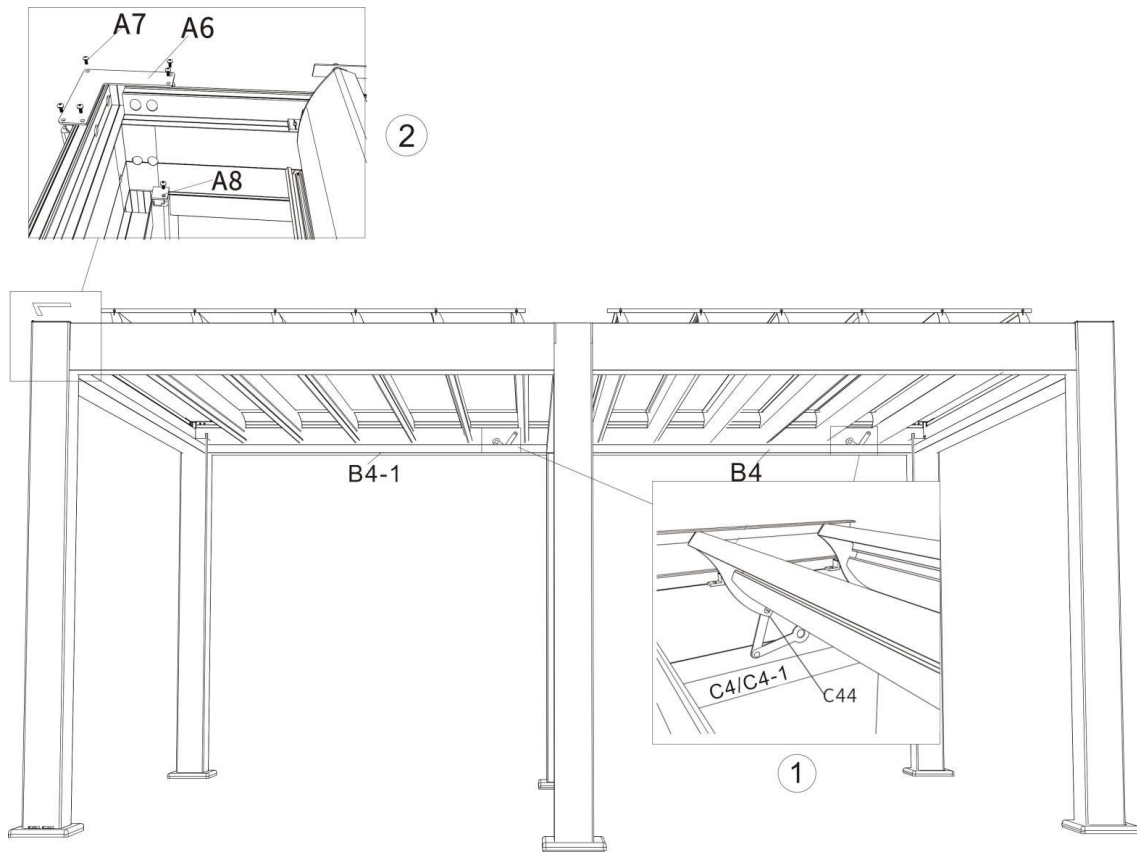
Step 7: Install Front breakwater F1 and Rear breakwater G1

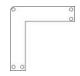



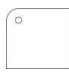
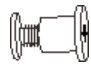
Parts code	Graphical	Qty
F1		1
F2		3

G1		1
G2		5

Step 8: Install Post cover A6



Parts code	Graphical	Qty
A6		4
A7		24

A8		4
C44		2