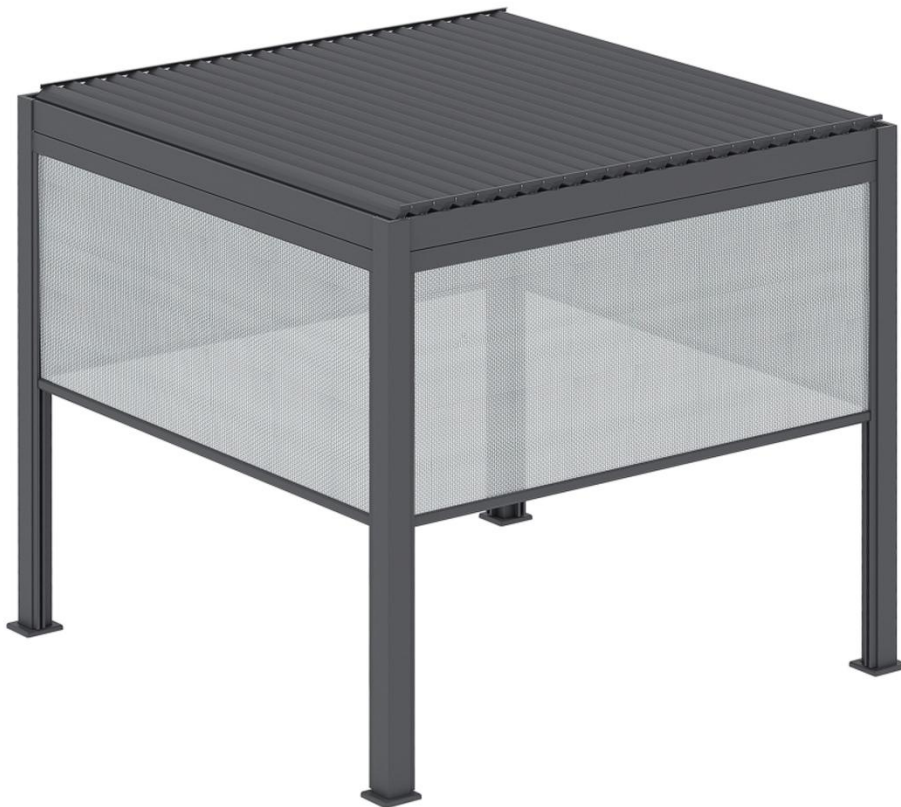


**MODEL TMG-LPG11**

# 10ft x 10ft Aluminum Louvred Pergola

**⚠ WARNING**

- Please read and understand the product manual completely before assembly
- Check against the parts list to make sure all parts are received
- Wear proper safety goggles or other protective gears while in assembly
- Do not return the product to dealer. They are not equipped to handle your requests.

**Missing parts or questions on assembly?**

Please call: 1-877-761-2819 or email: [cs@tmgindustrial.com](mailto:cs@tmgindustrial.com)

## **Main Specifications:**

- Assembly size : W2.95 x L2.95 x H2.5 (m) / 10ft x 10ft x 8ft
- Wind proof roller shutter : W2.73 x H2.325 (m)
- fabric density : 5%

## **Prior to assembly**

Please go through the whole instruction manual completely. It is very important to follow your local safety regulations and industry standards during installation.

Regulations may include but are not limited to:





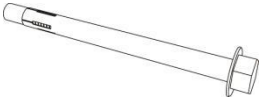
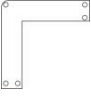










- Safety helmets, protective eyewear, and clothing
- Safety harnesses for all elevated workers
- Proper ladder, cage, and safety operation

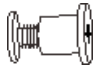
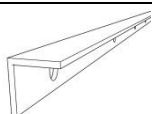











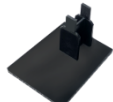

Check all components and parts before installation. All parts are marked with a part number, please refer to the parts list to ensure you have all parts.

Choose a day with low or no wind to install, it is hard to assemble with heavy wind. Do not make any alterations to the structure. Do not hang any weight on the frame during installation, including parts. We are not responsible for any damages or injuries caused by inappropriate installation, unauthorized modifications or extreme weather.

Check the parts list below to make sure all parts are received prior to assembly.

### TMG-LPG11 Part List

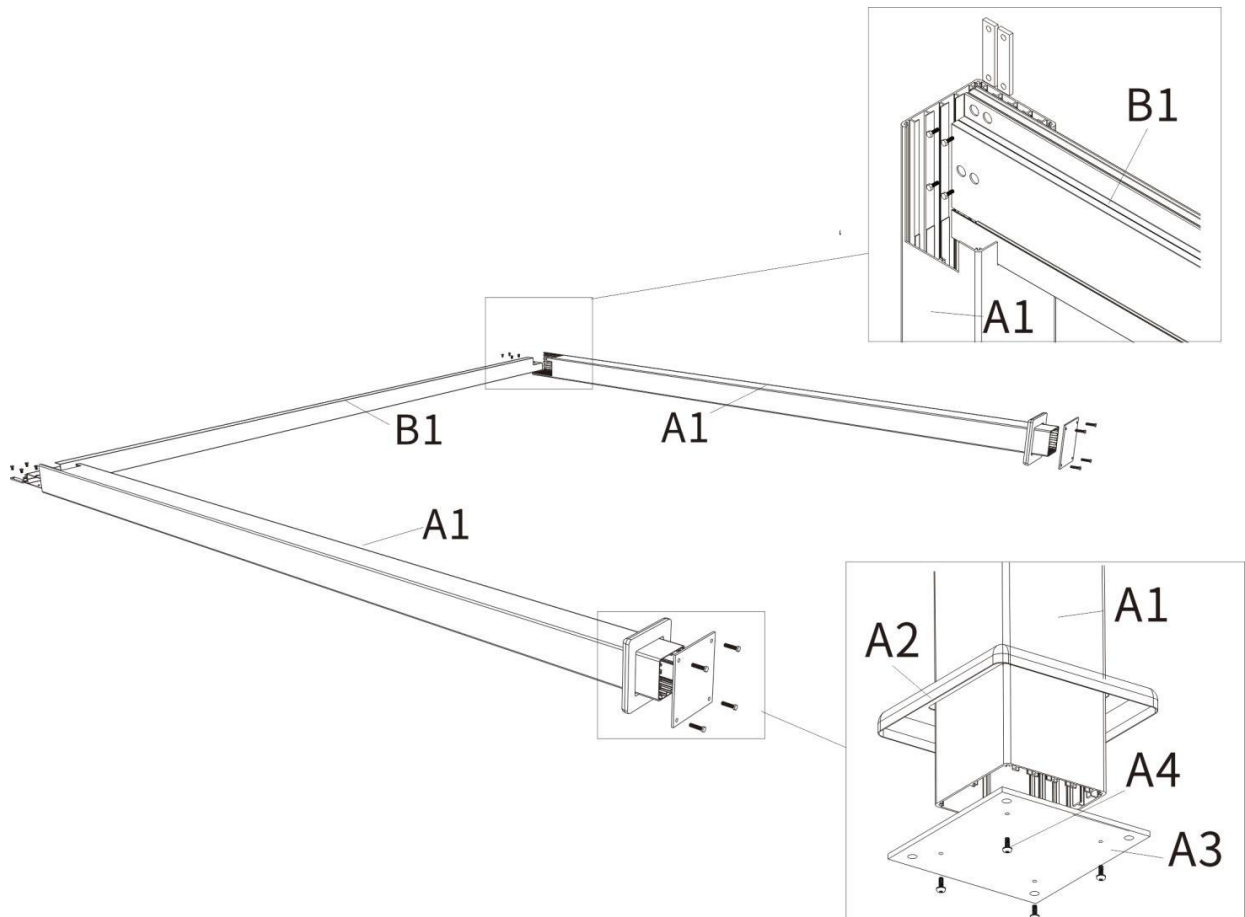
Parts code	Graphical	Description	length	Qty
A1		Post	110X110mm	4
A2		Base cover	190X190mm	4
A3		Base footing plate	170X170mm	4
A4		Base footing screw	4X35mm	24
A5		Expansion bolt	M8X7mm	16
A6		Post cover	110X110mm	4
A7		Post cover screw	4X16mm	24
A8		Small cover	18X18X2	4
B1		Beam B1-Beam	80X140mm	1
B2		Beam B1-Beam	80X140mm	1
B3		Beam B1-Beam	80X140mm	1
B4		Beam B1-Beam	80X140mm	1
B5		Rubber plug	8mm	40
B6		Sliding pin	35*17mm	42
B7		Sliding pin screw	4*16mm	84
C1~C21		Blade	149.98*43.8mm	21





C44		Letters	6*8*8mm	1
D1		L shape aluminum plate	25*15mm	2
E		R-shape pin	1.8*35mm	42
F1		Front breakwater	65*15mm	1
F2		Front breakwater screw	4*16mm	3
H1		Hexagon spanner	3mm	2
I		Pergola remote control		1
J		Small rubber hammer	26*6*2mm	1
K		Cross head	65mm	2
L		Auger	3.4mm	1
M		5M Power line	5m	1
N		Silicon sealant	120ml	1
O		Residual circuit breaker	125w	1
P1		Orbital left seal	49*38mm	4
P1-1		Left side orbital	49*38mm*2219mm	4



P1-2		Left side rubber tape	32*2219mm	4
P1-3		Left side orbital cover	49*38*2219mm	4
P3		Screw for side orbital cover	5*8mm	8
P4		Screw for Side orbital	4.2*38mm	40
P2		Orbital right seal	49*38mm	4
P2-1		Right side orbital	49*38mm*2219mm	4
P2-2		Right side rubber tape	32*2219mm	4
P2-3		Right side orbital cover	49*38*2219mm	4
Q1		Front cover	100*100*2720mm	4
Q2		Rear cover	100*100*2720mm	4
Q3		Rolling fabric and motor	2666*2565mm	4
Q4		Cover screw	4.2*25mm	24

## Step 1 : Install base footing plate and beam

- Lay the post A1 flat, install base cover A2 and base footing plate A3 on all post A1, and drilling base footing screw A4. The step applies to the two post on the right
- Install the beam, insert the ends of beam B1 into two post A1, and tighten the screws

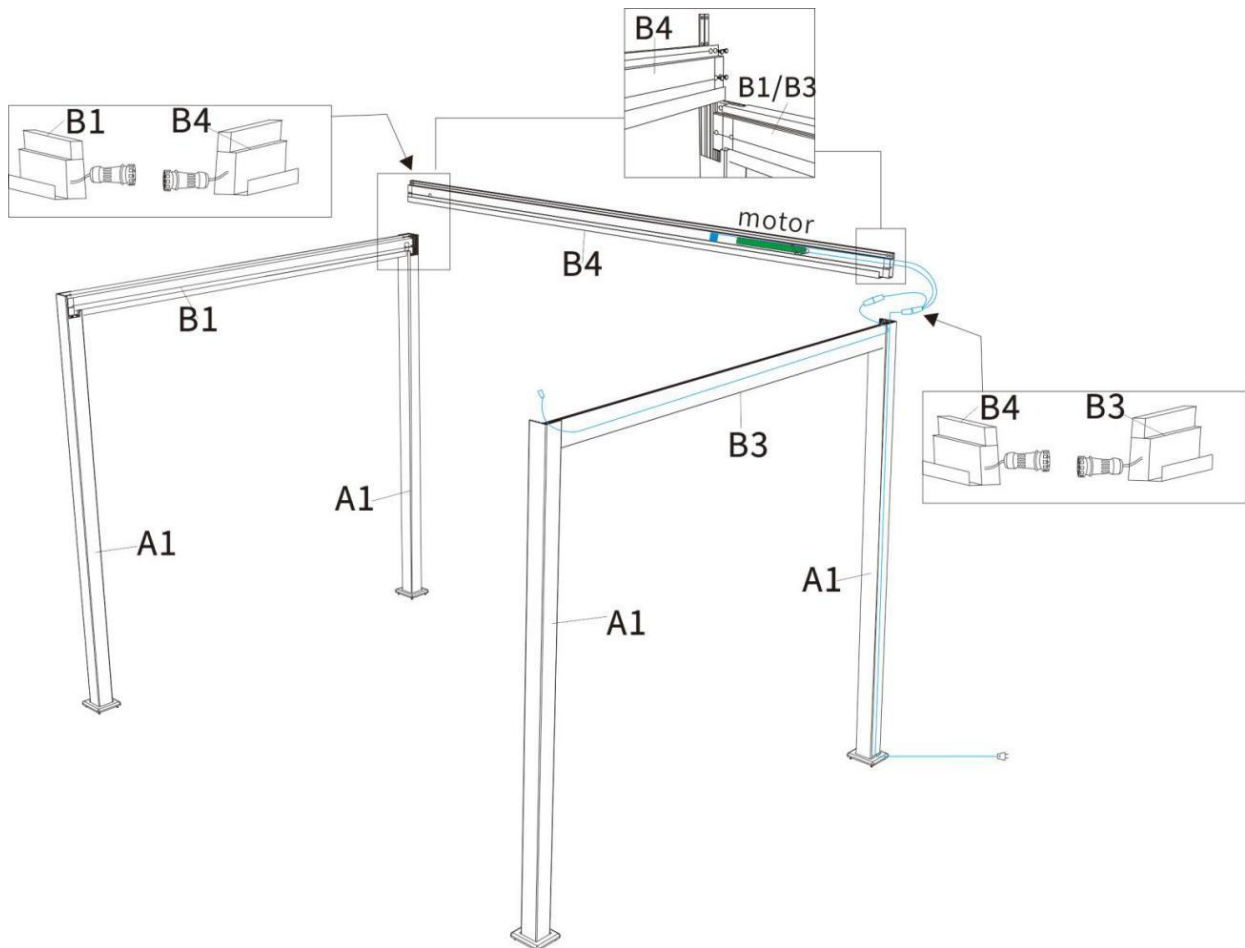



Parts code	Graphical	Qty
A1		4
A2		4
A3		4
A4		16

B1		1
B3		1

## Step 2 : Install Beam B4

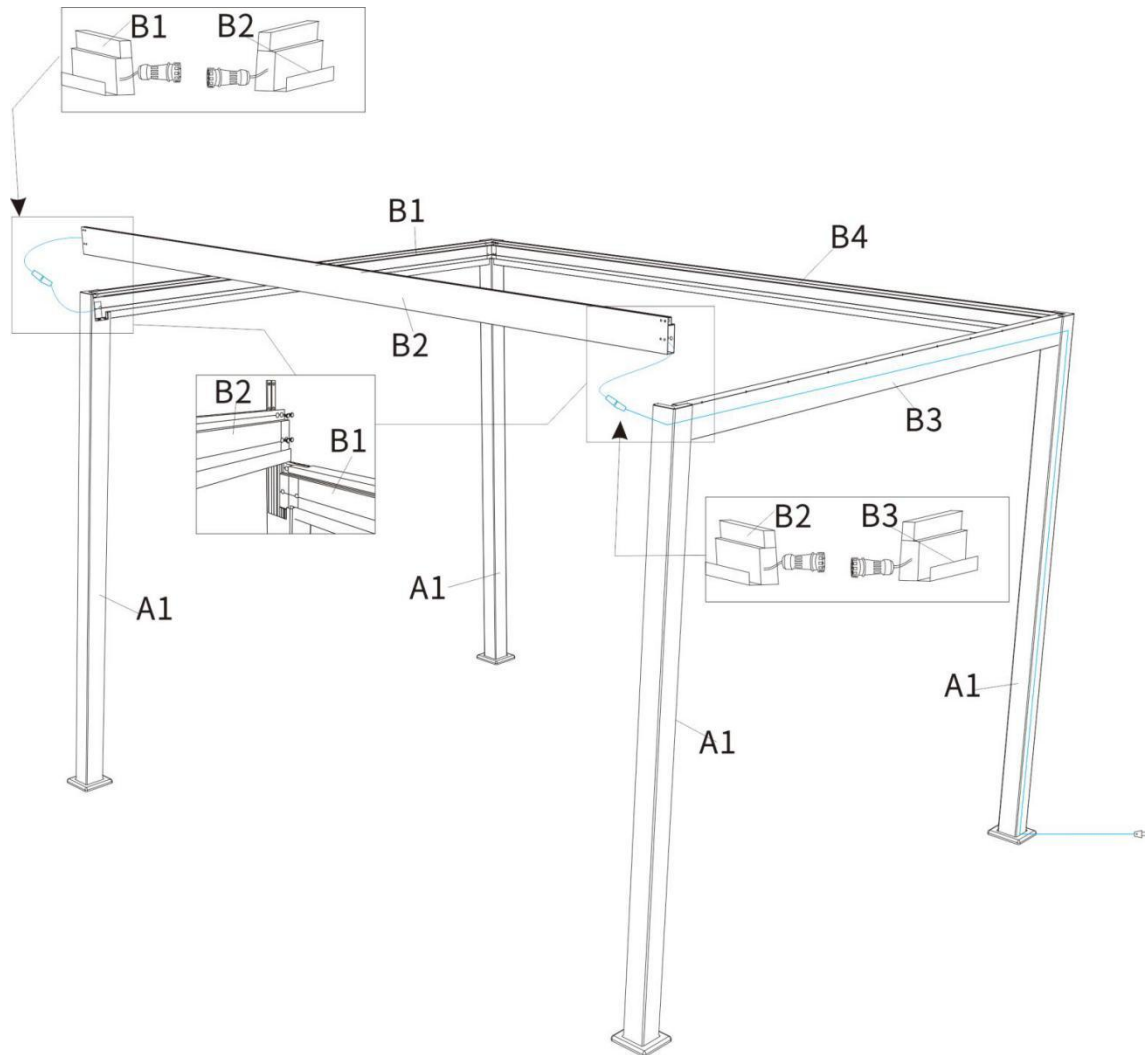
- Connect electric wire first, the main line passes through the bottom of post A1 and links the power plug of B1 and B4.
- Install beam B4 on post A1 as shown.



B4		1
----	---	---

### Step 3 : Install Beam B2

- Connect power plug of B1-B2 and B2-B3.
- Fix beam B2 to post A1.

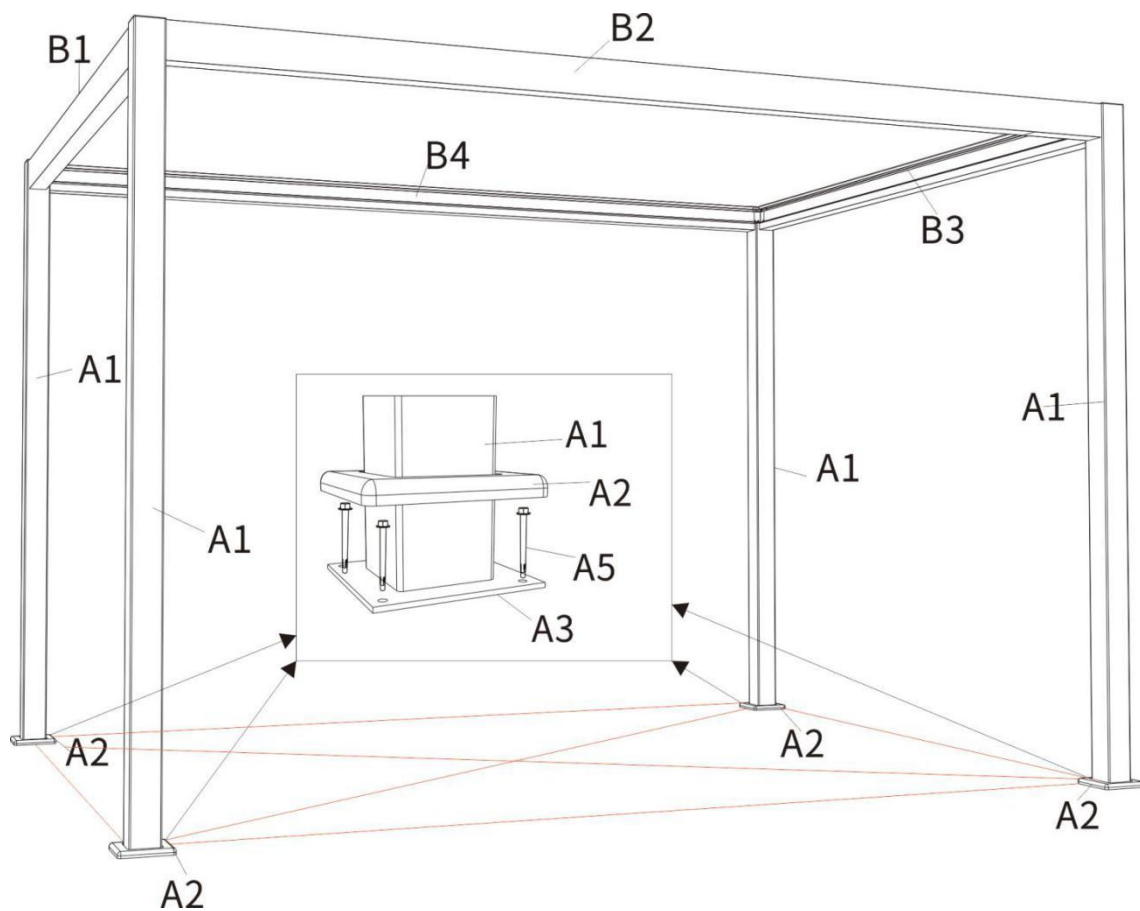


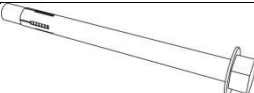
B2		1
----	---	---



#### Step 4 : Install Base footing plate A3.

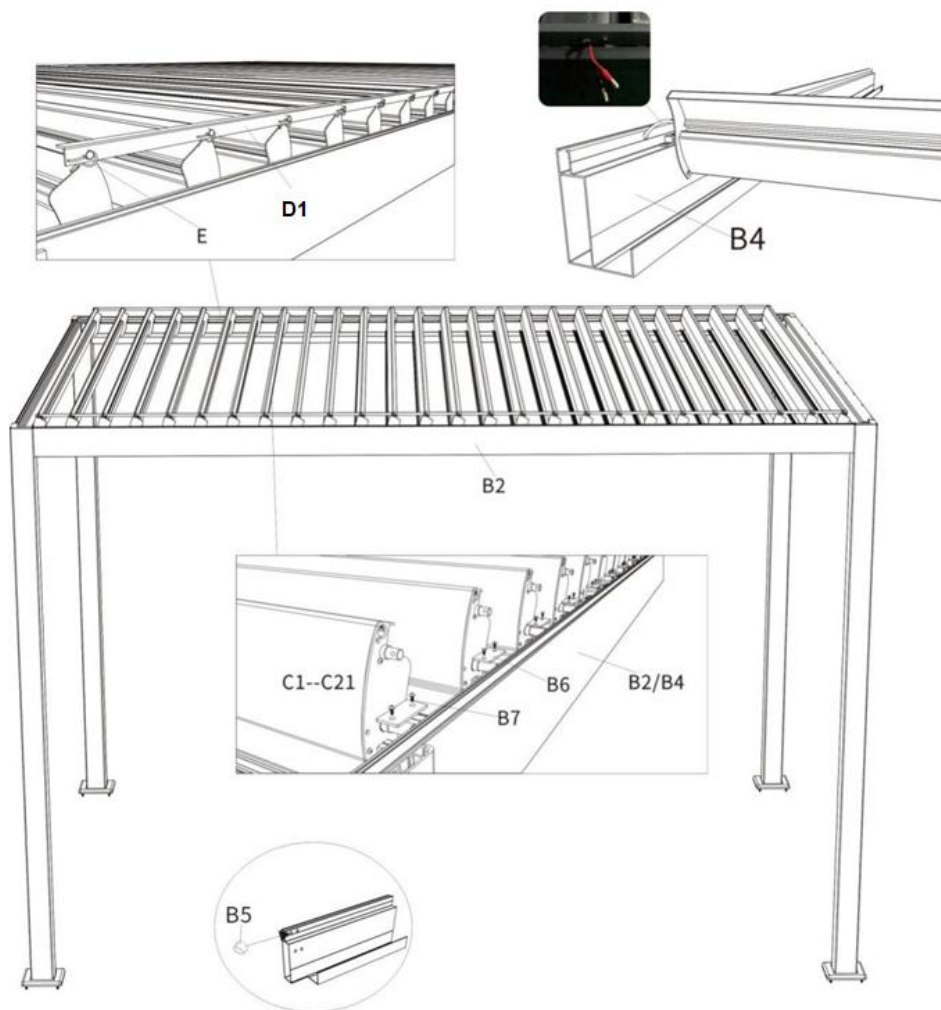
- Measuring base distance, make the parallel distances and the diagonal distances equal.
- Secure the base footing plate A3 with expansion bolt A5.









Parts code	Graphical	Qty
A5		16

### Step 5 : Install the Blade C1-C21.

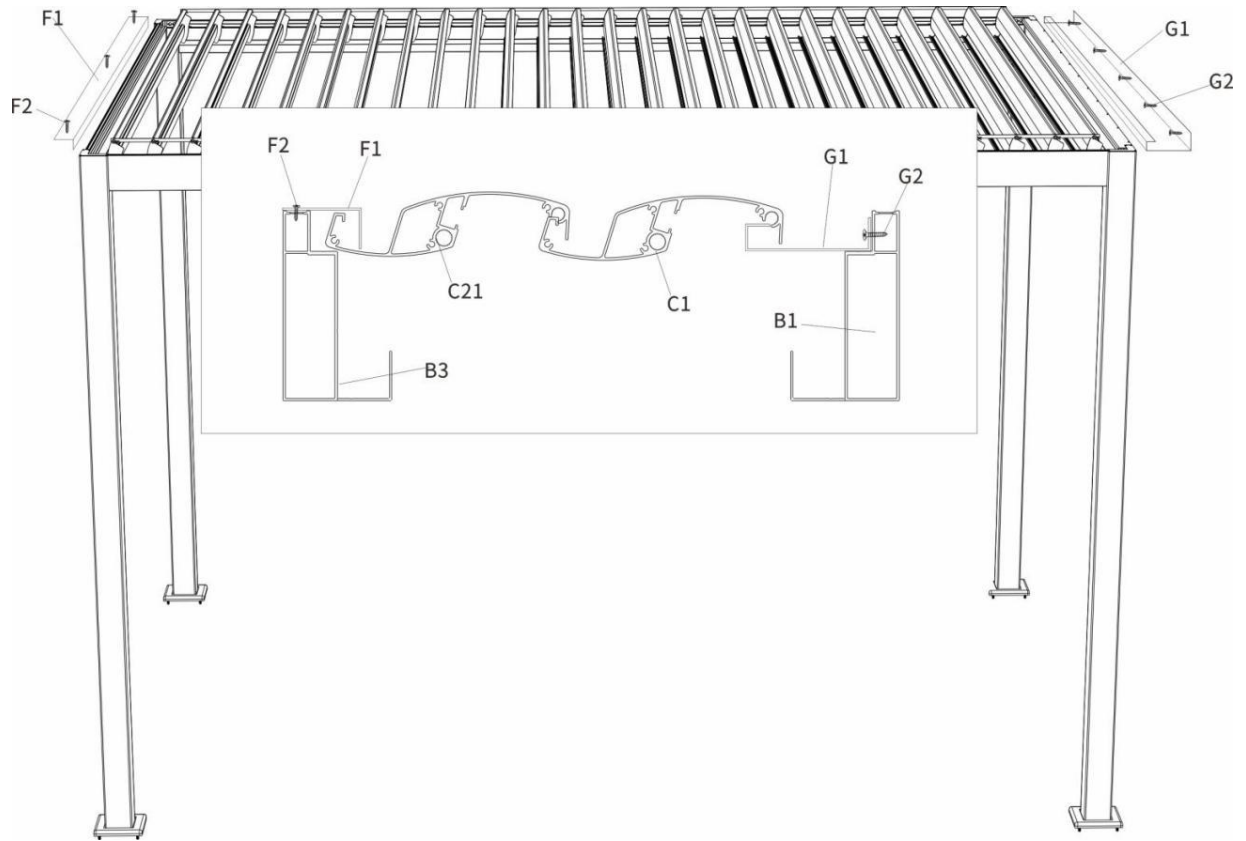
- Install the blades C1--C21 in sequence, and drill the sliding pin screw B7 into sliding pin B6 to fix it.
- Connect all the blades with L shape aluminum D1 & D2, and plug R-shape pin E as shown.
- Connect LED light: the light line passed through the beam B4 and connect the power line according to the same color.
- All screw hole plugs with small rubber plug B5.





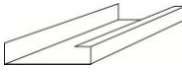

C1-C21		21
B5		40
B6		42

E		42
B7		84
D1		2

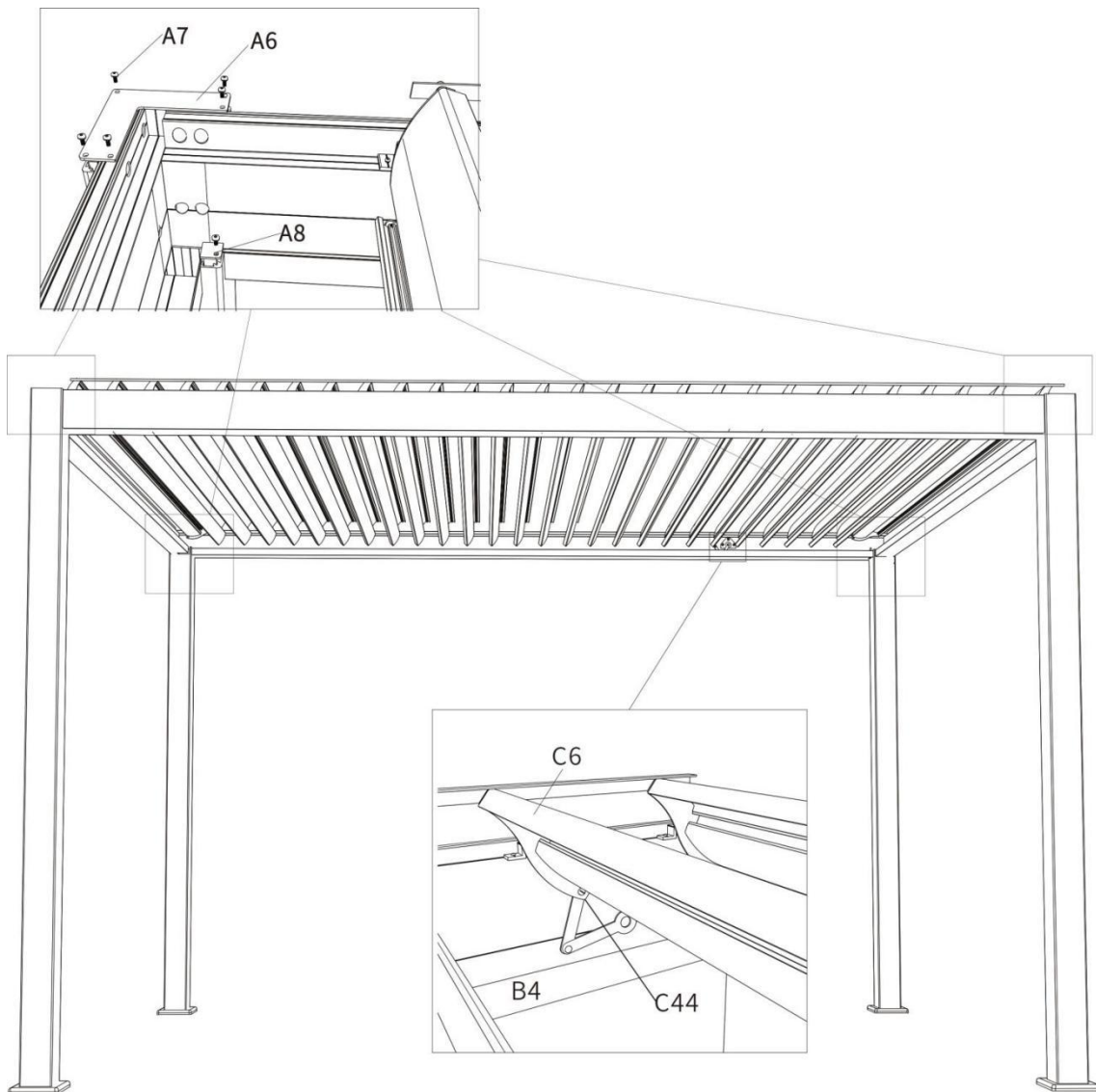
## Step 6: Install Front breakwater F1 and Rear breakwater G1

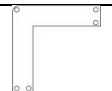
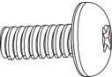


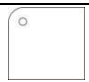
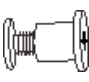
Parts code	Graphical	Qty
F1		1
F2		3

G1		1
G2		5

## Step 7: Install post cover A6

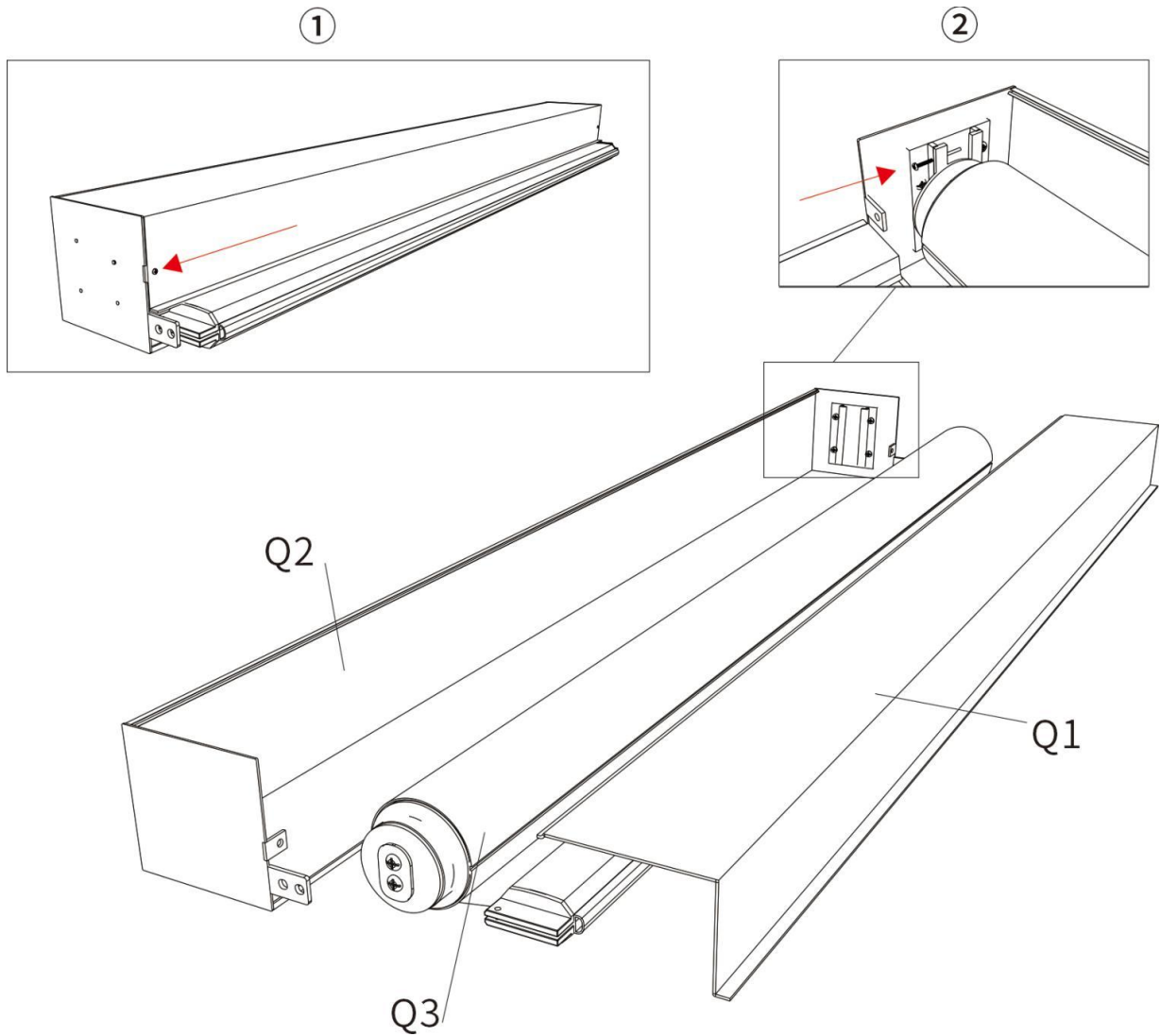


Parts code	Graphical	Qty
A6		4
A7		24

A8		4
C44		1

### Step 8: Separate Front cover Q1

- Remove the screws and open the Front cover Q1
- 2.Unscrew the two ends of Rolling fabric and motor Q3 and take Rolling fabric and motor Q3 out.

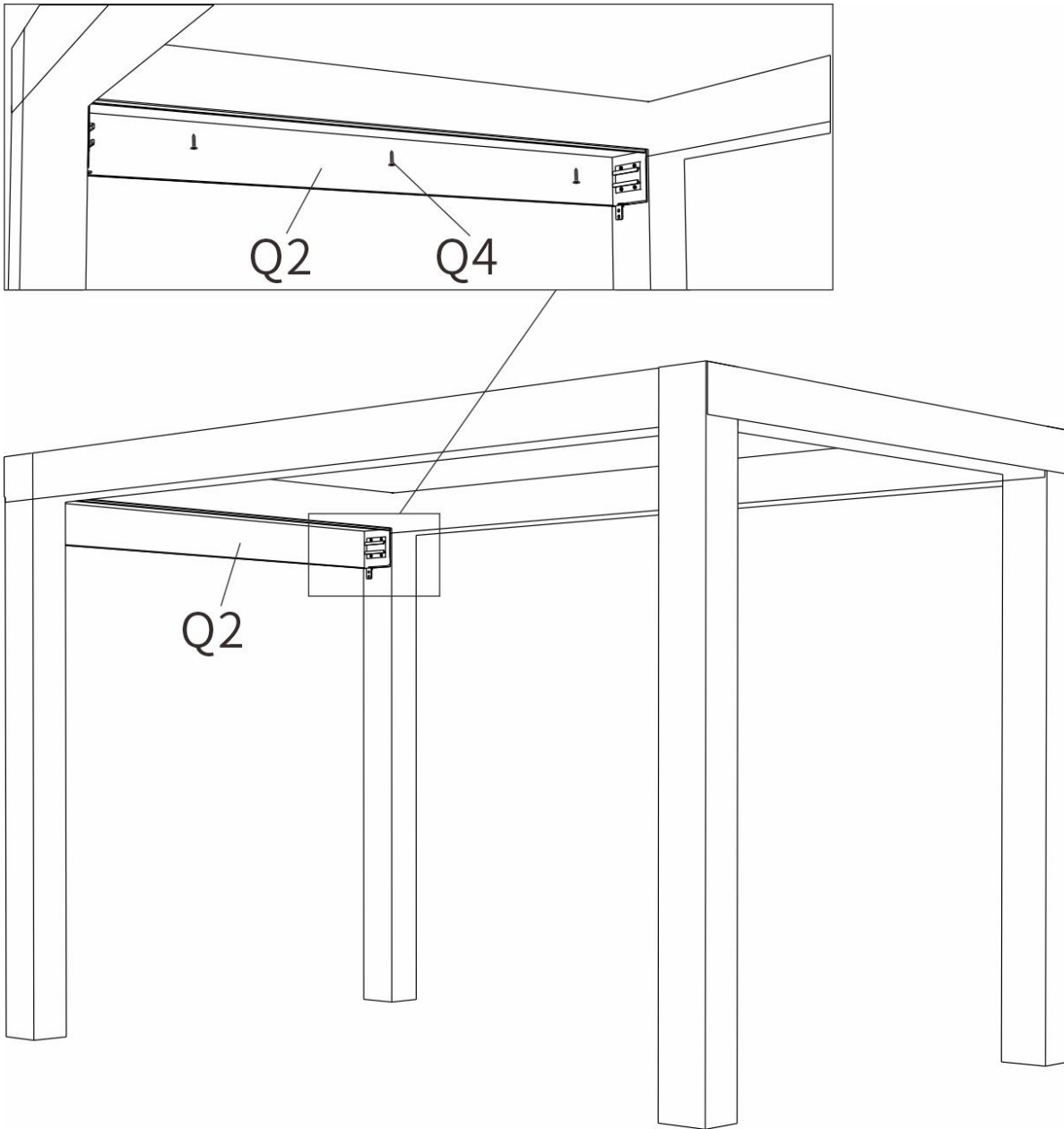



Parts code	Graphical	Qty
Q3		1

Q1		1
Q2		1

### Step 9: Install Rear cover Q2

- Install Rear cover Q2 and screw the screw on the Beam. (PS: please pay attention to installation direction, please make sure the protruding side of the iron is on the outside)

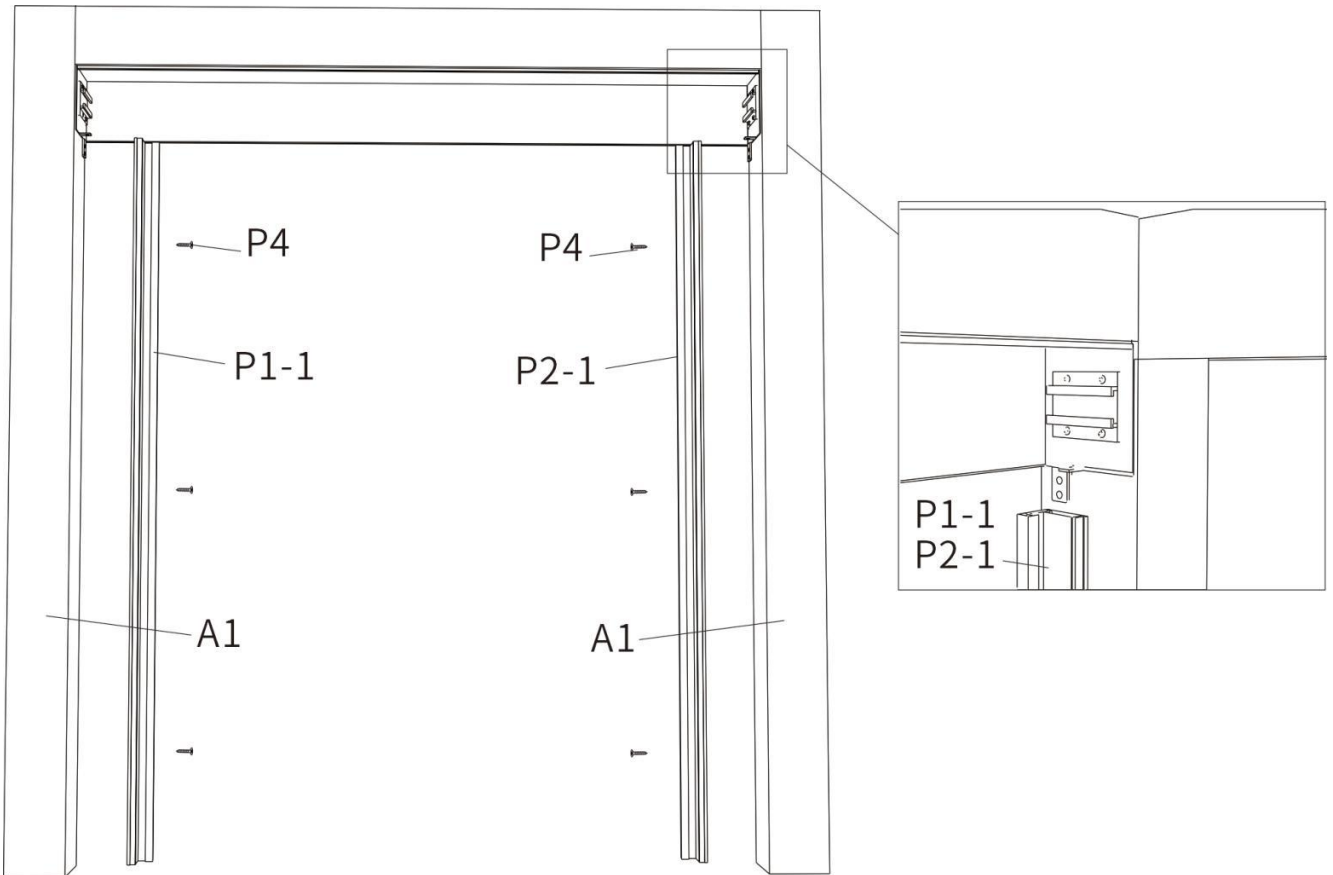


Parts code	Graphical	Qty
Q4		3

Q2		1

**Step 10: Install Left & Right side orbital P1-1 & P2-1.**

- Left & Right side orbital P1-1 & P2-1 are mounted on protruding iron blocks on both sides of the Rear cover Q2.
- Left & Right side orbital P1-1 & P2-1 screw 3pcs Screw for side orbital P4 in Post A1.

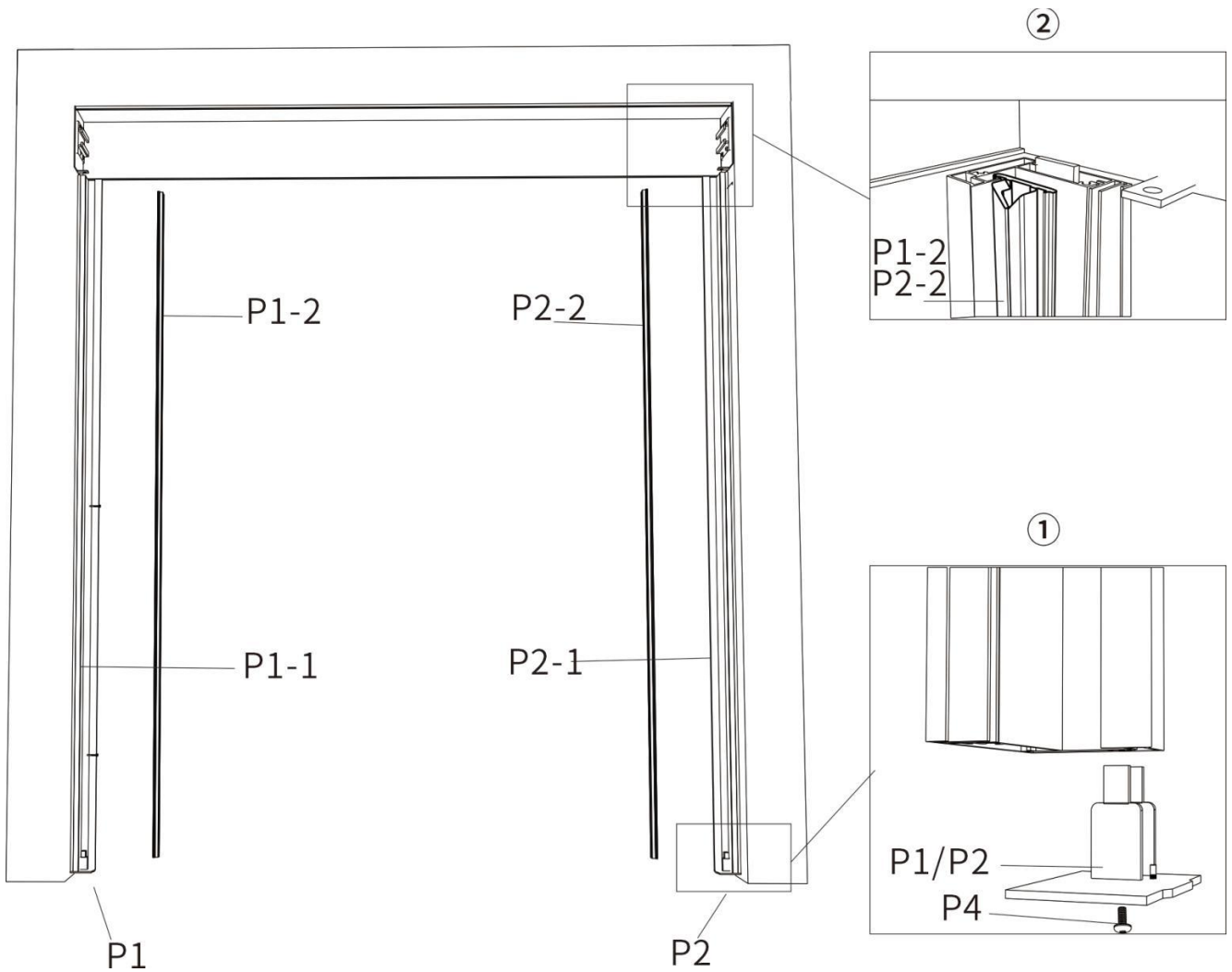


Parts code	Graphical	Qty
P1-1		1

P4		6
P2-1		1

**Step 11: Install Orbital Left & Right seal P1 & P2 and Left & Right side rubber tape P1-2 & P2-2.**

- Install Orbital Left & Right seal with Screw for side orbital P4.
- Install Left & Right side rubber tape P1-2 & P2-2 on Left & Right side Orbital P1-1 & P2-1. PS: The Left & Right side rubber tape P1-2 & P2-2 of the gap on the top.



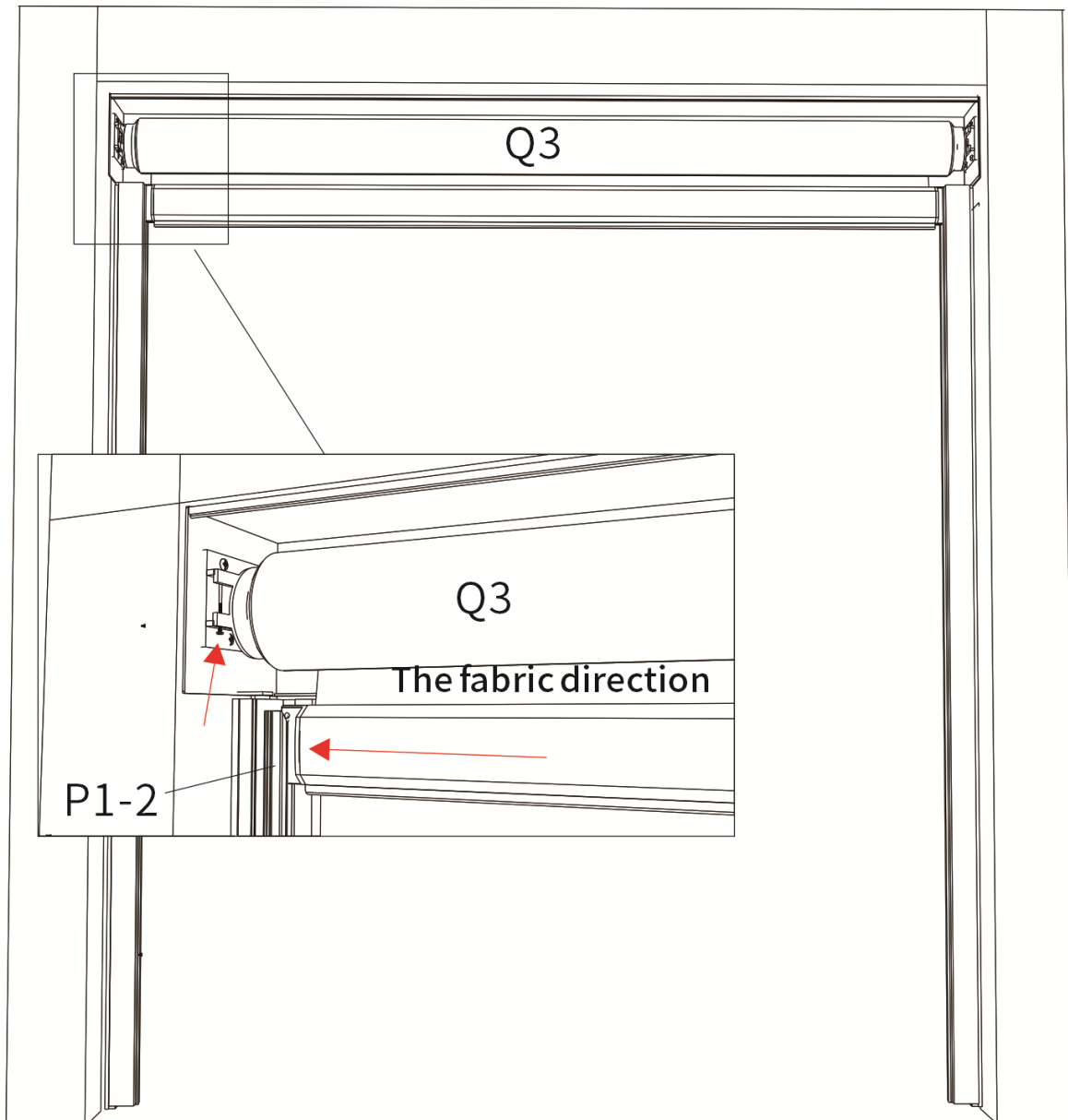
Parts code	Graphical	Qty
P1		1
P4		2


P2-2		1
P2		1
P1-2		1



## Step 12: Install Rolling fabric and motor Q3.

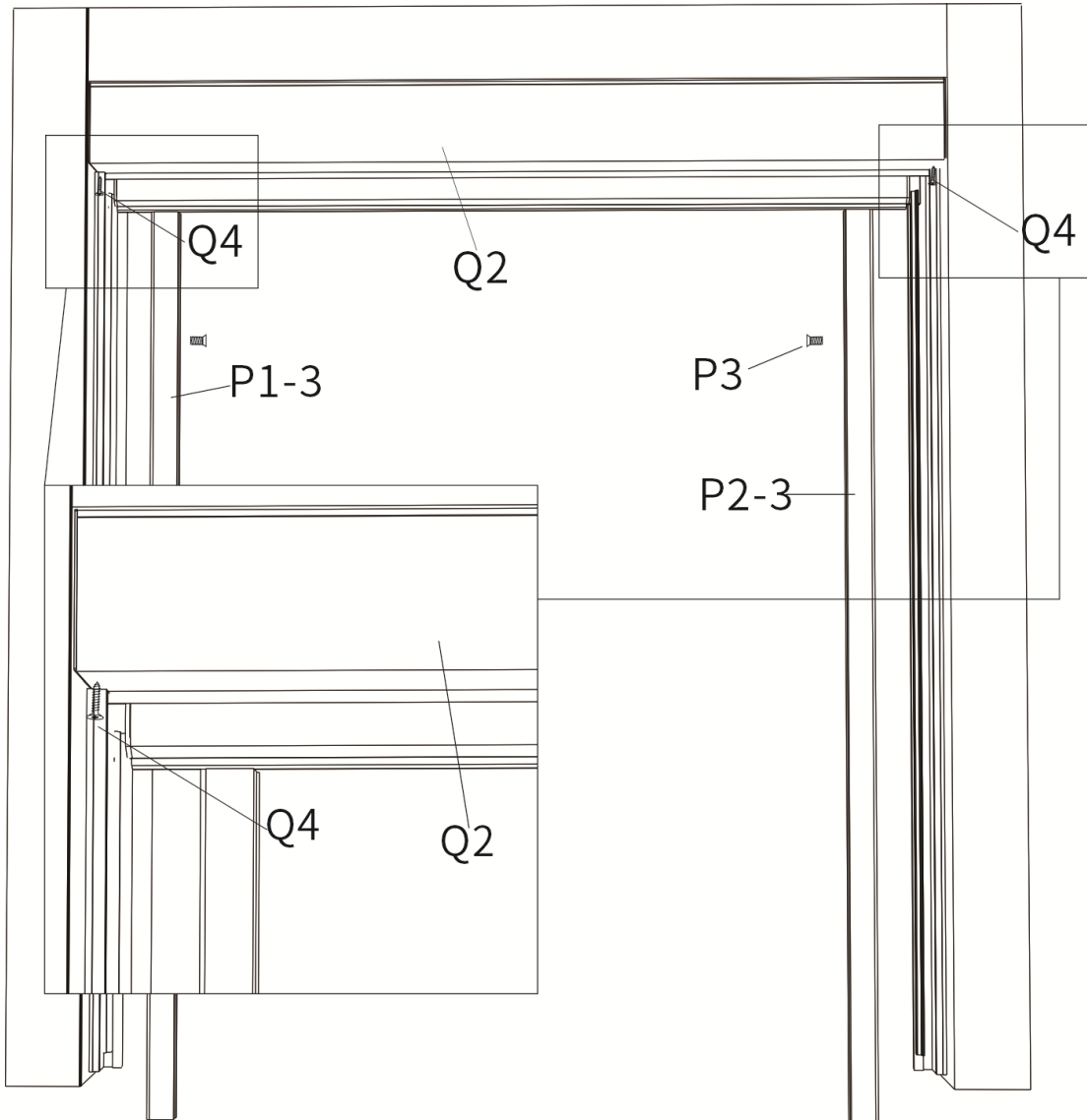
- Install Rolling fabric and motor Q3, The fabric faces inward; Clip the fabric into Left & Right side rubber tape P1-2 & P2-2.
- Screw left and right sides of Rolling fabric and motor Q3.



Parts code	Graphical	Qty
Q3		1

**Step 13: Install Left & Right side orbital cover P1-3 & P2-3 and Front cover Q1.**

- Install the Left & Right side orbital cover P1-3 & P2-3 , tap it with a small plastic hammer J; Secure with Screw for side orbital cover P3.
- Install Front cover Q1 and secure it with Cover screw Q4.



Parts code	Graphical	Qty
P1-3		1
Q4		2

P3		2
P2-3		1
Q1		1

**Step 14: Connect electric wire.**

