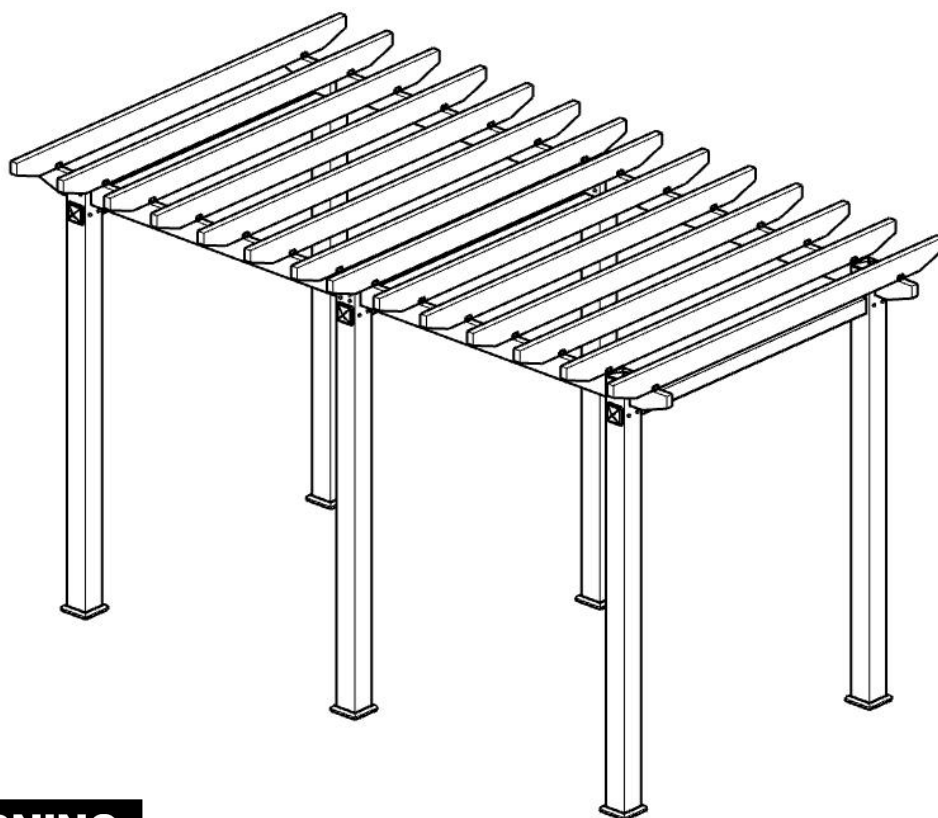


MODEL TMG-LPA20

10ft x 20ft Aluminum Louvred Pergola



⚠ WARNING



- Please read and understand the product manual completely before assembly
- Check against the parts list to make sure all parts are received
- Wear proper safety goggles or other protective gears while in assembly
- Do not return the product to dealer. They are not equipped to handle your requests.

Missing parts or questions on assembly?

Please call: 1-877-761-2819 or email: cs@tmgindustrial.com

Main Specifications :

- Overall assembled size : W5.98 x L2.94x H3.00(m) / 19'3x 9'7 x 9'8 (ft)

Prior to assembly

Please read the instructions carefully before installation. It is important to follow your local safety regulations and industry standards during installation.

Regulations may include but are not limited to :

- Safety helmets, protective eyewear, and clothing.
- Safety harnesses for all elevated workers.
- Proper ladder, cage, and safety operation.

Check all components and parts before installation. All parts are marked with a part number, please refer to the parts list to make sure you have all parts.


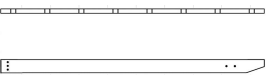






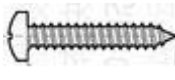







Choose a day with low or no wind to install, assembly is hard in heavy wind. Do not make any alterations to the structure. Do not hang any weights on the frame during installation, including parts. We are not responsible for any damages or injuries caused by inappropriate installation, unauthorized modifications or extreme weather.

This building is not intended for human occupancy.

It is recommended to glue on the frame end where it touches the cover. This will help extend the life span of the cover.

Read the following item list carefully and count the number of items to ensure that all parts are included prior to setup.

TMG-LPA20 Part List

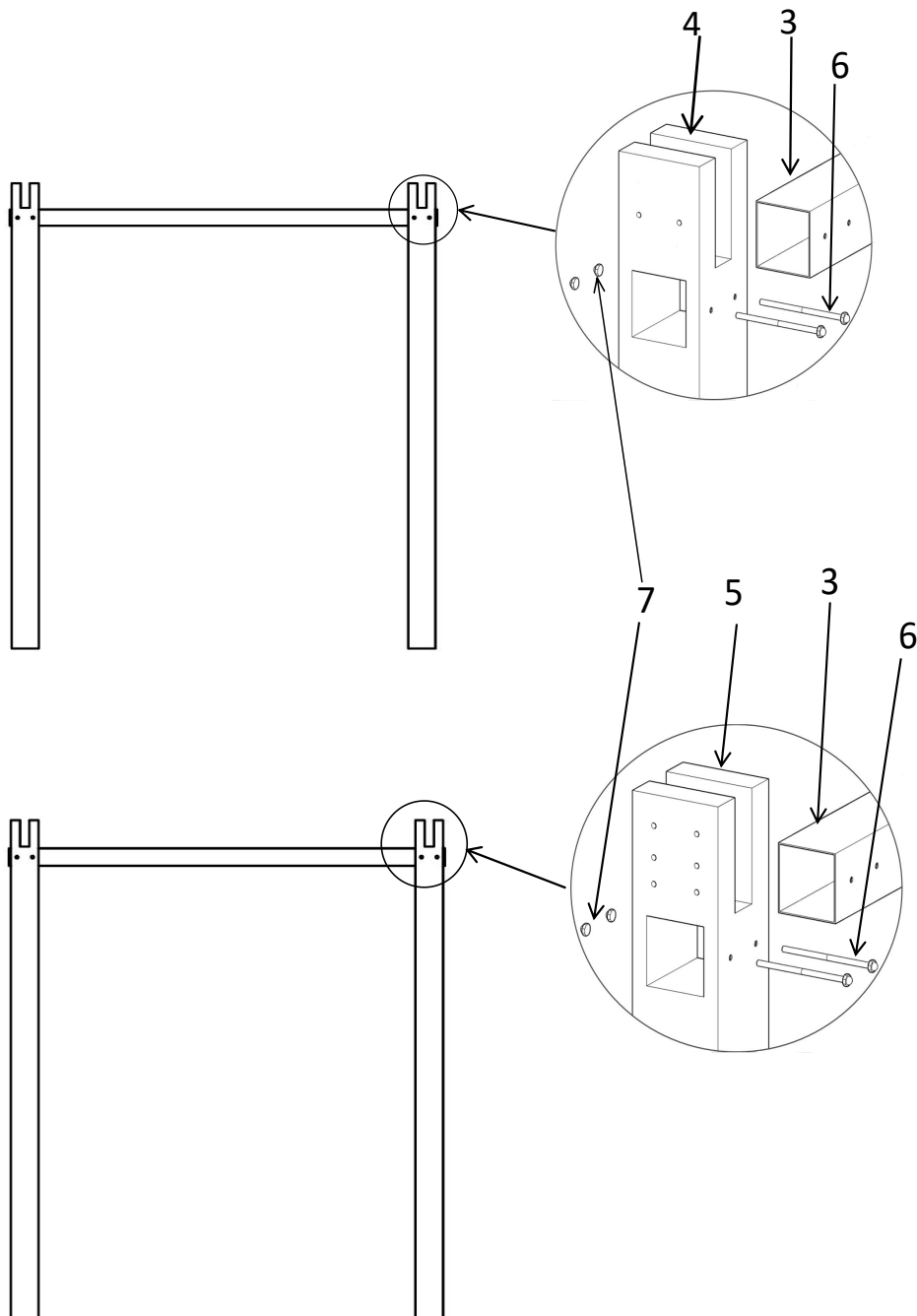
Parts code	Graphical	Description	Length	Qty
①		Lattice tube	150x50x2940mm	14
②		Beam tube	150x50x2940mm	4
③		Short beam tube	100x100x2360mm	3
④		Post	150x150x2868mm N	4
⑤		Middle Post	150x150x2868mm	2
⑥		SS bolt	M10x170	40
⑦		SS nut	M10	80
⑧		Base	140mm*140mm	6
⑨		Screw	M4.2*16mm	92
⑩		Screw	M5*19mm	112
⑪		Bracket	40mm*55mm	28
⑫		Cover	150mm*150mm	6
⑬		Expansion bolt	M10*100mm	24
⑭		Tool	M4.2	1
⑮		Tool	M5	1
⑯		Waterproof cover	150mm*150mm	12

Installation steps

Step 1 : Fix short beam into the posts with bolts. Insert each short beam 4'' (#3) into two posts with bolts.

Parts used in this step:

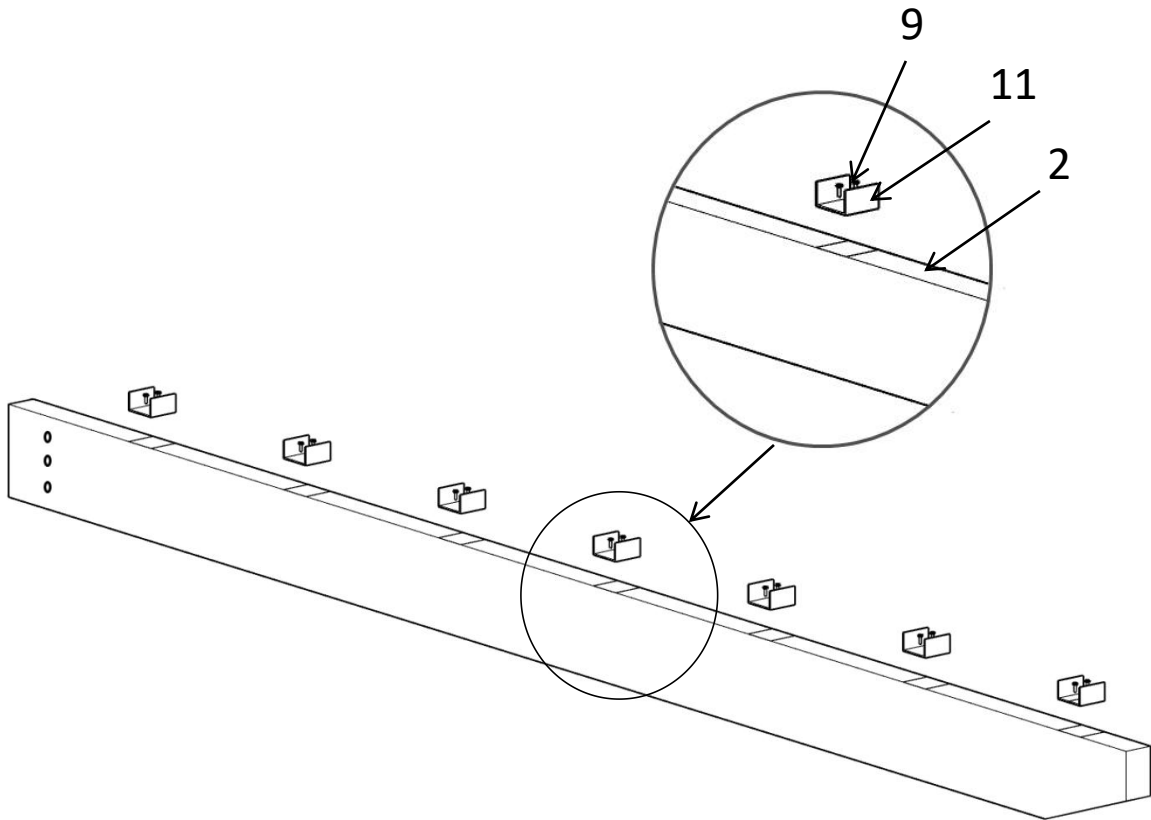
- (4) Posts (#4)
- (2) middle Posts (#5)
- (3) Short beam (#3)
- (20) Bolts (#6)
- (40) Bolts nuts (#7)



Step 2 : Fix brackets to beams with screws.

Parts used in this step:

- (4) Beam tube (#2)
- (56) Screw (#9)
- (28) Bracket (#11)

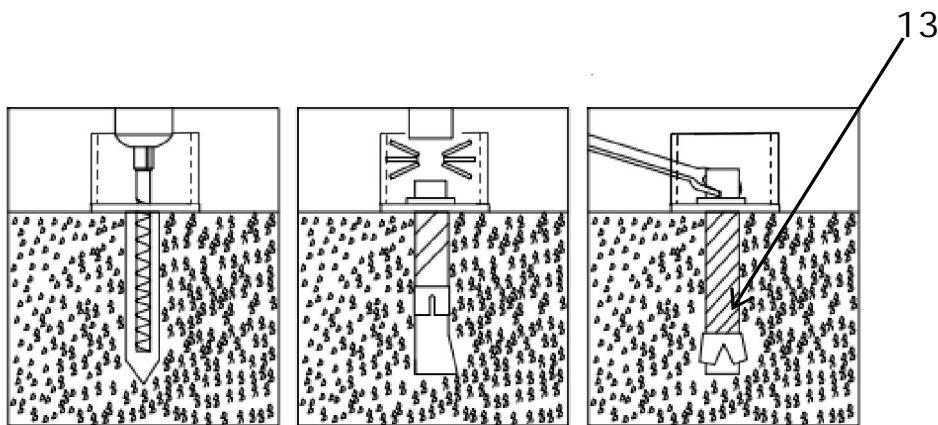
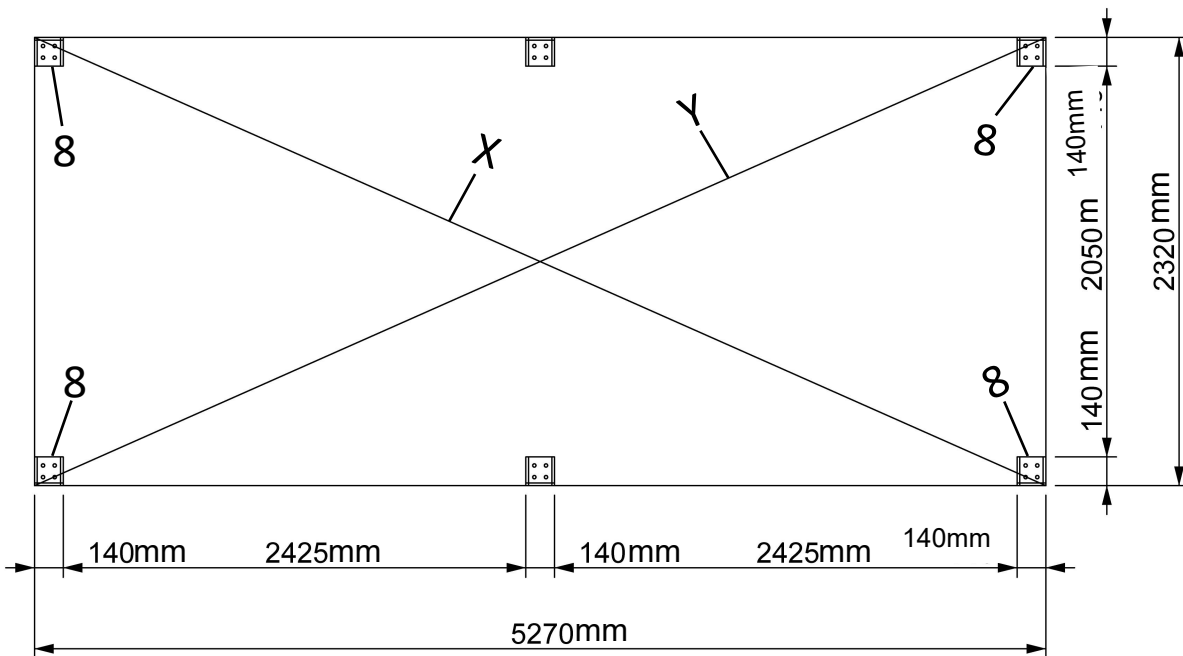


Step 3 : Mark the ground in the final building location with a line showing the positions of base plates. All lines should be drawn from center to center of all baseplate tubes. Diagonal line X must be equal to Y.

Baseplates: all baseplates must be installed firmly with expansion bolts (#12) on this step (refer to figure1).

Parts used in this step:

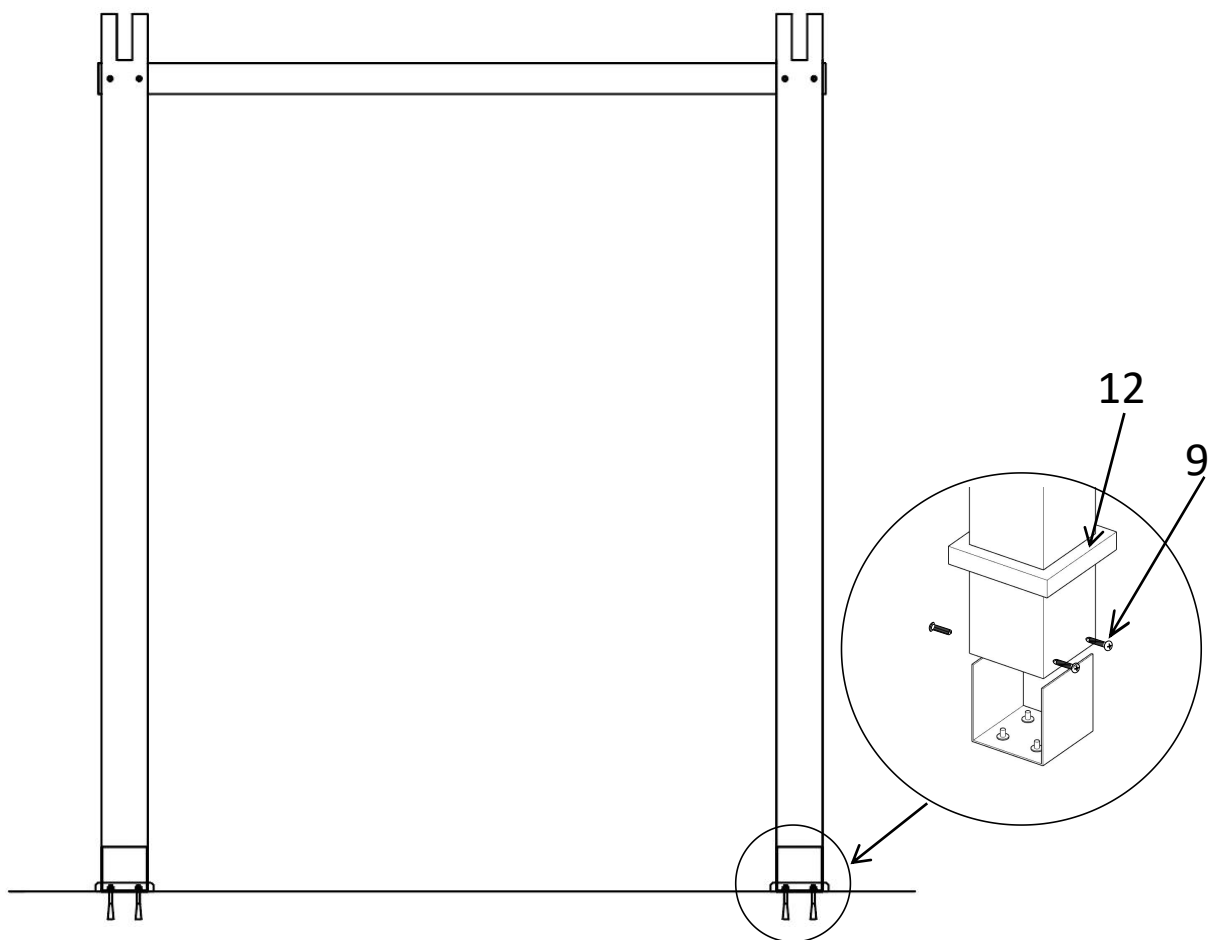
- (6) Base (#8)
- (24) Expansion bolt (#13)



Step 4 : Put cover to each post from bottom, then fix post frame to baseplate.

Parts used in this step:

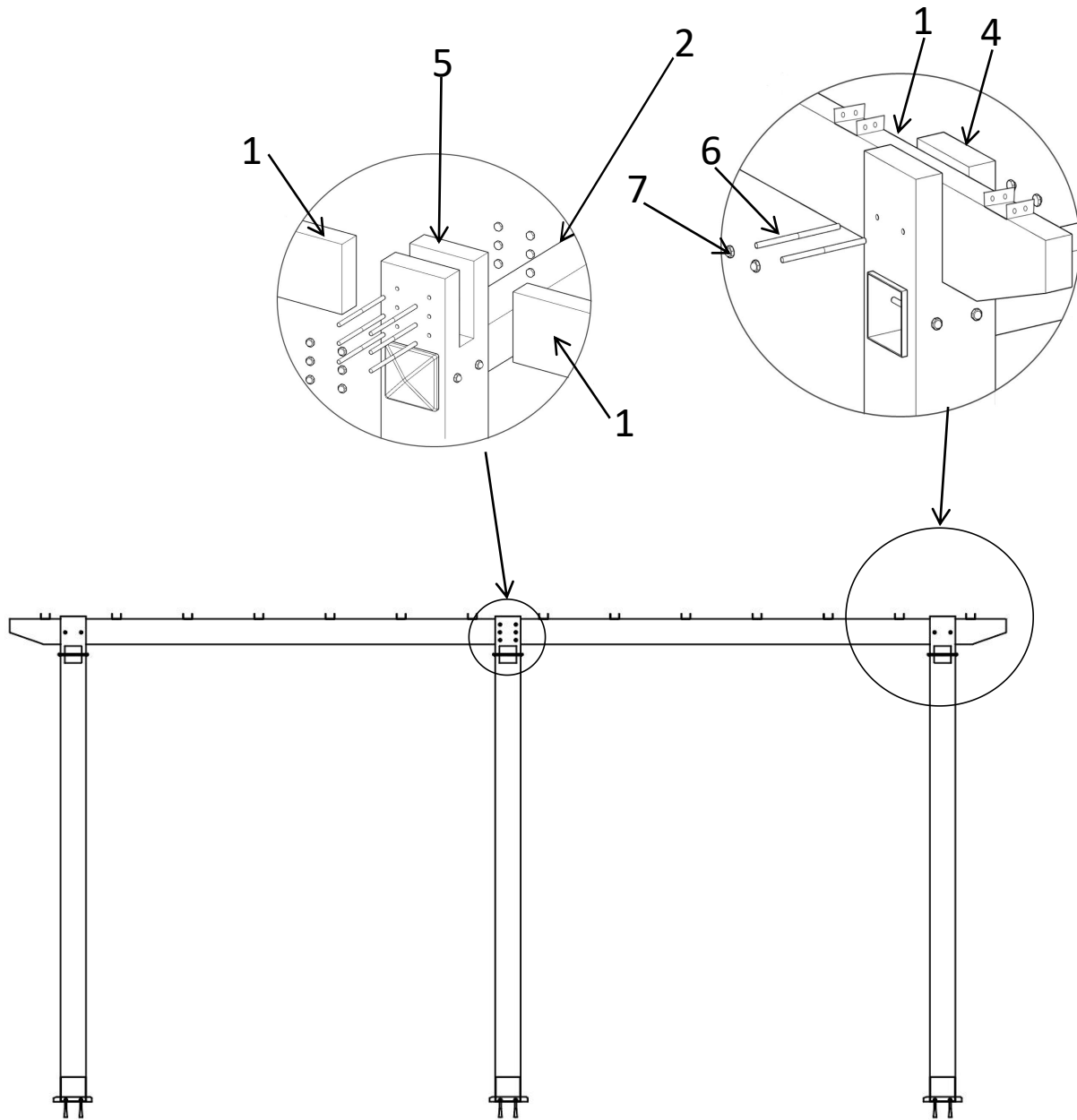
- (6) Cover (#12)
- (24) Screw (#9)



Step 5: Fix beams into posts and fasten with bolts.

Parts used in this step:

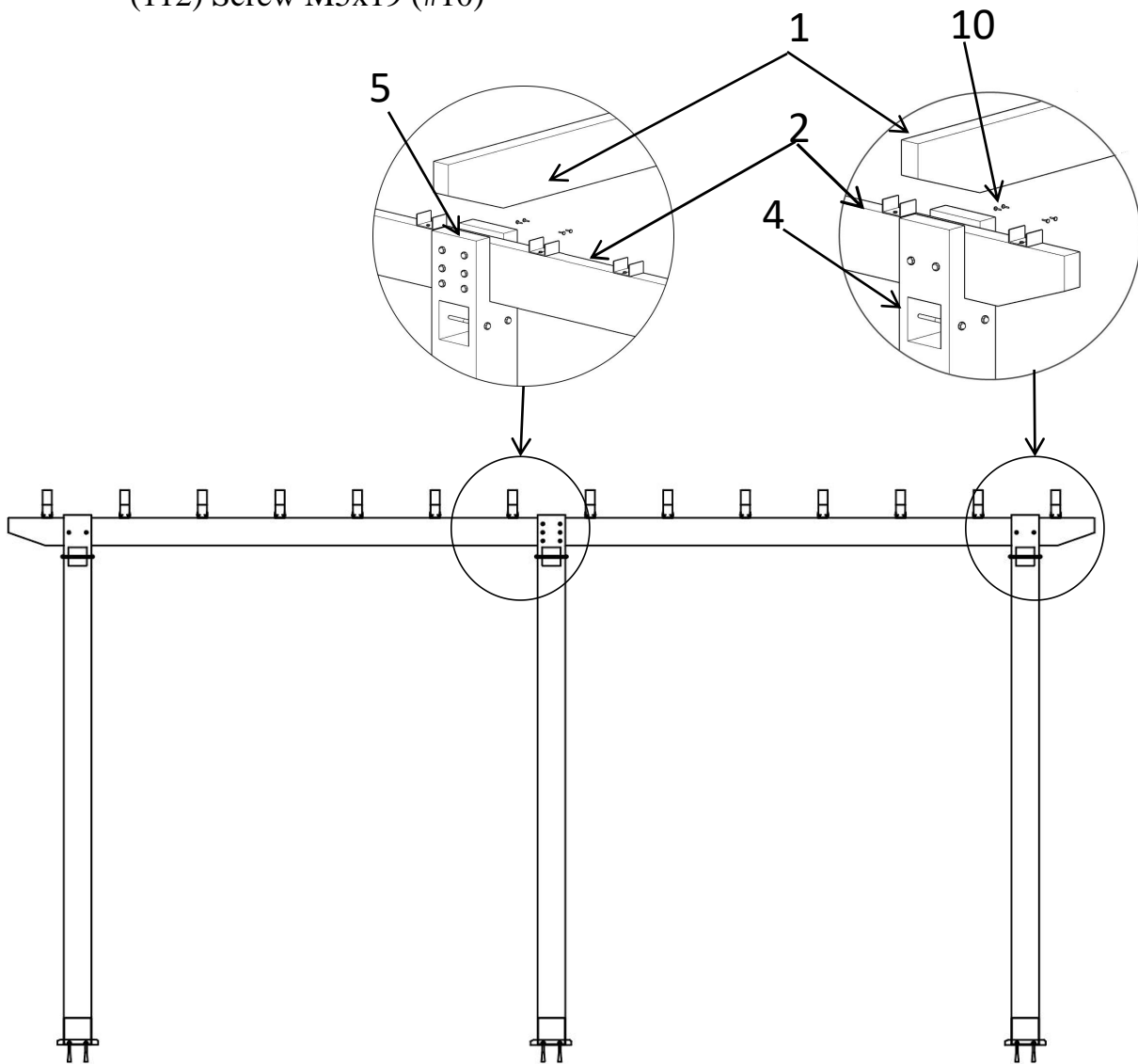
- (20) Bolts (#6)
- (40) Bolts nuts (#7)



Step 6 : Fix lattices to beams with screws.

Parts used in this step:

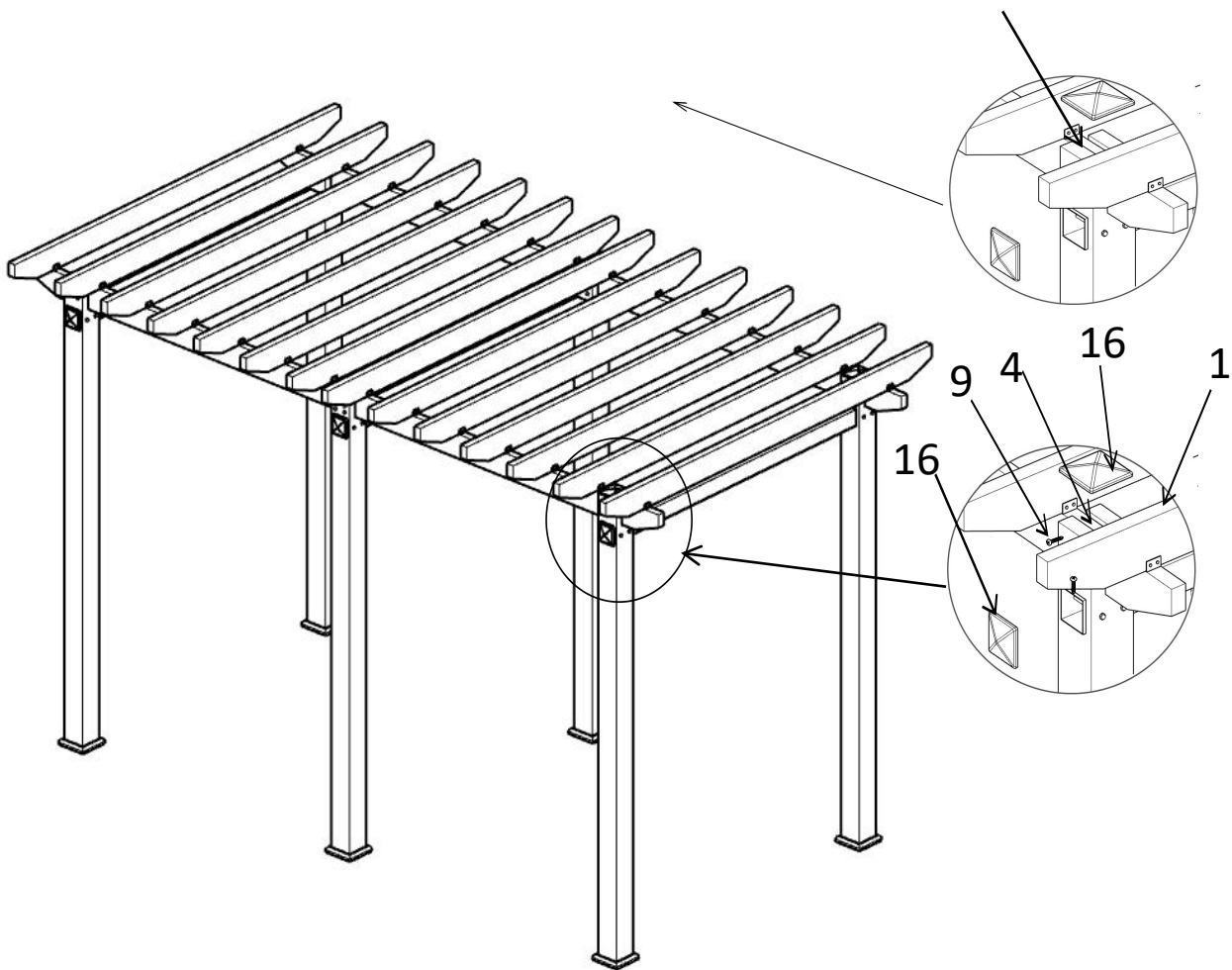
- (14) Lattice tube (#1)
- (112) Screw M5x19 (#10)



Step 7: Fix cap to posts and short beams. Then fix the posts to base plates with screws.

Parts used in this step:

- (12) Waterproof cover (#16)
- (12) Screw 4.2x16mm (9)



After the Installation

Walk around and inspect the shelter periodically to make sure all components are still firmly secured and the whole shelter is well supported. Check all bolts and nuts as well as all connection points to make sure they are all in good position. Check the base plates, adjust the ropes and tie downs if required and clean the cover regularly. Snow accumulating on the structure roof must be removed as soon as possible. If snow becomes solid ice on the cover, it will increase the weight on the roof and may bending.